

US00D492703S1

(12) **United States Design Patent**
Kuroki

(10) **Patent No.:** **US D492,703 S**

(45) **Date of Patent:** **** Jul. 6, 2004**

(54) **SEWING MACHINE**

(75) **Inventor:** **Nobufusa Kuroki, Tokyo (JP)**

(73) **Assignee:** **Janome Sewing Machine Co., Ltd.,
Tokyo (JP)**

(**) **Term:** **14 Years**

(21) **Appl. No.:** **29/194,447**

(22) **Filed:** **Nov. 25, 2003**

(30) **Foreign Application Priority Data**

May 26, 2003 (JP) 2003-014540

(51) **LOC (7) Cl.** **15-06**

(52) **U.S. Cl.** **D15/69**

(58) **Field of Search** D15/66, 69; 112/63,
112/258-261, 217.1-217.4, 404, 470.04,
102.5, 445

(56) **References Cited**

U.S. PATENT DOCUMENTS

6,016,759 A * 1/2000 Russell 114/39.21
D450,720 S * 11/2001 Kuroki D15/69
D450,722 S * 11/2001 Kawaguchi D15/69

D459,737 S * 7/2002 Kuroki D15/69
D460,765 S * 7/2002 Kuroki D15/69
D472,562 S * 4/2003 Yamamoto et al. D15/69
D474,208 S * 5/2003 Kawaguchi D15/69
D481,739 S * 11/2003 Iwai D15/69
D483,774 S * 12/2003 Kuroki D15/69

* cited by examiner

Primary Examiner—Mitchell Siegel

(74) *Attorney, Agent, or Firm*—McGinn & Gibb, PLLC

(57) **CLAIM**

The ornamental design for a sewing machine, as shown and described.

DESCRIPTION

FIG. 1 is a perspective view of a sewing machine showing my design;
FIG. 2 is another perspective view thereof;
FIG. 3 is a front elevational view thereof;
FIG. 4 is a rear elevational view thereof;
FIG. 5 is a top plan view thereof;
FIG. 6 is a bottom plan view thereof;
FIG. 7 is a right side elevational view thereof; and,
FIG. 8 is a left side elevational view thereof.

1 Claim, 8 Drawing Sheets

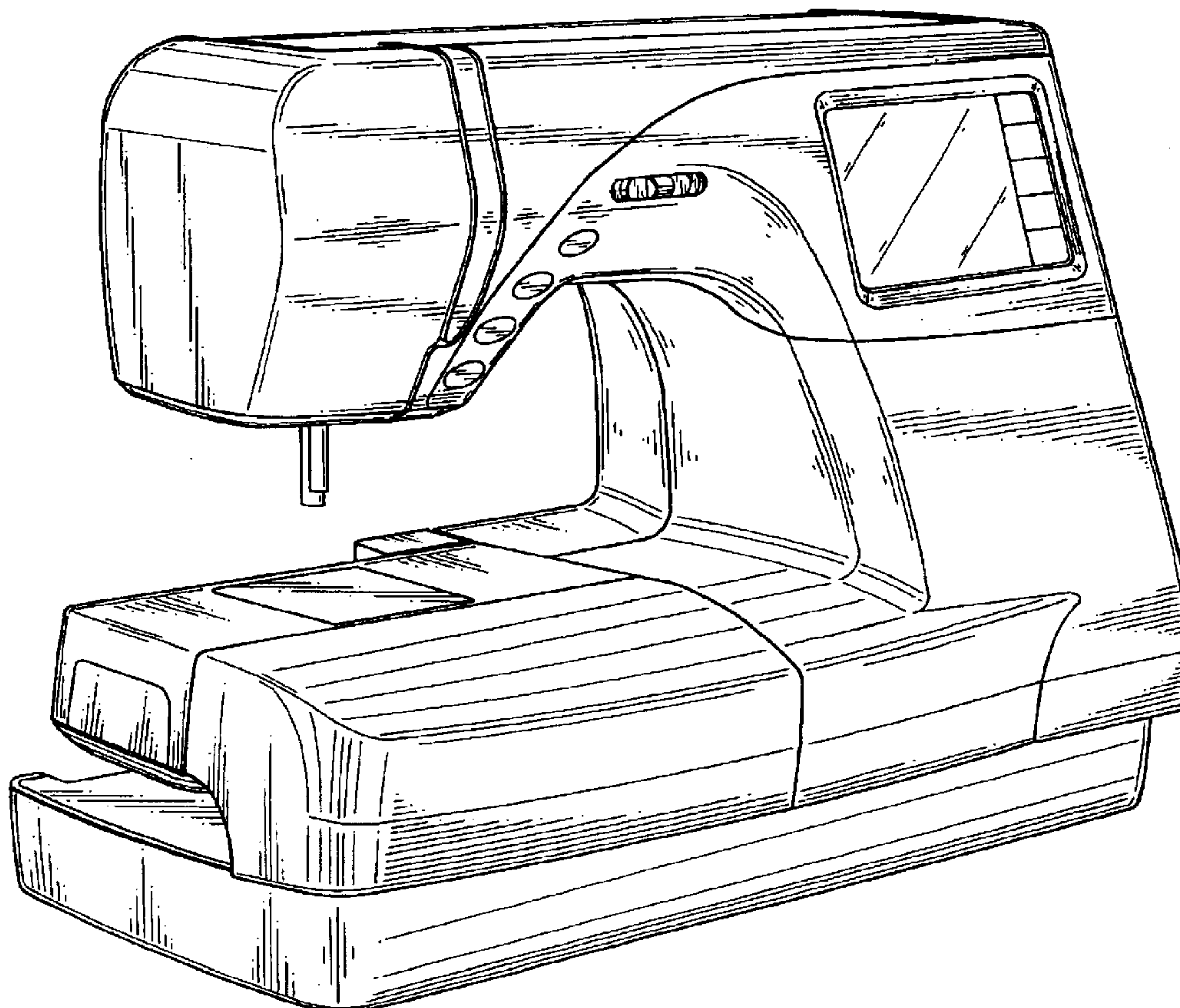


FIG. 1

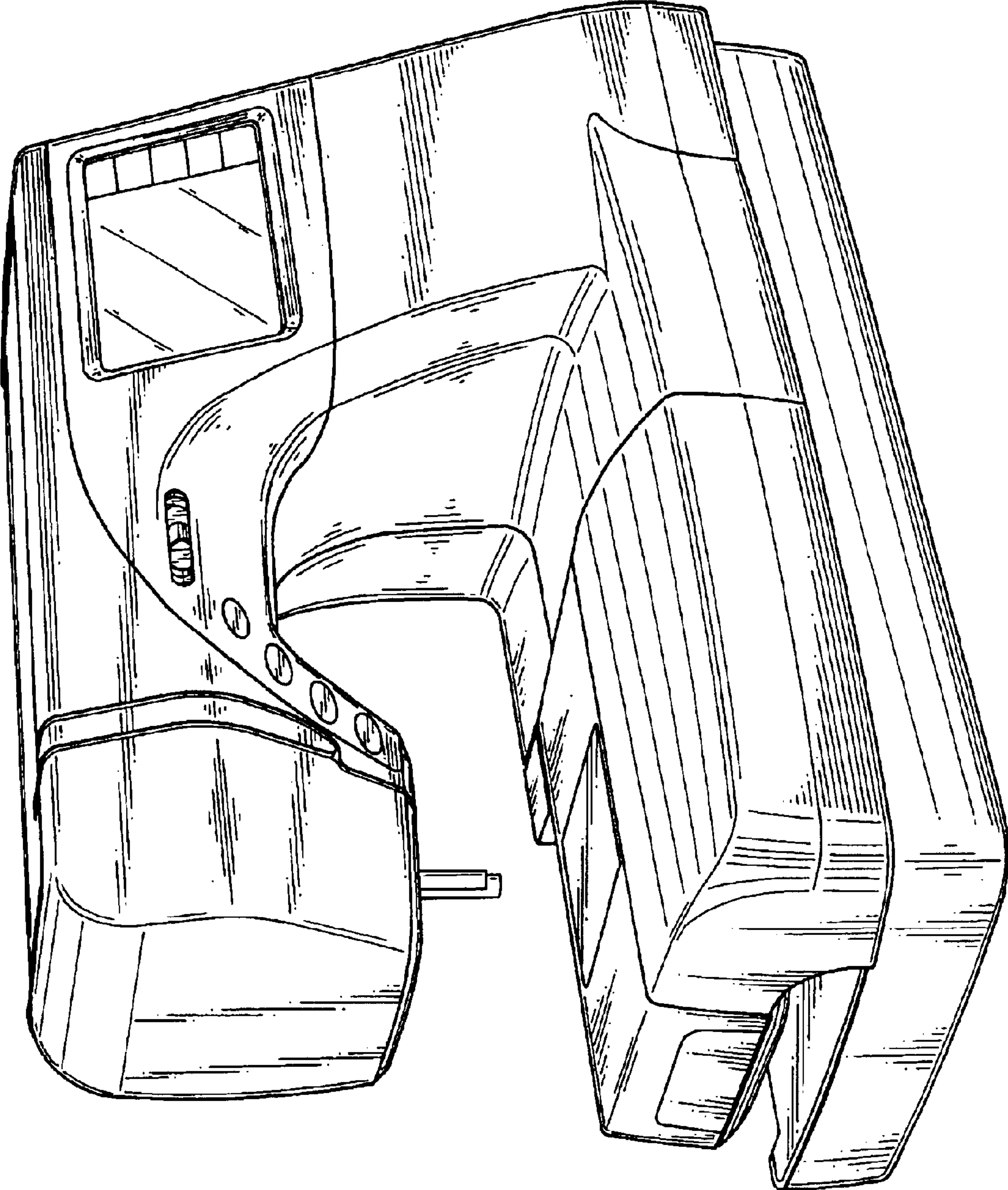


FIG. 2

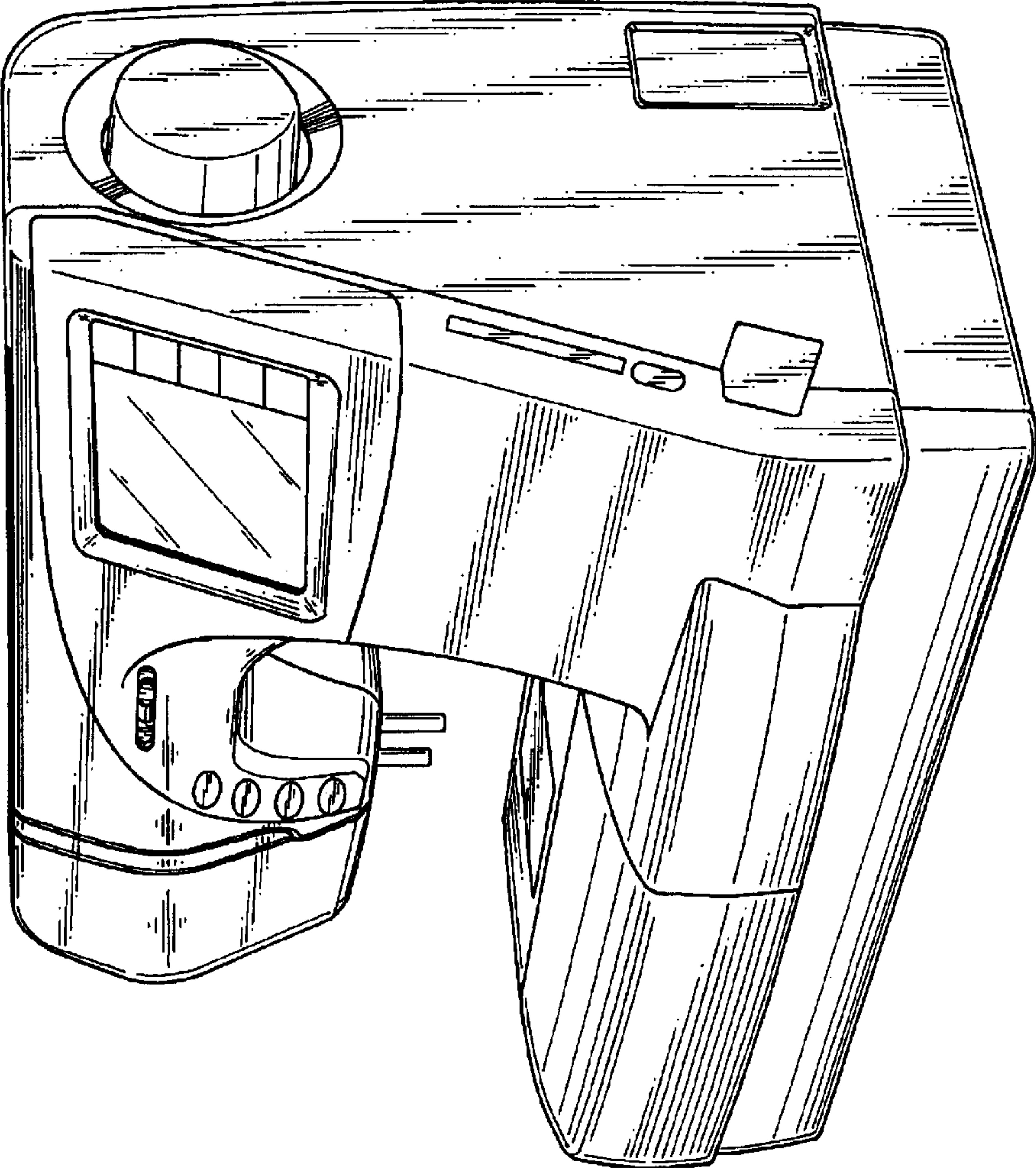


FIG. 3

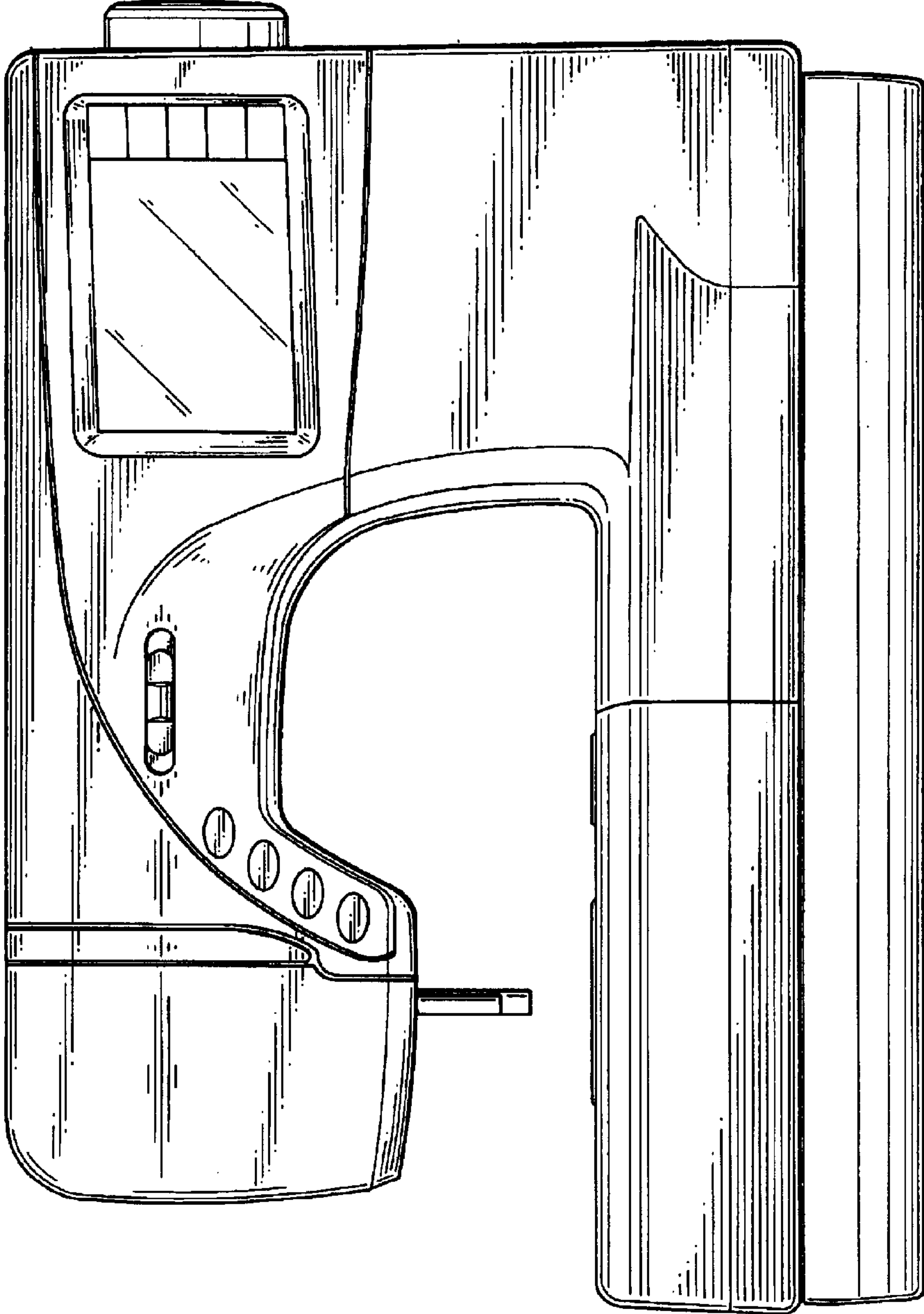


FIG. 4

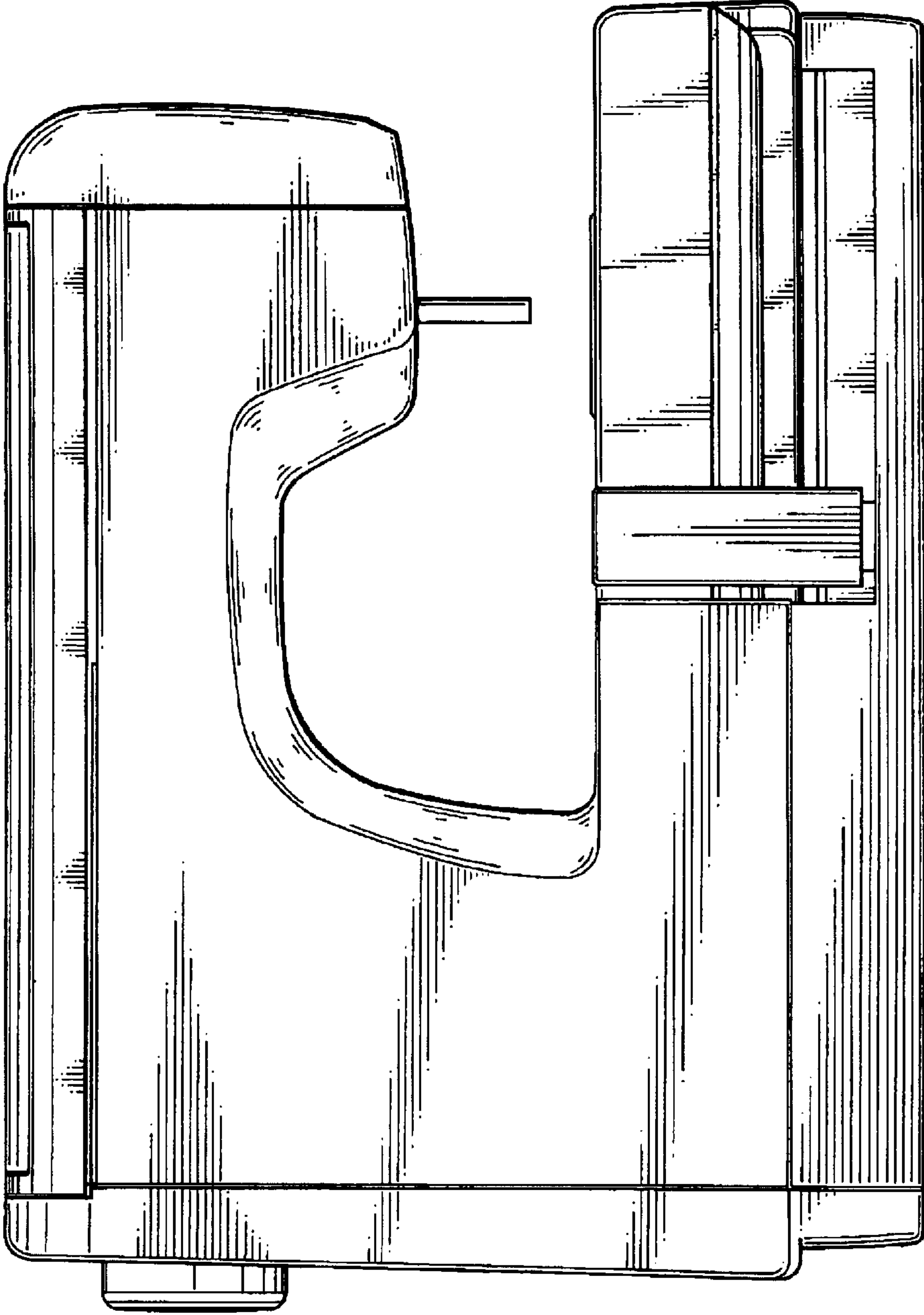


FIG. 5

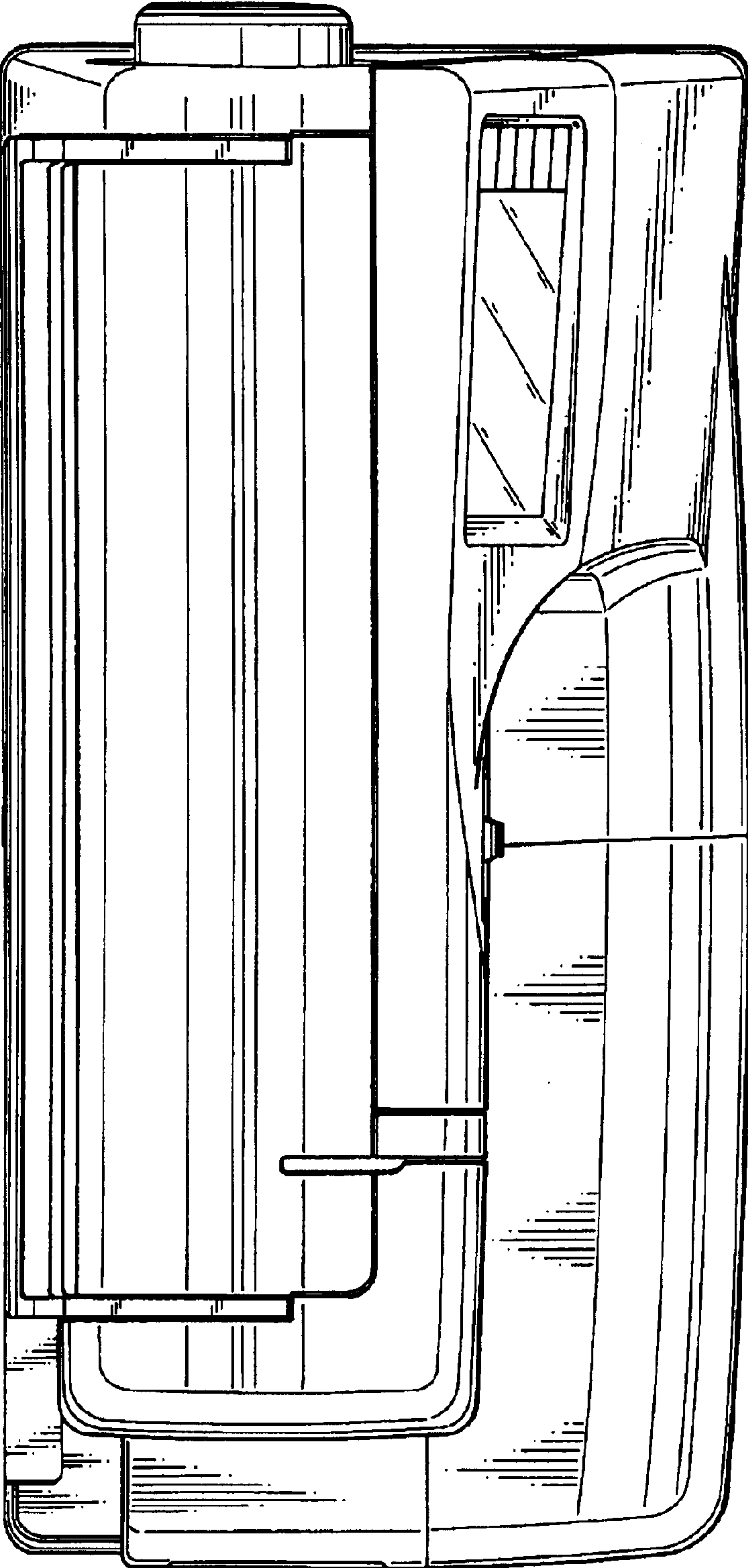


FIG. 6

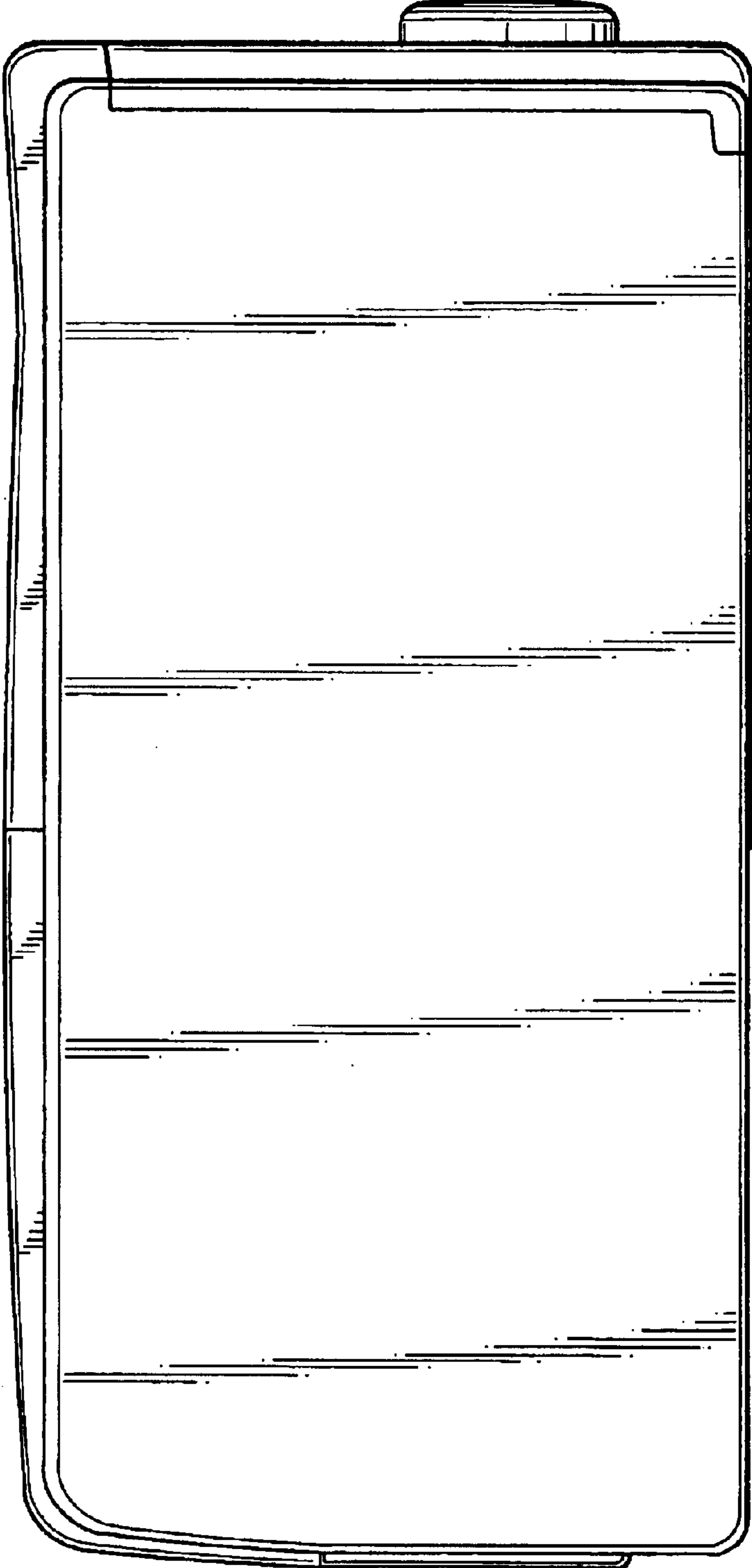


FIG. 7

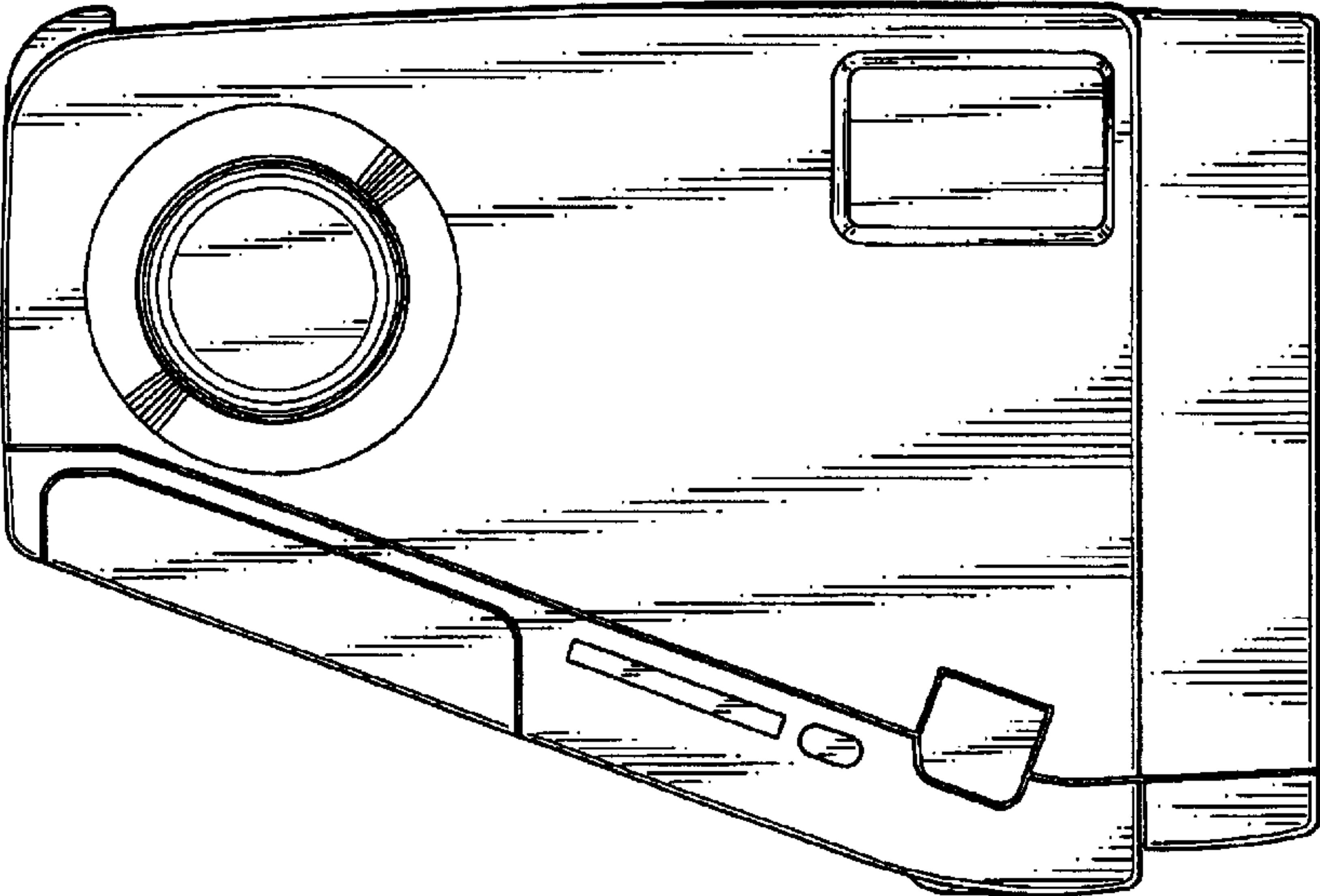


FIG. 8

