

US00D492702S1

(12) **United States Design Patent**
Suwa et al.

(10) **Patent No.:** **US D492,702 S**
(45) **Date of Patent:** **** Jul. 6, 2004**

(54) **EMBROIDERY MACHINE**

D465,793 S * 11/2002 Takada et al. D15/69
D466,136 S * 11/2002 Lin D15/69
D474,785 S * 5/2003 Carter et al. D15/66

(75) Inventors: **Kazumi Suwa**, Toyoake (JP); **Kazuo Itho**, Aichi-gun (JP)

* cited by examiner

(73) Assignee: **Brother Industries, Limited**, Nagoya (JP)

Primary Examiner—Mitchell Siegel
(74) *Attorney, Agent, or Firm*—Oliff & Berridge, PLC

(**) Term: **14 Years**

(57) **CLAIM**

(21) Appl. No.: **29/187,228**

The ornamental design for embroidery machine, as shown and described.

(22) Filed: **Jul. 30, 2003**

DESCRIPTION

(30) **Foreign Application Priority Data**

Feb. 10, 2003 (JP) 2003-002949

(51) **LOC (7) Cl.** **15-06**

(52) **U.S. Cl.** **D15/66**

(58) **Field of Search** D15/66, 69; 112/217.1–217.4,
112/255–261, 321.13, 121.31, 80.4, 80.54,
475.07, 152, 235, 80.52, 102.5, 103

FIG. 1 is a front view of an embroidery machine;
FIG. 2 is a rear view thereof;
FIG. 3 is a left-side view thereof;
FIG. 4 is a right-side view thereof;
FIG. 5 is a top view thereof
FIG. 6 is a bottom view thereof;
FIG. 7 is a perspective view thereof; and,
FIG. 8 is another perspective view thereof with a thread support in a lower position and a thread stand in a folded condition.

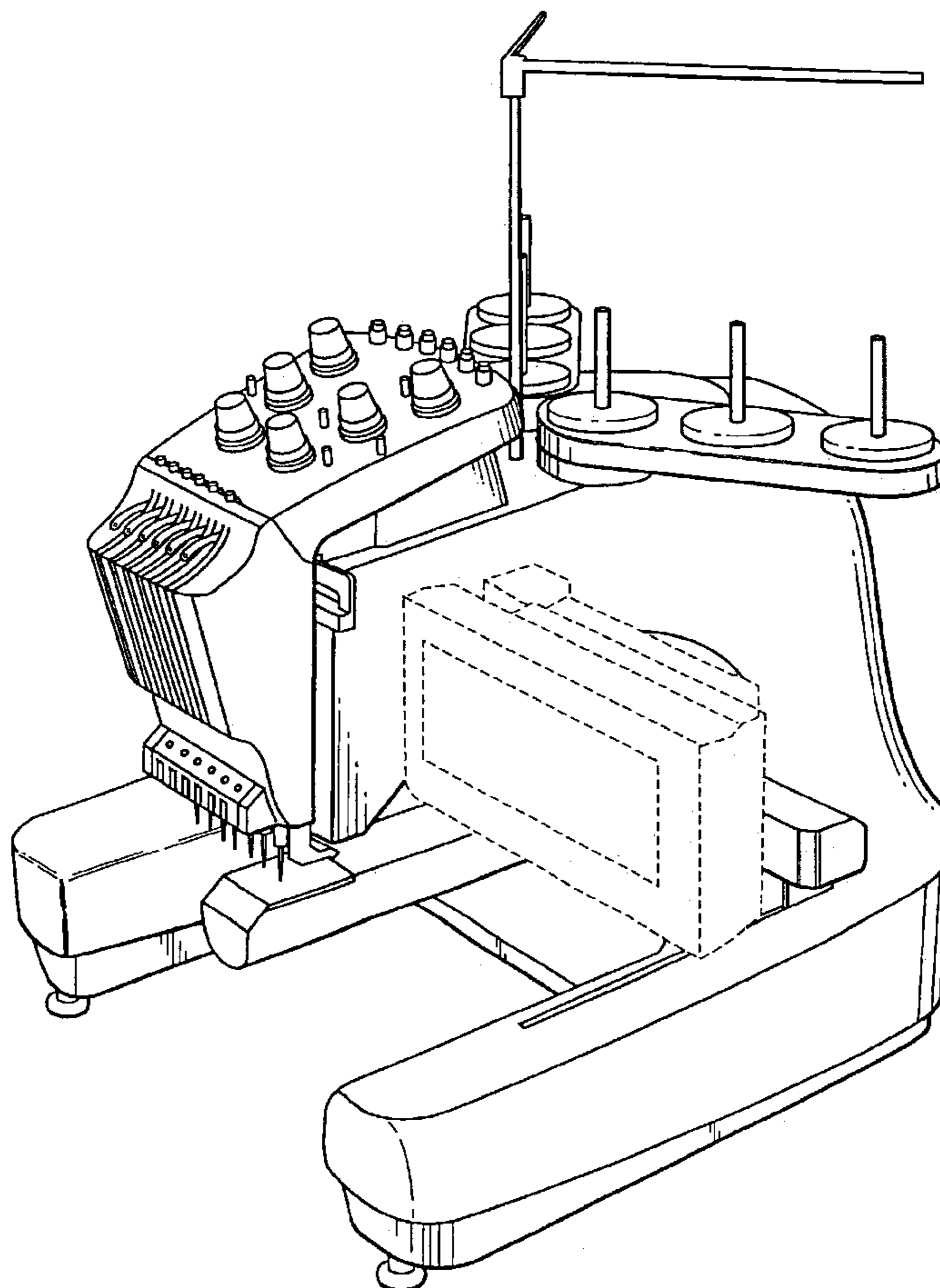
(56) **References Cited**

U.S. PATENT DOCUMENTS

6,289,831 B1 * 9/2001 Hanai et al. 112/102.5
6,463,867 B2 * 10/2002 Kato 112/103

The broken lines are for illustrative purposes only and form no part of the claimed design.

1 Claim, 7 Drawing Sheets



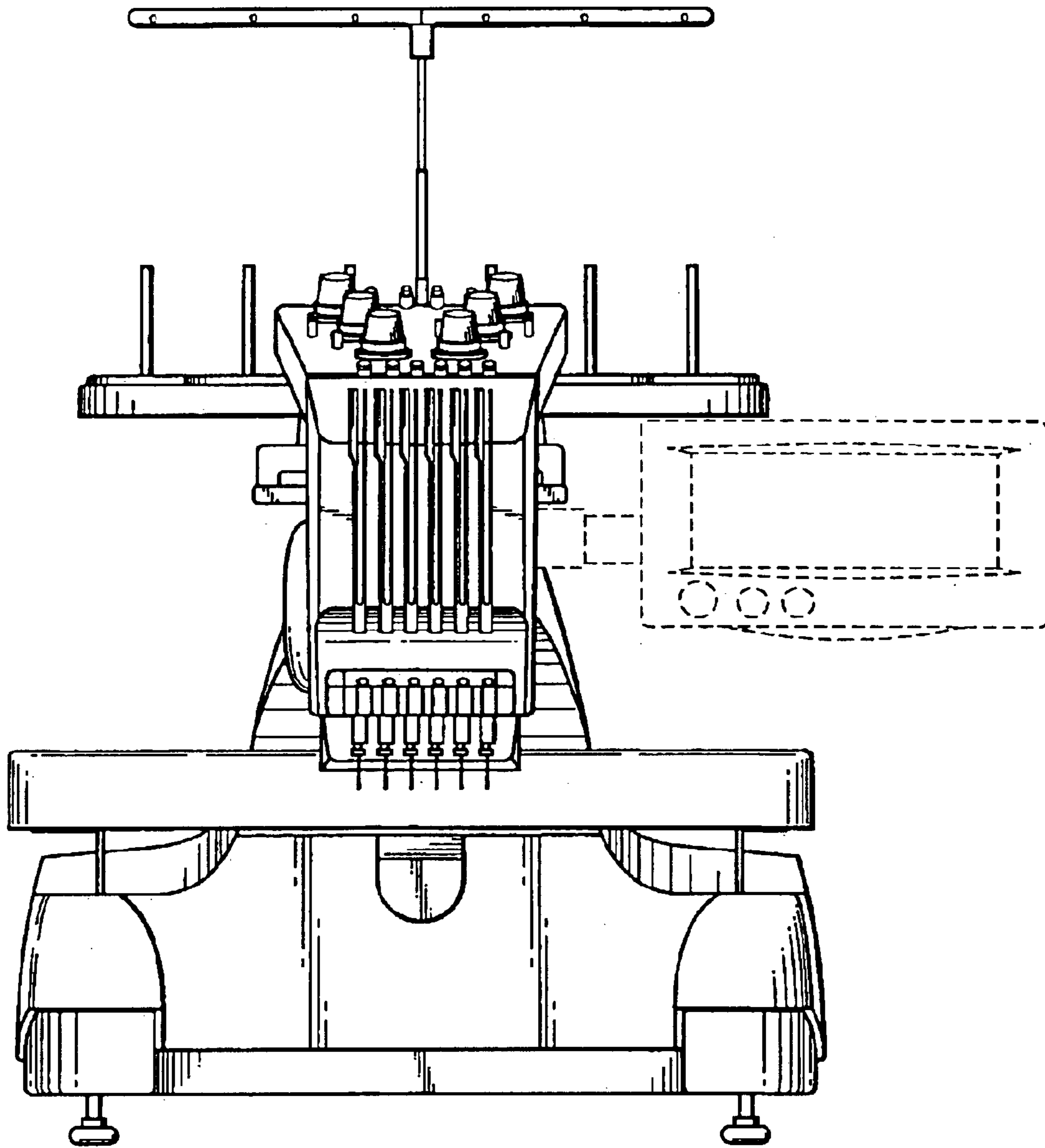


Fig. 1

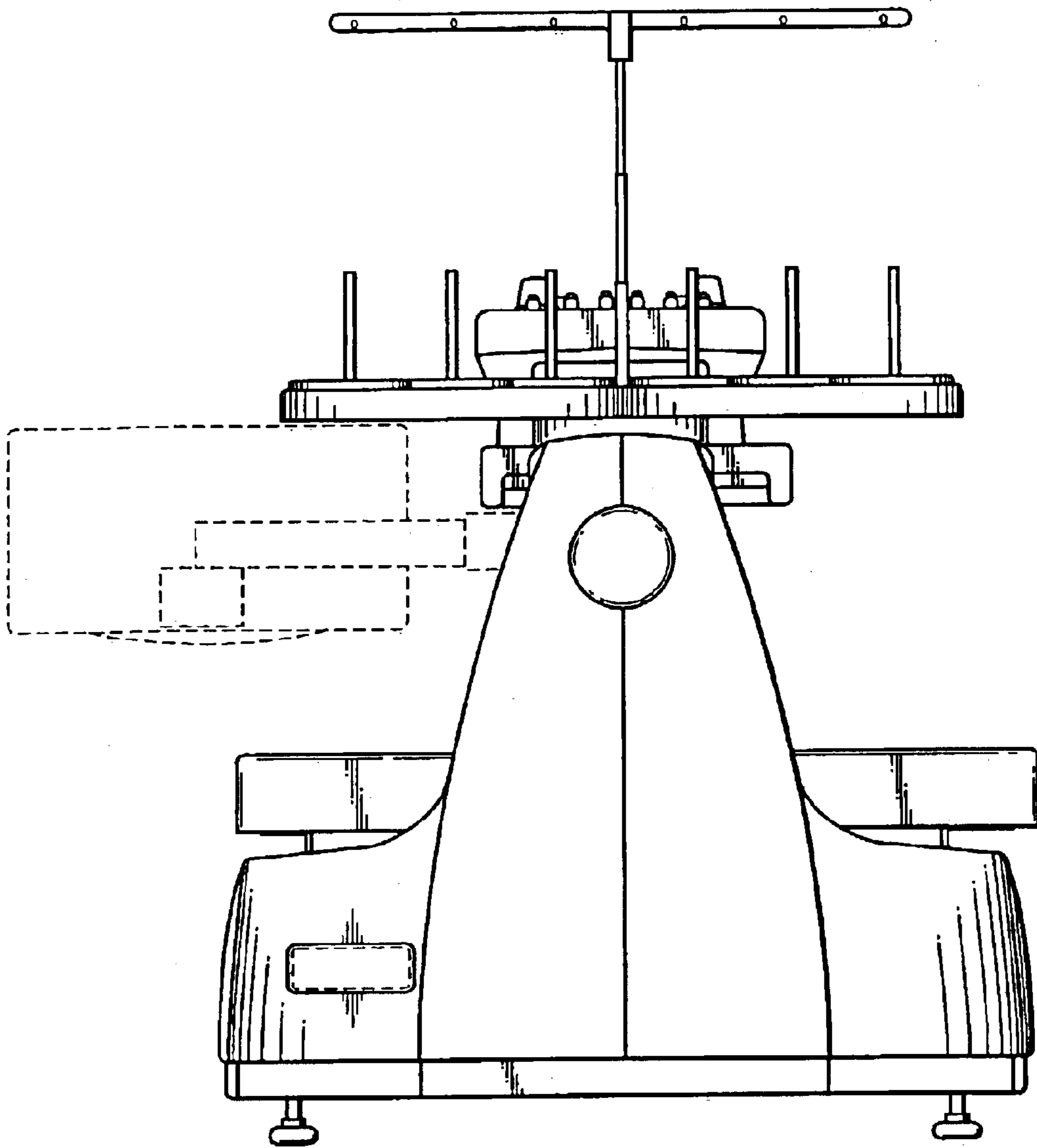


Fig. 2

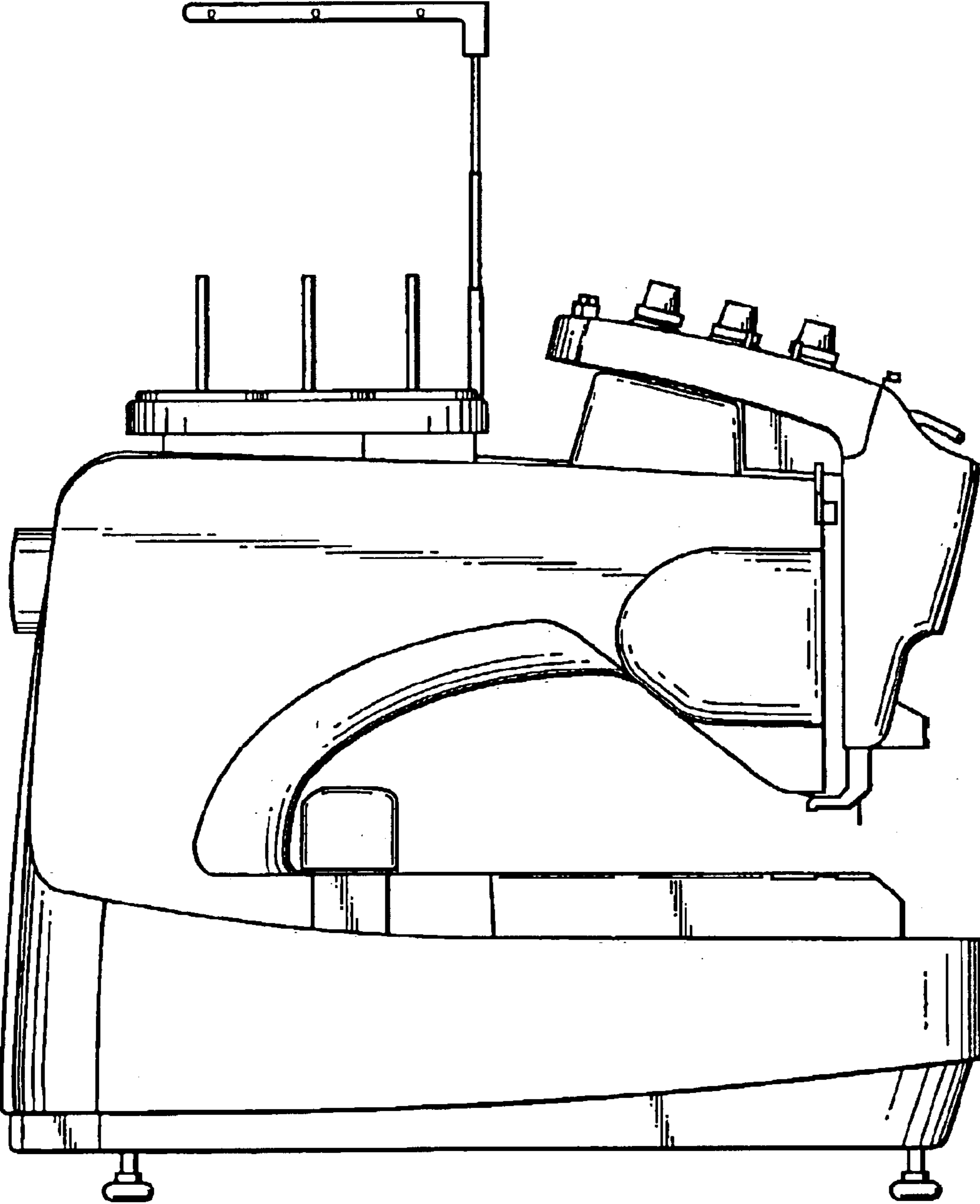


Fig. 3

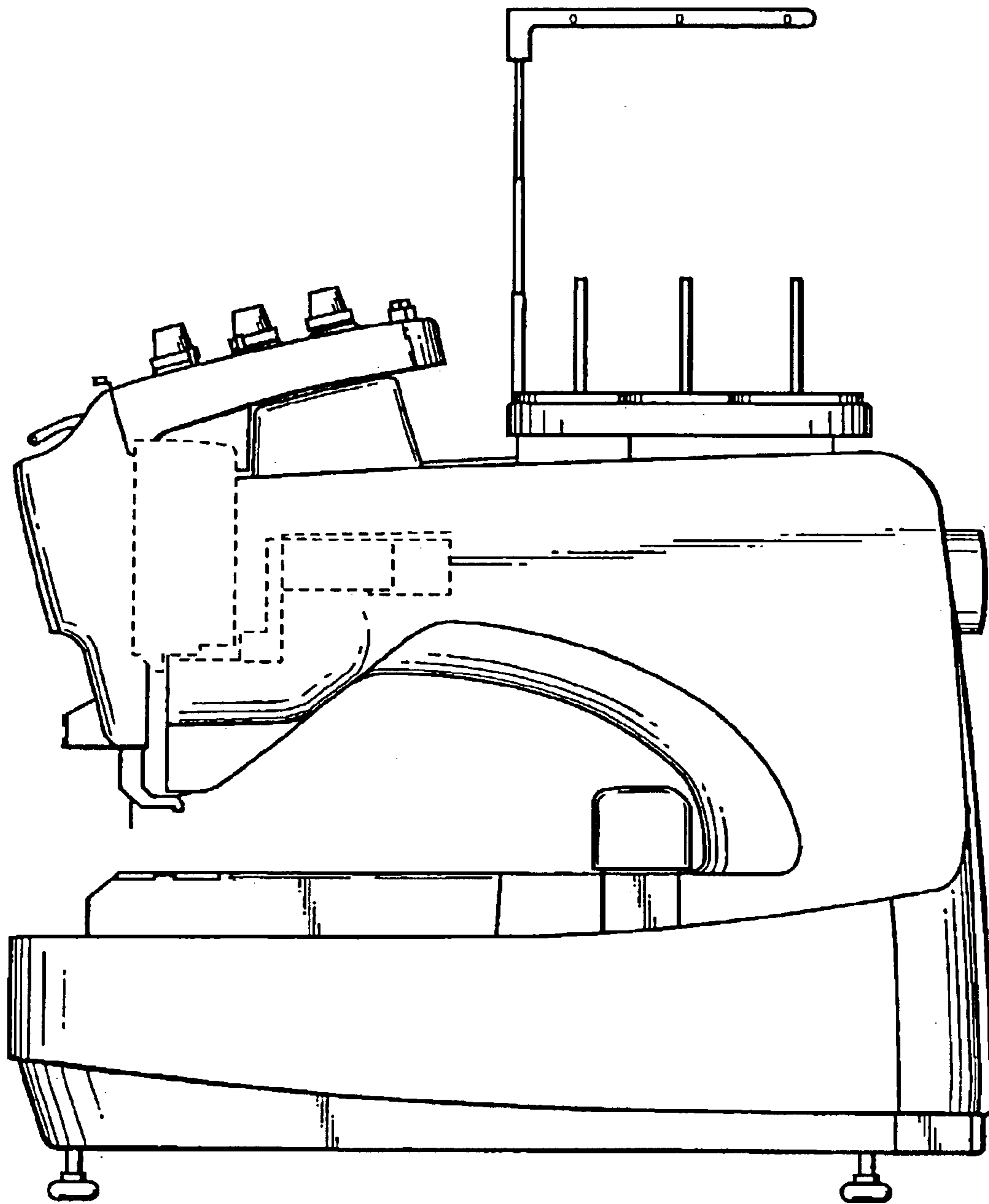


Fig. 4

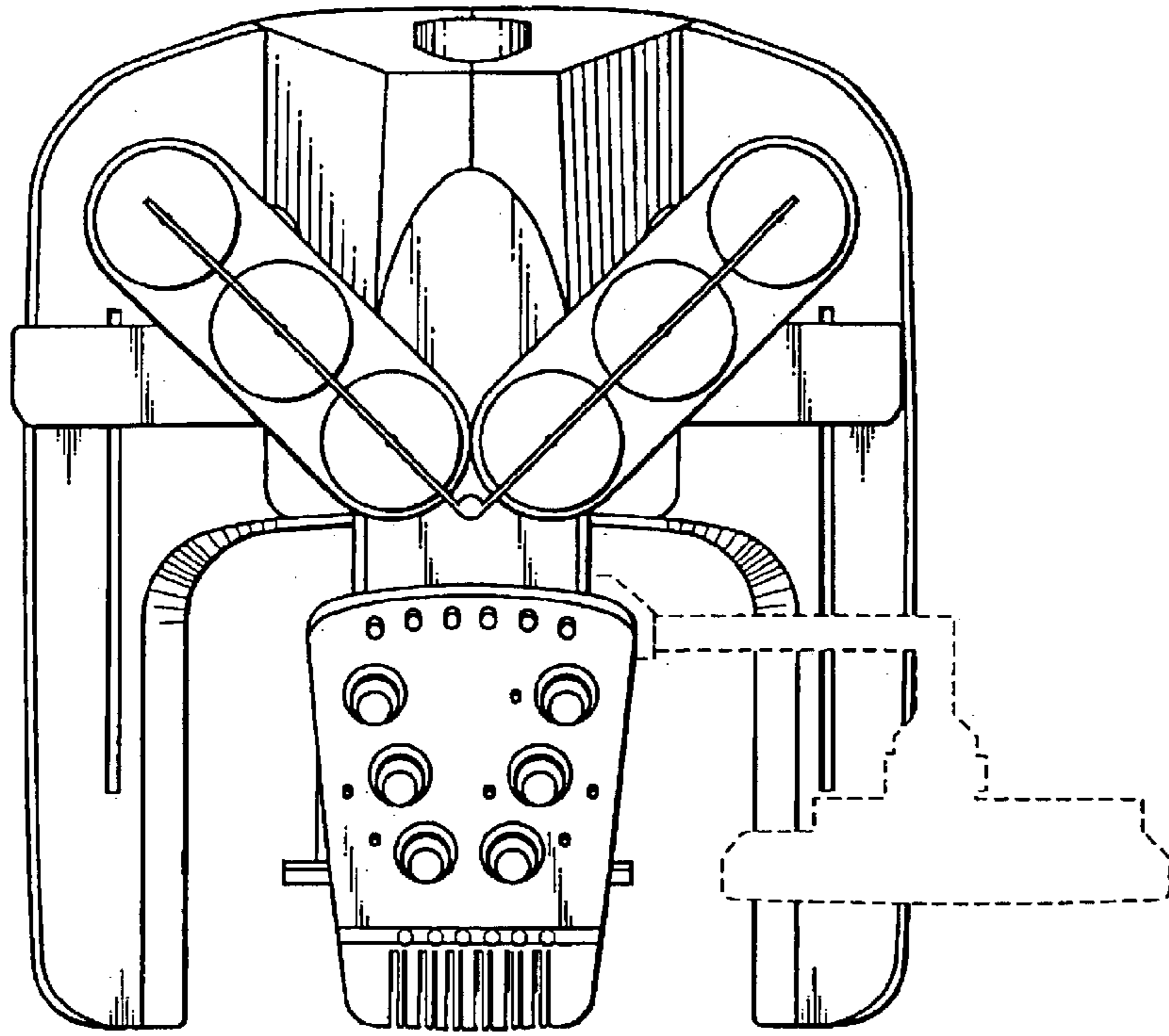


Fig. 5

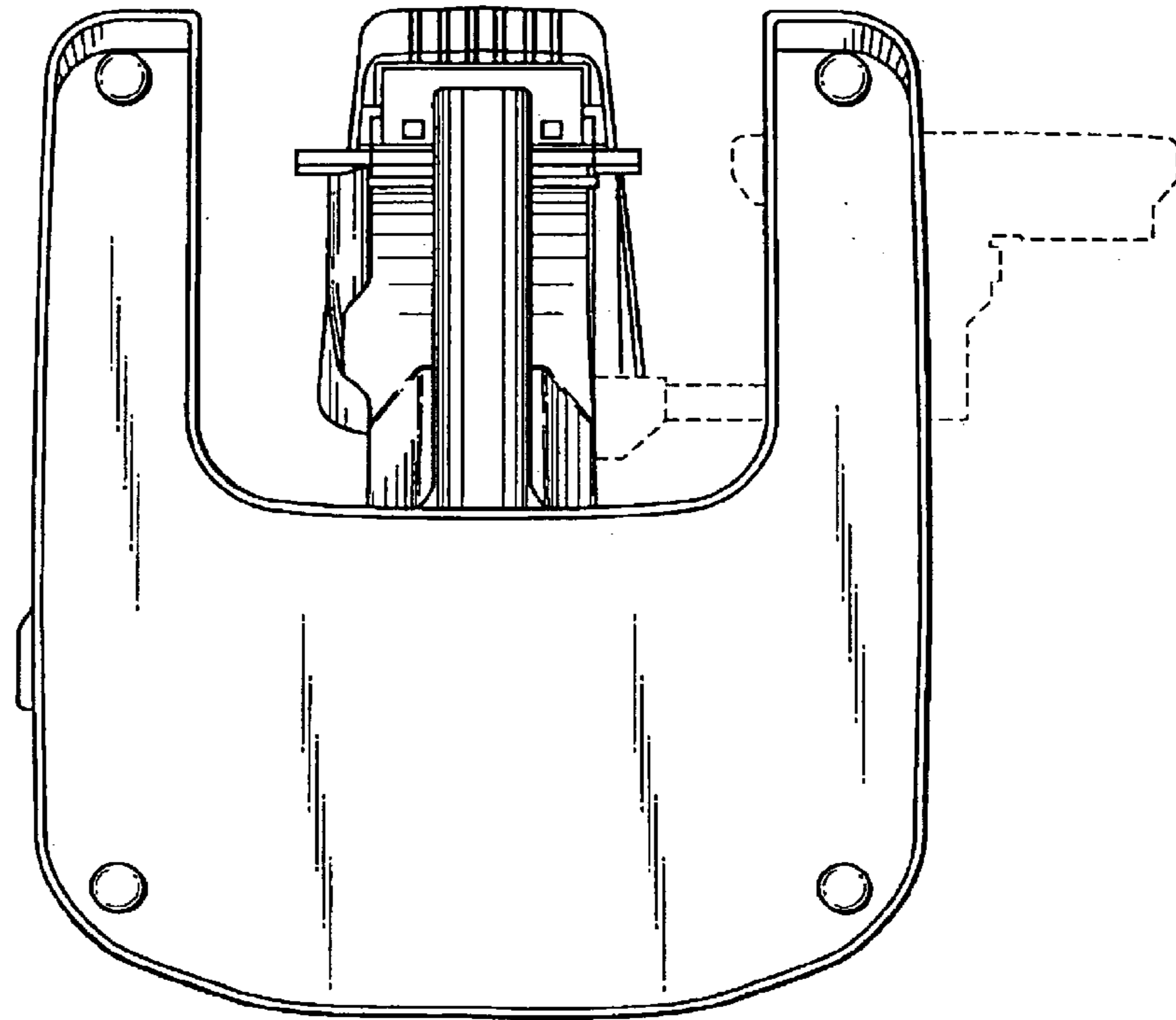


Fig. 6

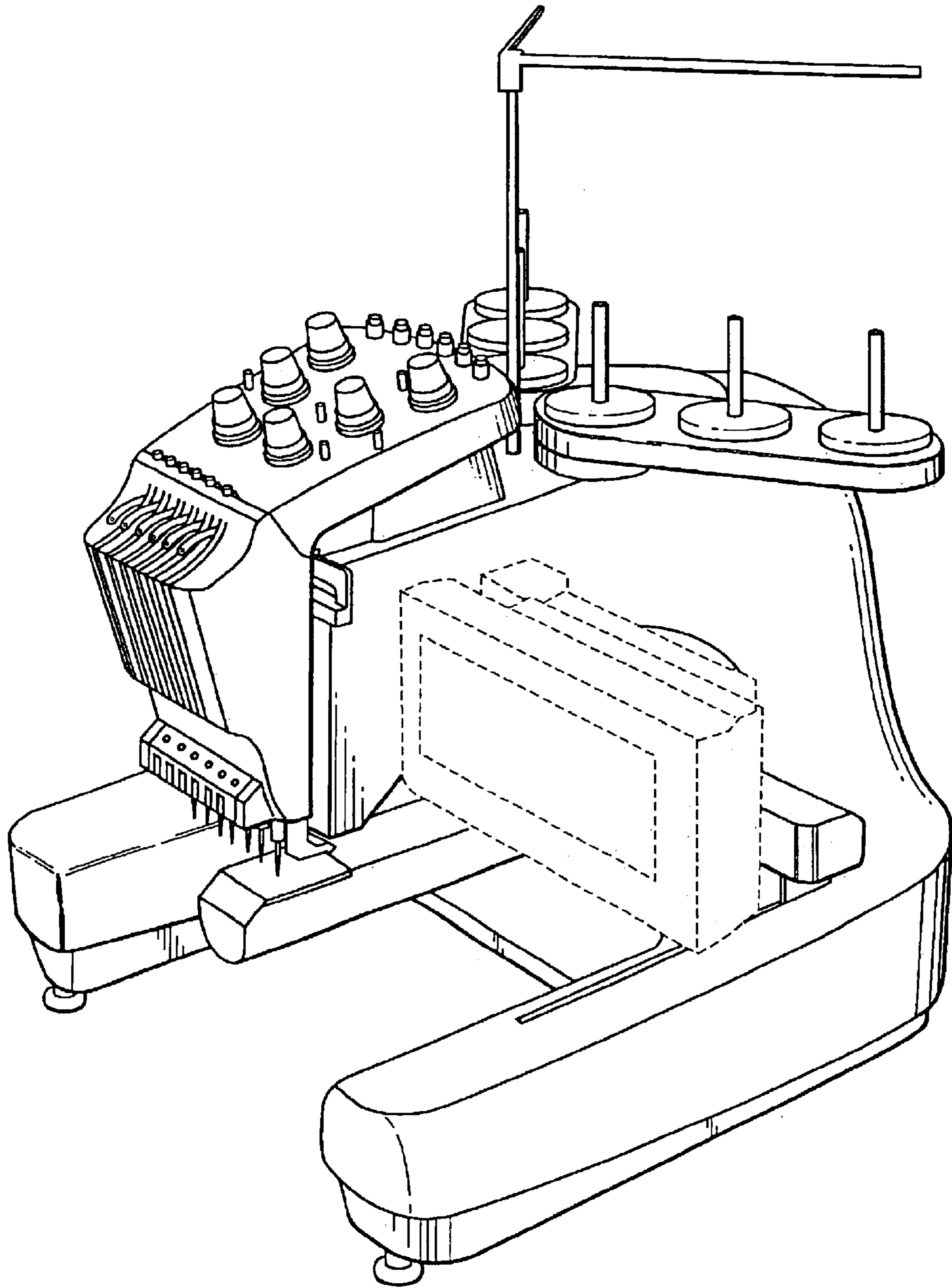


Fig. 7

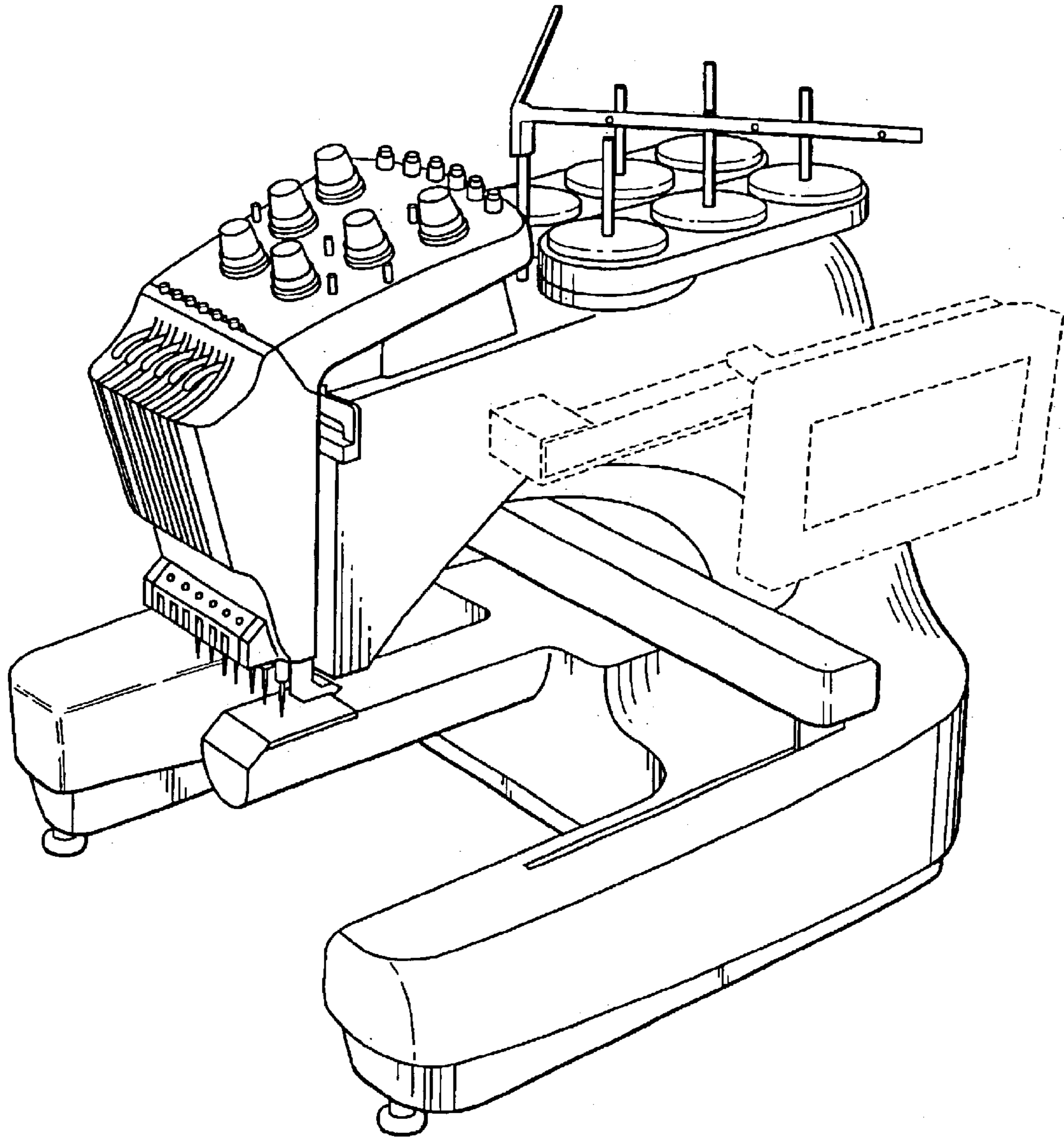


Fig. 8