



US00D492701S1

(12) **United States Design Patent**  
**DeShong**

(10) **Patent No.:** **US D492,701 S**  
(45) **Date of Patent:** **\*\* Jul. 6, 2004**

(54) **LAWN TRACTOR ACCESSORY**

(76) Inventor: **Morris DeShong**, 9182 S. 300 West,  
Pendleton, IN (US) 46064

(\*\*) Term: **14 Years**

(21) Appl. No.: **29/175,883**

(22) Filed: **Feb. 12, 2003**

**Related U.S. Application Data**

(63) Continuation-in-part of application No. 09/608,661, filed on  
Jun. 30, 2000, now abandoned.

(51) **LOC (7) Cl.** ..... **15-03**

(52) **U.S. Cl.** ..... **D15/17**

(58) **Field of Search** ..... D15/14-17, 28;  
224/521, 274, 504, 497, 42.03; 414/462;  
248/99, 101; D21/791

(56) **References Cited**

**U.S. PATENT DOCUMENTS**

310,101 A	12/1884	Wagner
434,514 A	8/1890	Lamb
1,012,495 A	12/1911	Wirt
2,464,224 A	3/1949	Grabert
2,618,509 A	11/1952	Carlson
3,583,718 A	6/1971	Meyer
4,467,925 A	8/1984	Ratzloff et al.

4,708,307 A	11/1987	Daigle
4,770,440 A	9/1988	Lander
5,033,703 A	7/1991	Allen, Sr.
5,190,195 A	3/1993	Fullhart et al.
5,373,978 A	12/1994	Buttchen et al.
D372,064 S	* 7/1996	del Barrio ..... D21/791
5,704,496 A	1/1998	Latta
5,810,542 A	9/1998	Ostrander
5,826,838 A	10/1998	Forbes
6,017,069 A	1/2000	Imms et al.
6,039,227 A	3/2000	Stark
6,336,580 B1	1/2002	Allen et al.
6,691,959 B1	* 2/2004	Dancy ..... 248/100

\* cited by examiner

*Primary Examiner*—Mitchell Siegel

(74) *Attorney, Agent, or Firm*—Clifford W. Browning;  
Woodard Emhardt Moriarty McNett & Henry LLP

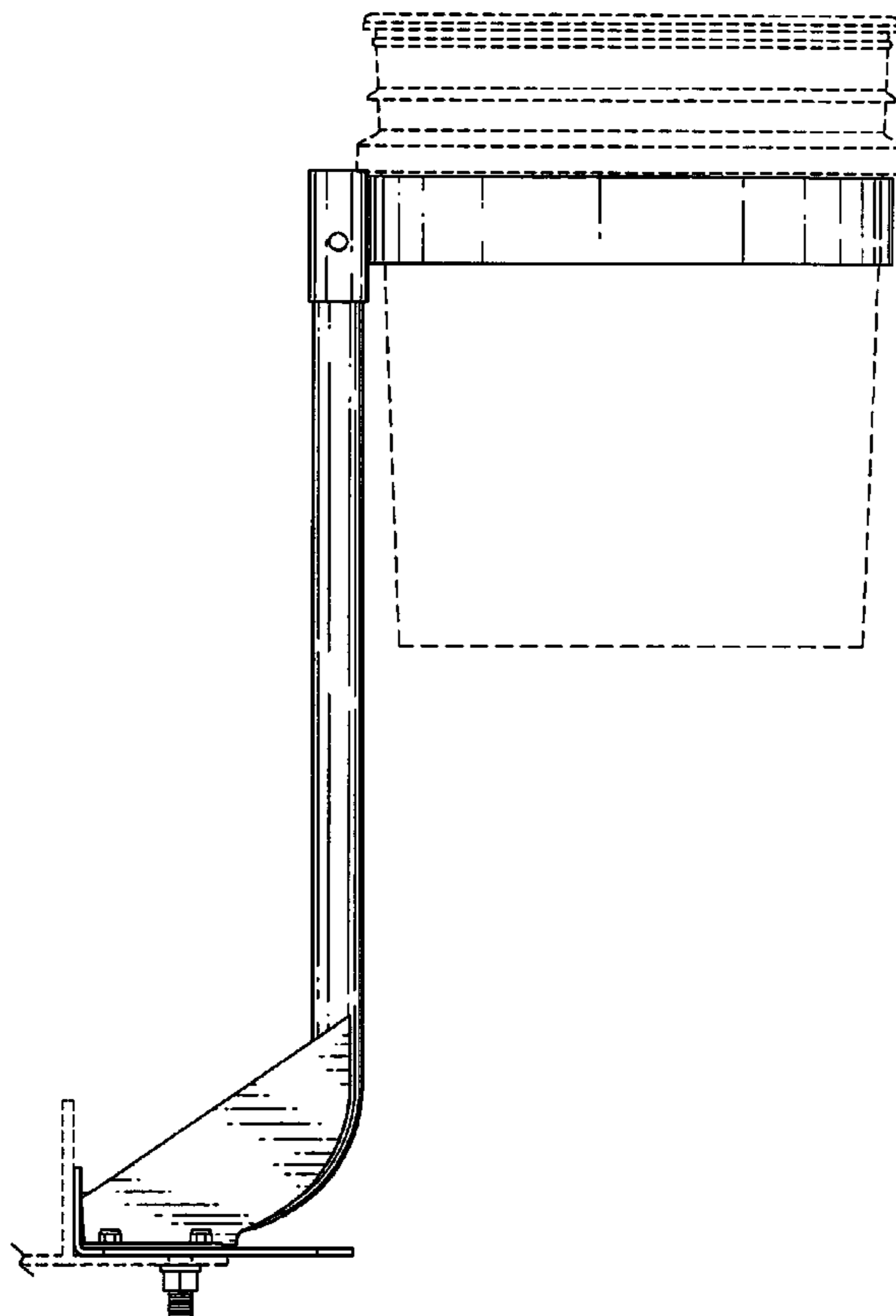
(57) **CLAIM**

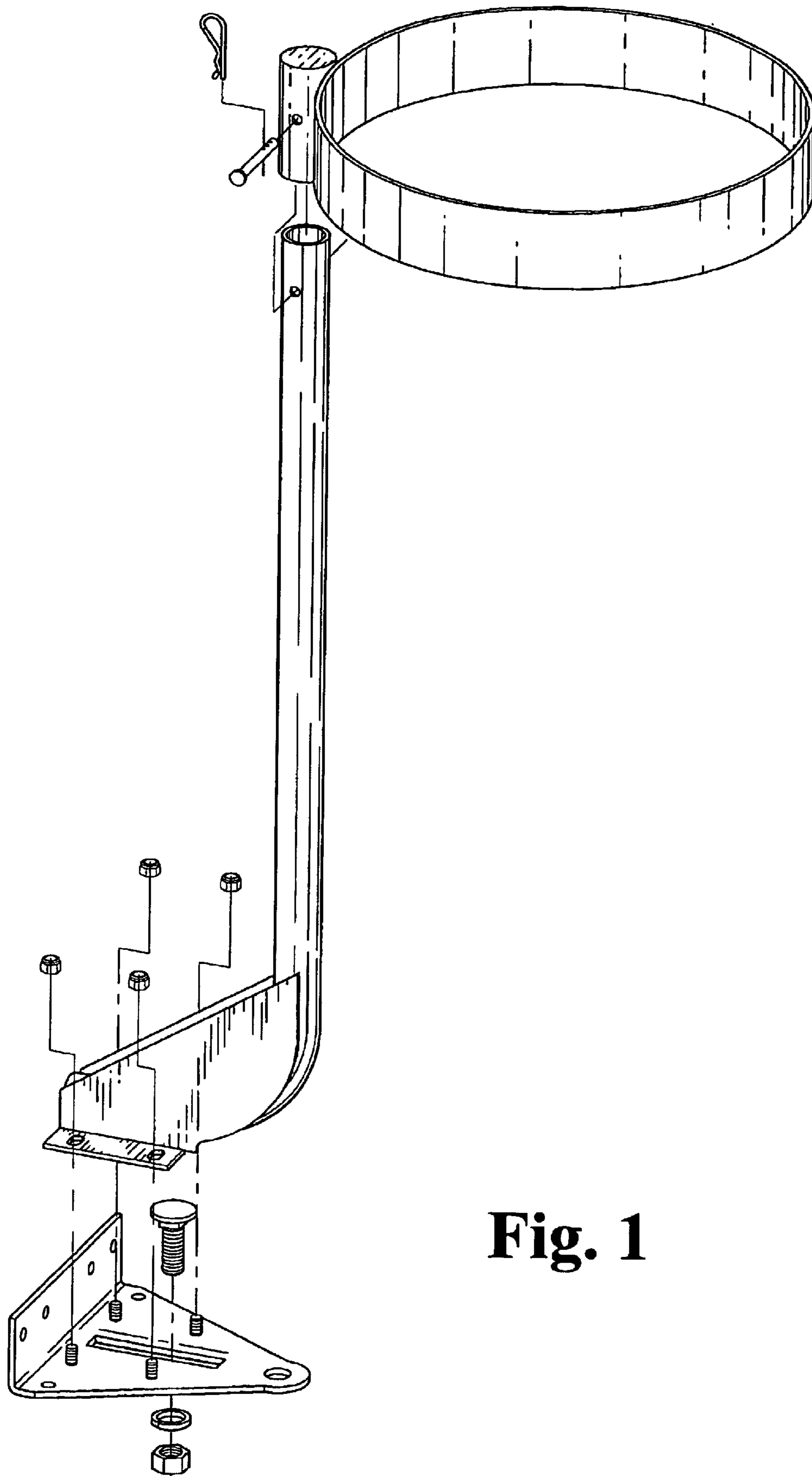
The ornamental design for a lawn tractor accessory, as shown and described.

**DESCRIPTION**

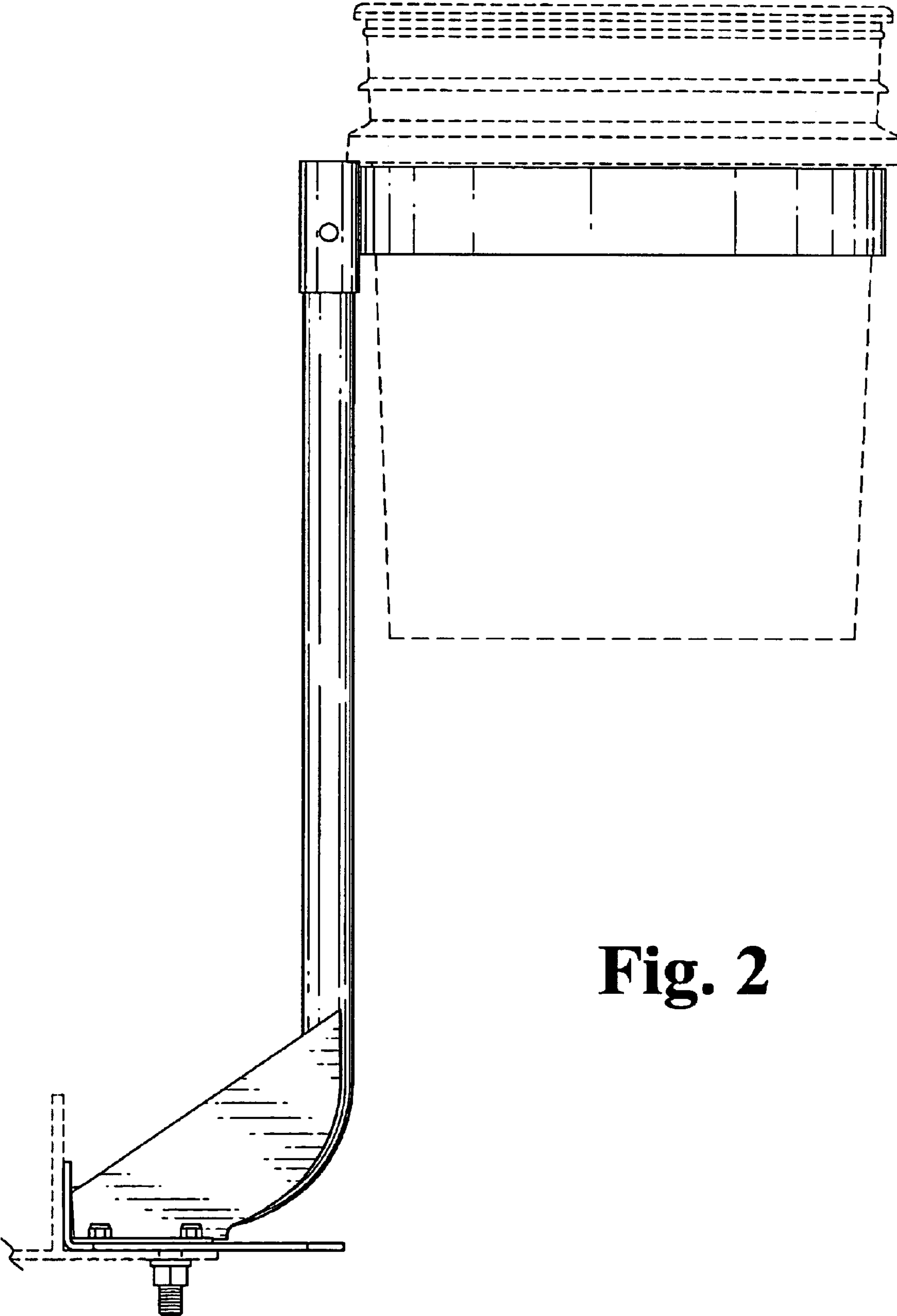
FIG. 1 is an exploded perspective view of a lawn tractor accessory, showing my new design; and, FIG. 2 is a left side, unexploded view of the lawn tractor accessory of FIG. 1, the right side view being a mirror image thereof.

**1 Claim, 2 Drawing Sheets**





**Fig. 1**



**Fig. 2**