

US00D492700S1

(12) **United States Design Patent**
Hsiao

(10) **Patent No.:** **US D492,700 S**

(45) **Date of Patent:** **** Jul. 6, 2004**

(54) **AIR COMPRESSOR**

(76) Inventor: **Eming Hsiao**, No. 427, Sec. 2,
Doou-Chung Rd., Tien-Chung,
Chang-Hwa (TW)

(**) Term: **14 Years**

(21) Appl. No.: **29/191,334**

(22) Filed: **Oct. 7, 2003**

(51) **LOC (7) Cl.** **15-02**

(52) **U.S. Cl.** **D15/7**

(58) **Field of Search** D15/7-9; D23/231,
D23/232; 417/410.4, 359, 228, 415, 410.3,
234, 229, 321, 265, 405

(56) **References Cited**

U.S. PATENT DOCUMENTS

2,171,787 A	*	9/1939	Erbach	417/228
D157,802 S	*	3/1950	Sundberg	D15/9
D395,899 S	*	7/1998	Plummer et al.	D15/7
D419,162 S	*	1/2000	Wise et al.	D15/9
D435,050 S	*	12/2000	Wise et al.	D15/9

* cited by examiner

Primary Examiner—Ralf Seifert

(74) *Attorney, Agent, or Firm*—Rosenberg, Klein & Lee

(57) **CLAIM**

The ornamental design for an air compressor, as shown and described.

DESCRIPTION

FIG. 1 is a perspective view of an air compressor, showing my new design;

FIG. 2 is a front elevational view thereof;

FIG. 3 is a rear elevational view thereof;

FIG. 4 is a left side elevational view thereof;

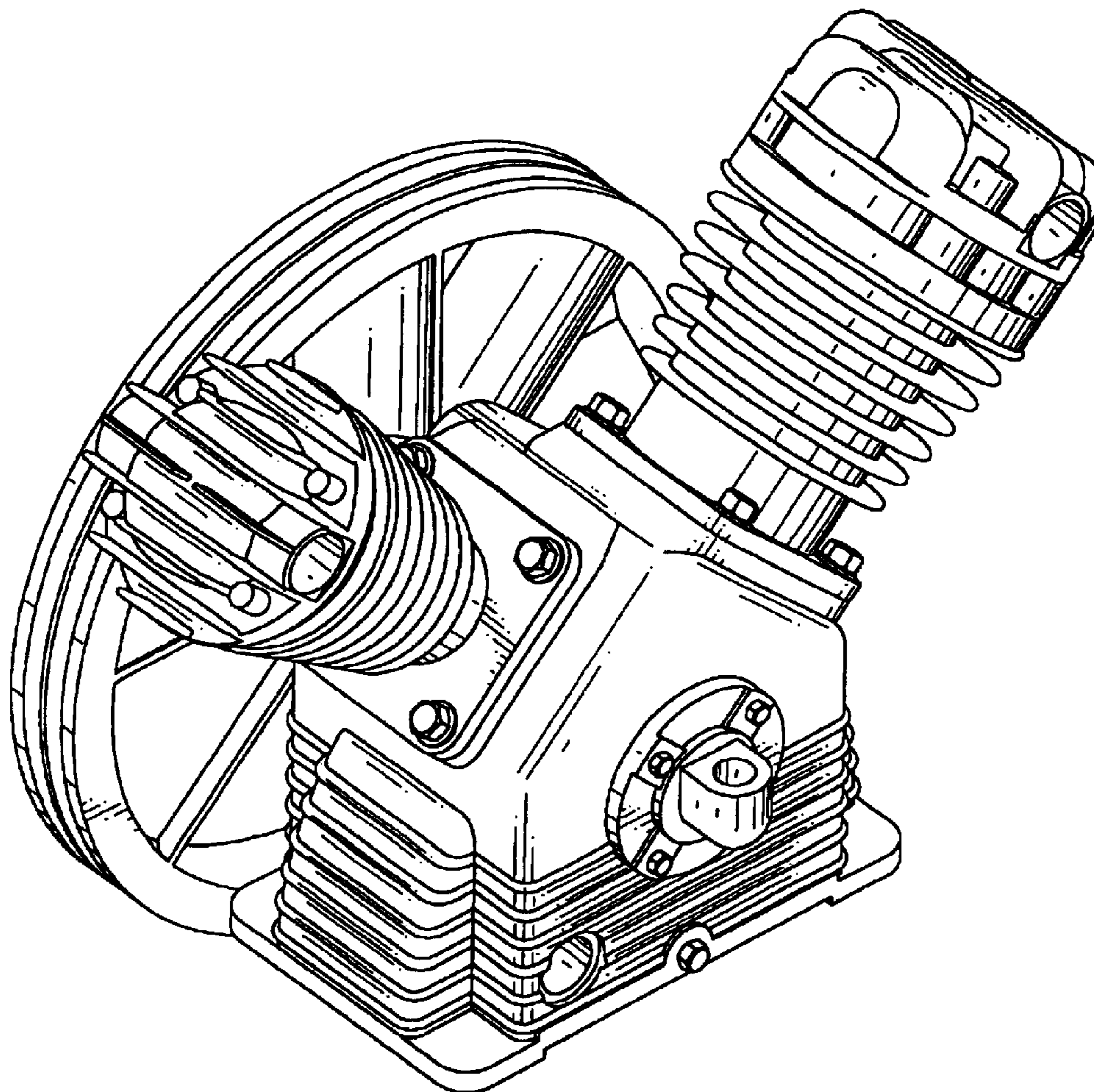
FIG. 5 is a right side elevational view thereof;

FIG. 6 is a top plan view thereof;

FIG. 7 is a bottom plan view thereof; and,

FIG. 8 is a referential perspective view showing an embodiment of the claimed design, wherein the broken lines are shown for illustrative purposes only and form no part of the claimed design.

1 Claim, 8 Drawing Sheets



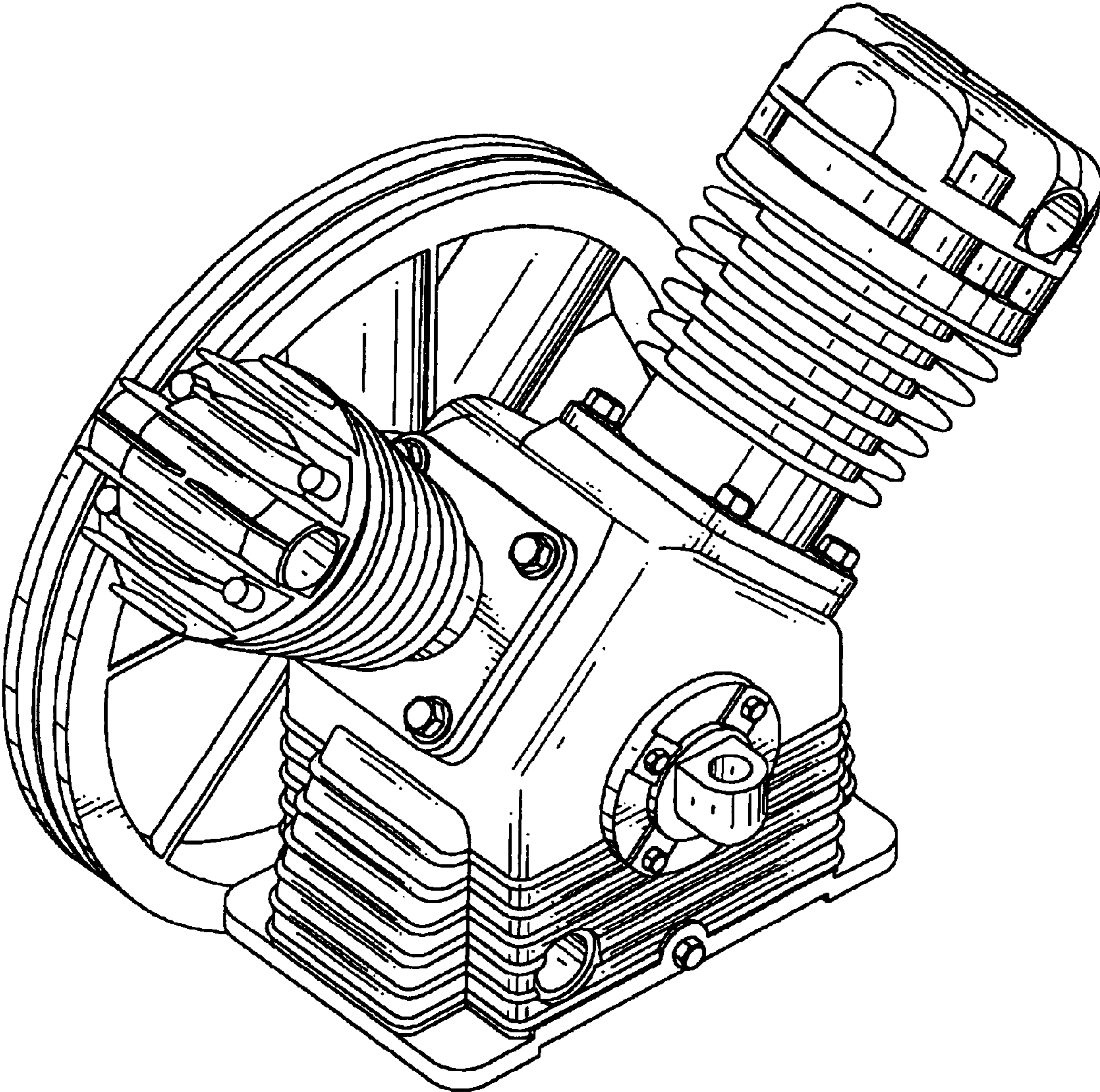


FIG. 1

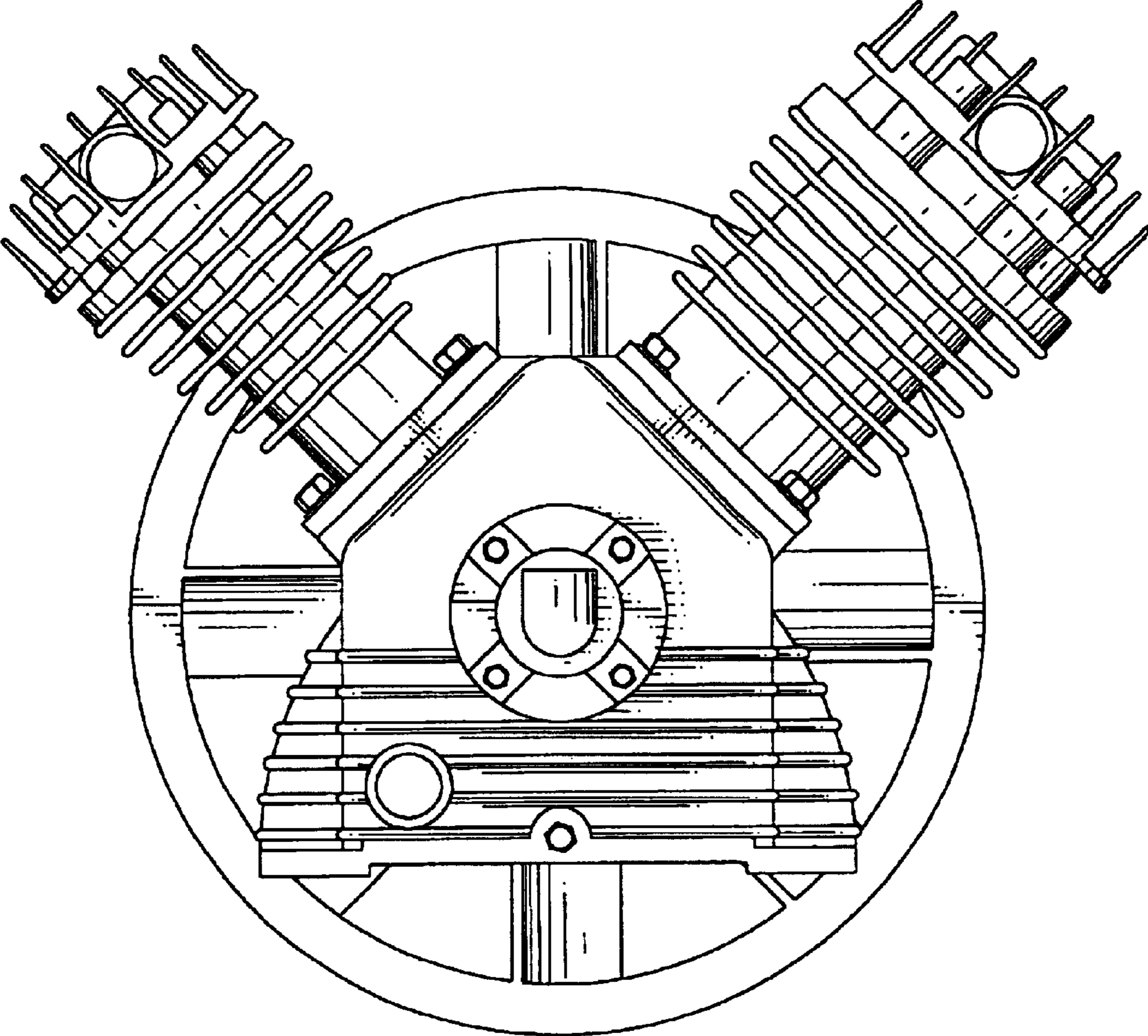


FIG. 2

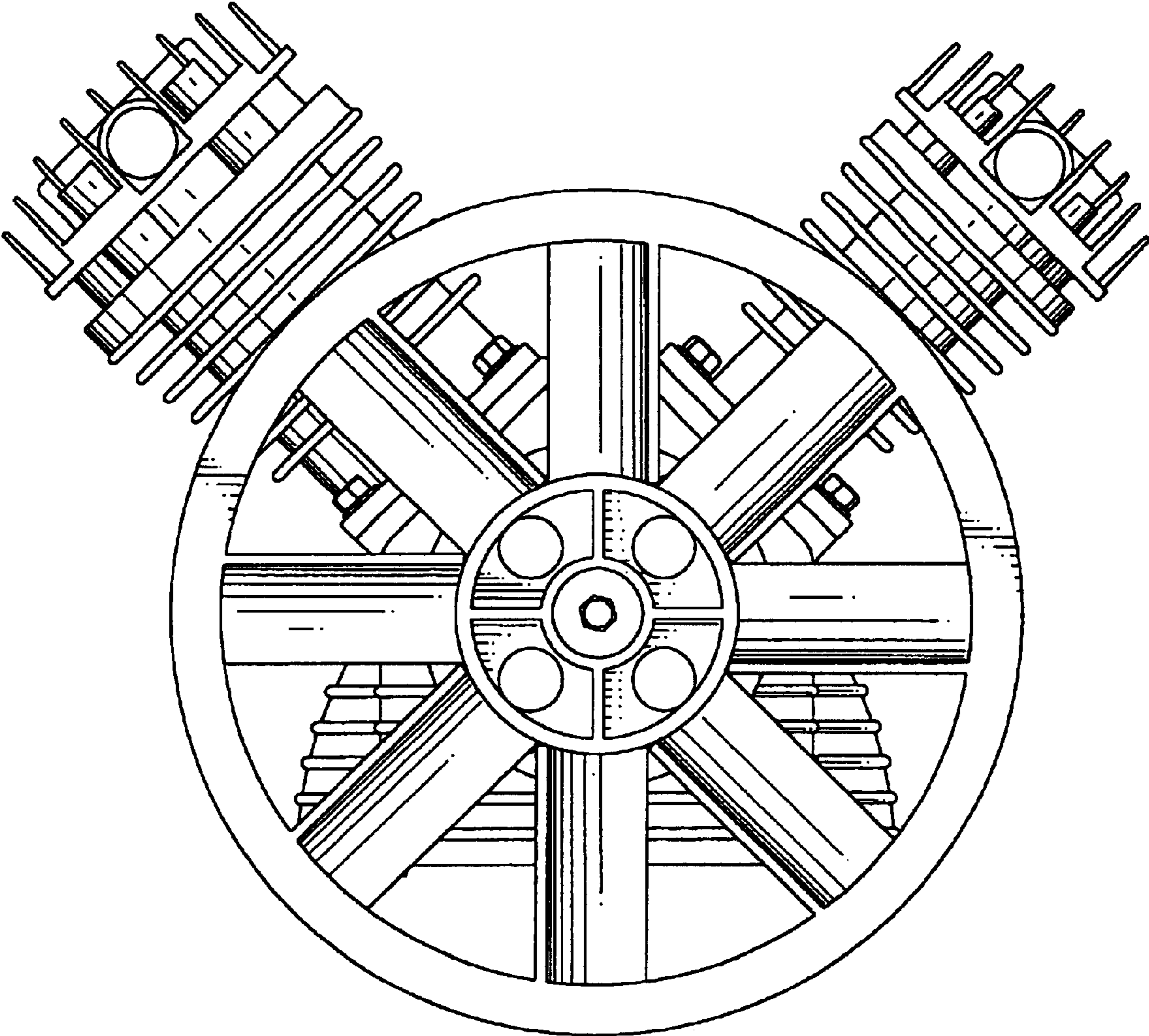


FIG. 3

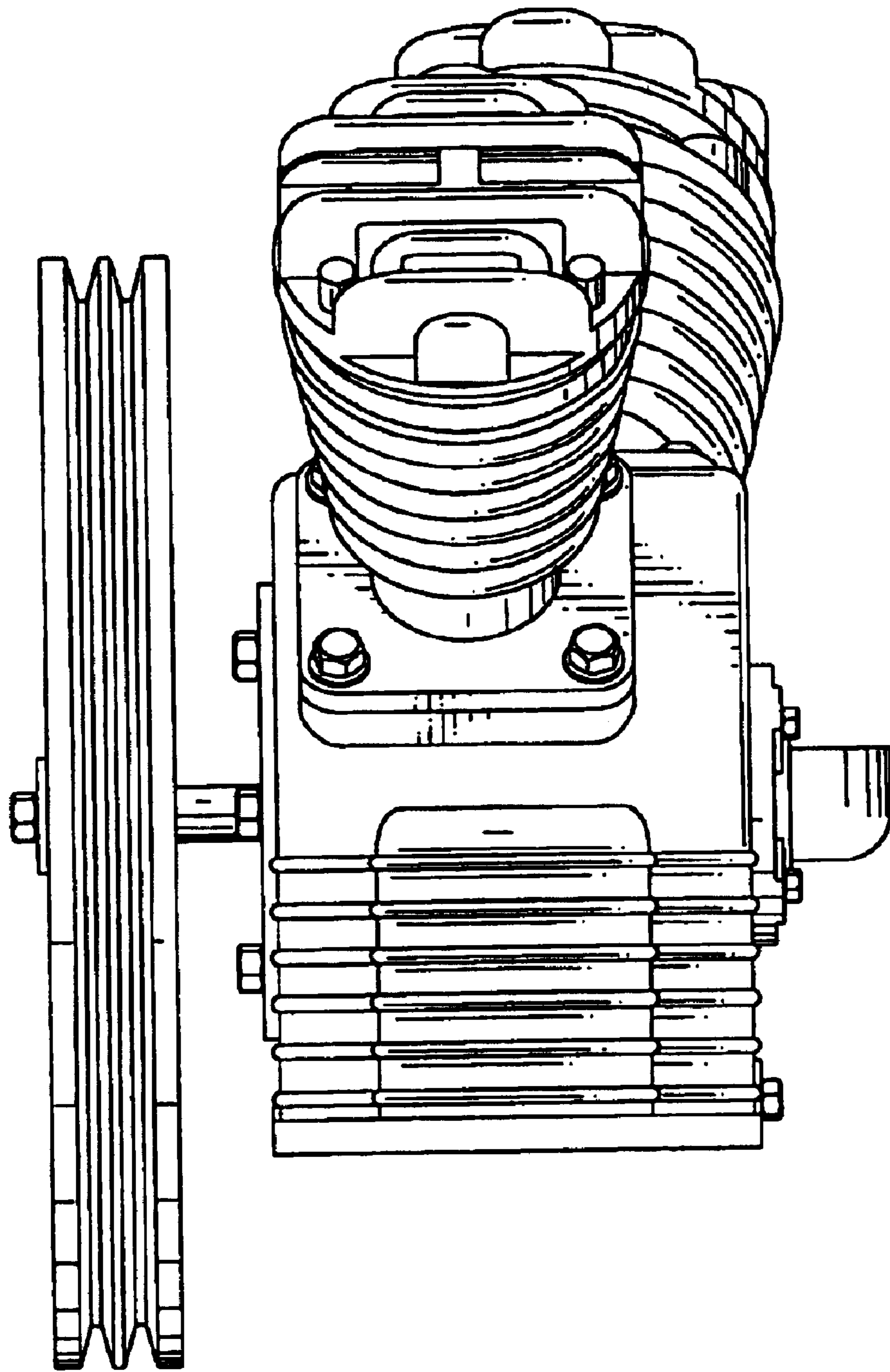


FIG. 4

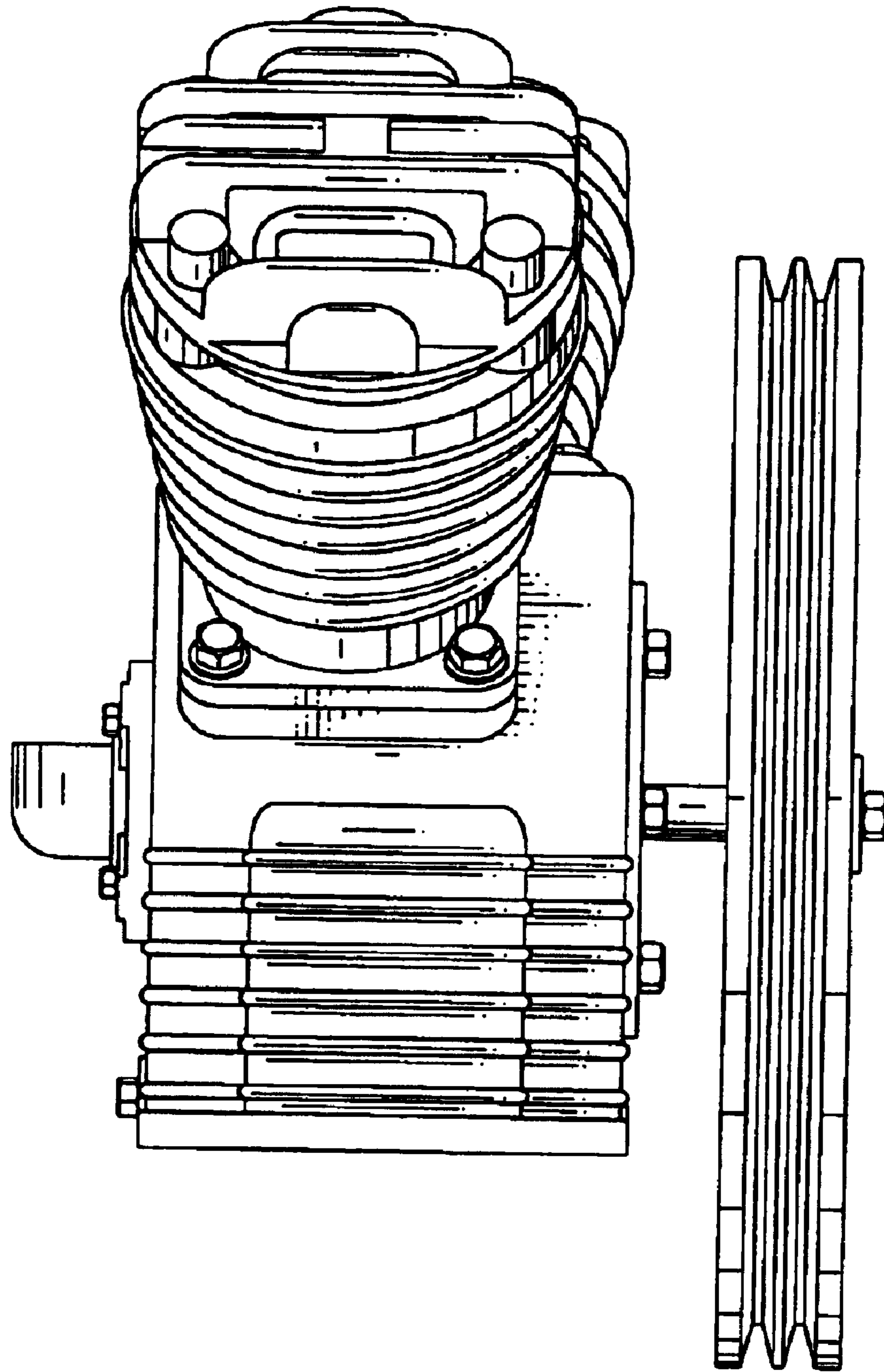


FIG. 5

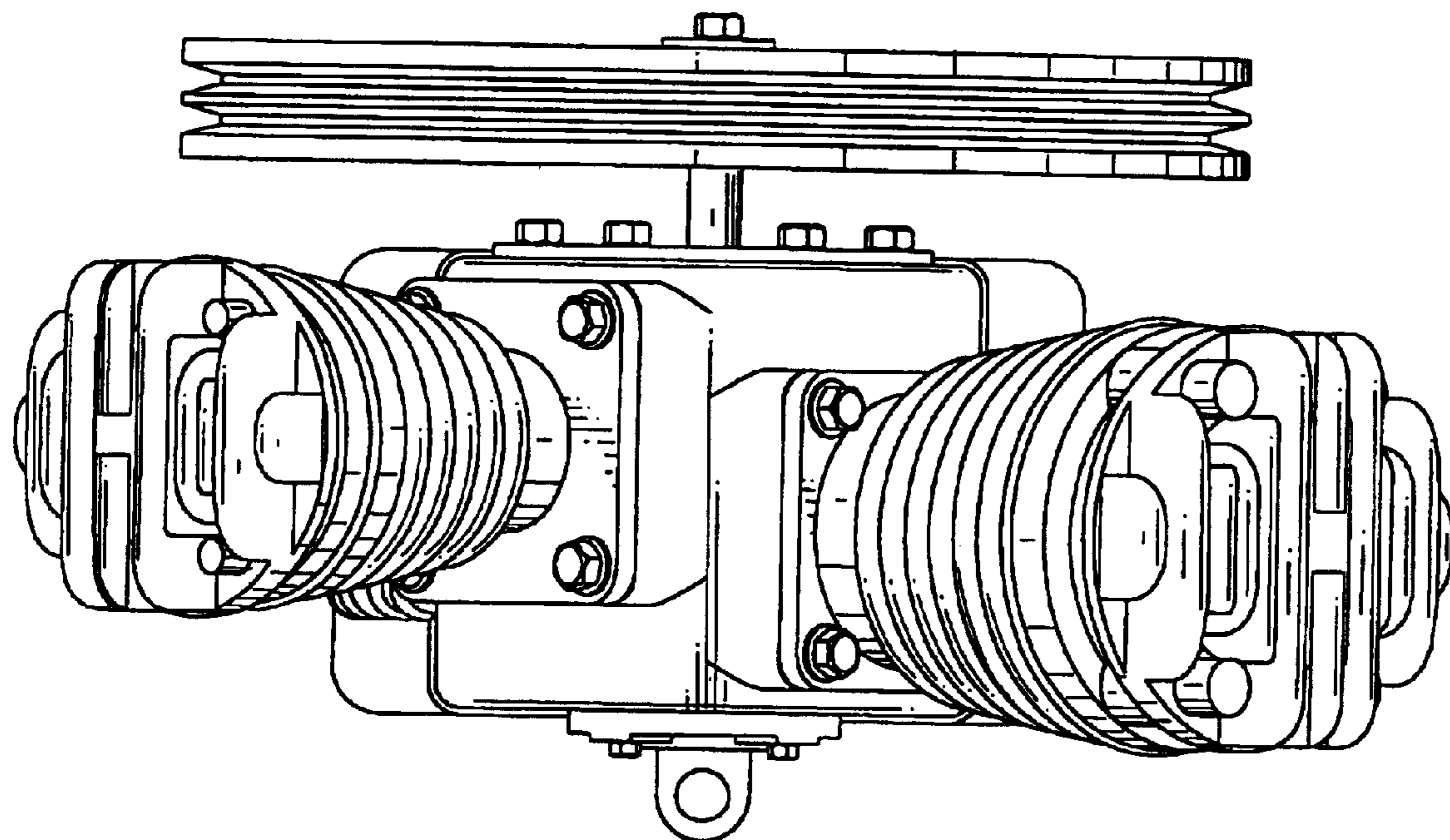


FIG. 6

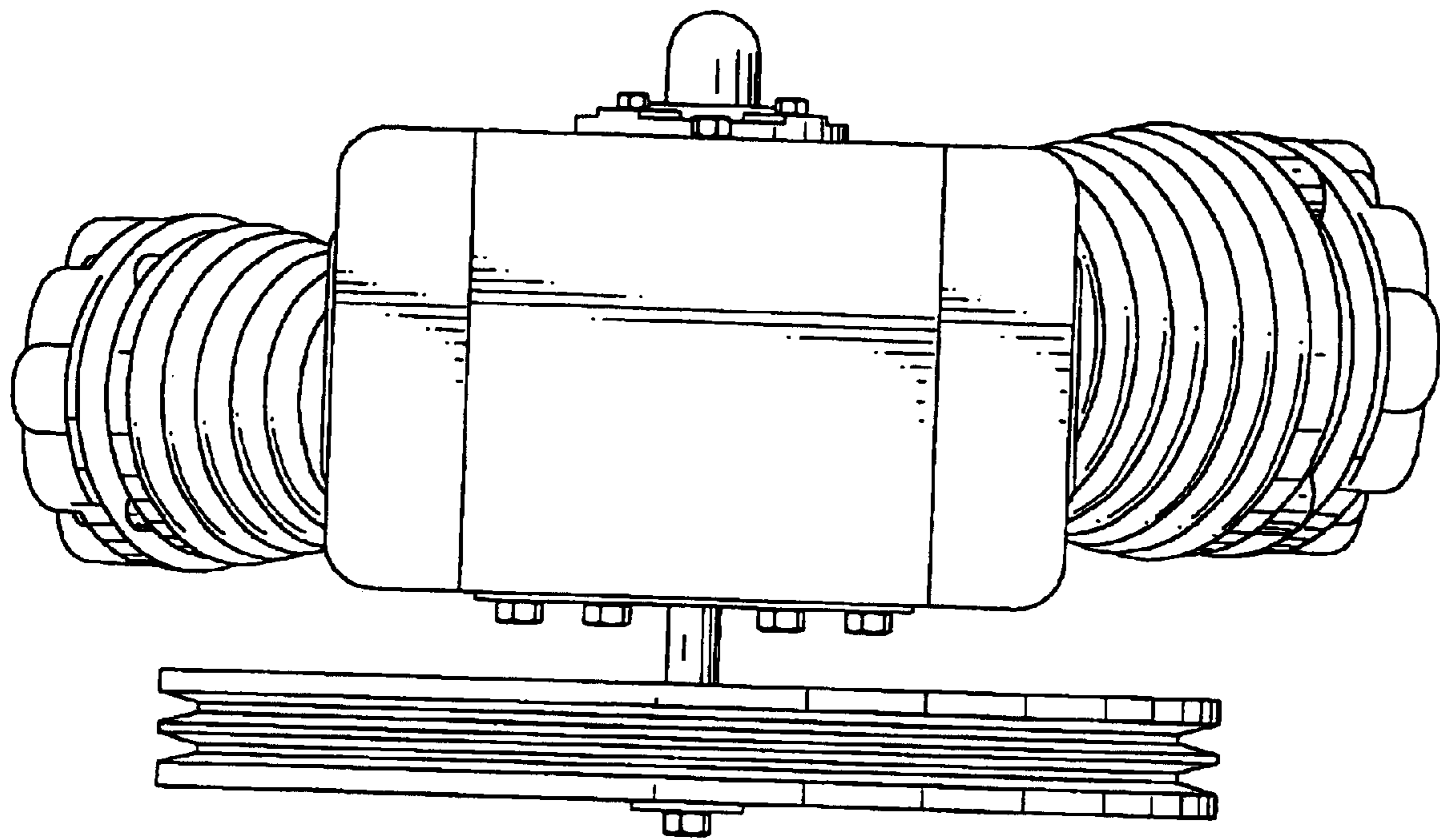


FIG. 7

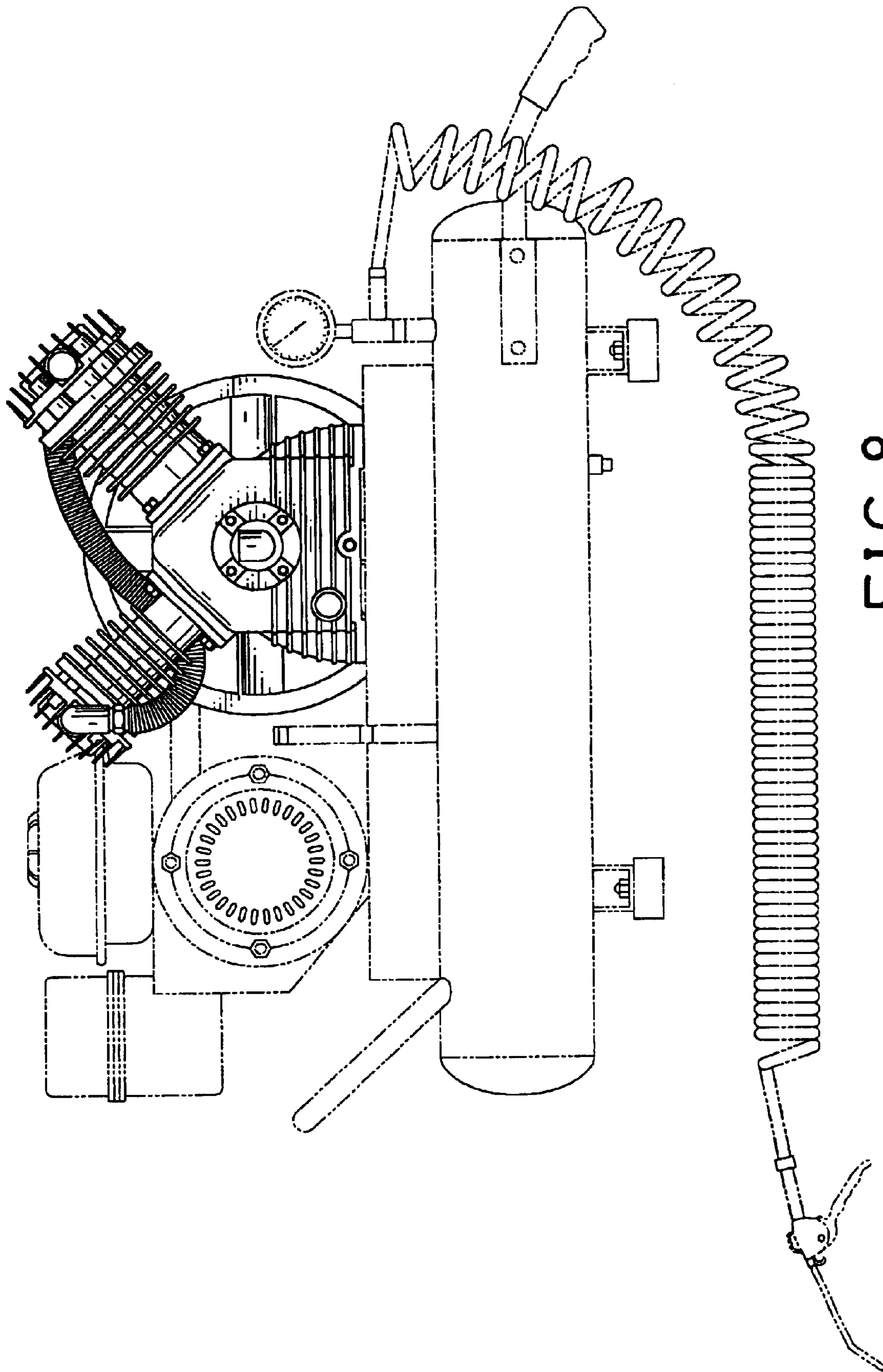


FIG. 8