



US00D492682S1

(12) **United States Design Patent**
Lee

(10) **Patent No.:** **US D492,682 S**
(45) **Date of Patent:** **** Jul. 6, 2004**

(54) **COMPUTER CASE**

D454,872 S * 3/2002 Tanaka D14/349
D466,505 S * 12/2002 Chien et al. D14/349

(75) Inventor: **Andrew Lee**, Fremont, CA (US)

* cited by examiner

(73) Assignee: **Antec, Incorporated**, Fremont, CA (US)

Primary Examiner—Freda S. Nunn
(74) *Attorney, Agent, or Firm*—Jackson Walker, LLP

(**) Term: **14 Years**

(57) **CLAIM**

(21) Appl. No.: **29/187,208**

The ornamental design for a computer case, as shown.

(22) Filed: **Jul. 28, 2003**

DESCRIPTION

(51) **LOC (7) Cl.** **14-02**

FIG. 1 is a perspective view of a computer case, showing my new design;

(52) **U.S. Cl.** **D14/349**

FIG. 2 is a front elevational view thereof;

(58) **Field of Search** D14/349–356,
D14/363, 364; D13/162, 184, 199; 312/223.1–223;
360/99.01–99.12; 361/690–696; 369/34.01,
36.01

FIG. 3 is a rear elevational view thereof;

FIG. 4 is a left side elevational view thereof;

FIG. 5 is a right side elevational view thereof;

FIG. 6 is a top plan view thereof; and,

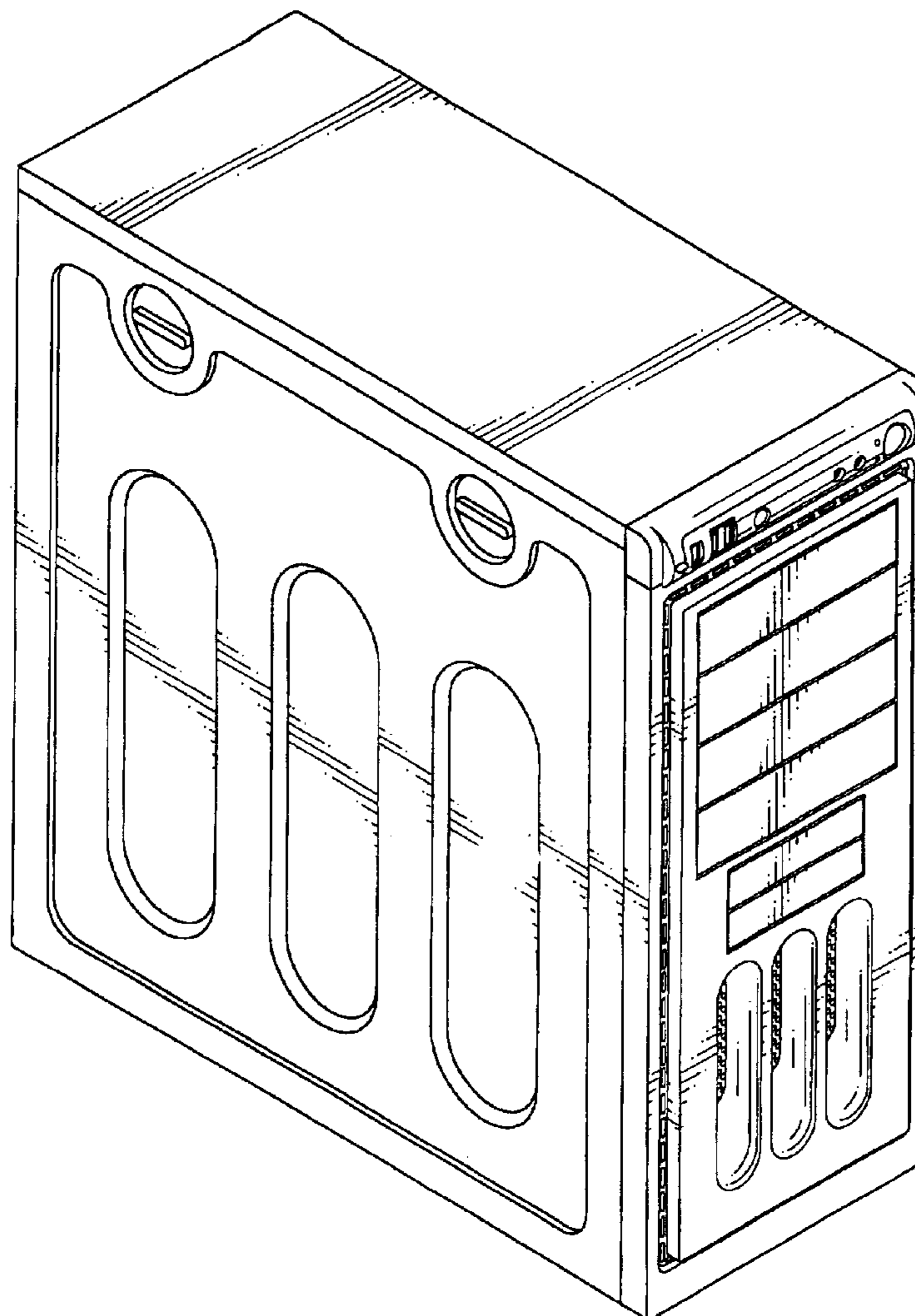
FIG. 7 is a bottom plan view thereof.

(56) **References Cited**

U.S. PATENT DOCUMENTS

D408,797 S * 4/1999 Yeh et al. D14/349

1 Claim, 5 Drawing Sheets



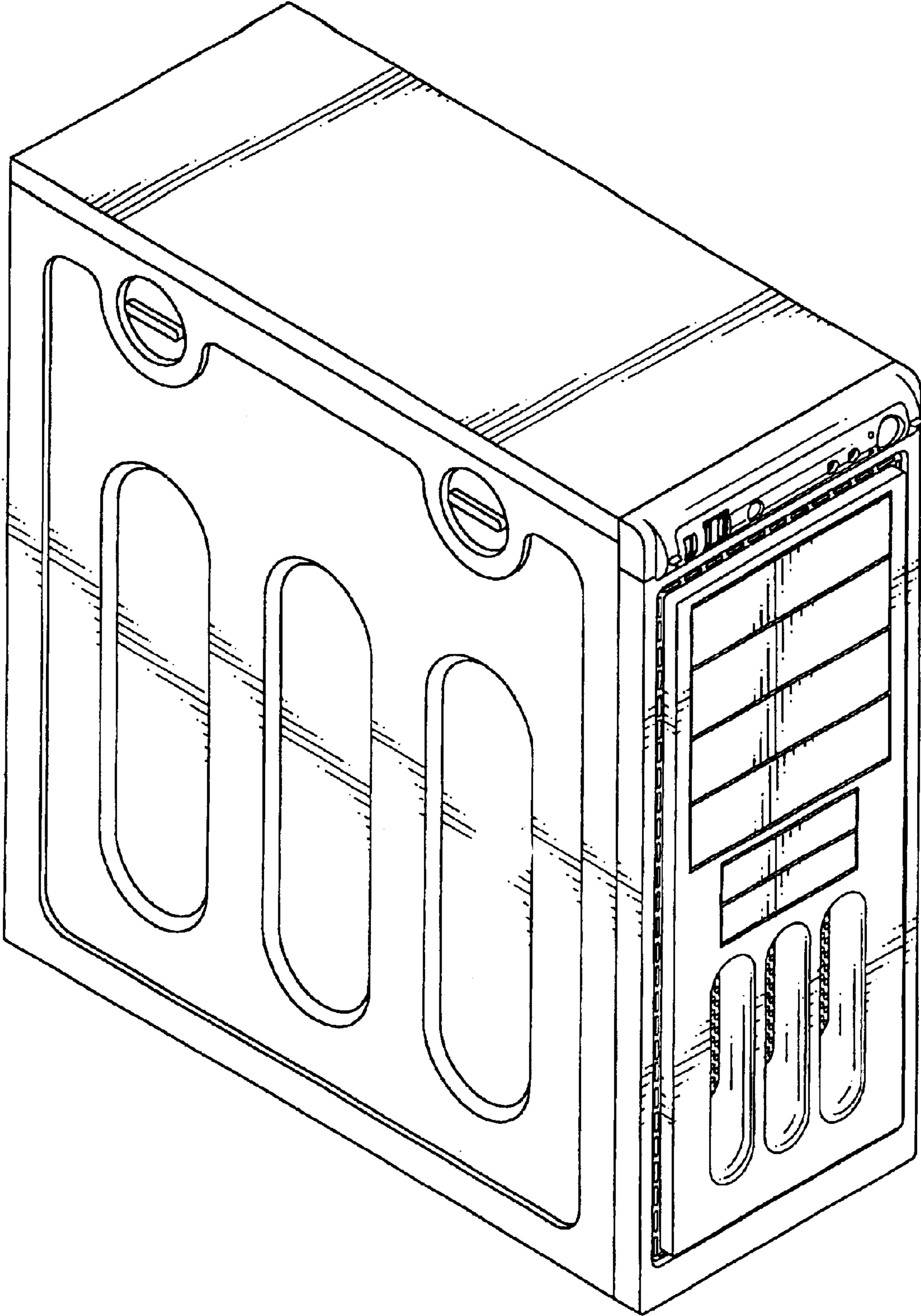


FIG. 1

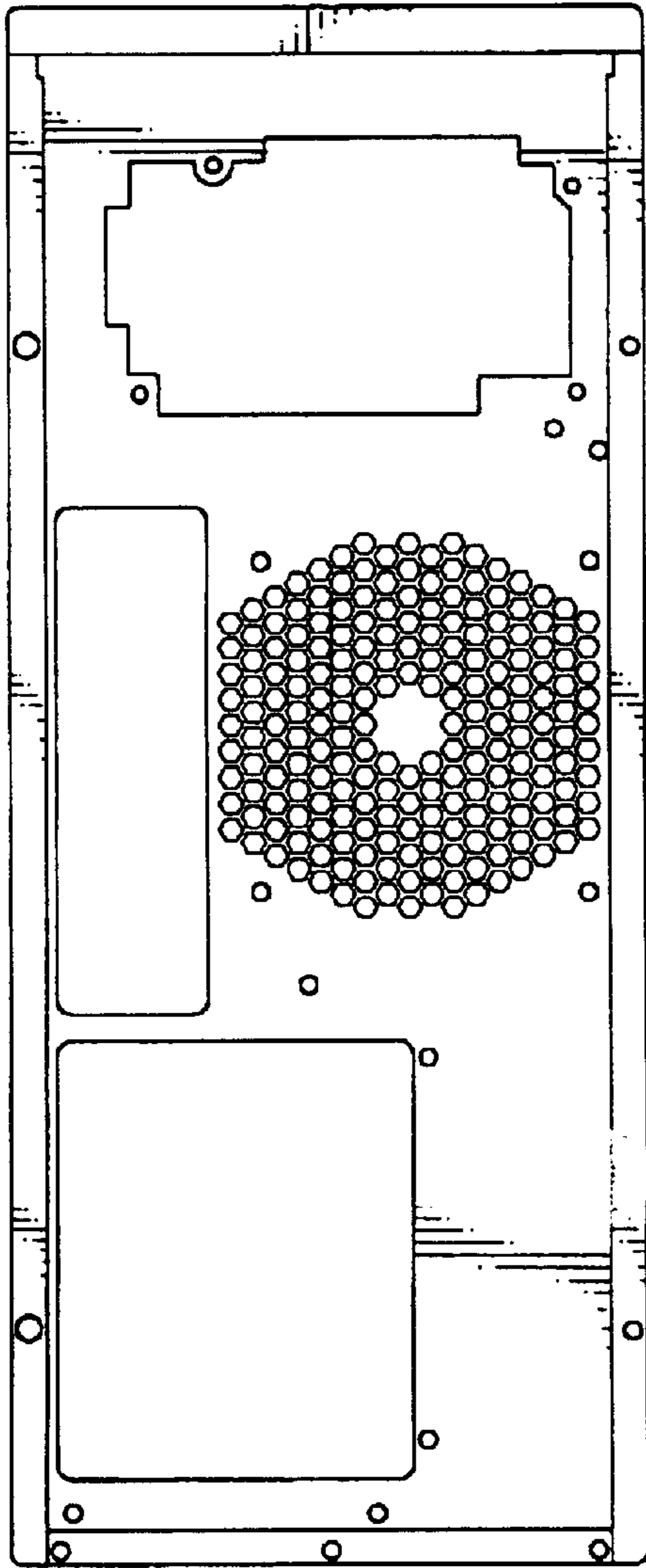


FIG. 3

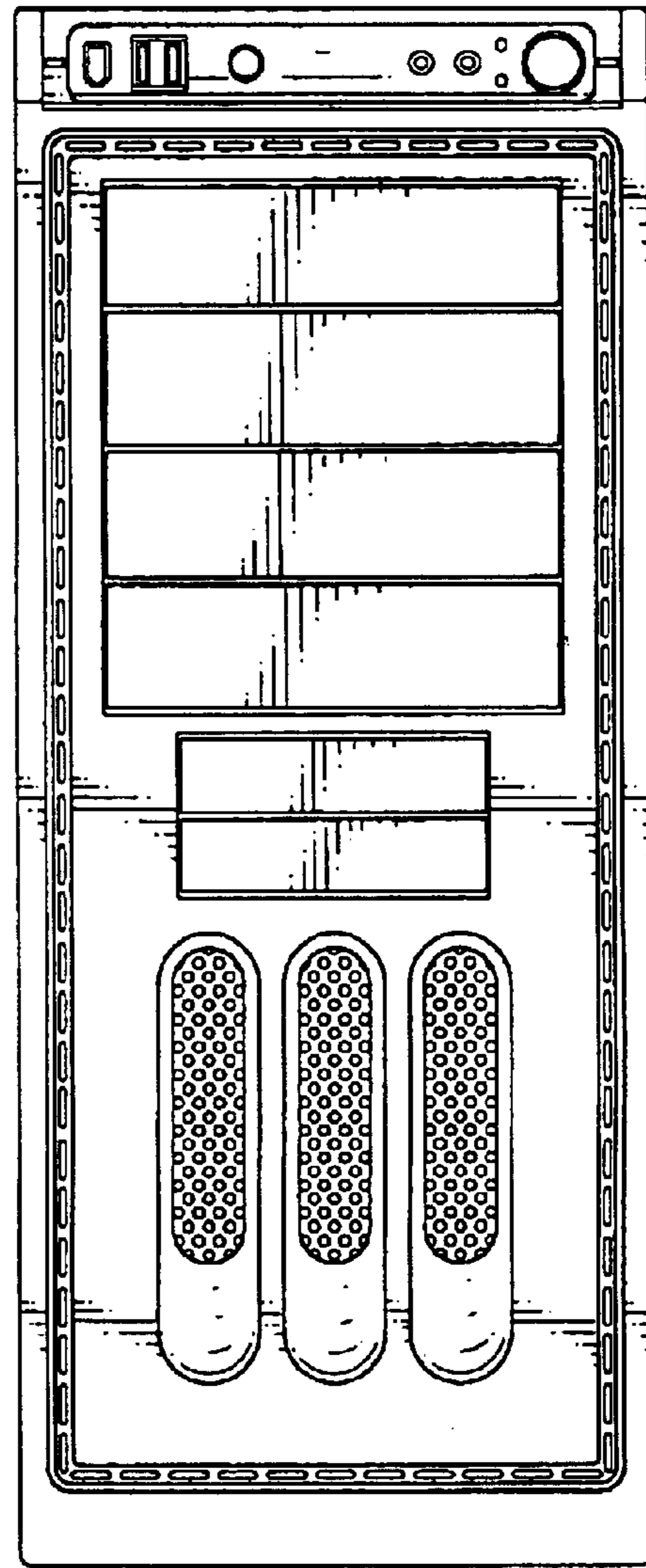


FIG. 2

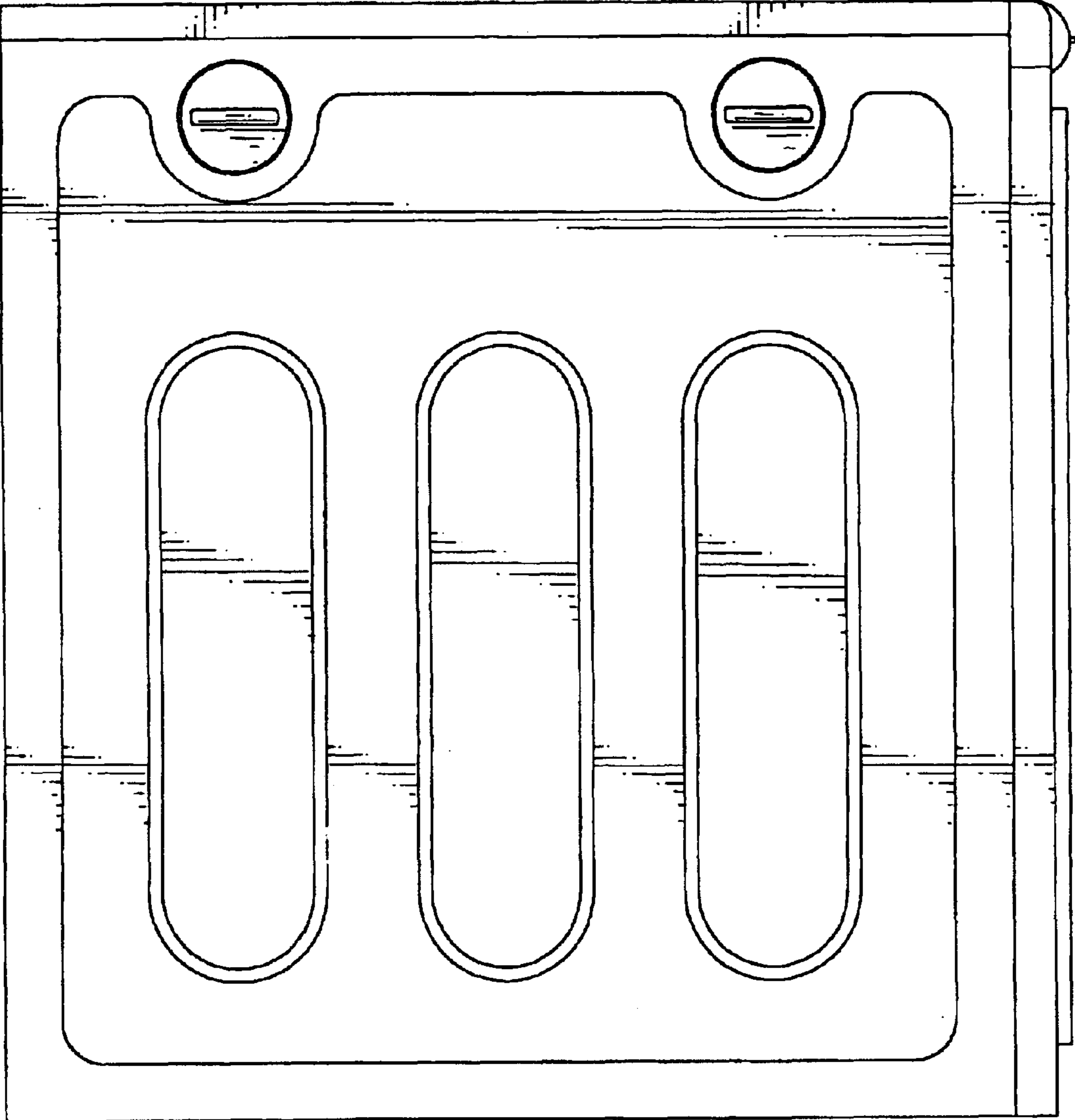


FIG. 4

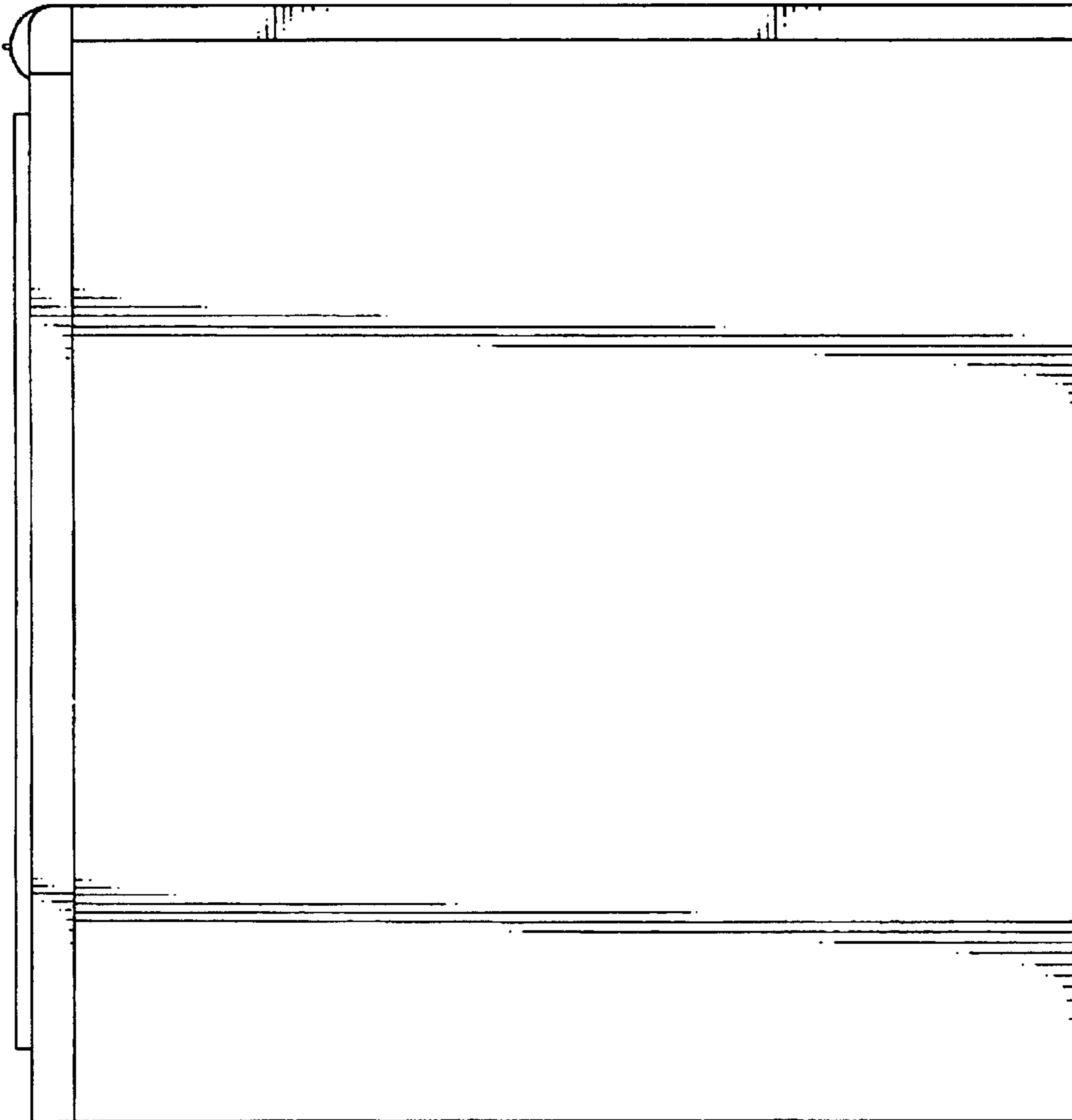


FIG. 5

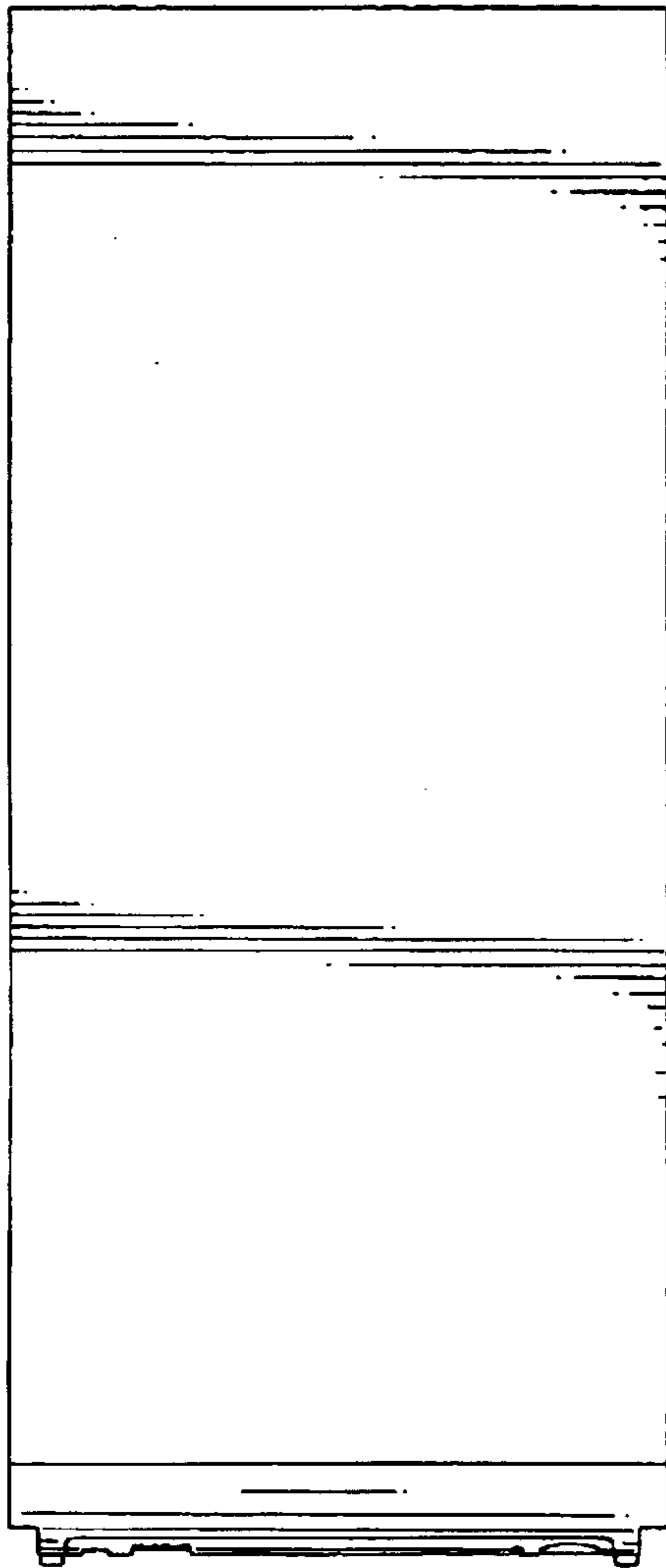


FIG. 6

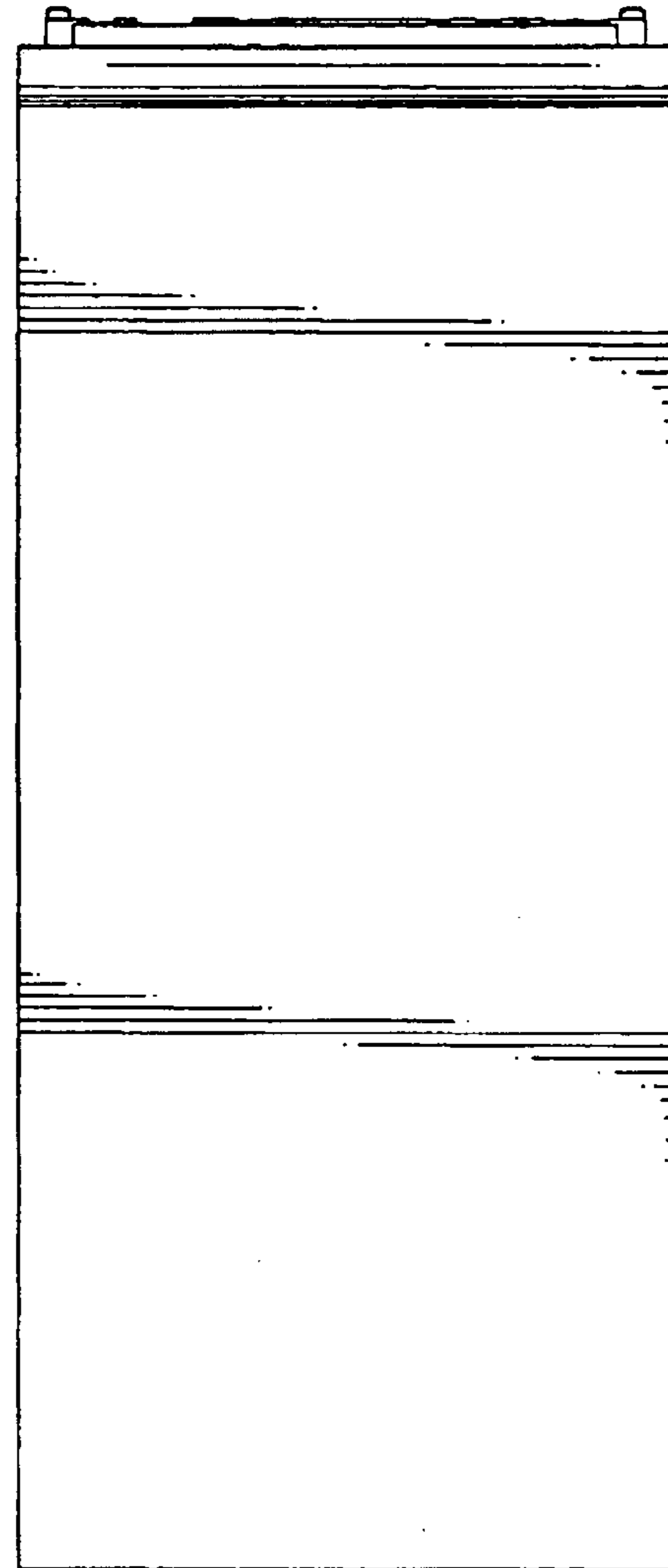


FIG. 7