



US00D492677S1

(12) **United States Design Patent**
Shimizu

(10) **Patent No.:** **US D492,677 S**
(45) **Date of Patent:** **** Jul. 6, 2004**

(54) **NOTEBOOK COMPUTER**
(75) **Inventor:** **Eiichi Shimizu, Kyoto-fu (JP)**
(73) **Assignee:** **Sharp Kabushiki Kaisha (JP)**
(**) **Term:** **14 Years**

D421,972 S 3/2000 Makidera et al.
D425,874 S 5/2000 Tanimura
D426,835 S 6/2000 Tanimura
D431,821 S * 10/2000 Mizuno D14/318
D444,462 S 7/2001 Tsuji
D444,464 S * 7/2001 Amano et al. D14/322
6,323,902 B1 * 11/2001 Ishikawa 348/373
D466,498 S * 12/2002 Wang D14/318

(21) **Appl. No.:** **29/185,844**
(22) **Filed:** **Jul. 7, 2003**
(30) **Foreign Application Priority Data**

Jan. 7, 2003 (JP) 2003-000066

(51) **LOC (7) Cl.** **14-02**
(52) **U.S. Cl.** **D14/318**
(58) **Field of Search** D14/315, 316,
D14/318, 322; D18/1, 7, 11, 12; 235/145 A,
145 R; 345/104, 156, 168, 169, 173; 341/22,
23; 361/680-686; 400/486, 489; 348/373

(56) **References Cited**

U.S. PATENT DOCUMENTS

D330,016 S 10/1992 Mizusugi et al.
D334,182 S 3/1993 Mizusugi et al.
D335,124 S 4/1993 Mizusugi et al.
D338,879 S * 8/1993 Iino D14/316
D338,880 S 8/1993 Mizusugi et al.
D339,114 S 9/1993 Mizusugi et al.
D340,920 S 11/1993 Okuda et al.
D340,921 S 11/1993 Mizusugi et al.
D343,167 S 1/1994 Mizusugi et al.
D344,496 S 2/1994 Mizusugi et al.
D357,674 S 4/1995 Mizusugi
D384,043 S 9/1997 Tamaki
D385,856 S 11/1997 Kawa
D398,904 S 9/1998 Tamaki et al.
D405,434 S 2/1999 Mizuno
D411,181 S 6/1999 Tamaki et al.
D413,107 S 8/1999 Kawa et al.
D415,466 S 10/1999 Kawa
D419,535 S 1/2000 Tanimura

OTHER PUBLICATIONS

U.S. patent application Ser. No. 29/163,344, Tanumura, filed Jul. 2002.

U.S. patent application Ser. No. 29/170,551, Kawa, filed Sep. 2003.

* cited by examiner

Primary Examiner—Freda S. Nunn

(74) *Attorney, Agent, or Firm*—Nixon & Vanderhye P.C.

(57) **CLAIM**

The ornamental design for a “notebook computer,” as shown and described.

DESCRIPTION

FIG. 1 is a top, front and right side perspective view of a notebook computer according to my design;
FIG. 2 is a front elevational view thereof;
FIG. 3 is a rear elevational view thereof;
FIG. 4 is a top plan view thereof;
FIG. 5 is a bottom plan view thereof;
FIG. 6 is a right side elevational view thereof;
FIG. 7 is a left side elevational view thereof;
FIG. 8 is a top, front and right side perspective view thereof in a closed position;
FIG. 9 is a front elevational view thereof;
FIG. 10 is a rear elevational view thereof;
FIG. 11 is a top plan view thereof;
FIG. 12 is a right side elevational view thereof; and,
FIG. 13 is a left side elevational view thereof.

1 Claim, 11 Drawing Sheets

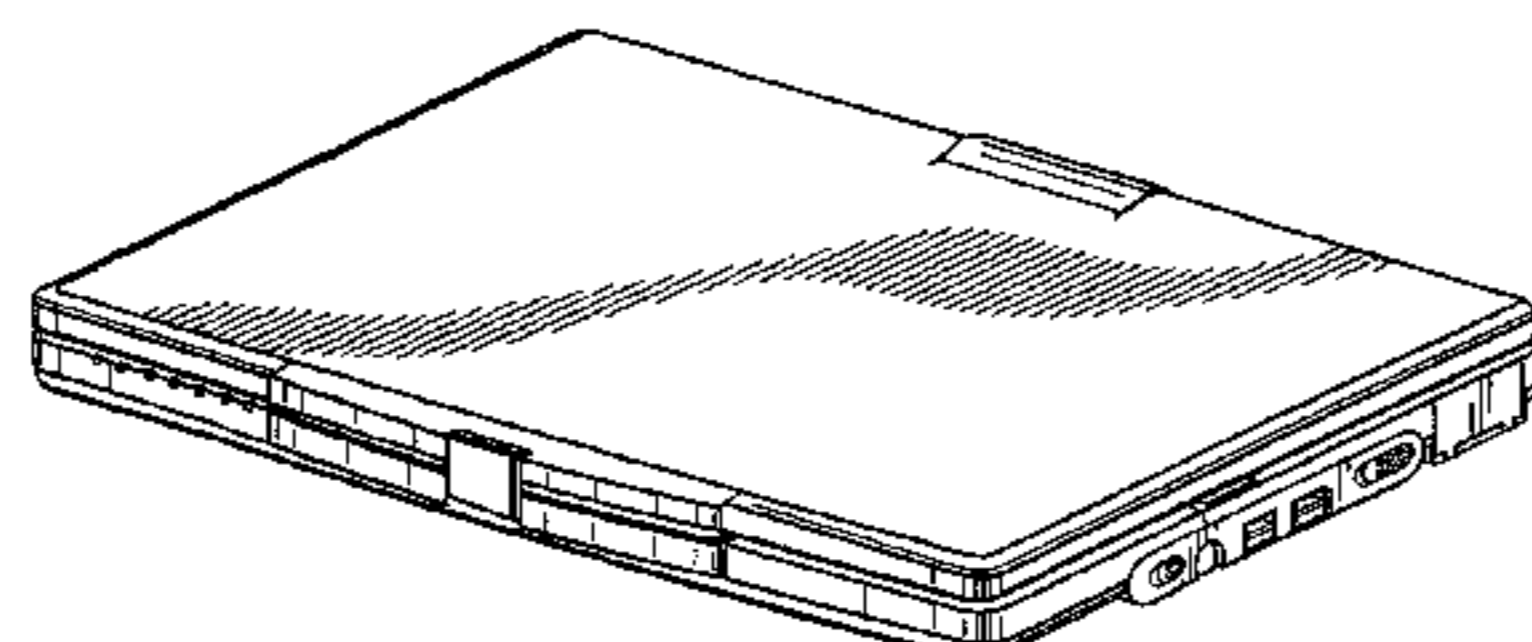
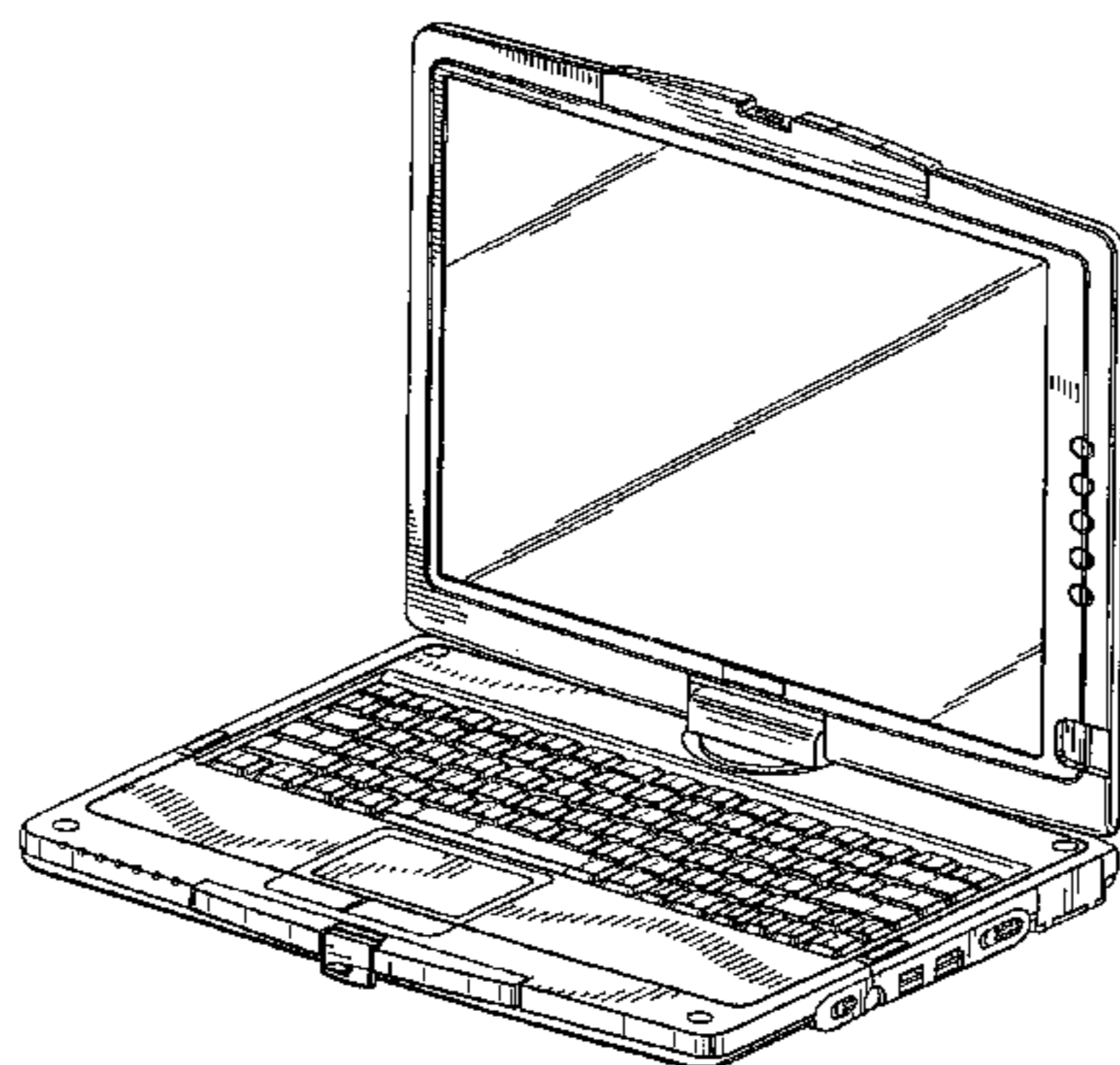


Fig. 1

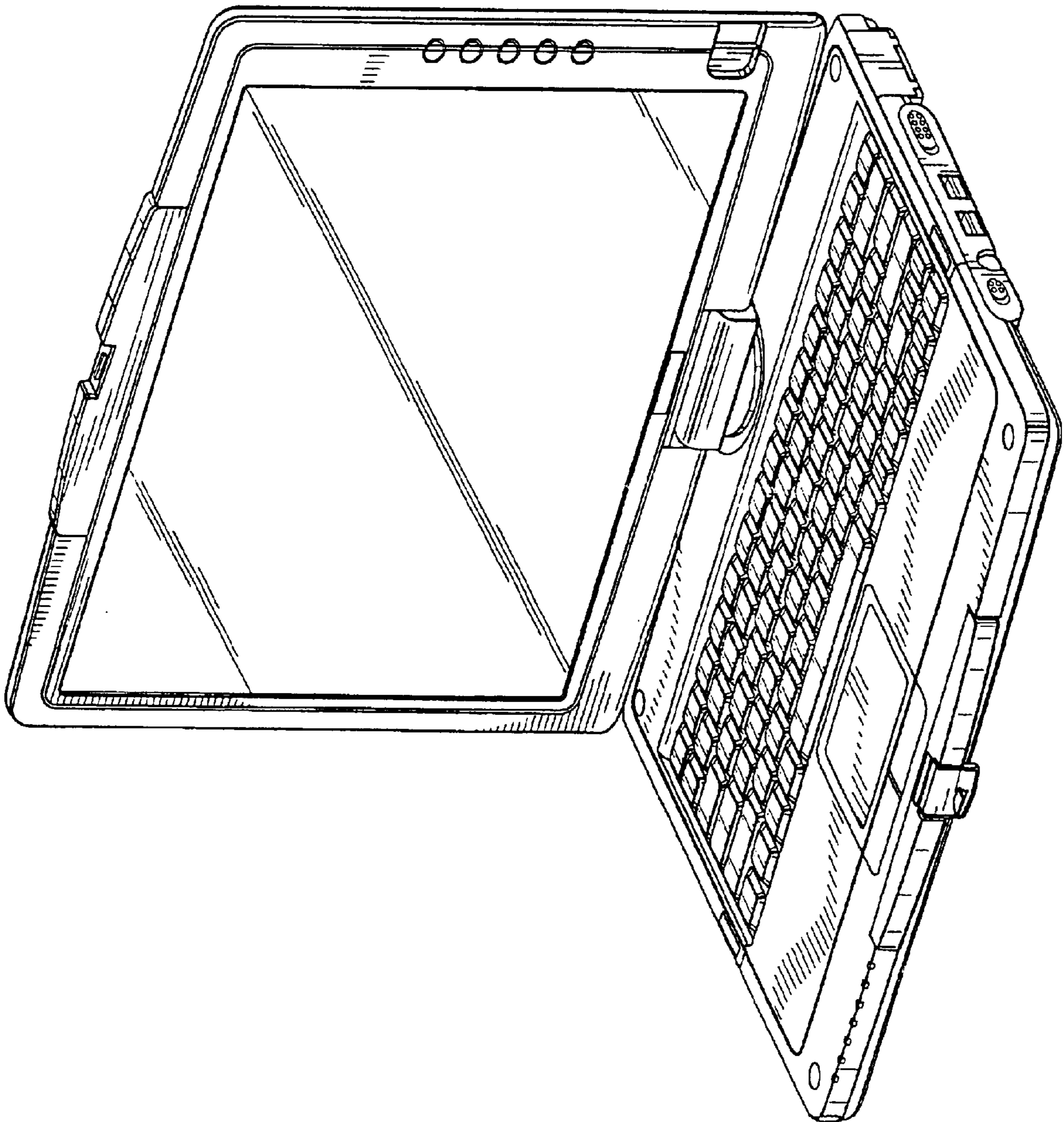


Fig. 2

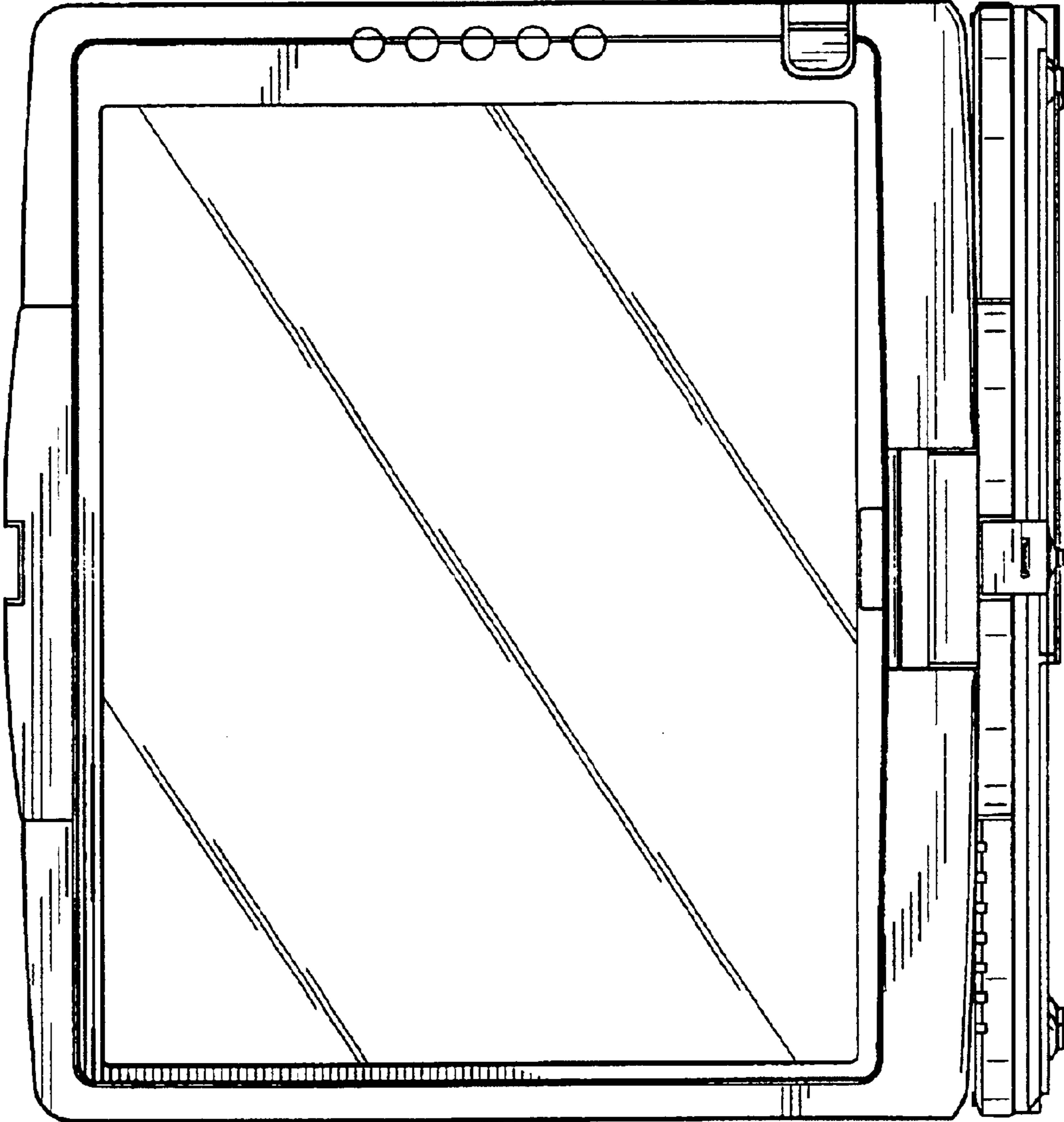


Fig. 3

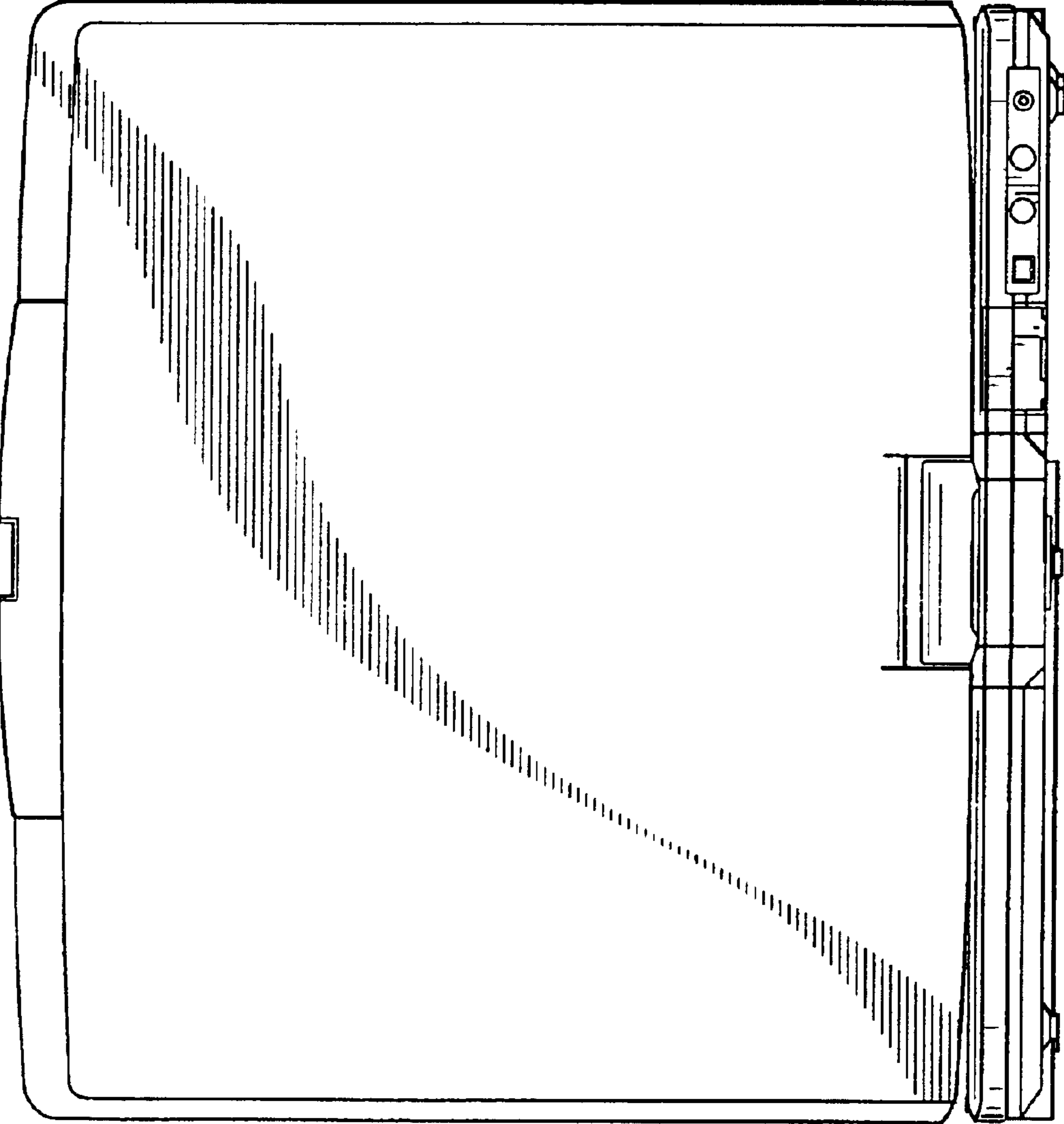


Fig. 4

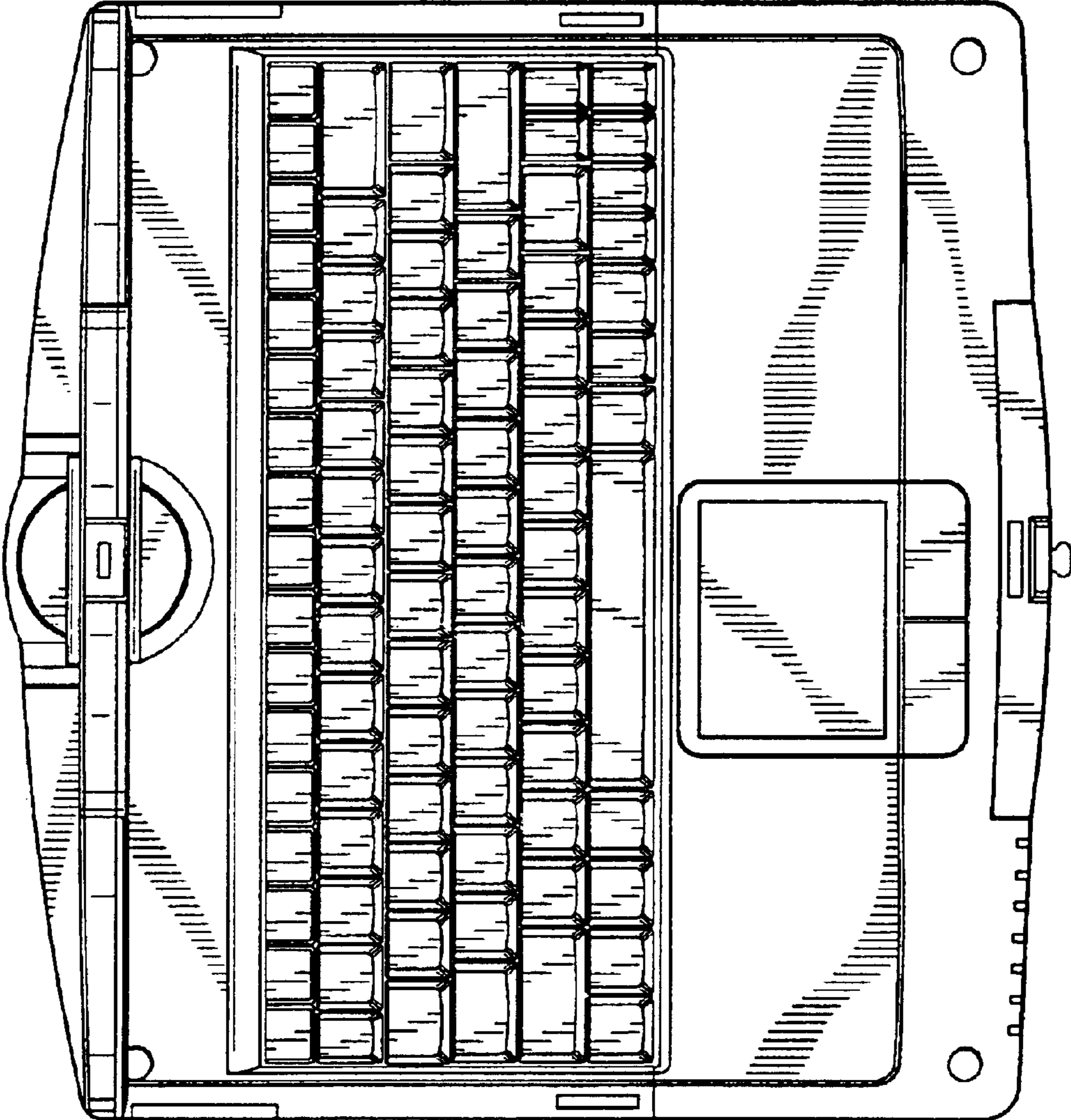
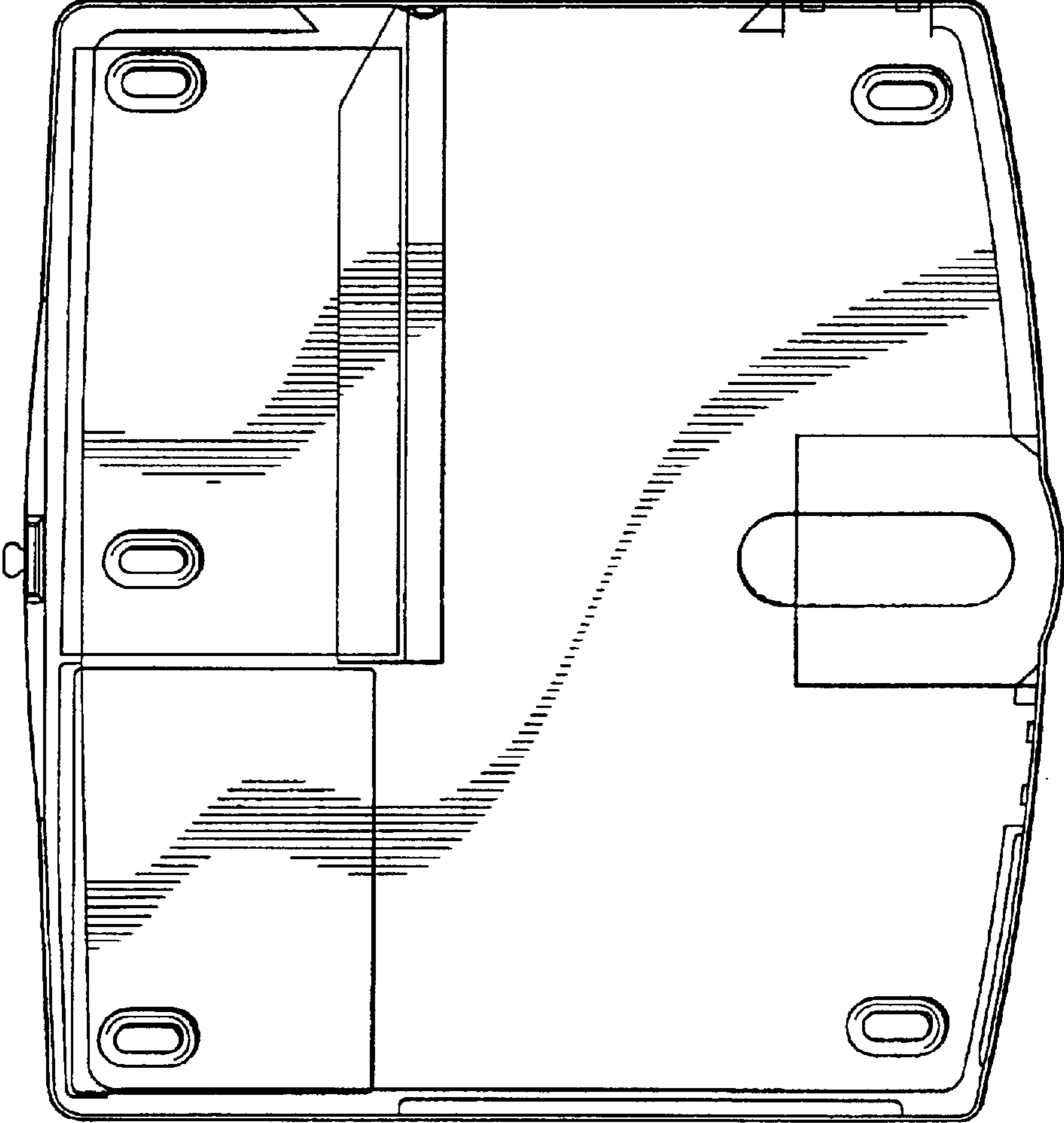


Fig. 5



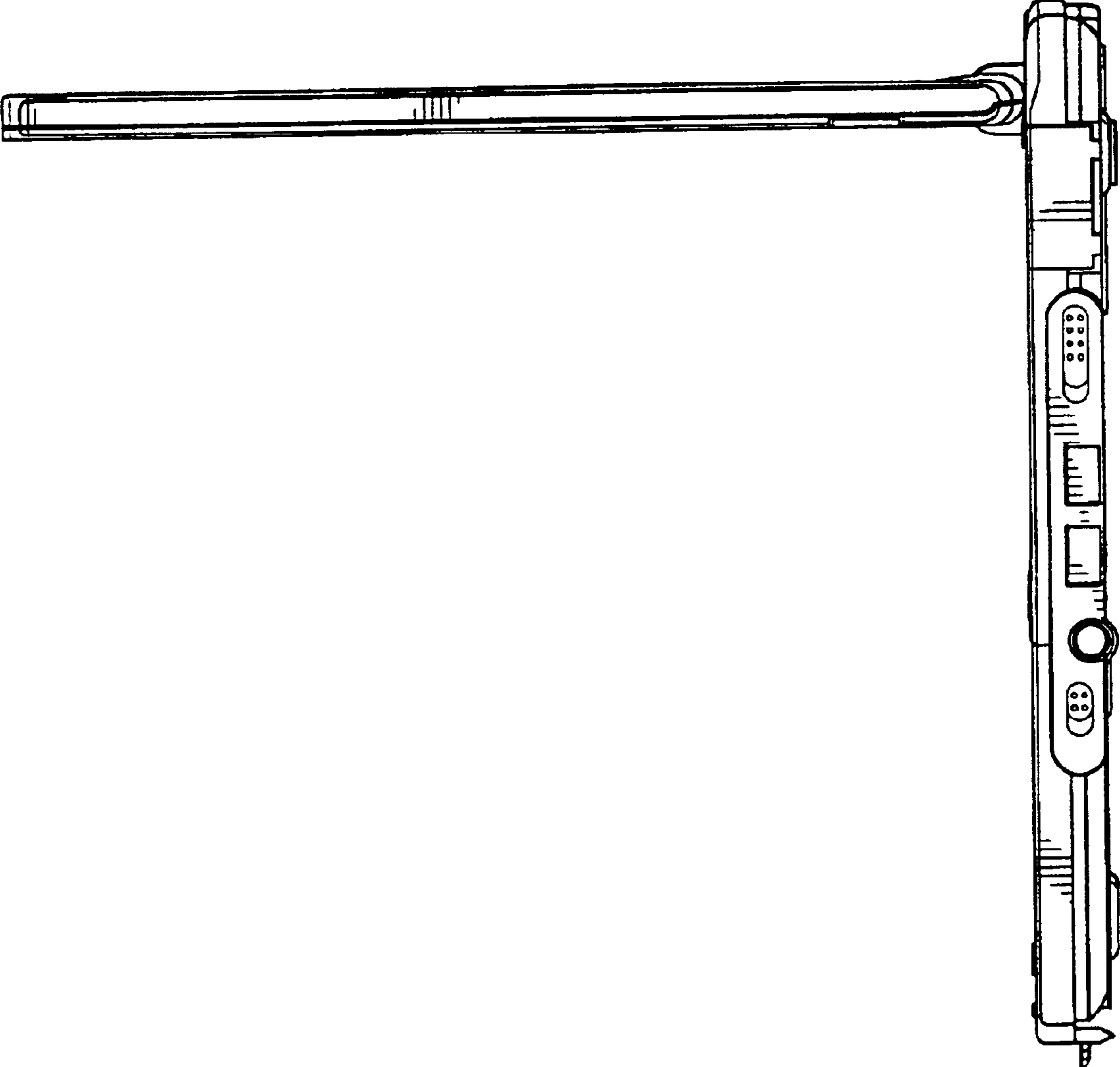


Fig.6

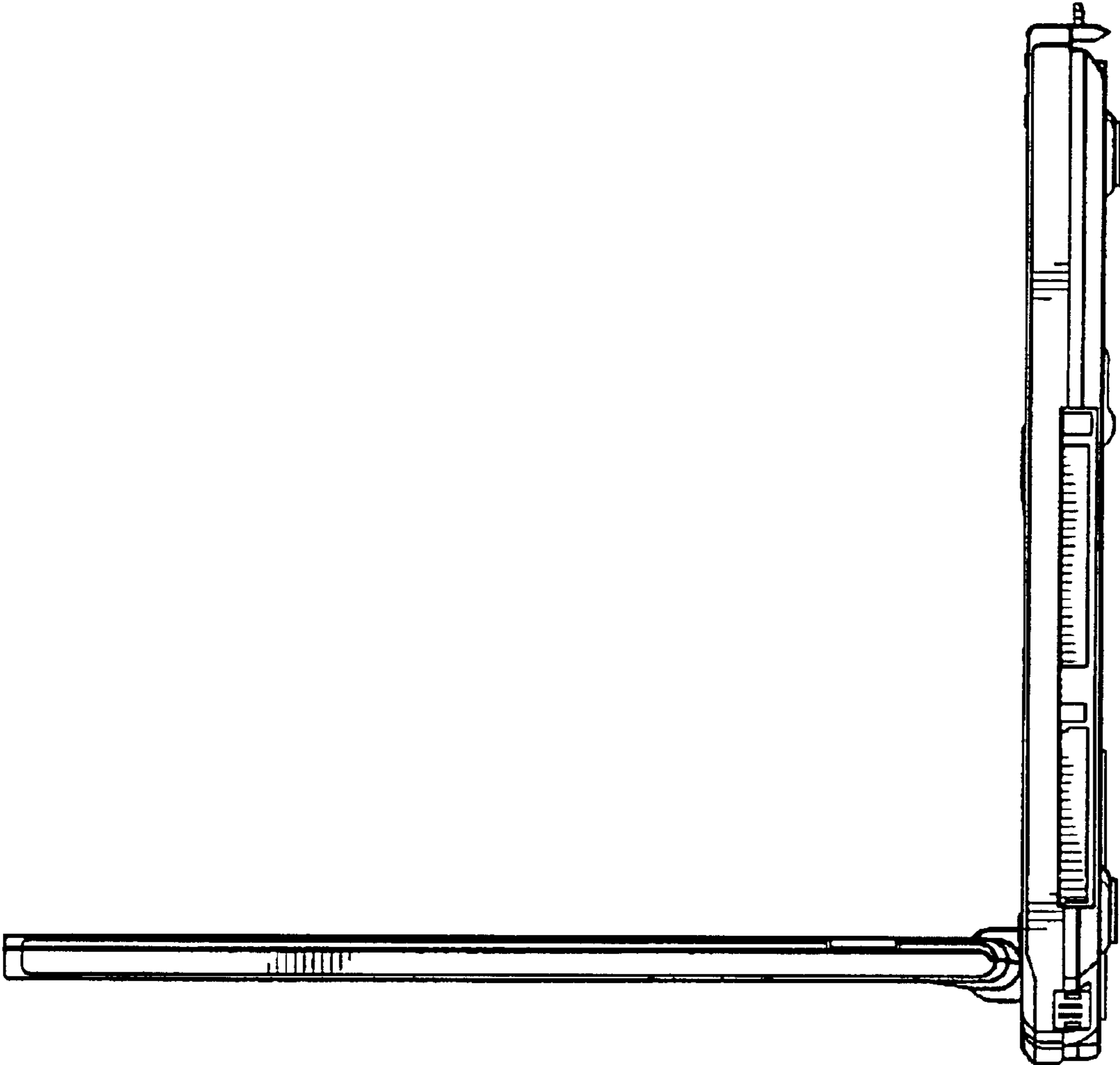


Fig. 7

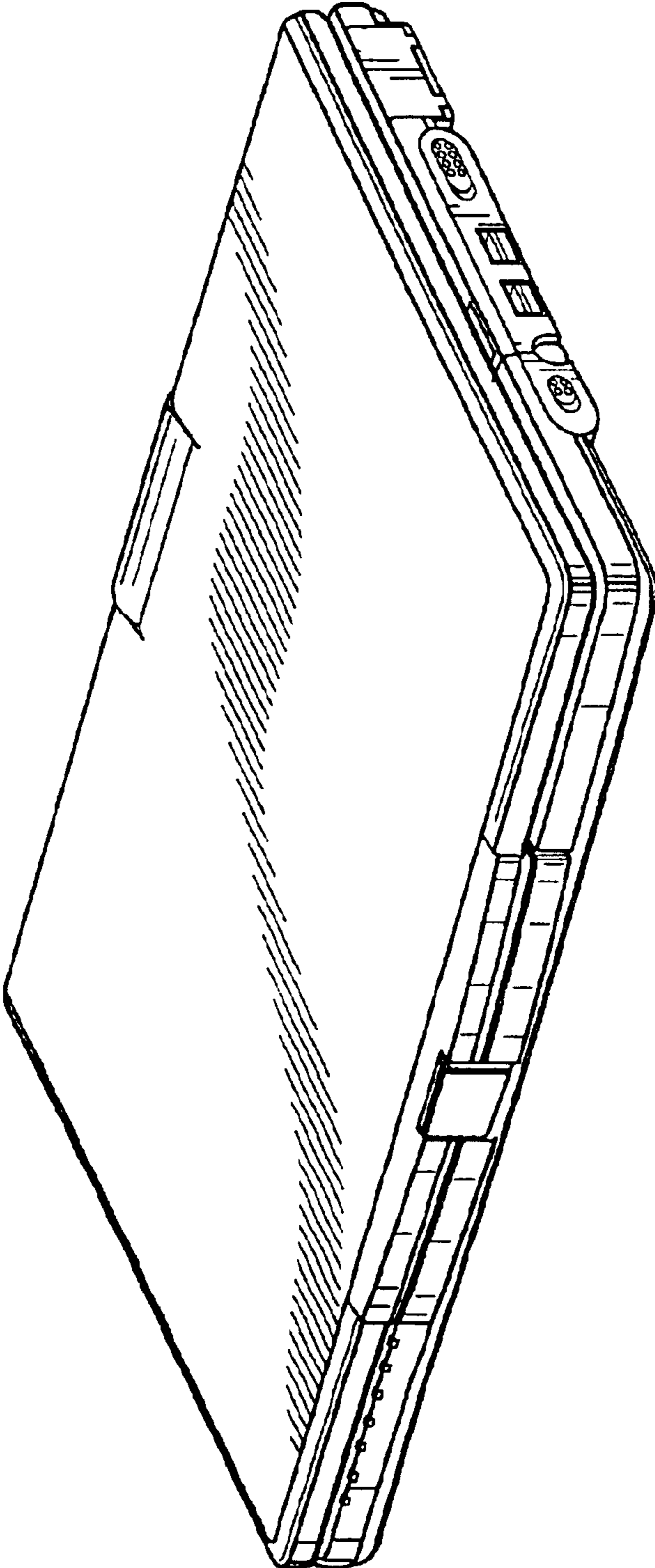


Fig. 8

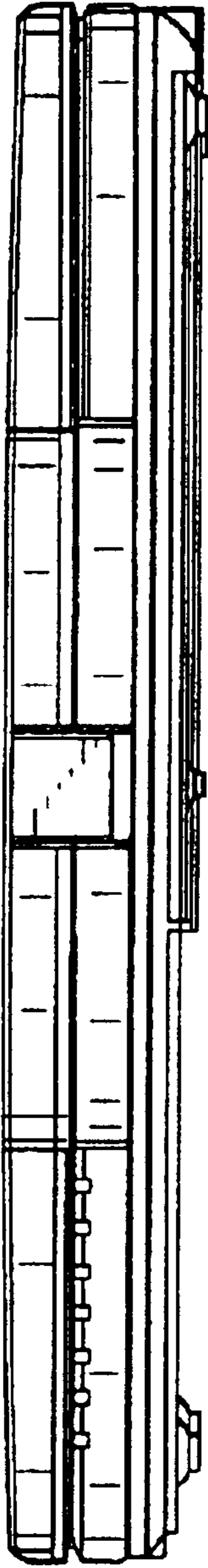


Fig. 9



Fig. 10

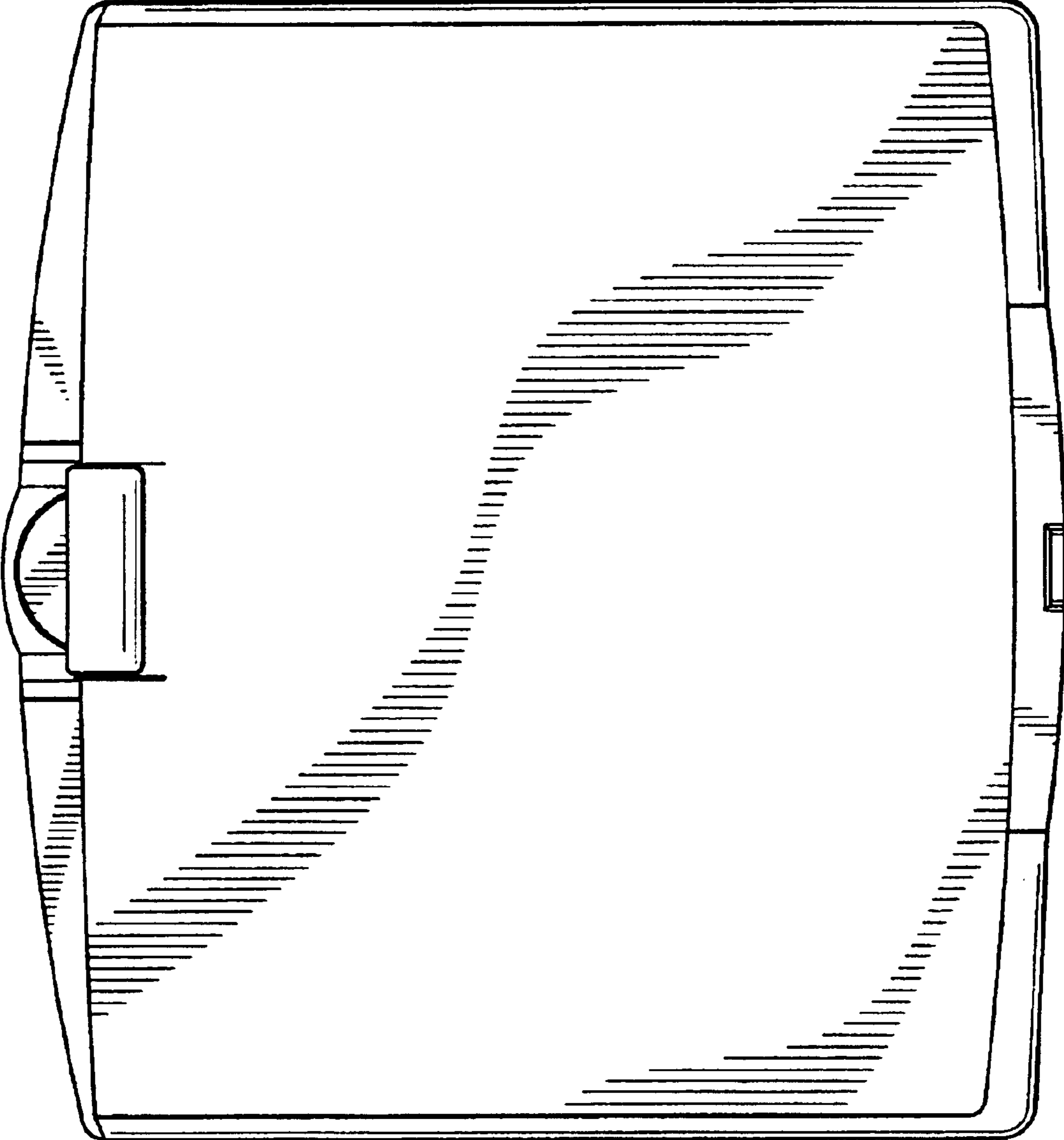


Fig. 11

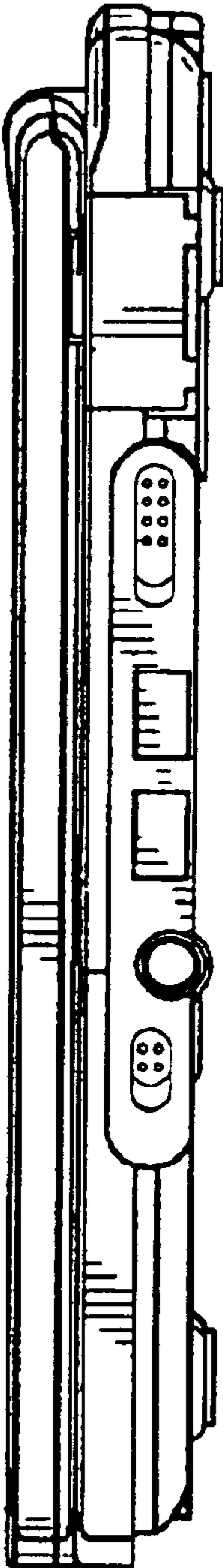


Fig. 12

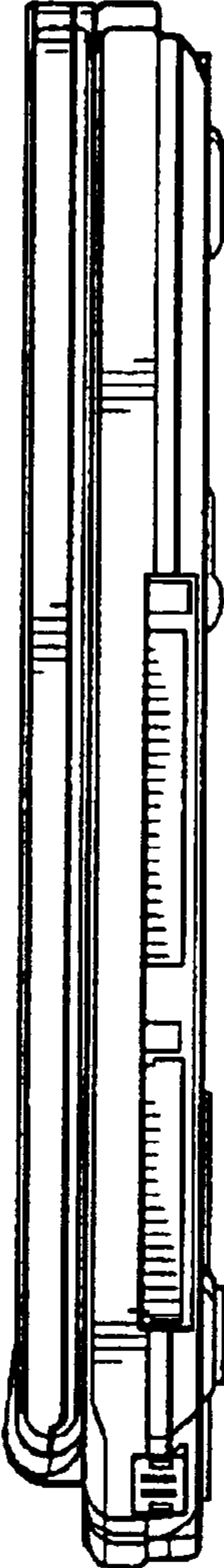


Fig. 13