

US00D492676S1

(12) **United States Design Patent**
Monson et al.

(10) **Patent No.:** **US D492,676 S**
(45) **Date of Patent:** **** Jul. 6, 2004**

(54) **VIDEO DISPLAY CONSOLE WITH DUAL UPRIGHT DISPLAYS**

D415,124 S * 10/1999 Rooyakkers et al. D14/306
D428,864 S * 8/2000 Rooyakkers et al. D14/306
D440,543 S * 4/2001 Kodimer D14/127

(75) Inventors: **Robert J. Monson**, St. Paul, MN (US);
Douglas H. Azinger, Prior Lake, MN (US);
Julia A. Neuman, St. Paul, MN (US);
Michael E. Smith, St. Bonifacius, MN (US);
Jianhua (Jack) Yan, Prior Lake, MN (US)

* cited by examiner

Primary Examiner—Freda Nunn
(74) *Attorney, Agent, or Firm*—Kevin W. Cyr; Patrick M. Hogan

(73) Assignee: **Lockheed Martin Corporation**, Bethesda, MD (US)

(57) **CLAIM**

The ornamental design for a video display console with dual upright displays, as shown and described.

(**) Term: **14 Years**

DESCRIPTION

(21) Appl. No.: **29/174,640**

FIG. 1 is a right front isometric view of a first embodiment of the invention;
FIG. 2 is a right rear isometric view of the first embodiment;
FIG. 3 is a front view of the first embodiment;
FIG. 4 is a right side view of the first embodiment;
FIG. 5 is a rear view of the first embodiment;
FIG. 6 is a right front isometric view of a second embodiment of the invention;
FIG. 7 is a right rear isometric view of the second embodiment;
FIG. 8 is a front view of the second embodiment;
FIG. 9 is a right side view of the second embodiment; and,
FIG. 10 is the rear of the second embodiment.

(22) Filed: **Jan. 20, 2003**

(51) **LOC (7) Cl.** **14-02**

(52) **U.S. Cl.** **D14/306**

(58) **Field of Search** D14/304–308,
D14/125, 127; D6/428, 421–423; 312/194–196,
223.1–223.3; 345/108

(56) **References Cited**

U.S. PATENT DOCUMENTS

D237,976 S * 12/1975 Wolfe et al. D14/305
D339,571 S * 9/1993 Drabczyk et al. D14/306

1 Claim, 10 Drawing Sheets

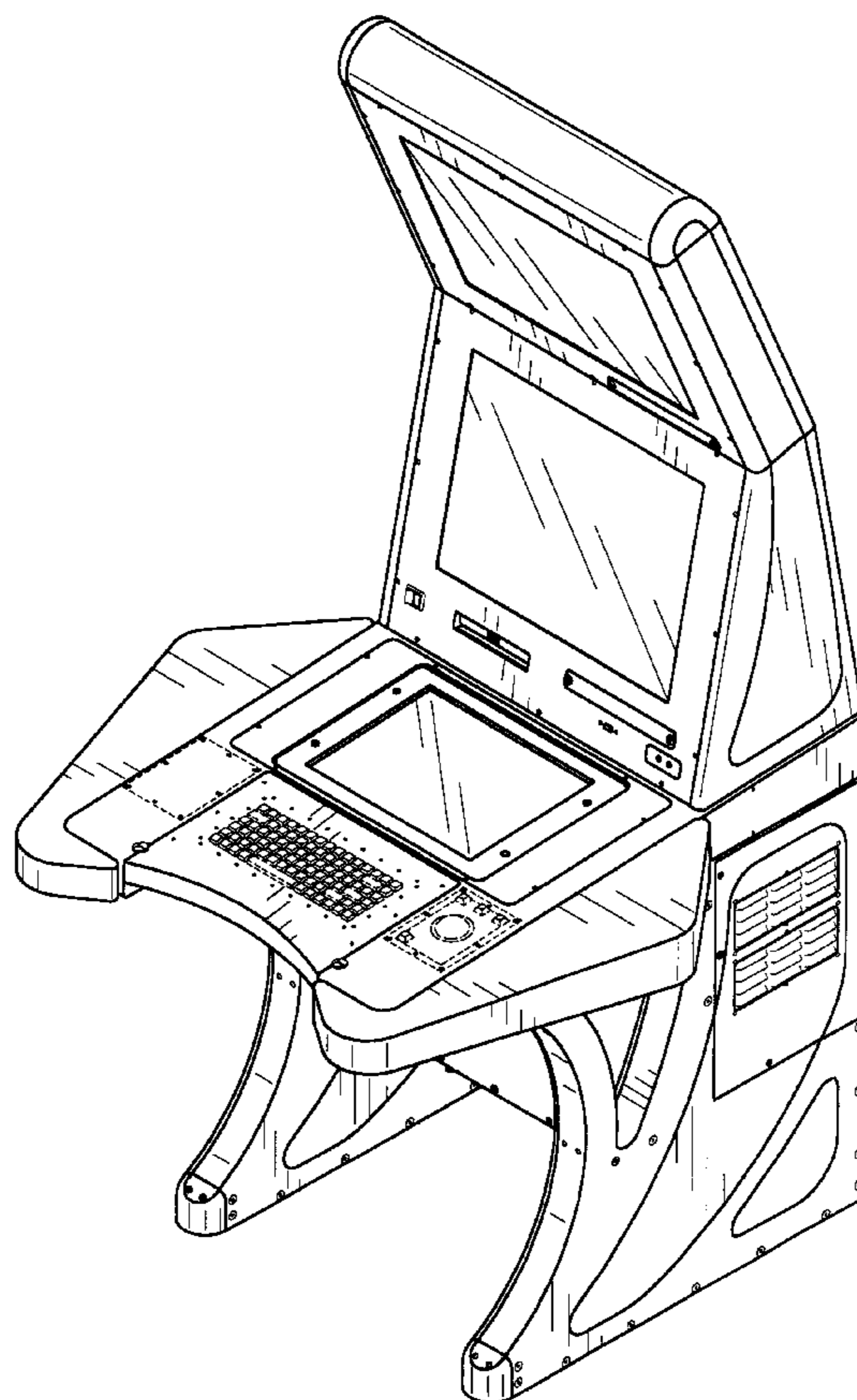


FIG. 1

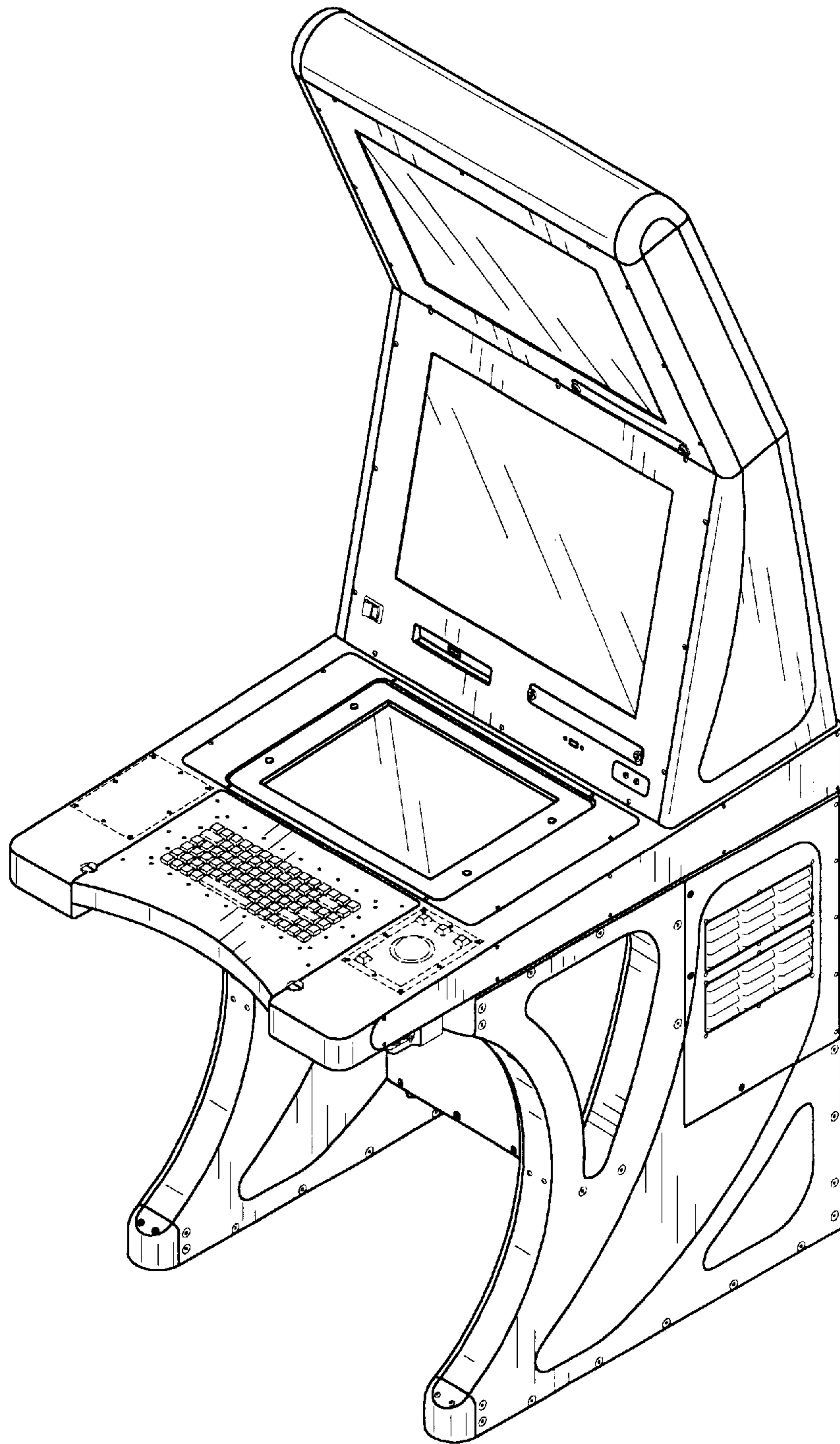


FIG.2

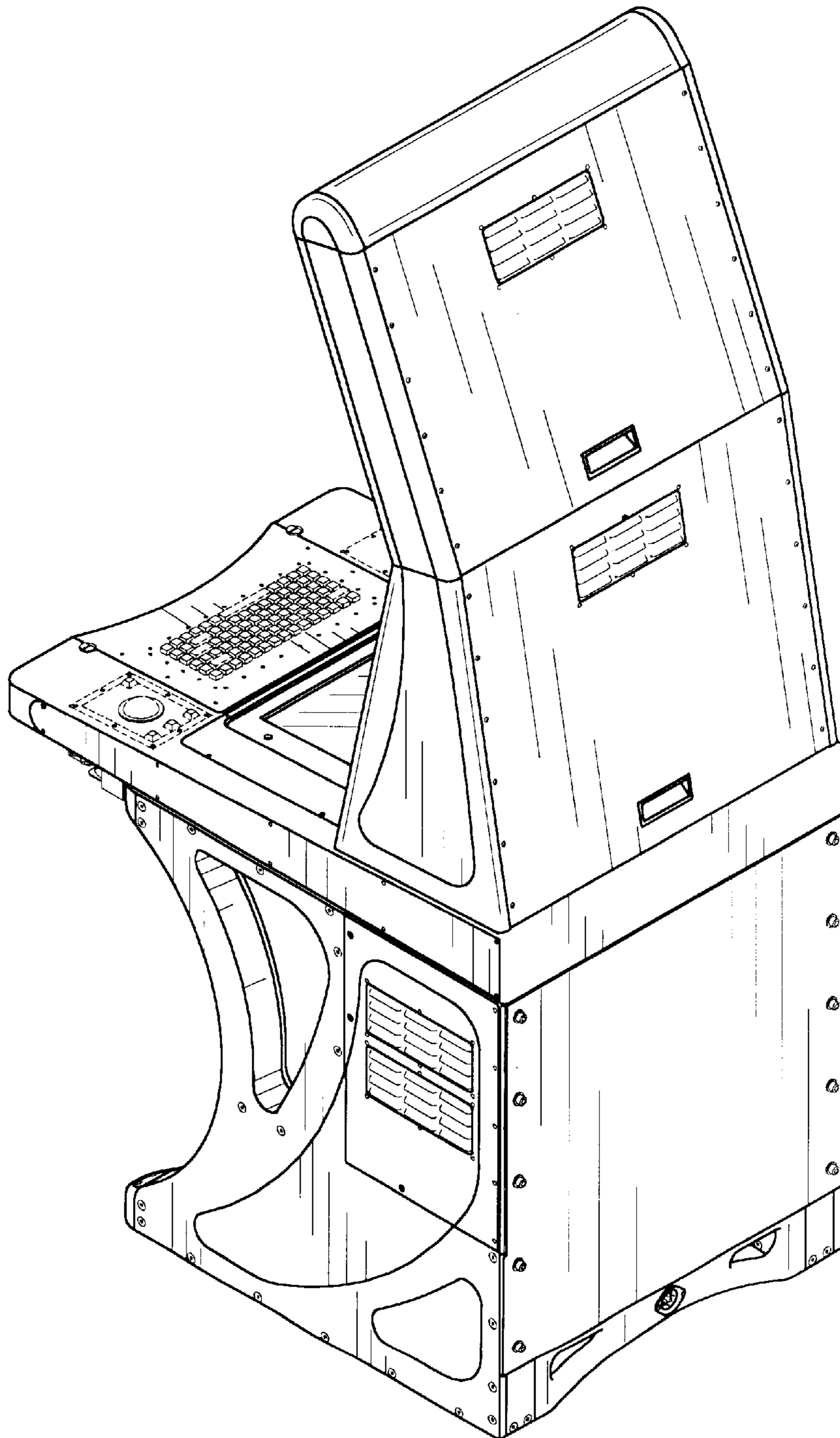


FIG. 3

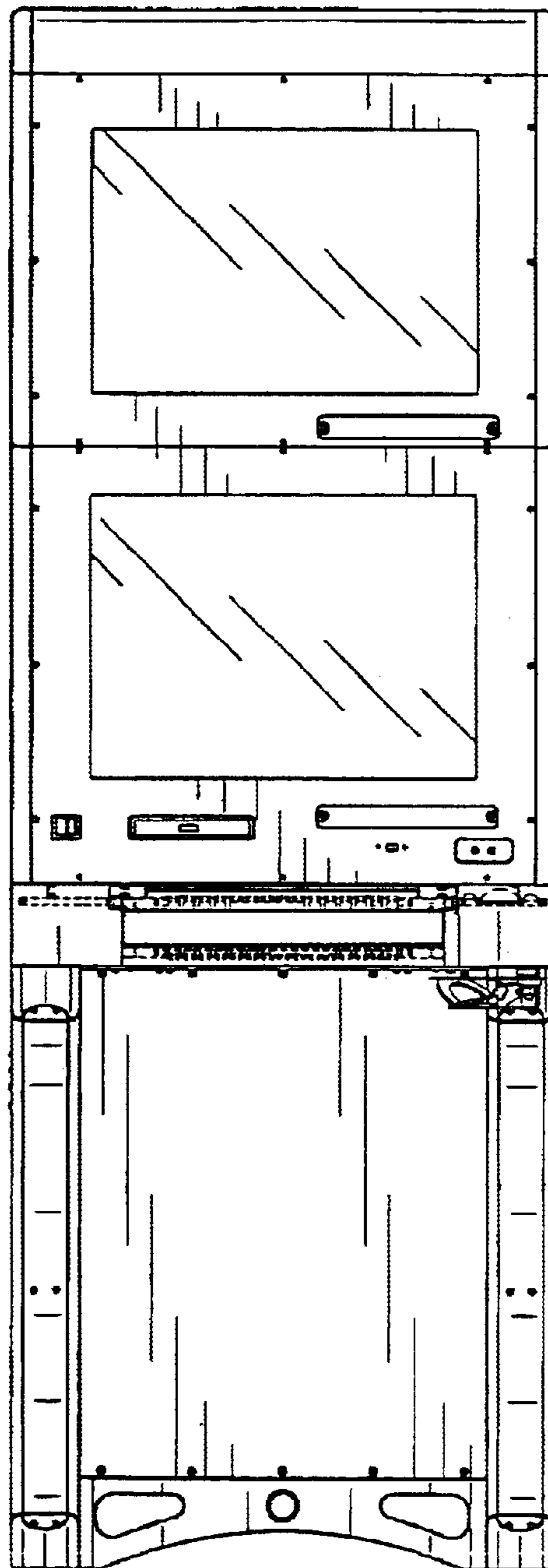


FIG. 4

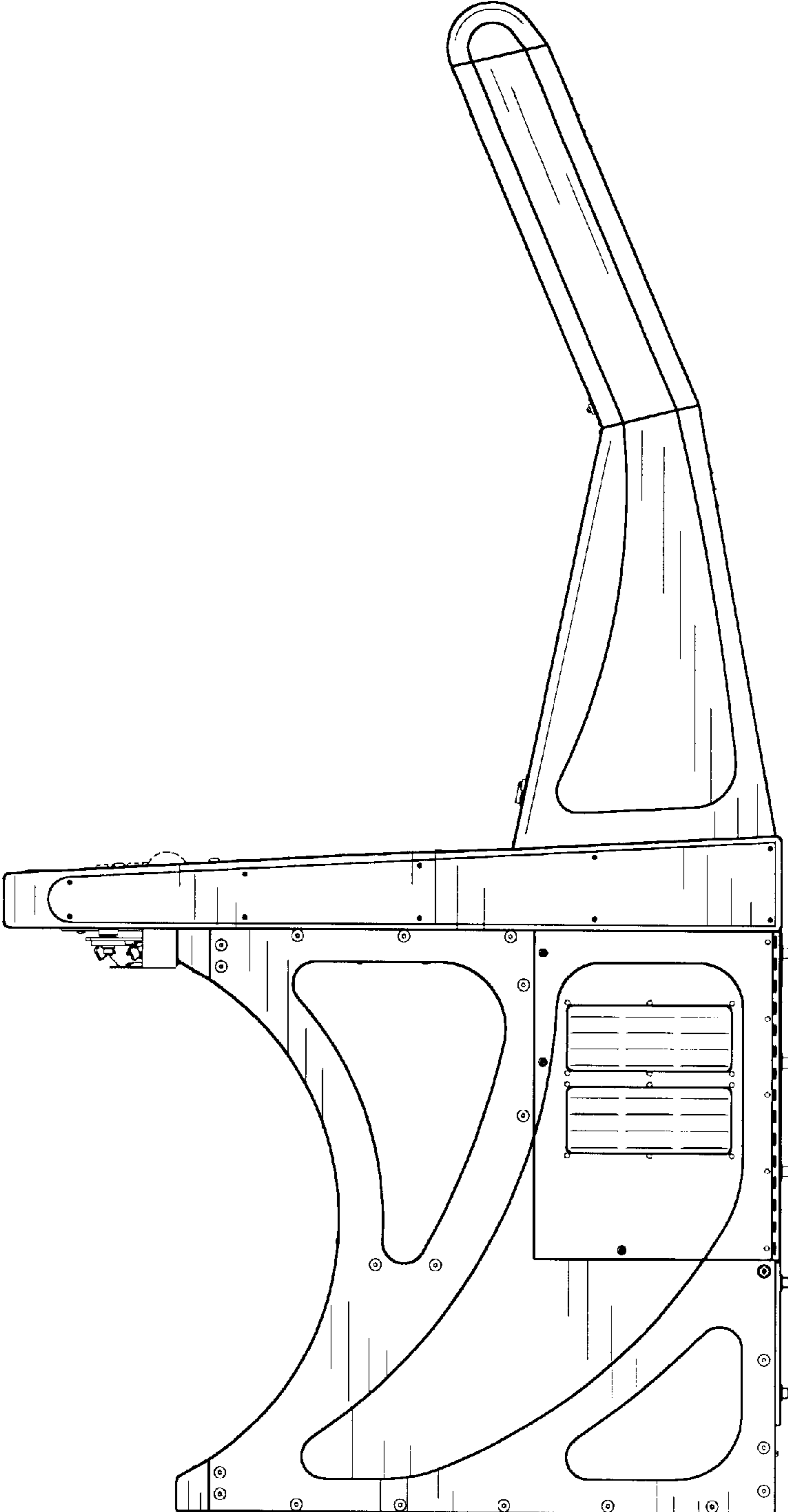


FIG. 5

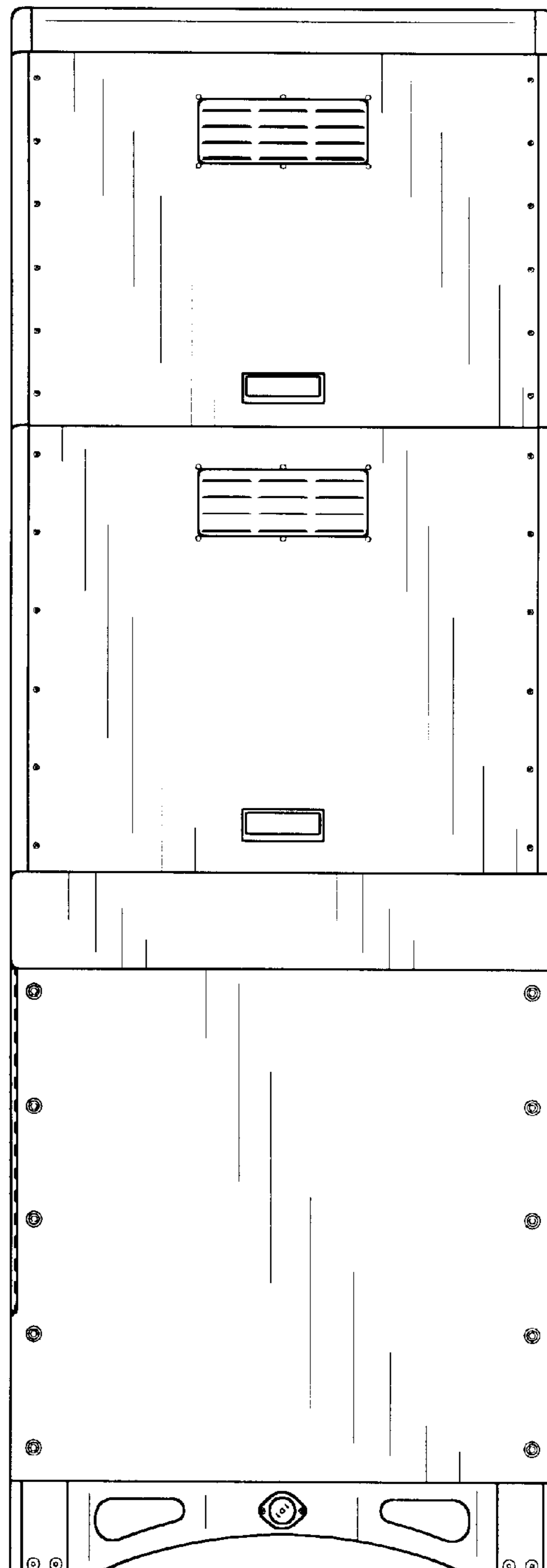


FIG. 6

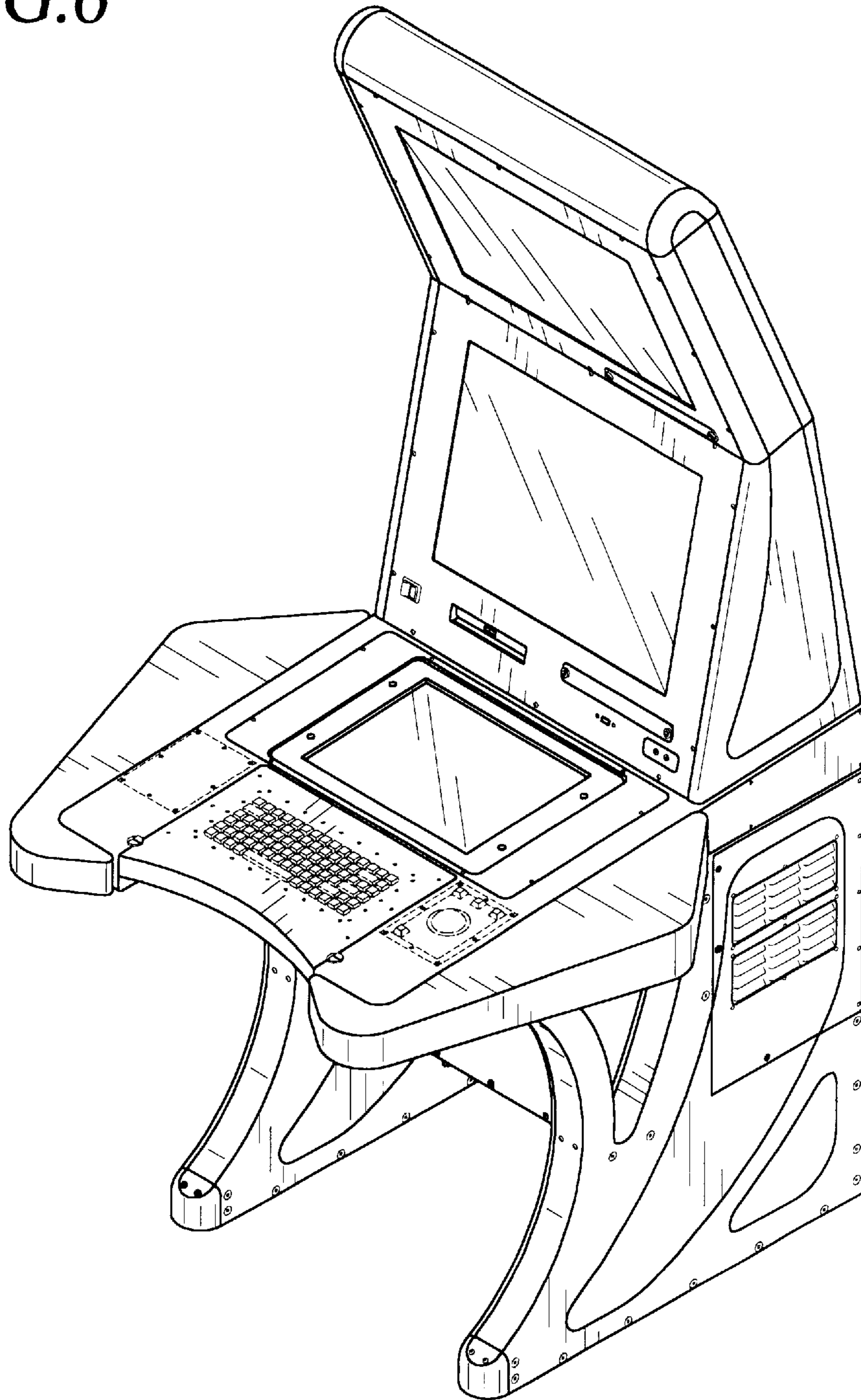


FIG. 7

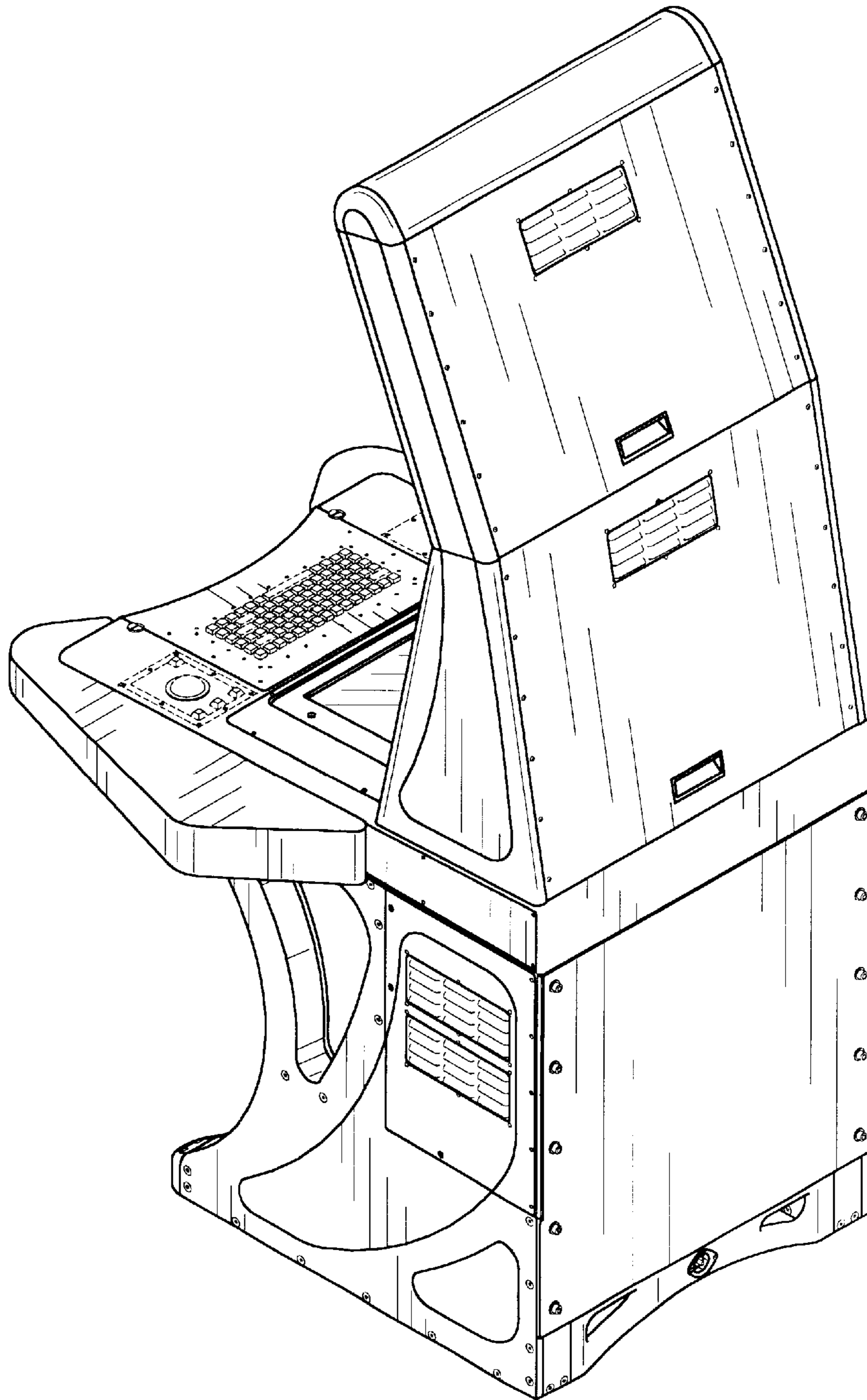


FIG. 8

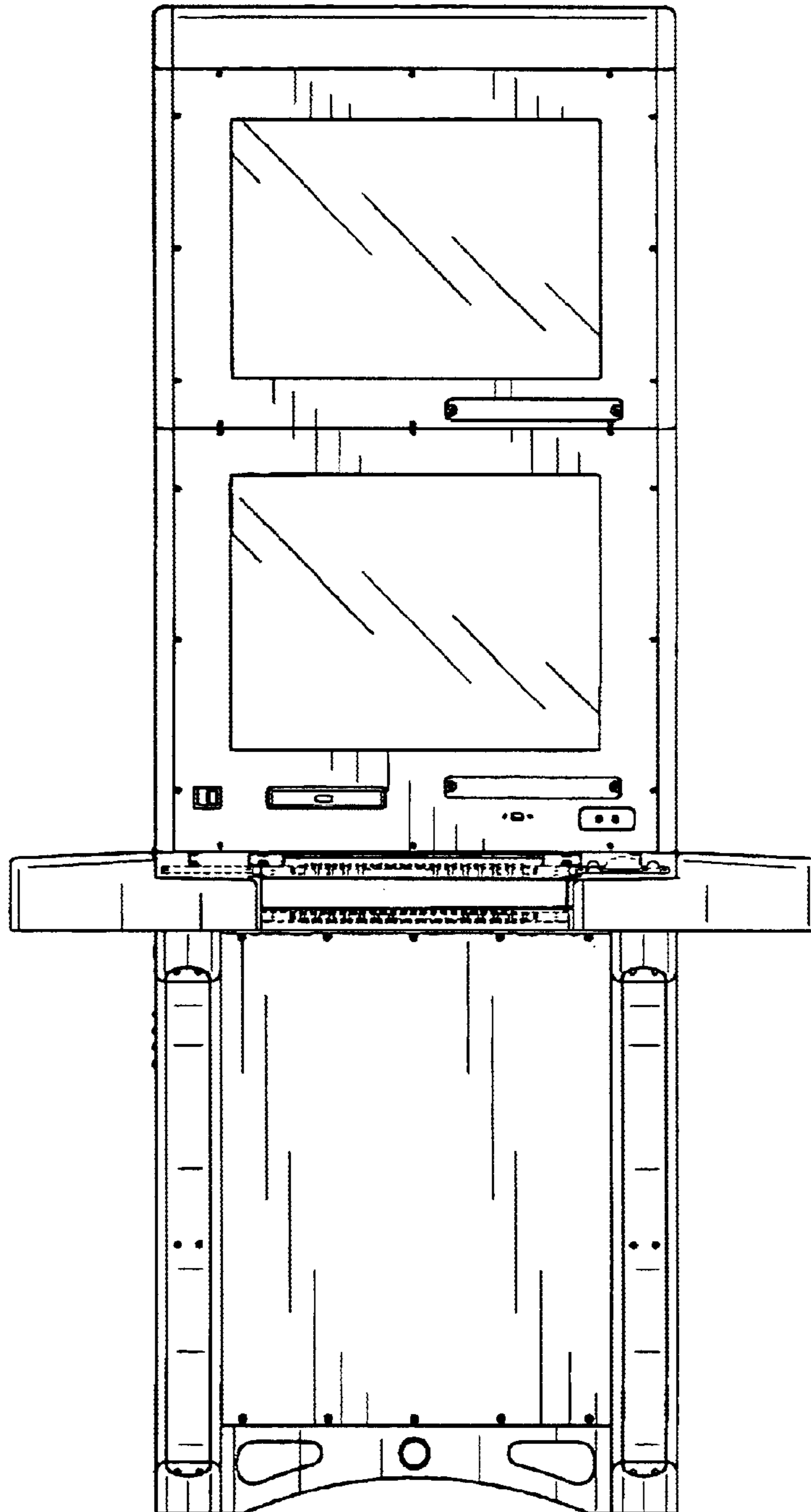


FIG. 9

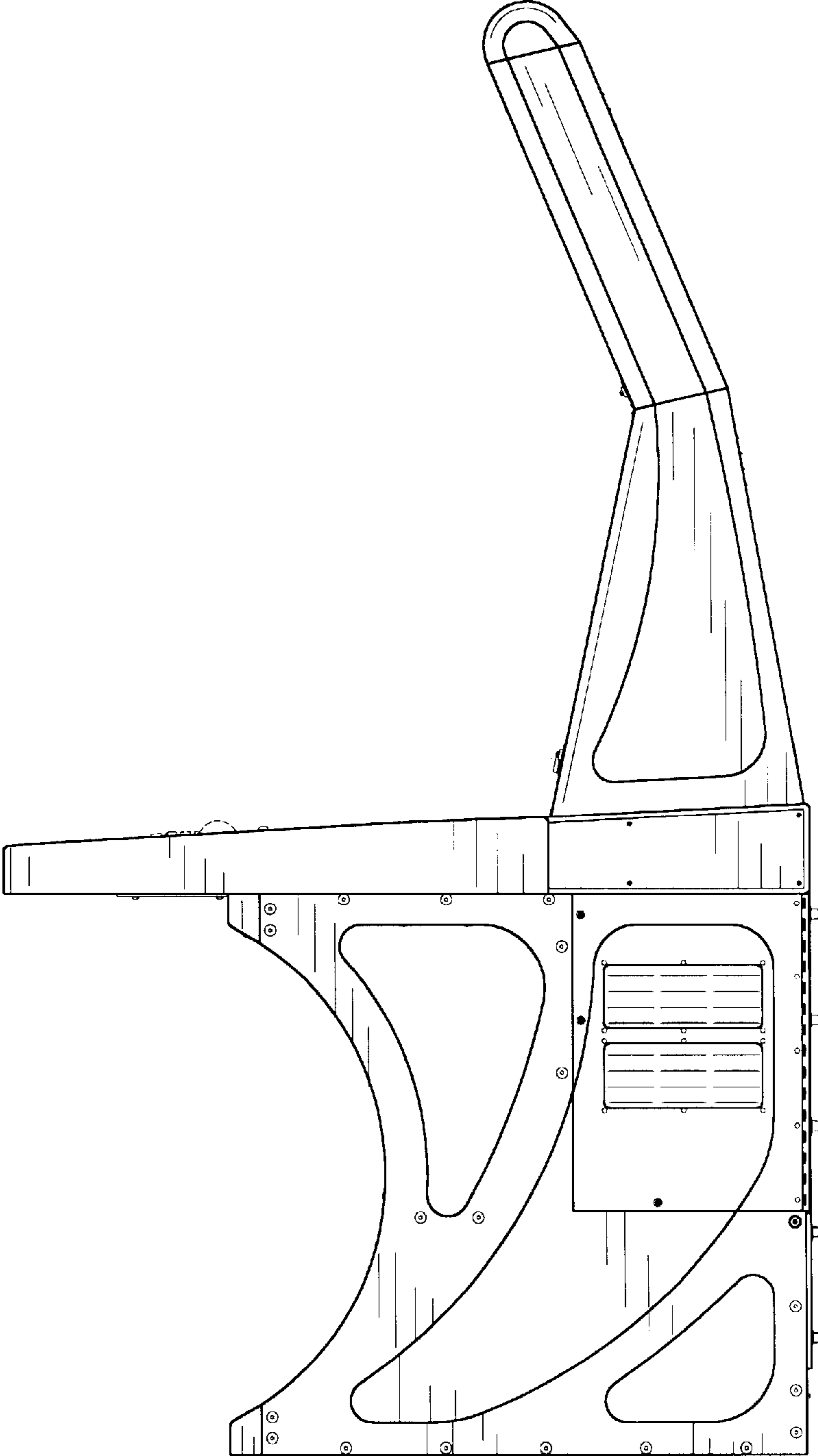


FIG. 10

