

US00D492672S1

(12) **United States Design Patent**
Hung et al.

(10) **Patent No.:** **US D492,672 S**
(45) **Date of Patent:** **** Jul. 6, 2004**

(54) **ANTENNA**

(75) Inventors: **Zhen-Da Hung**, Tu-Chen (TW);
Lung-Sheng Tai, Tu-Chen (TW);
Yun-Lung Ke, Tu-chen (TW)

(73) Assignee: **Hon Hai Precision Ind. Co., Ltd.**,
Taipei Hsien (TW)

(**) Term: **14 Years**

(21) Appl. No.: **29/191,570**

(22) Filed: **Oct. 8, 2003**

(51) **LOC (7) Cl.** **14-03**

(52) **U.S. Cl.** **D14/230**

(58) **Field of Search** D14/230, 233,
D14/236, 299; 343/700 MS, 767, 768, 770,
746

(56) **References Cited**

U.S. PATENT DOCUMENTS

6,429,818 B1 * 8/2002 Johnson et al. 343/700 MS
6,483,463 B2 * 11/2002 Kadambi et al. 343/700 MS

6,552,686 B2 * 4/2003 Ollikainen et al. .. 343/700 MS
6,577,278 B1 * 6/2003 Hood et al. 343/700 MS
6,614,400 B2 * 9/2003 Egorov 343/700 MS
6,664,931 B1 * 12/2003 Nguyen et al. 343/767

* cited by examiner

Primary Examiner—Louis S. Zarfaz

Assistant Examiner—Deanne Levy

(74) *Attorney, Agent, or Firm*—Wei Te Chung

(57) **CLAIM**

The ornamental design for an antenna, as shown.

DESCRIPTION

FIG. 1 is a front, top and right side perspective view of an antenna;

FIG. 2 is a front elevational view thereof;

FIG. 3 is a rear elevational view thereof;

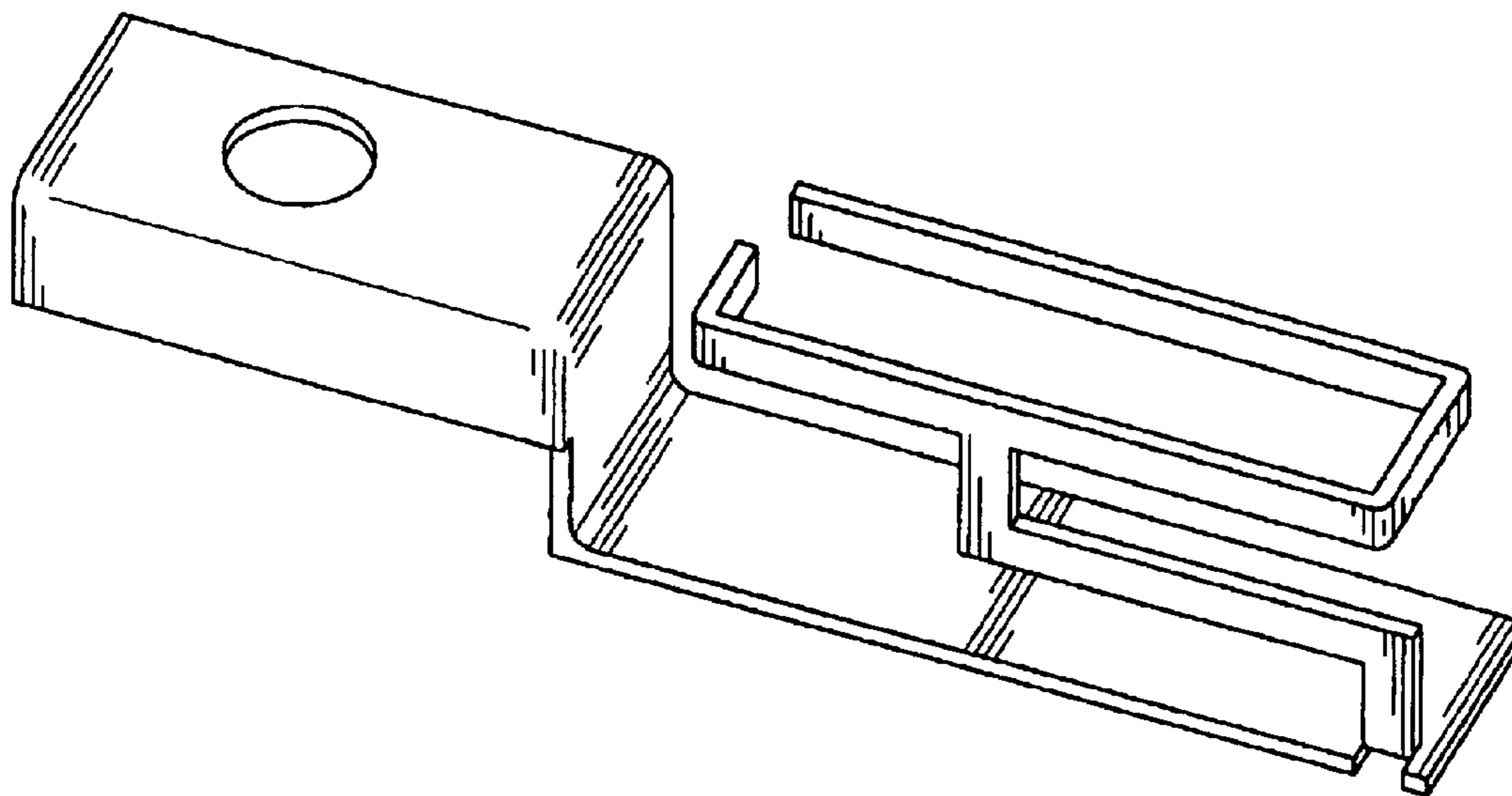
FIG. 4 is a left side elevational view thereof;

FIG. 5 is a right side elevational view thereof;

FIG. 6 is a top plan view thereof; and,

FIG. 7 is a bottom plan view thereof.

1 Claim, 6 Drawing Sheets



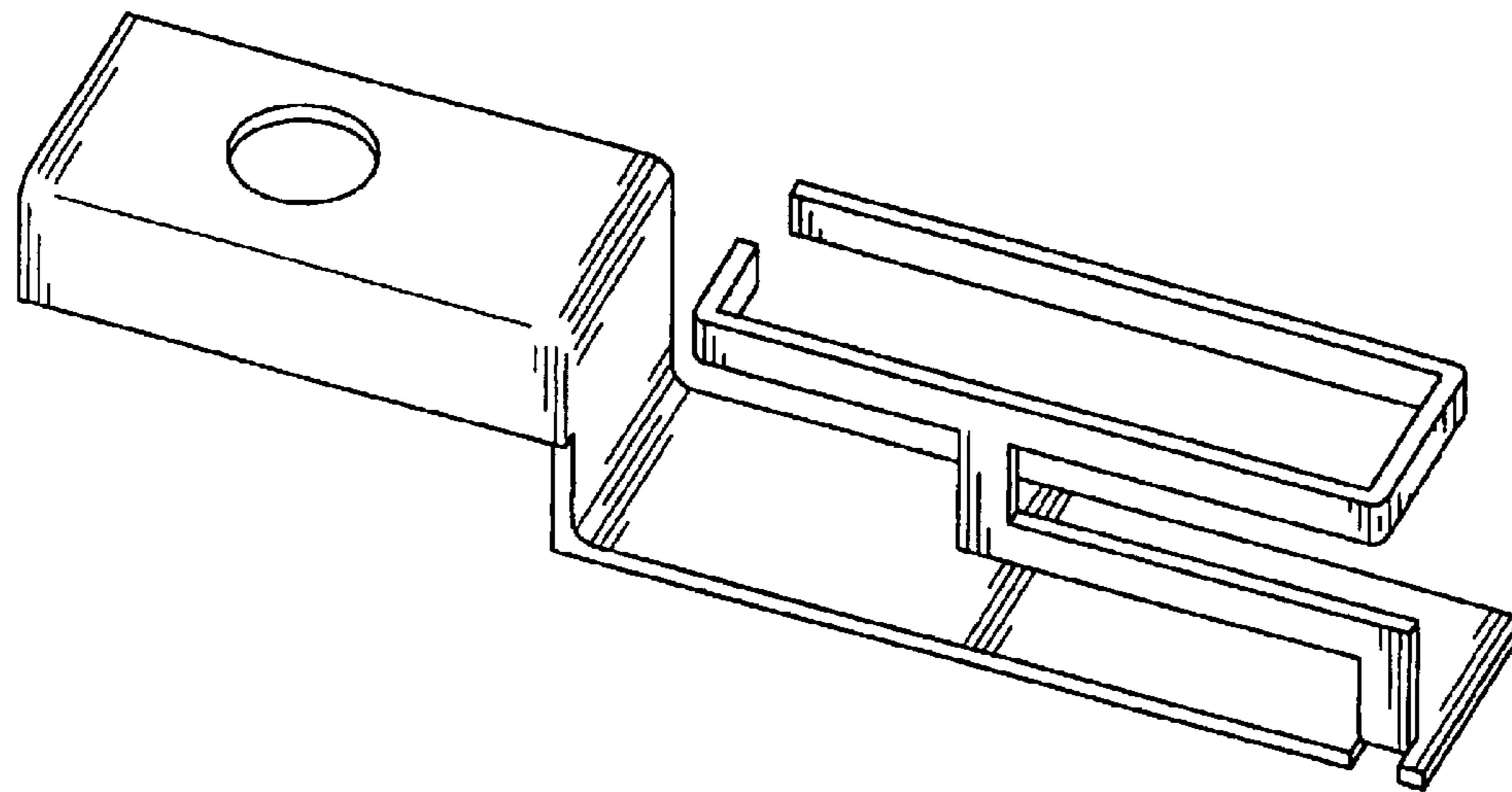


FIG. 1

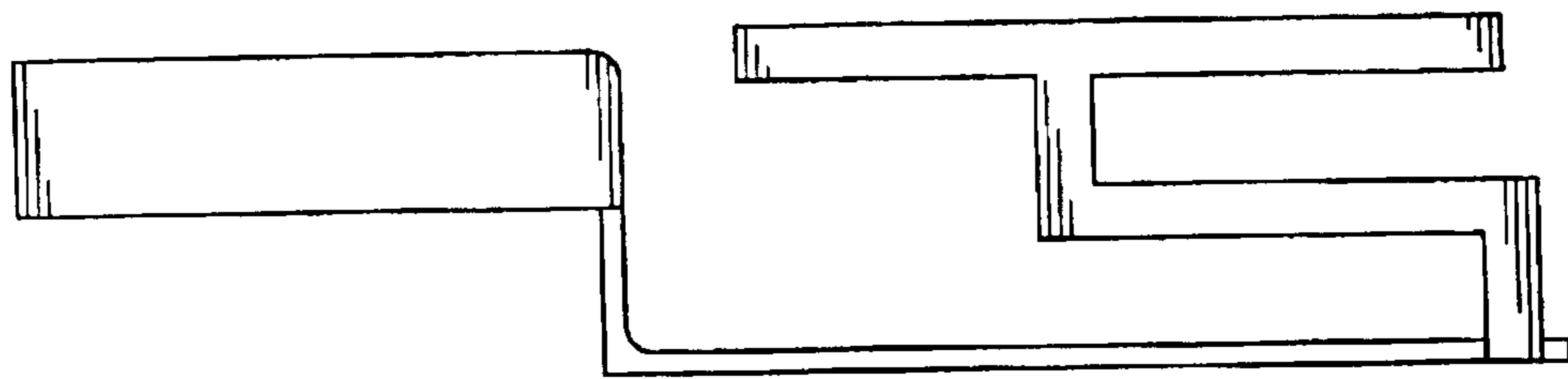


FIG. 2

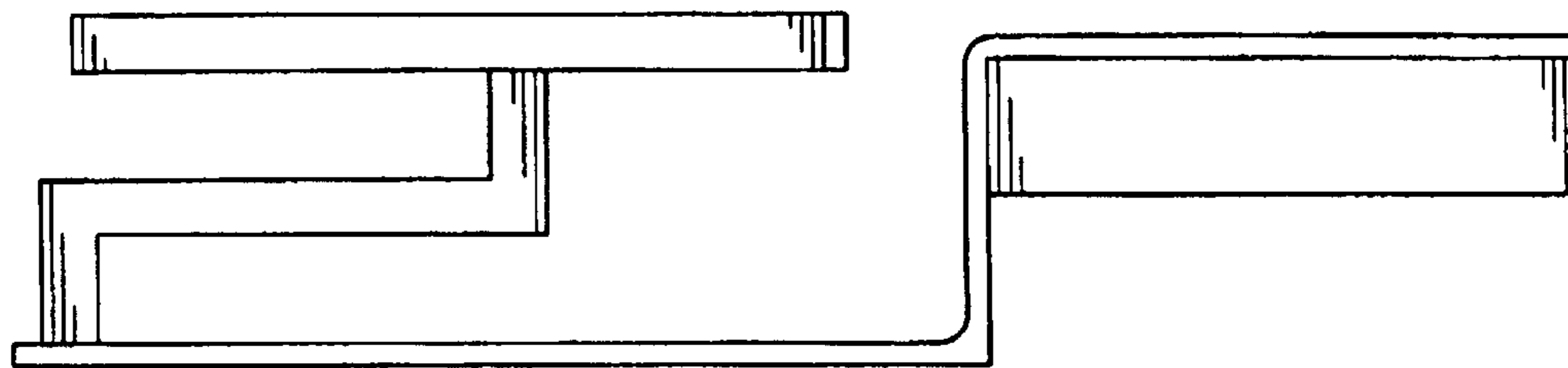


FIG. 3

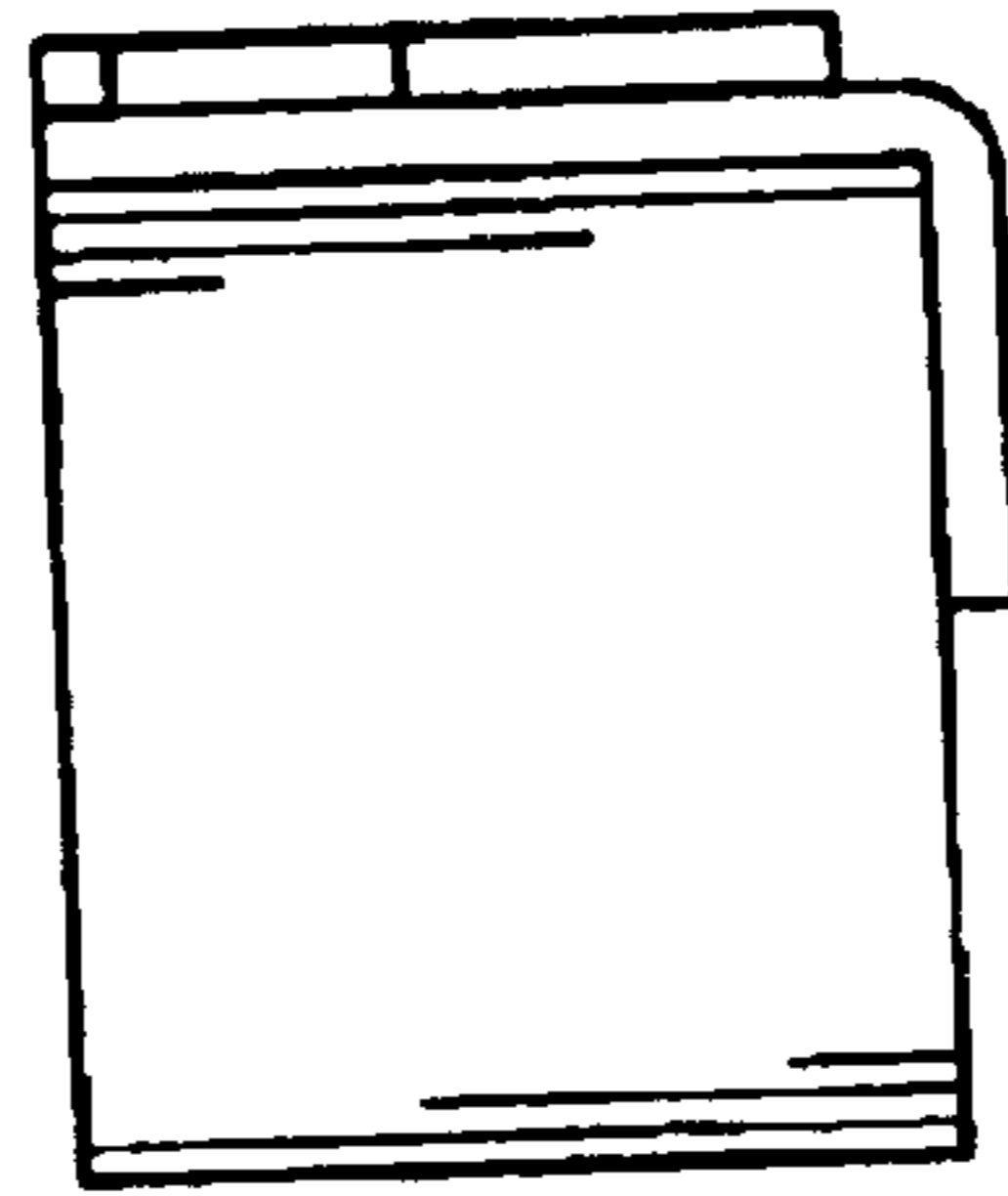


FIG. 4

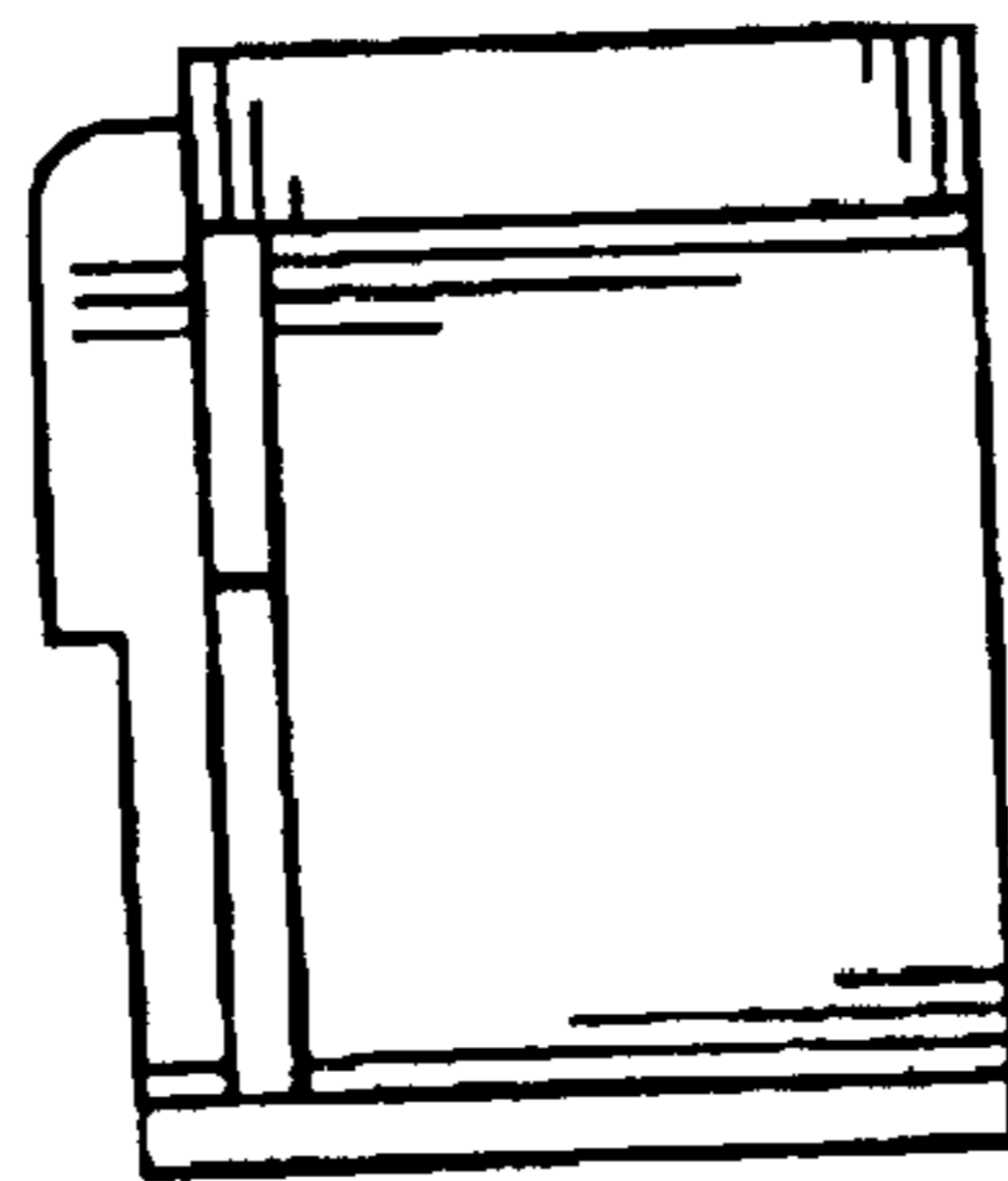


FIG. 5

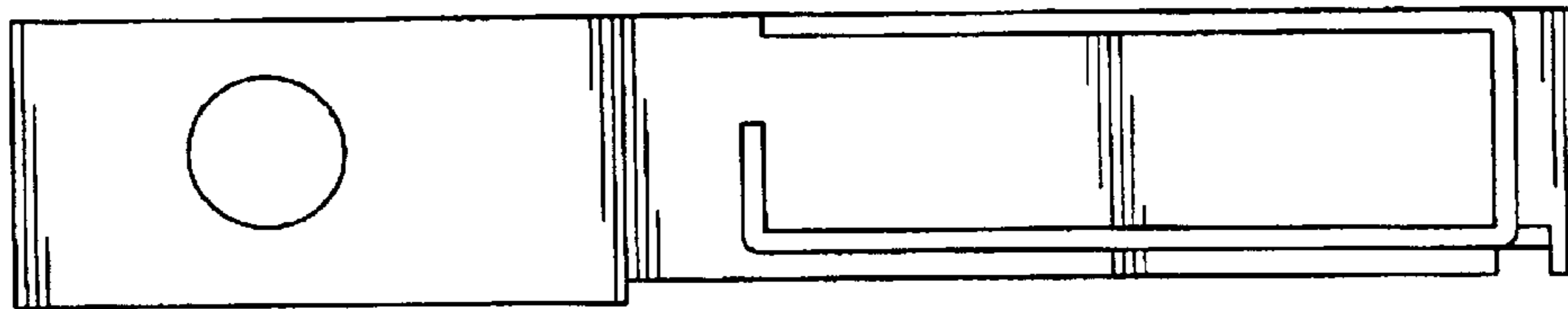


FIG. 6

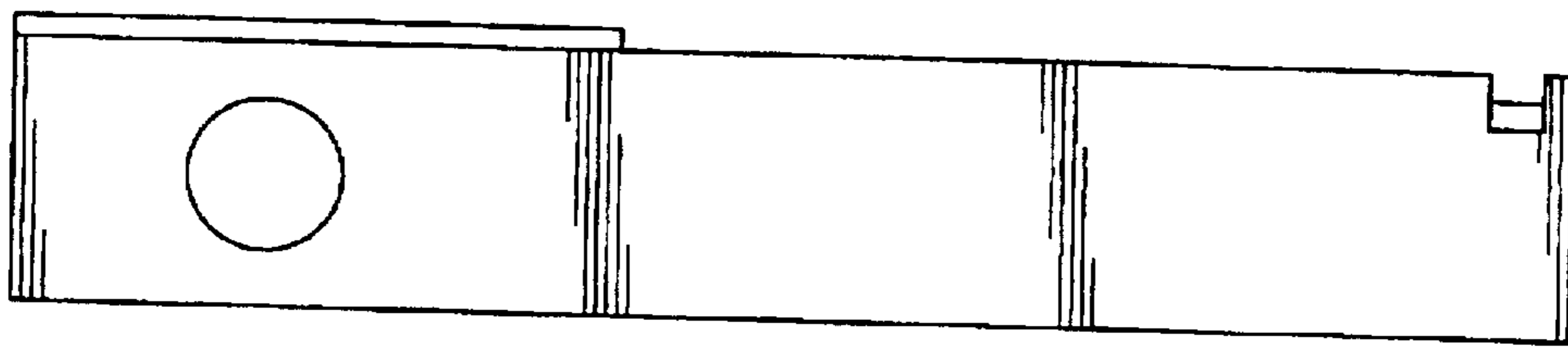


FIG. 7