



US00D492670S1

(12) **United States Design Patent**
Hung et al.

(10) **Patent No.:** **US D492,670 S**
(45) **Date of Patent:** **** Jul. 6, 2004**

(54) **PLANAR ANTENNA**

6,614,399 B2 * 9/2003 Trumbull et al. 343/700 MS
6,664,930 B2 * 12/2003 Wen et al. 343/702

(75) Inventors: **Zhen-Da Hung**, Tu-chen (TW);
Lung-Sheng Tai, Tu-chen (TW);
Hsien-Chu Lin, Tu-chen (TW)

* cited by examiner

(73) Assignee: **Hon Hai Precision Ind. Co., Ltd.**,
Taipei Hsien (TW)

Primary Examiner—Louis S. Zarfes
Assistant Examiner—Deanne Levy
(74) *Attorney, Agent, or Firm*—Wei Te Chung

(**) Term: **14 Years**

(57) **CLAIM**

(21) Appl. No.: **29/185,438**

The ornamental design for a planar antenna, as shown.

(22) Filed: **Jun. 27, 2003**

DESCRIPTION

(30) **Foreign Application Priority Data**

Jun. 13, 2003 (TW) 92303683

(51) **LOC (7) Cl.** **14-03**

(52) **U.S. Cl.** **D14/230**

(58) **Field of Search** D14/230, 233,
D14/236, 299; 343/700 MS, 767, 768, 770,
746

FIG. 1 is a front, top and left side perspective view of a planar antenna;

FIG. 2 is a front elevational view thereof;

FIG. 3 is a rear elevational view thereof;

FIG. 4 is a left side elevational view thereof;

FIG. 5 is a right side elevational view thereof;

FIG. 6 is a top plan view thereof; and,

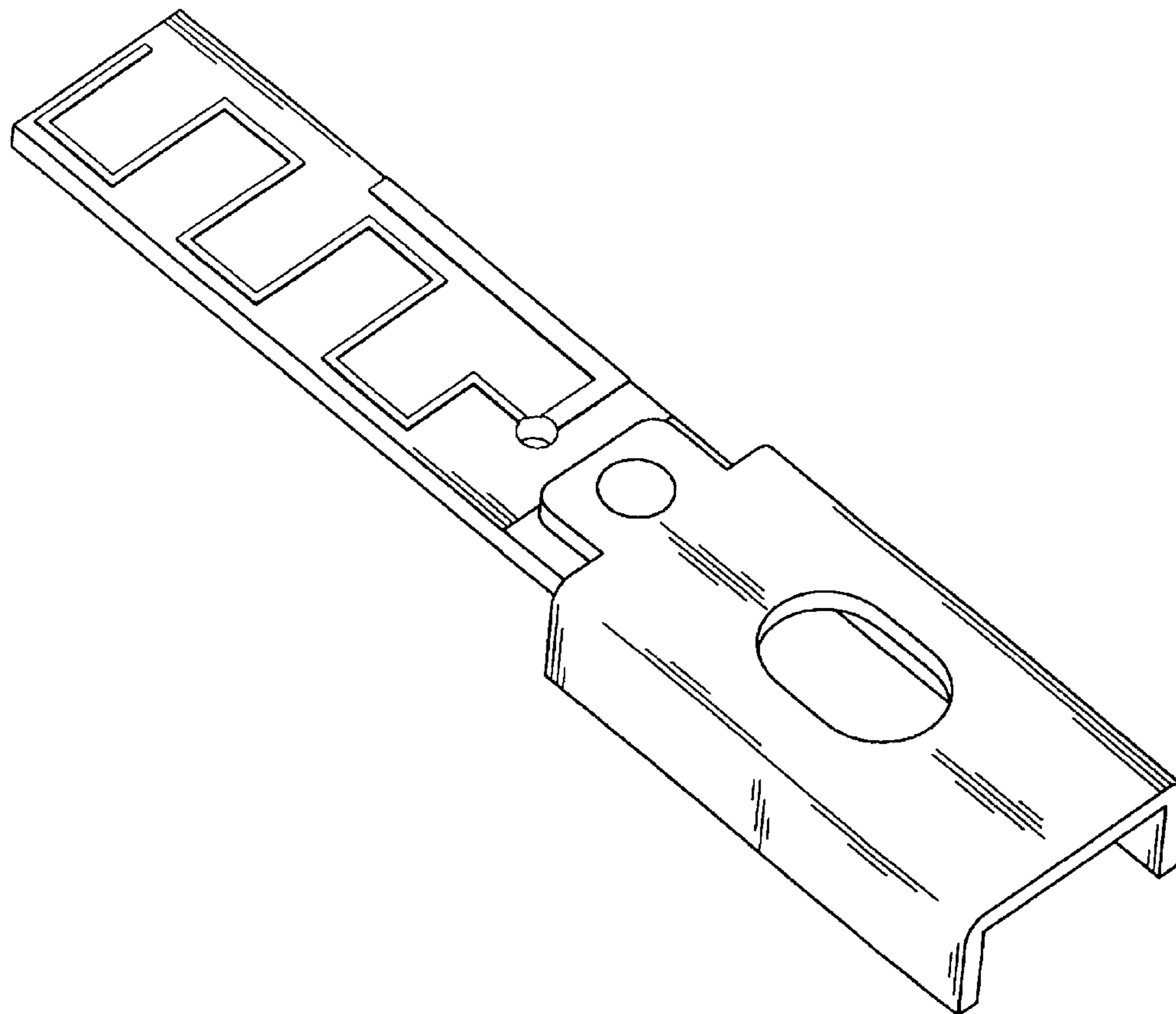
FIG. 7 is a bottom plan view thereof.

(56) **References Cited**

U.S. PATENT DOCUMENTS

6,445,358 B2 * 9/2002 Takahashi et al. ... 343/700 MS

1 Claim, 6 Drawing Sheets



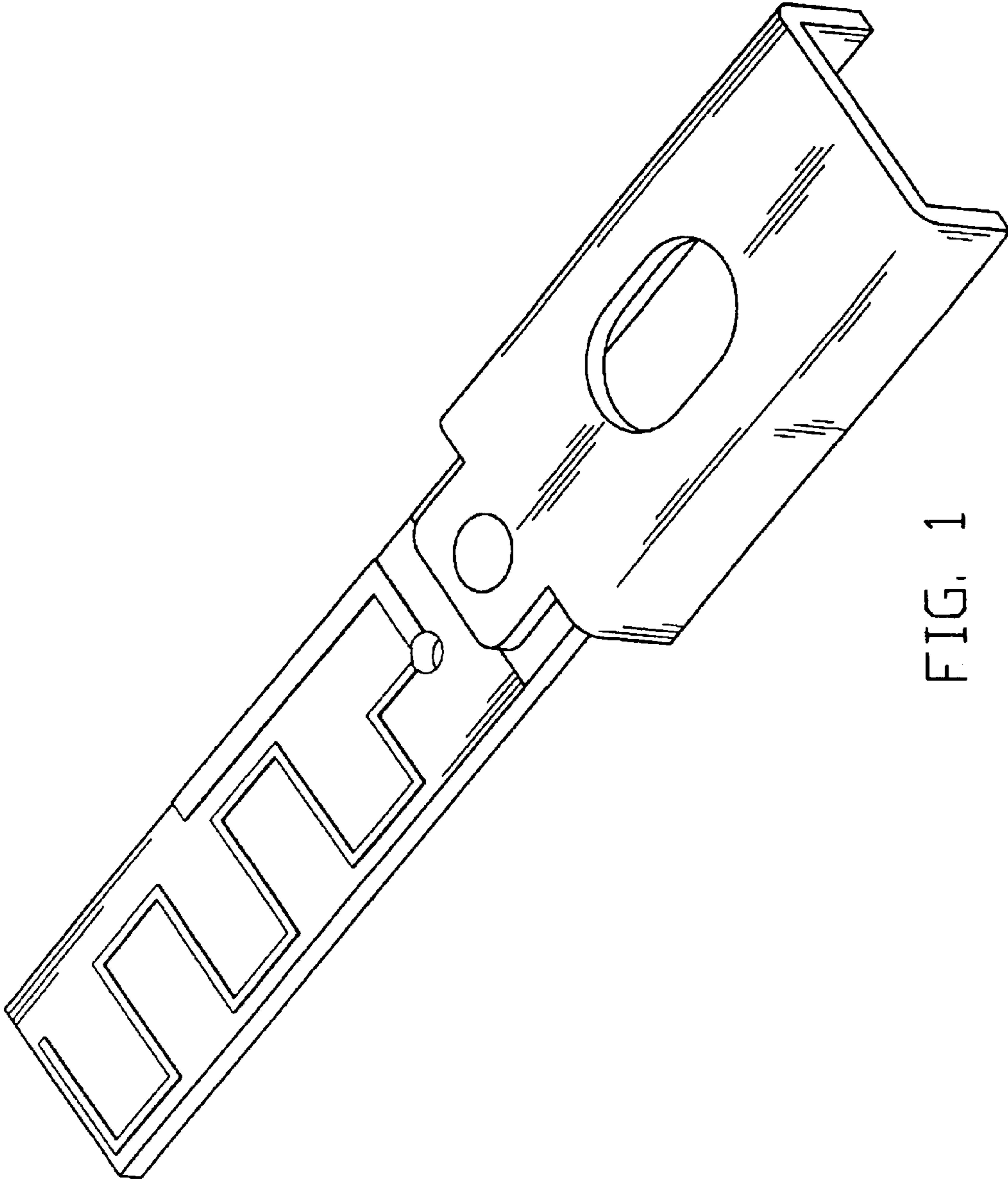


FIG. 1

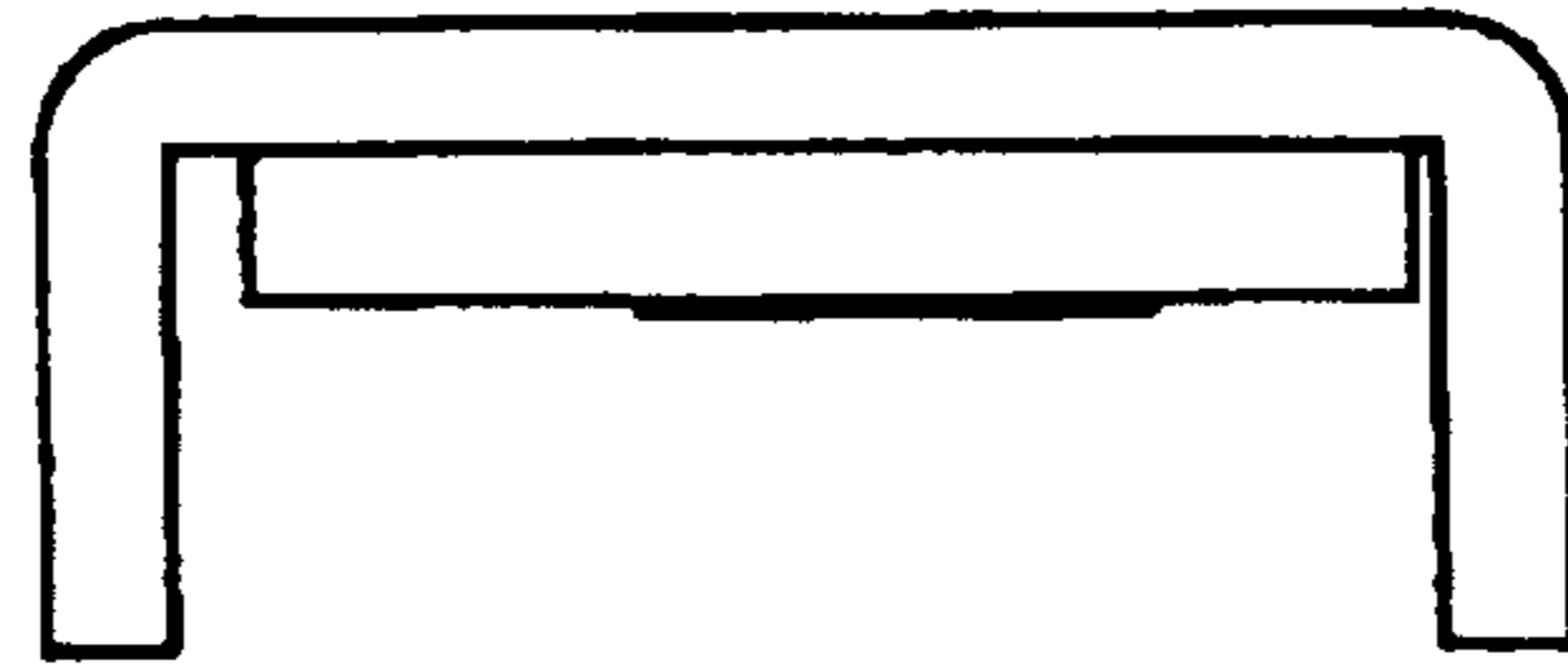


FIG. 2

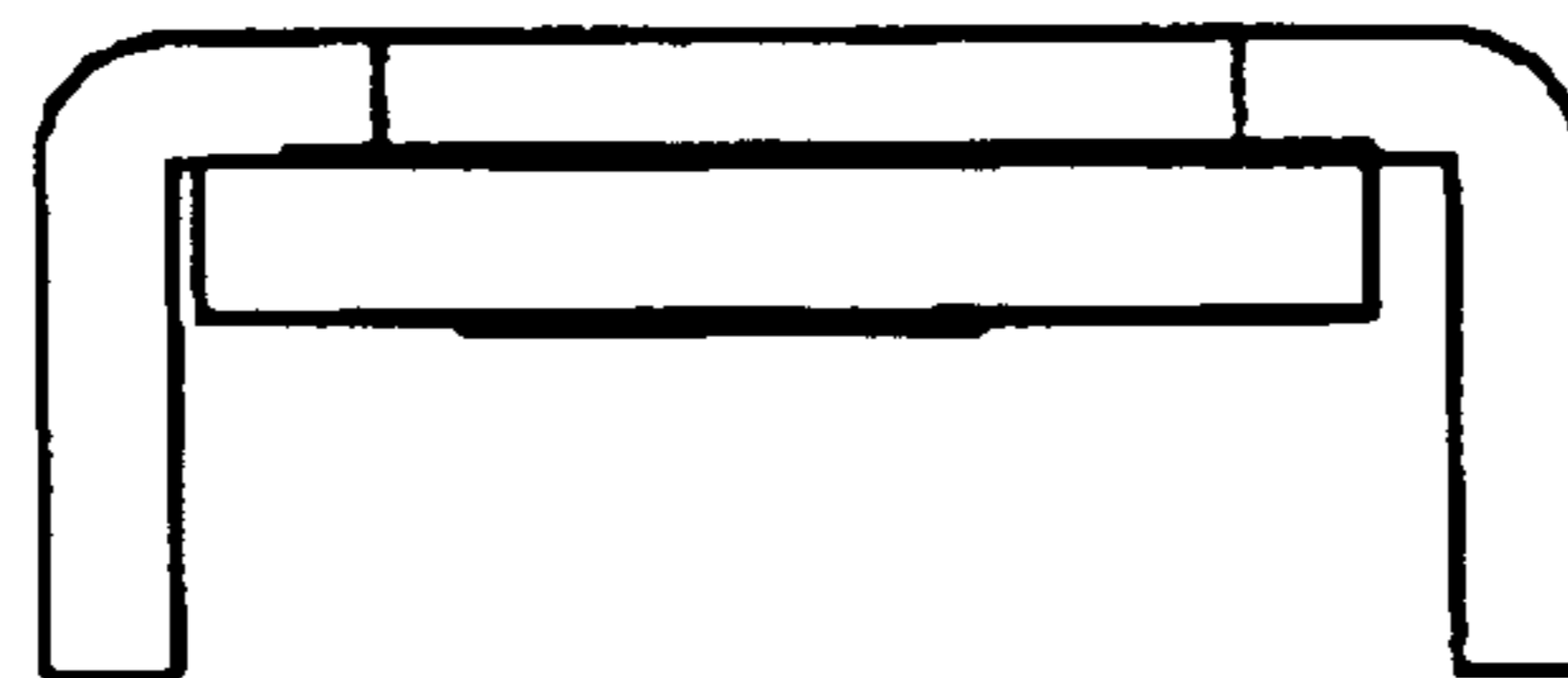


FIG. 3

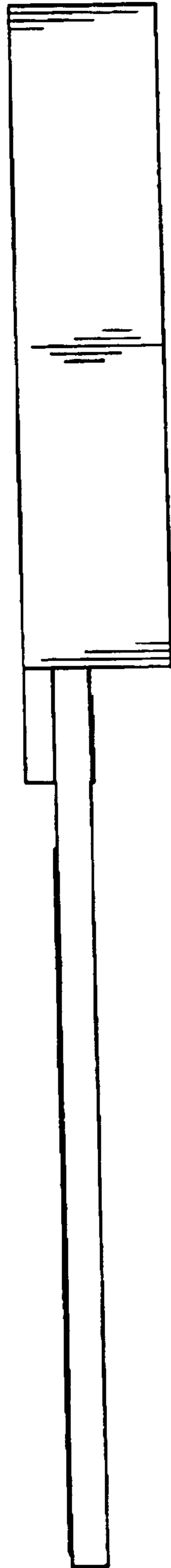


FIG. 4

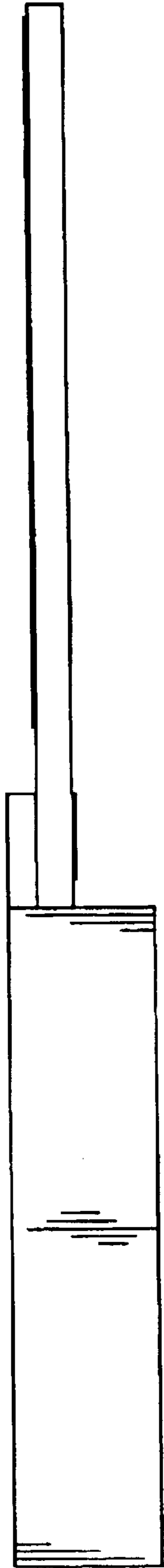


FIG. 5

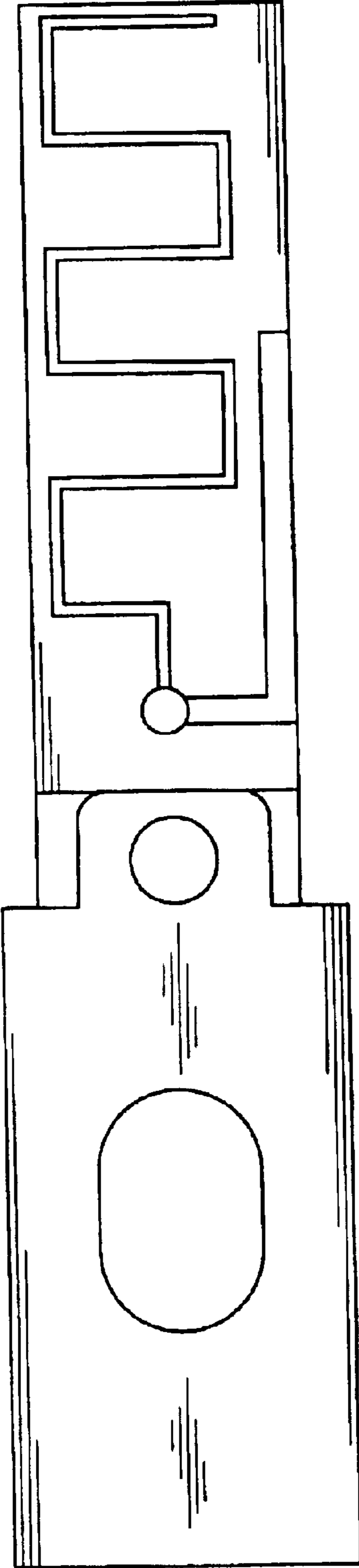


FIG. 6

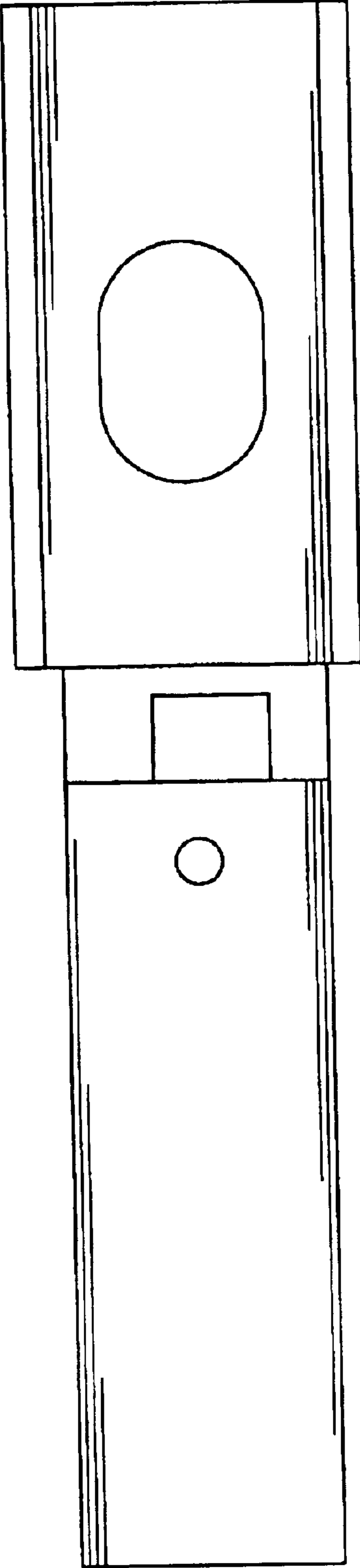


FIG. 7