



US00D492664S1

(12) **United States Design Patent**
Christianson

(10) **Patent No.:** **US D492,664 S**
(45) **Date of Patent:** **** Jul. 6, 2004**

(54) **REMOTE CONTROL**

(75) Inventor: **Tristan M. Christianson**, San Francisco, CA (US)

(73) Assignee: **Sharper Image Corporation**, San Francisco, CA (US)

(**) Term: **14 Years**

(21) Appl. No.: **29/191,242**

(22) Filed: **Oct. 3, 2003**

(51) **LOC (7) Cl.** **14-03**

(52) **U.S. Cl.** **D14/218**

(58) **Field of Search** D14/217, 218,
D14/124, 174, 299; D13/168, 171; D21/566;
455/352, 128, 347, 90.3; D10/104-106,
49; D24/13, 200

(56) **References Cited**

U.S. PATENT DOCUMENTS

D407,090 S * 3/1999 Althans D14/218
D453,753 S * 2/2002 Ahn D14/218
D477,590 S * 7/2003 Ahn D14/218

OTHER PUBLICATIONS

Sound and Vision, Feb. 2001 □□p. 68 tear-drop shaped remote.*

* cited by examiner

Primary Examiner—Louis S. Zarfaz

Assistant Examiner—Deanne Levy

(74) *Attorney, Agent, or Firm*—Fliesler Meyer LLP

(57) **CLAIM**

The ornamental design for a remote control, as shown and described.

DESCRIPTION

FIG. 1 is a front perspective view of a remote control, showing my new design;

FIG. 2 is a rear perspective view thereof;

FIG. 3 is a front view thereof;

FIG. 4 is a rear view thereof;

FIG. 5 is a right side view thereof;

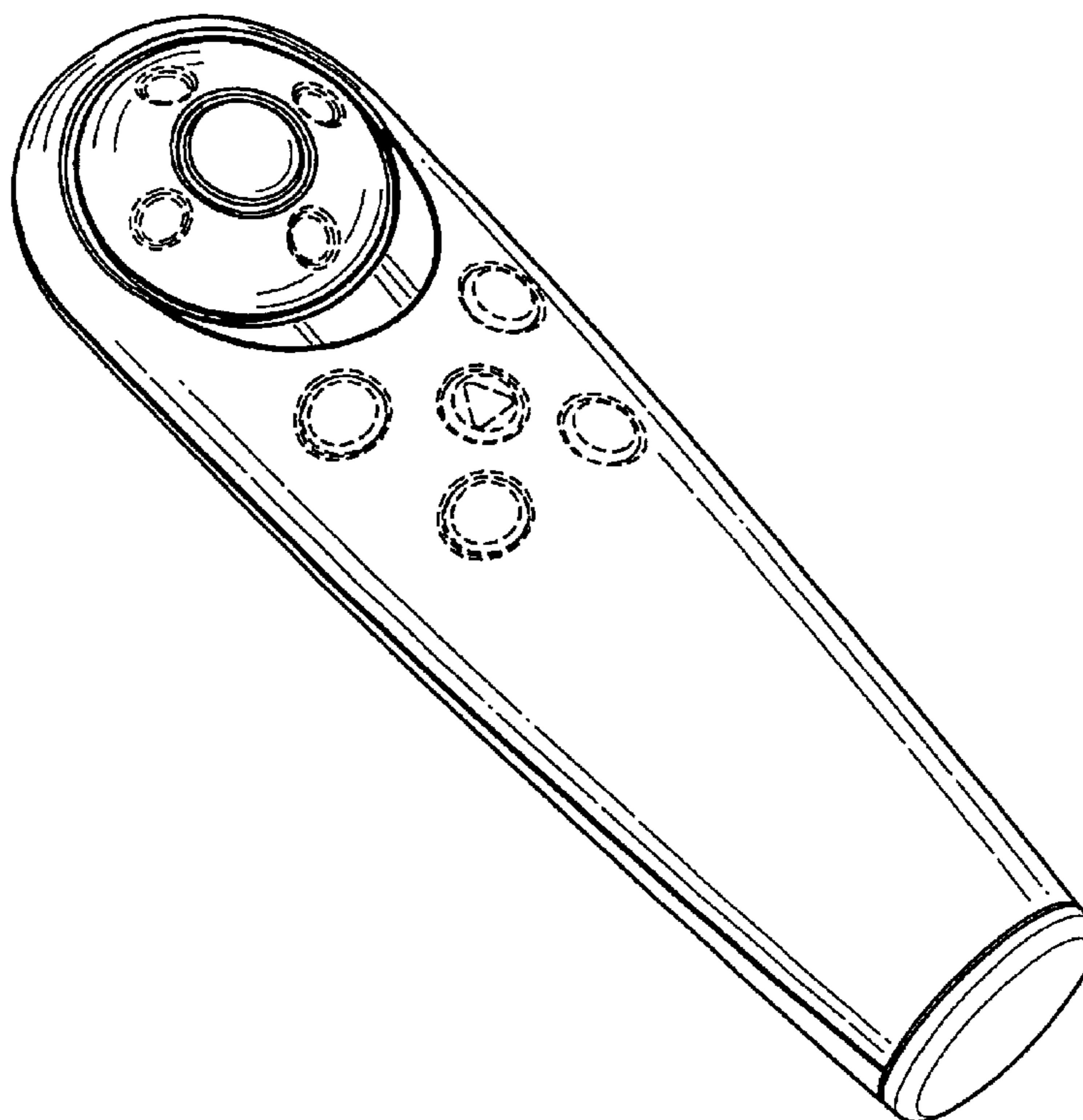
A left side view is a mirror image of the right side view shown in FIG. 5;

FIG. 6 is a top view thereof; and,

FIG. 7 is a bottom view thereof.

The buttons in FIGS. 1, 3, 5 and 6 in broken lines are for illustrative purposes only and form no part of the claimed design.

1 Claim, 3 Drawing Sheets



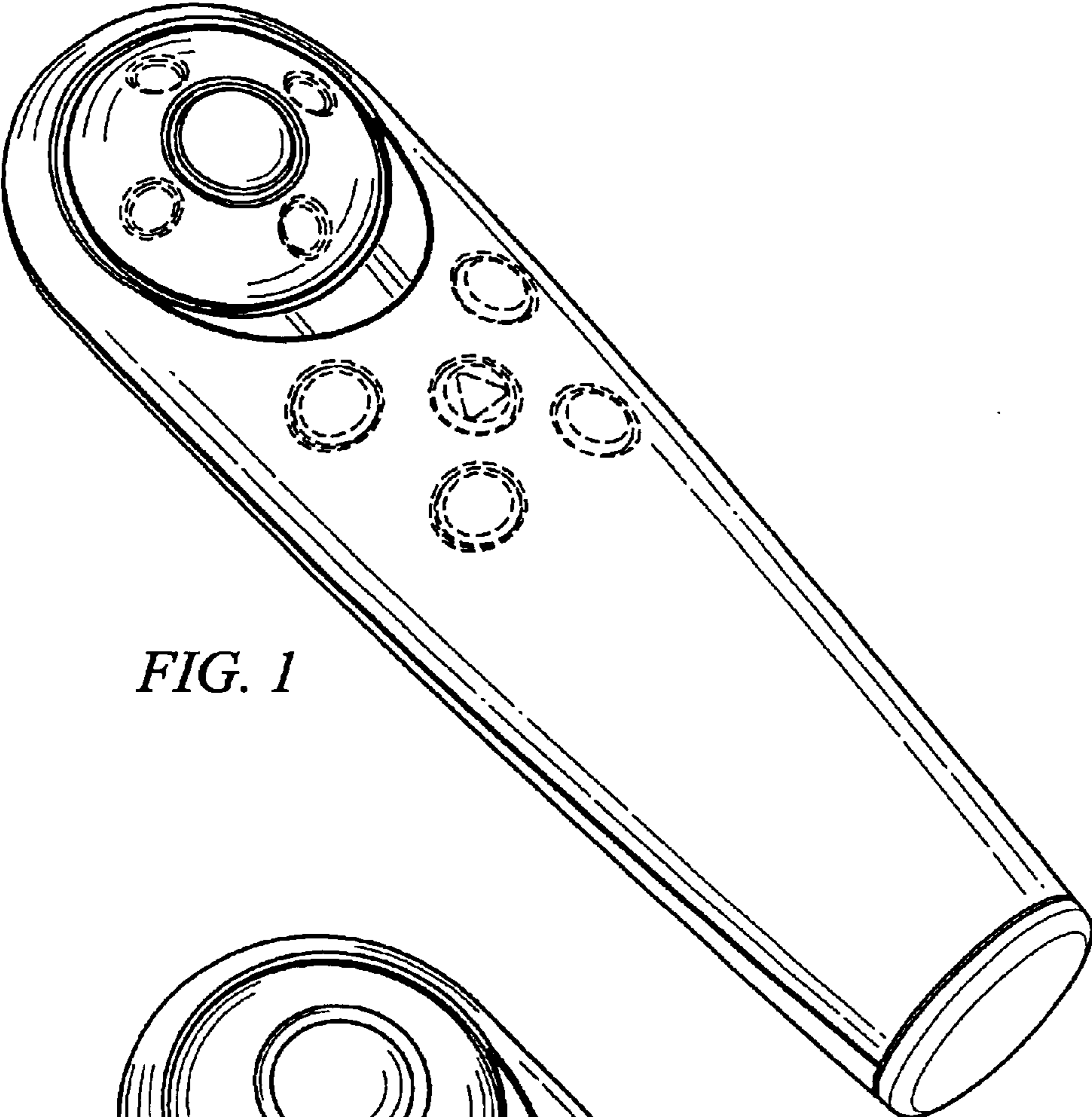


FIG. 1

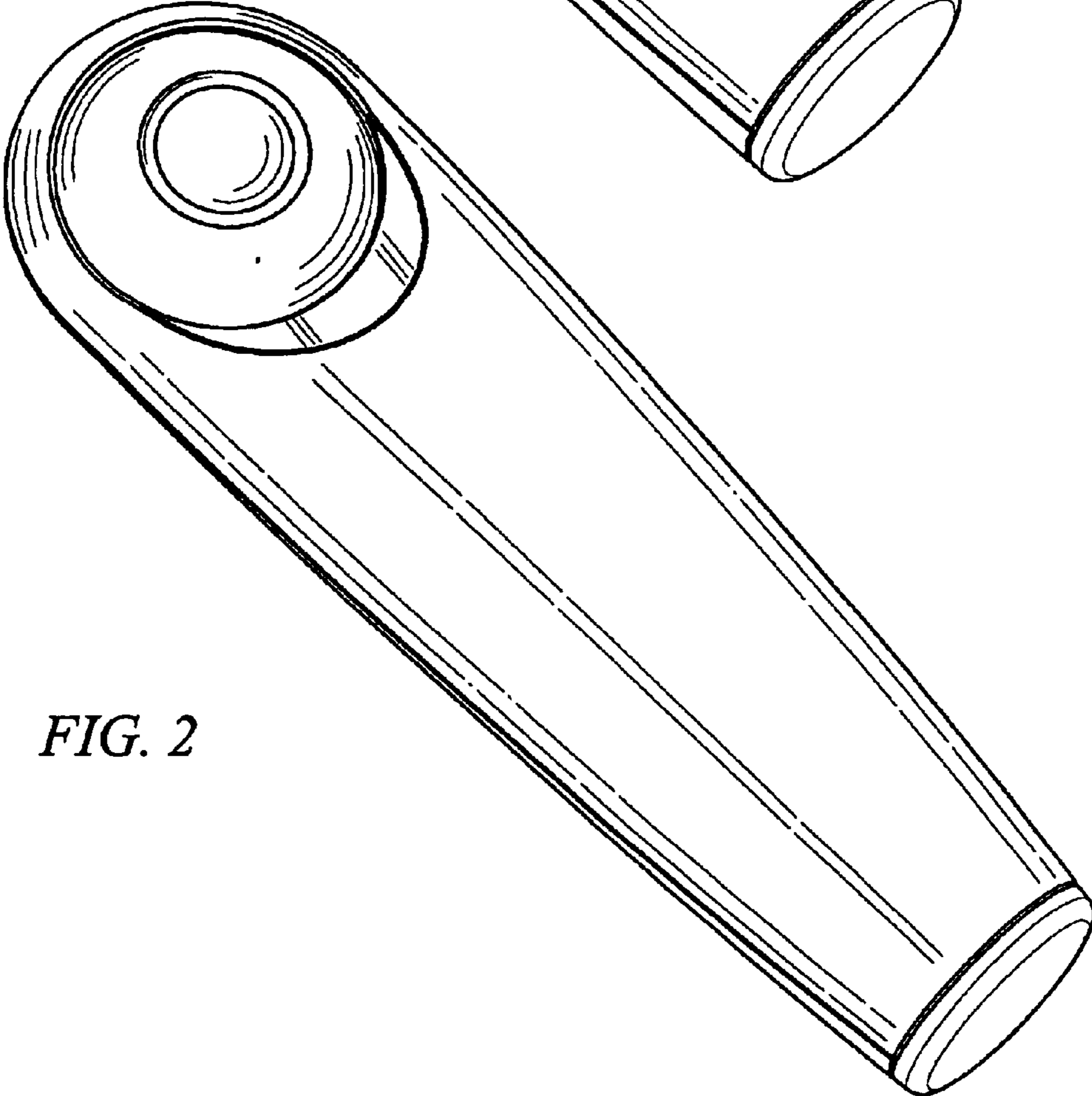


FIG. 2

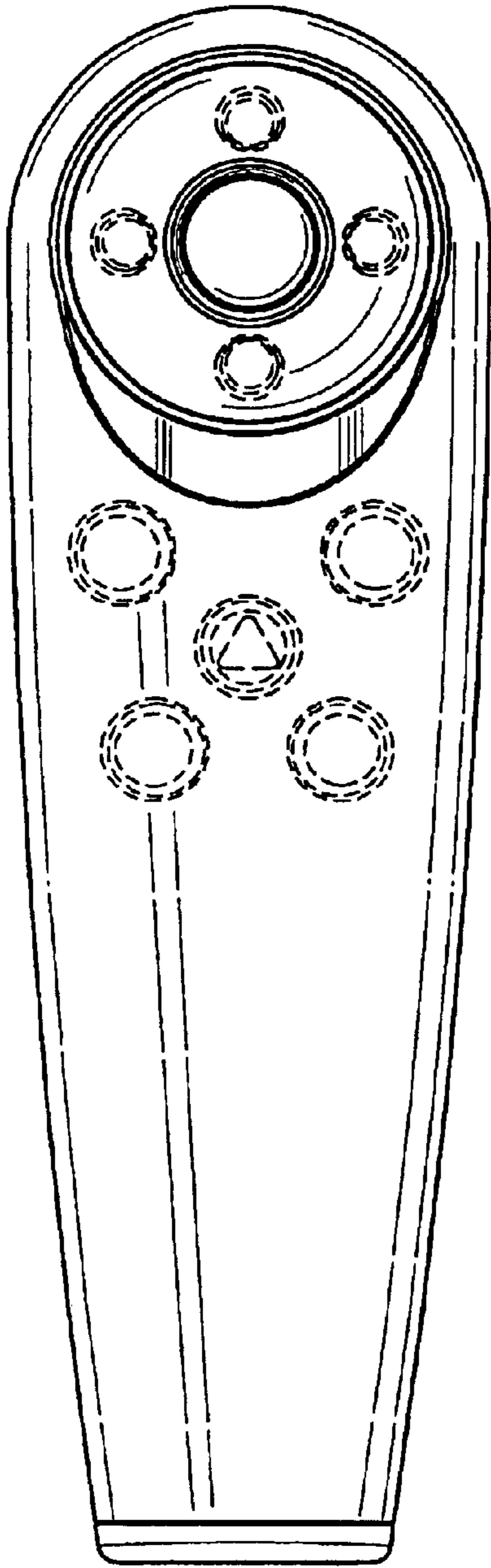


FIG. 3

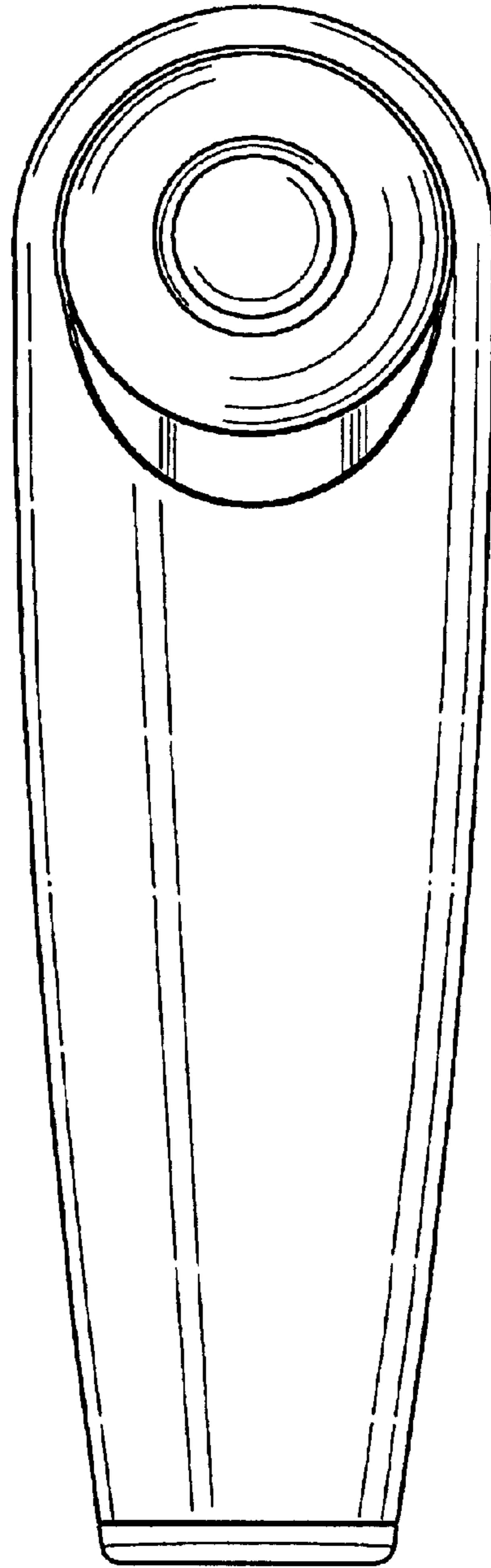


FIG. 4

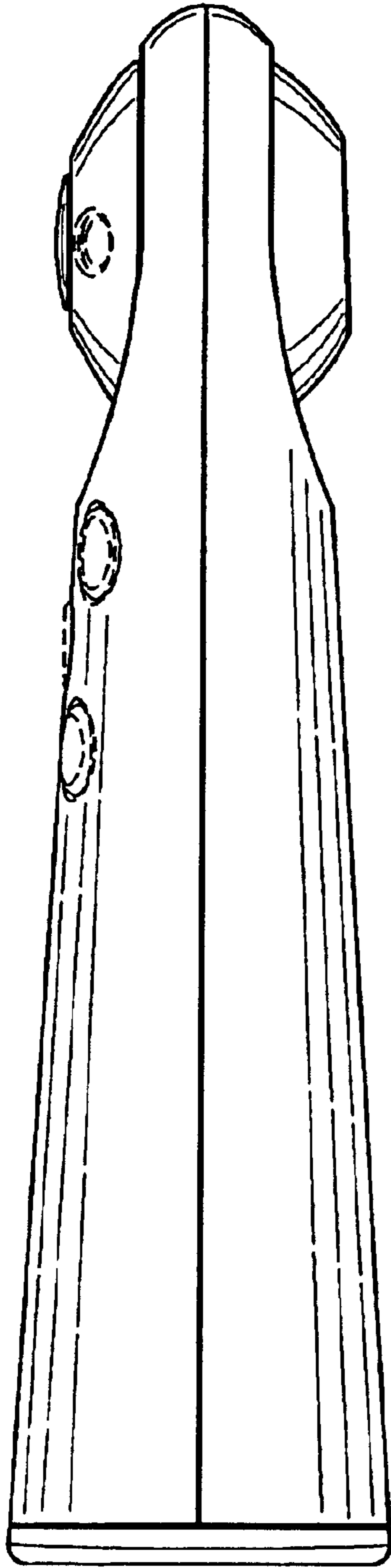


FIG. 5

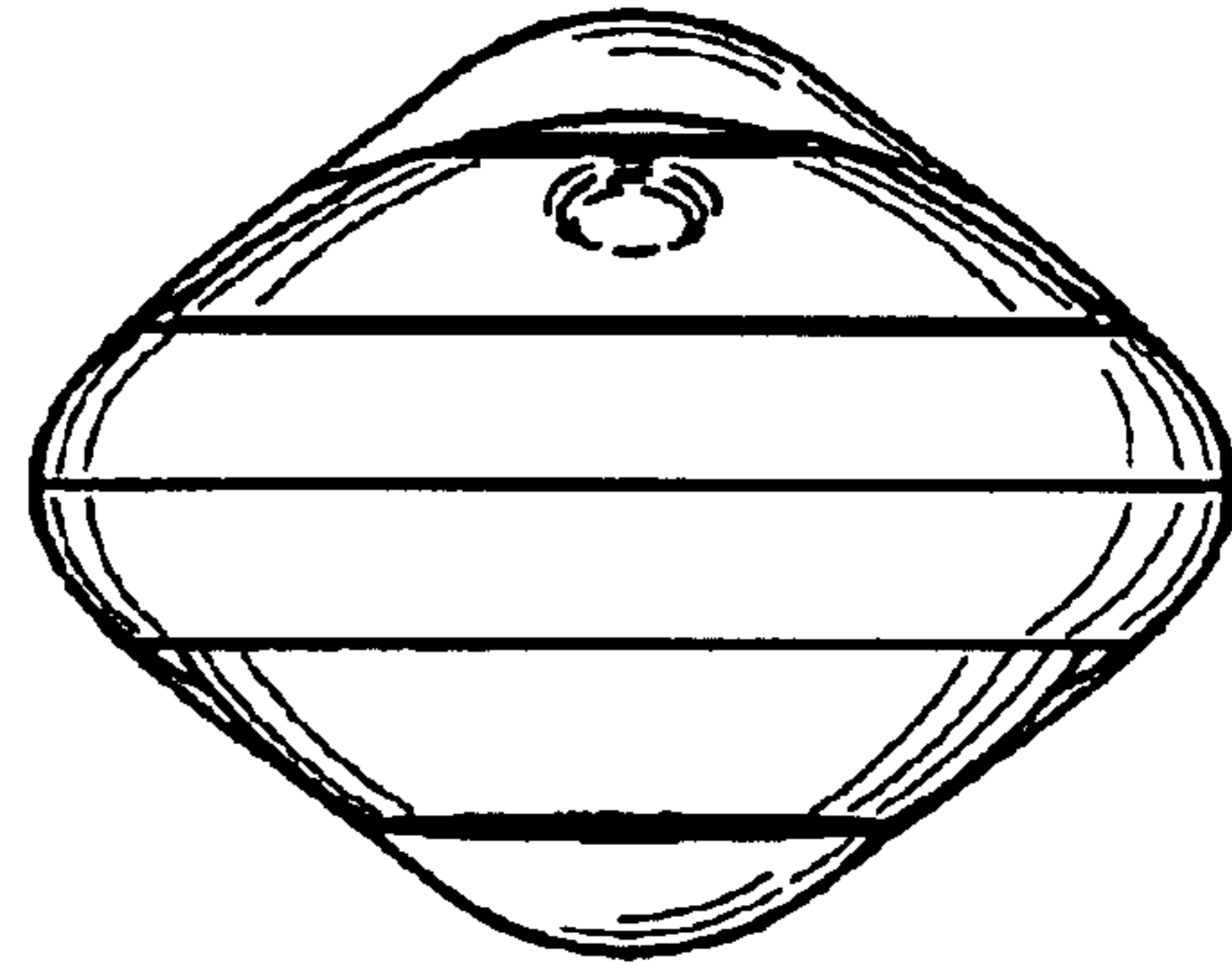


FIG. 6

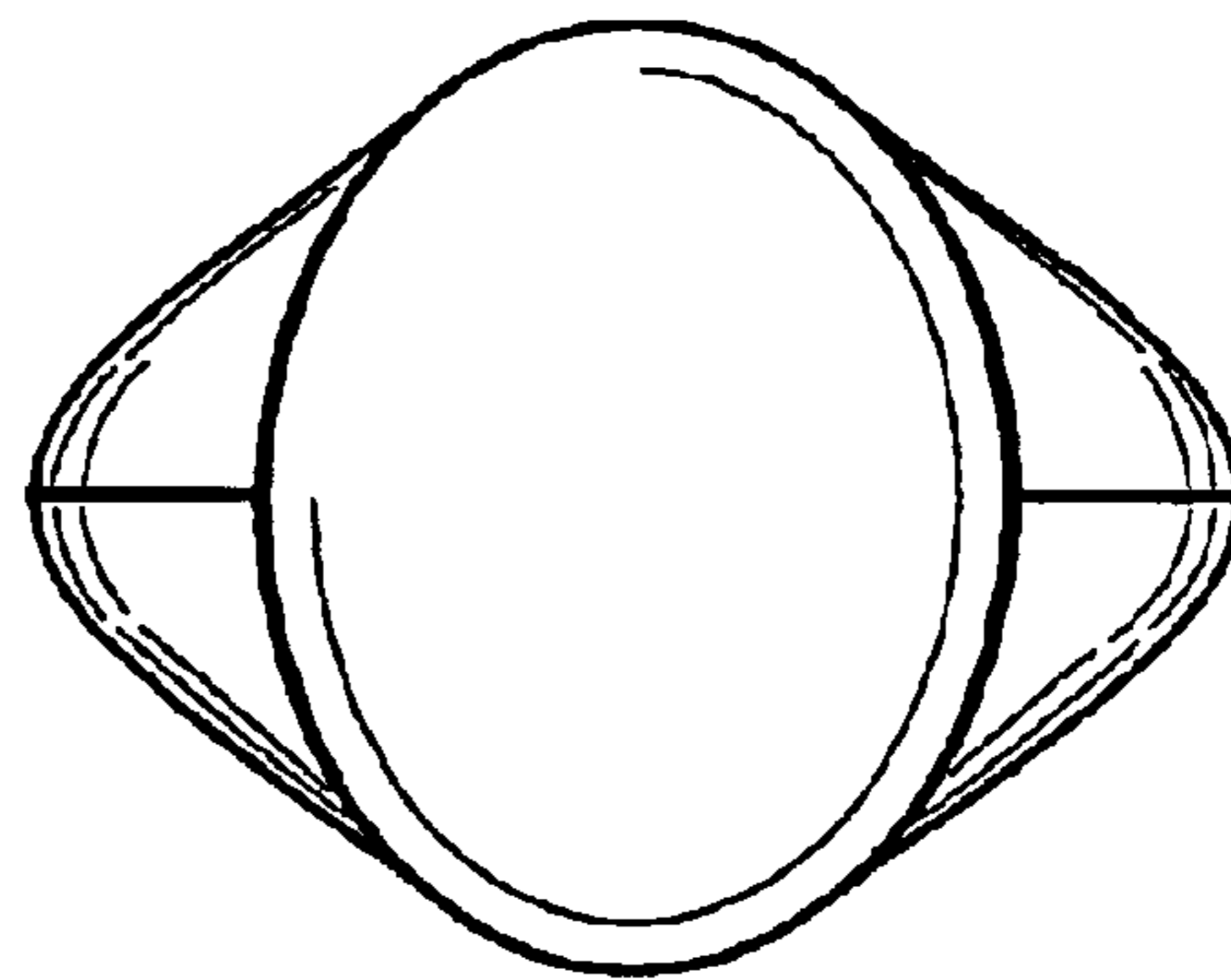


FIG. 7