

US00D492661S1

(12) **United States Design Patent** (10) **Patent No.:** **US D492,661 S**
Masamitsu et al. (45) **Date of Patent:** **** Jul. 6, 2004**

(54) **DISC PLAYER/RECORDER**

(75) Inventors: **Satoshi Masamitsu**, Tokyo (JP);
Gisuke Ota, Chiba (JP)

(73) Assignee: **Sony Corporation**, Tokyo (JP)

(**) Term: **14 Years**

(21) Appl. No.: **29/187,146**

(22) Filed: **Jul. 29, 2003**

(51) **LOC (7) Cl.** **14-01**

(52) **U.S. Cl.** **D14/156**

(58) **Field of Search** D14/135-136,
D14/156-157, 160-165, 167-168, 188,
193-198, 351; 369/75.1, 75.2, 77.1, 77.2;
455/344, 347-351

(56) **References Cited**

U.S. PATENT DOCUMENTS

D417,217 S	*	11/1999	Heath	D14/215
D431,243 S		9/2000	Oba		
D435,539 S	*	12/2000	Tsuge	D14/214
D473,201 S	*	4/2003	Ng et al.	D14/136
D473,534 S		4/2003	Ishibashi		

OTHER PUBLICATIONS

News Release “DIU2-B160G” http://buffalo.melconinc.co.jp/products/new/2002/073_1.htm, 1 sheet, Melcon Inc. (Feb. 2003).

News Release “MO-C13001U” http://buffalo.melconinc.co.jp/products/new/2002/017_3.htm, 1 sheet, Melco Inc. (Feb. 2003).

News Release “TURBO MO mini IV” <http://www.olympus.co.jp/LineUp/Mc/Mini4/mini4.htm>, 1 sheet, Olympus (Feb. 2003).

Web page “MOX-SX1.3H” http://www.iodate.co.jp/products/mo/2002/mox-sx1_3h.htm, 1 sheet, IO DATA (Mar. 2003).

Web page AH160FC[160GB IEEE 1394(FireWire/i.link)], <http://www8.yodobashi.com/enjoy/i.jsp?oid=3322729>, 1 sheet, Yodobashi Camera (Mar. 2003).

Web page “TURBO MO mini III Lavender (MO643U5L)” <http://www8.yodobashi.com/enjoy/i.jsp?oid=3468141>, 1 sheet, Yodobashi Camera (Mar. 2003).

* cited by examiner

Primary Examiner—Nanda Bondade

(74) *Attorney, Agent, or Firm*—Rader, Fishman & Grauer PLLC

(57) **CLAIM**

The ornamental design for a disc player/recorder, as shown.

DESCRIPTION

FIG. 1 is a perspective view of a disc player/recorder showing our new design;

FIG. 2 is a front elevational view thereof;

FIG. 3 is a rear elevational view thereof;

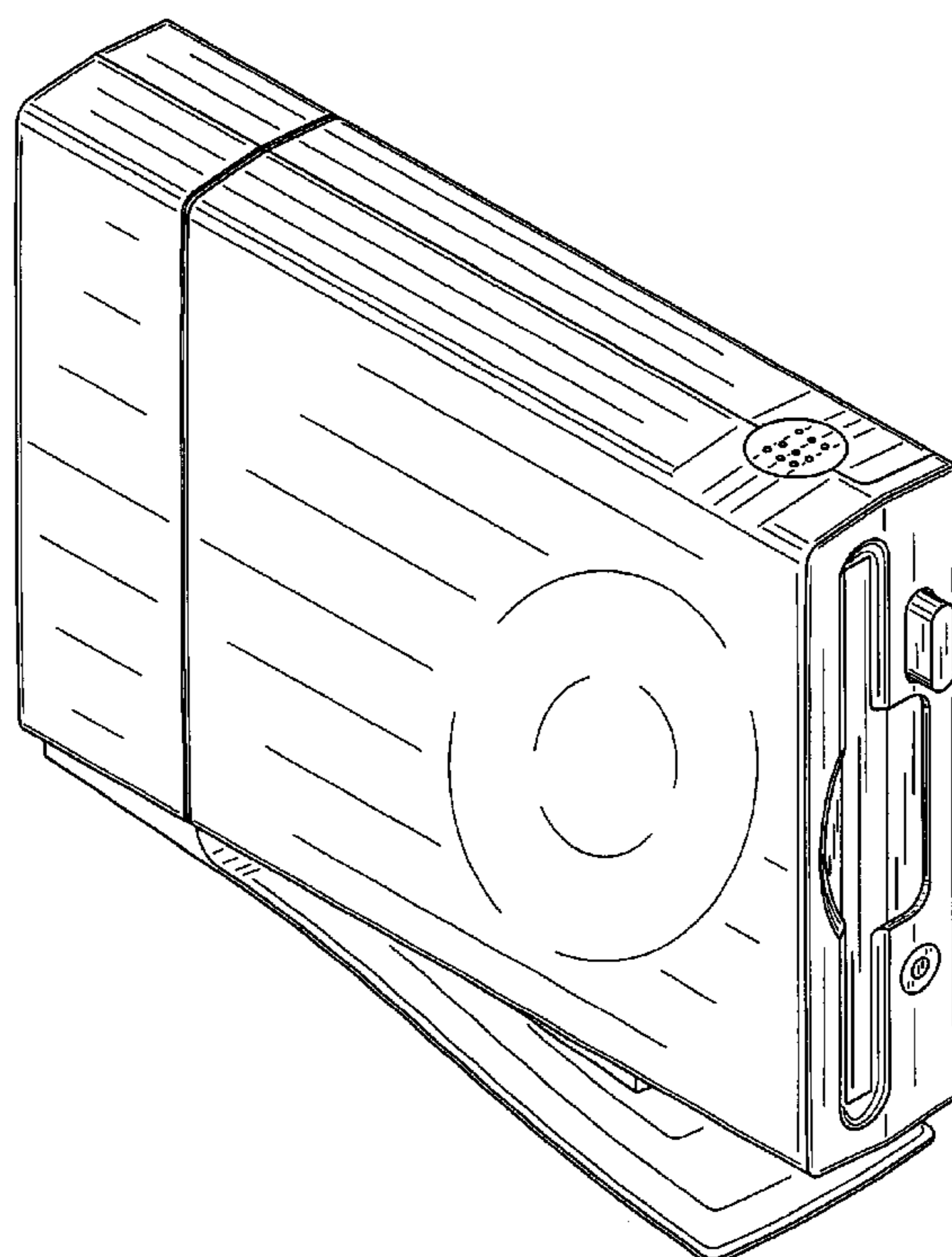
FIG. 4 is a left side elevational view thereof;

FIG. 5 is a right side elevational view thereof;

FIG. 6 is a top plan view thereof; and,

FIG. 7 is a bottom plan view thereof.

1 Claim, 4 Drawing Sheets



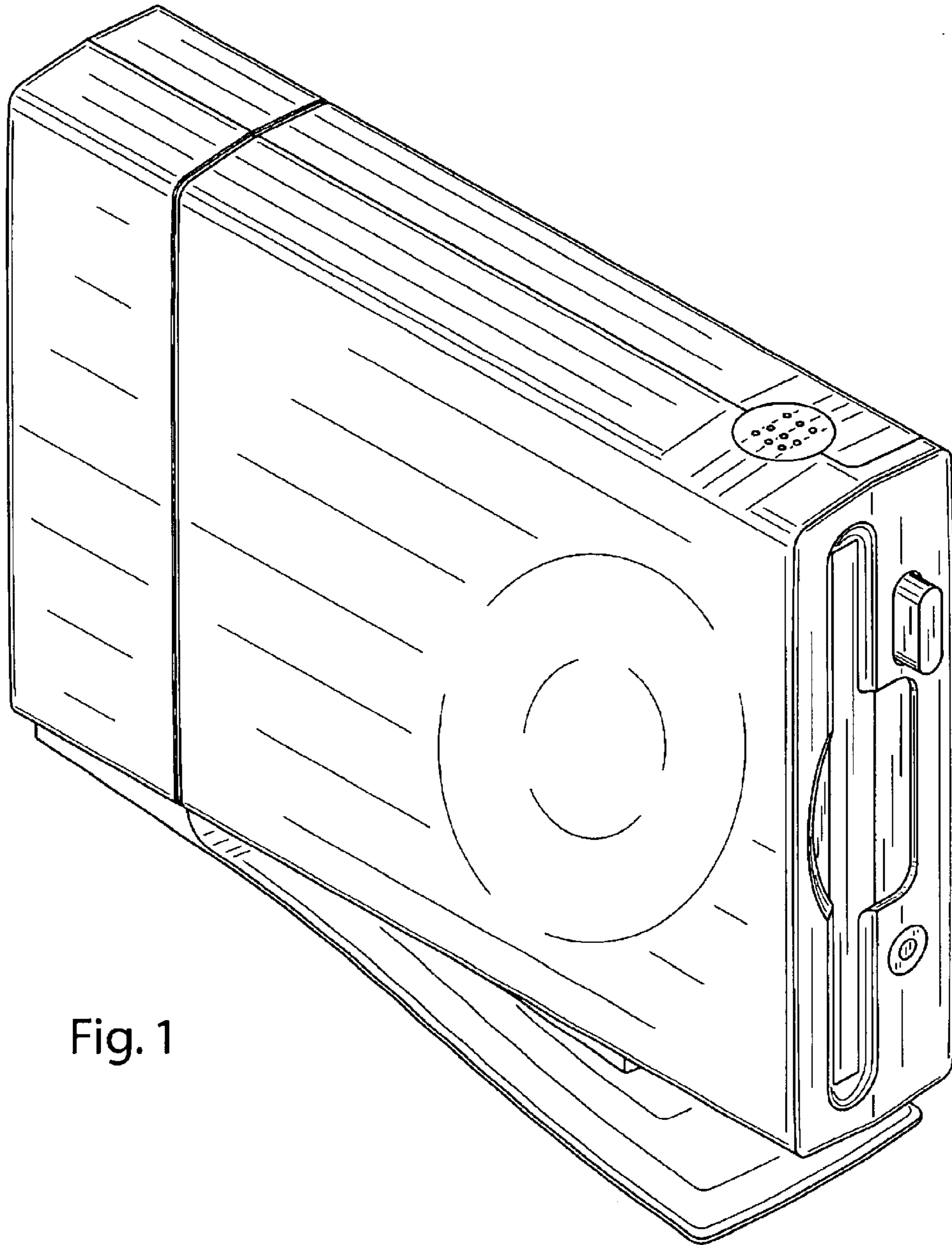


Fig. 1

Fig. 2

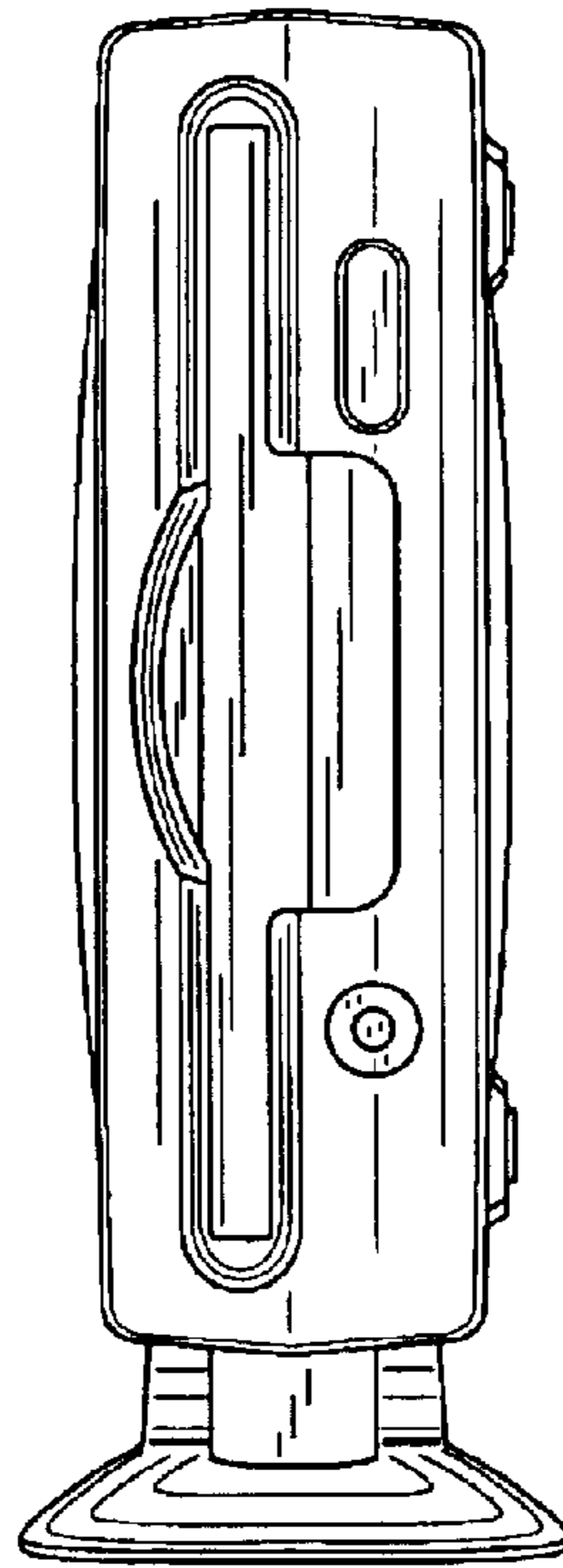
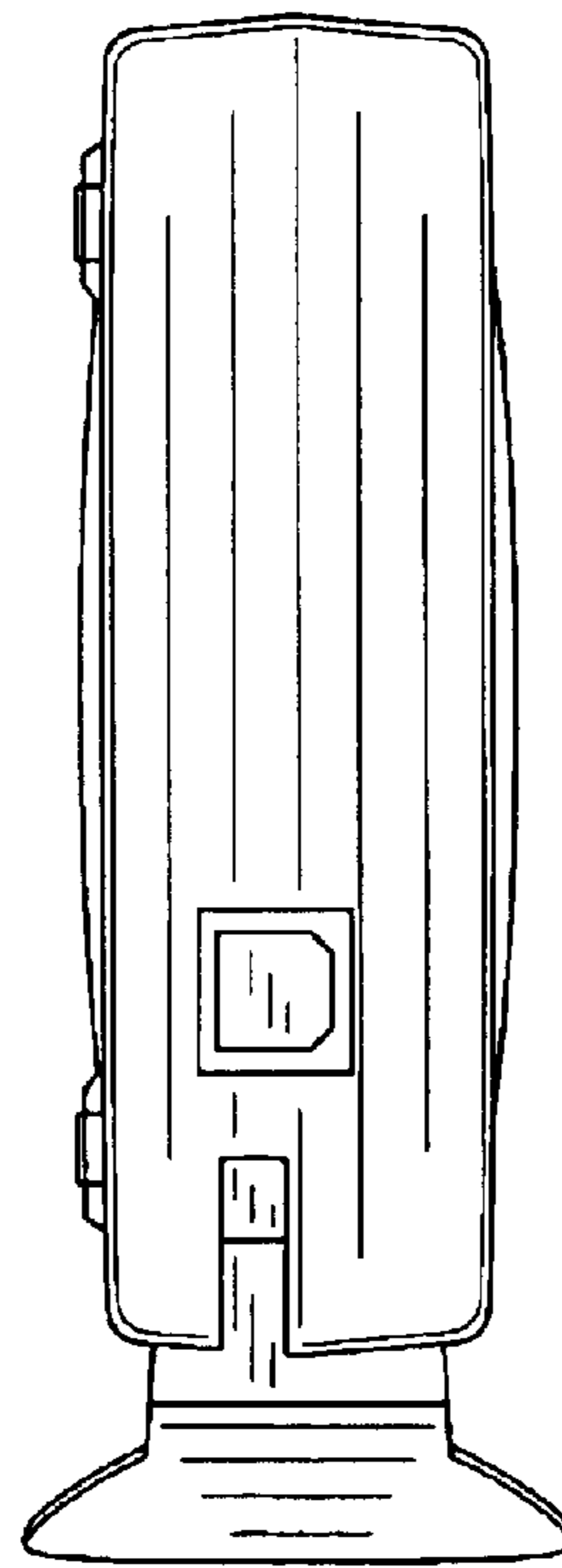


Fig. 3



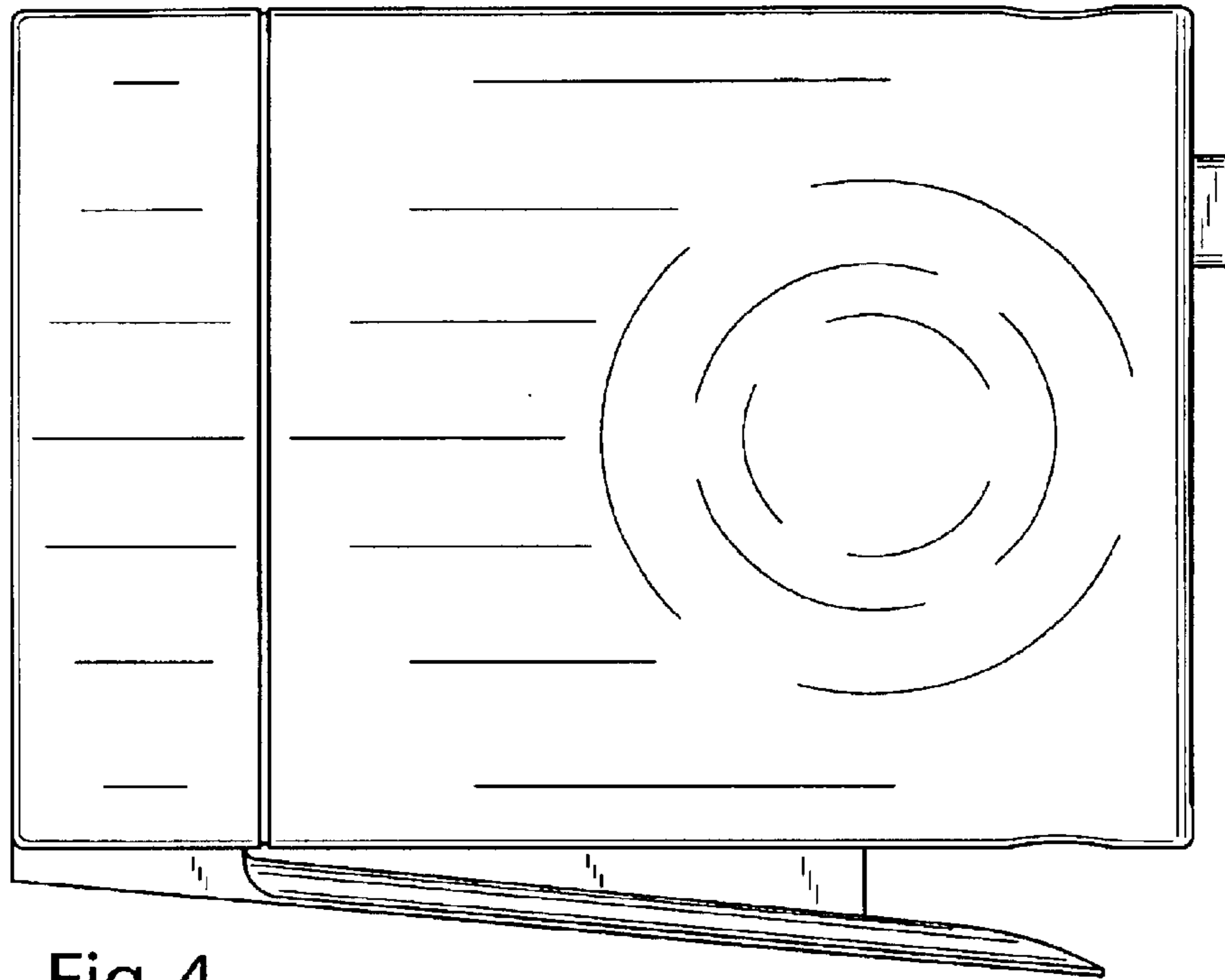


Fig. 4

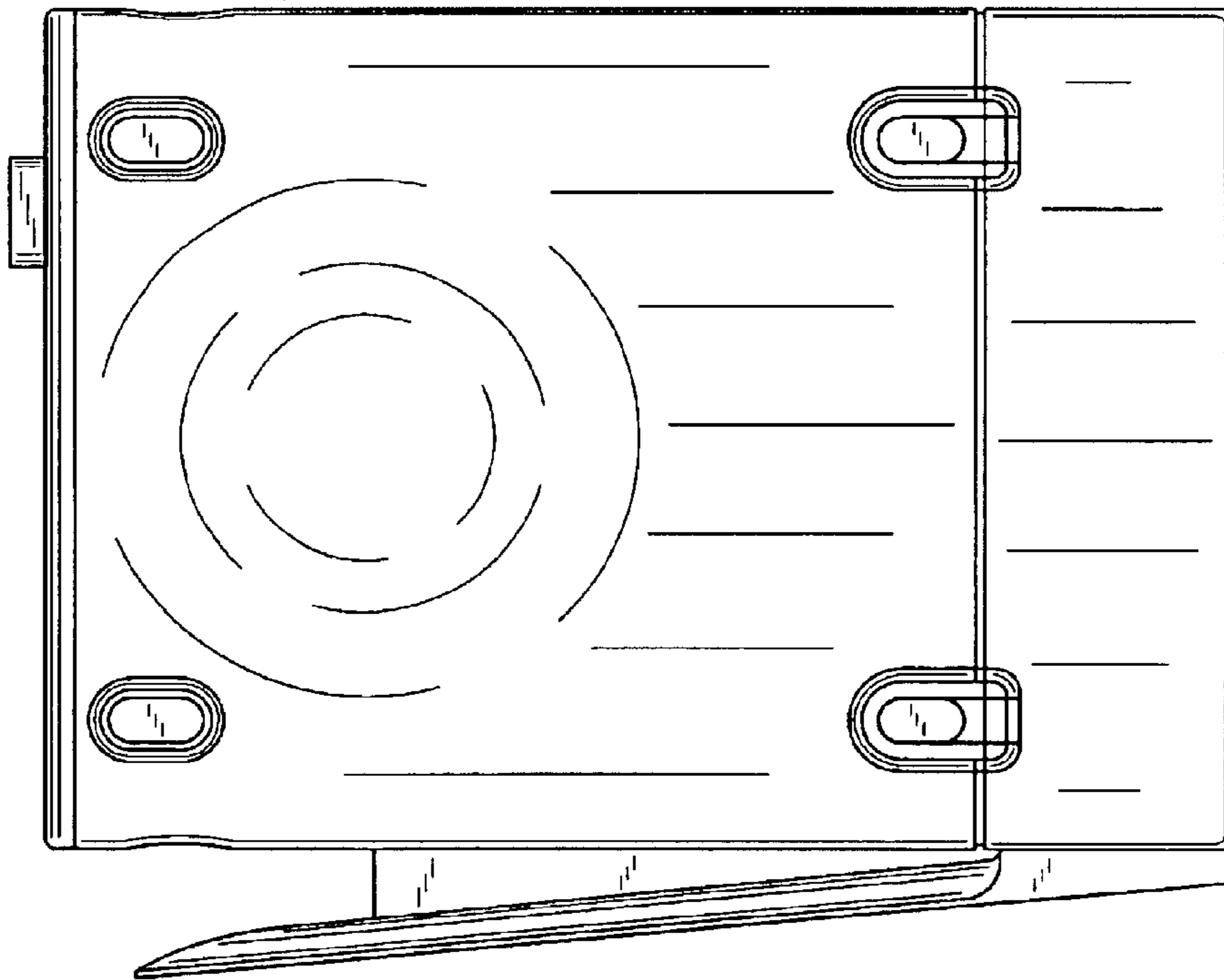


Fig. 5

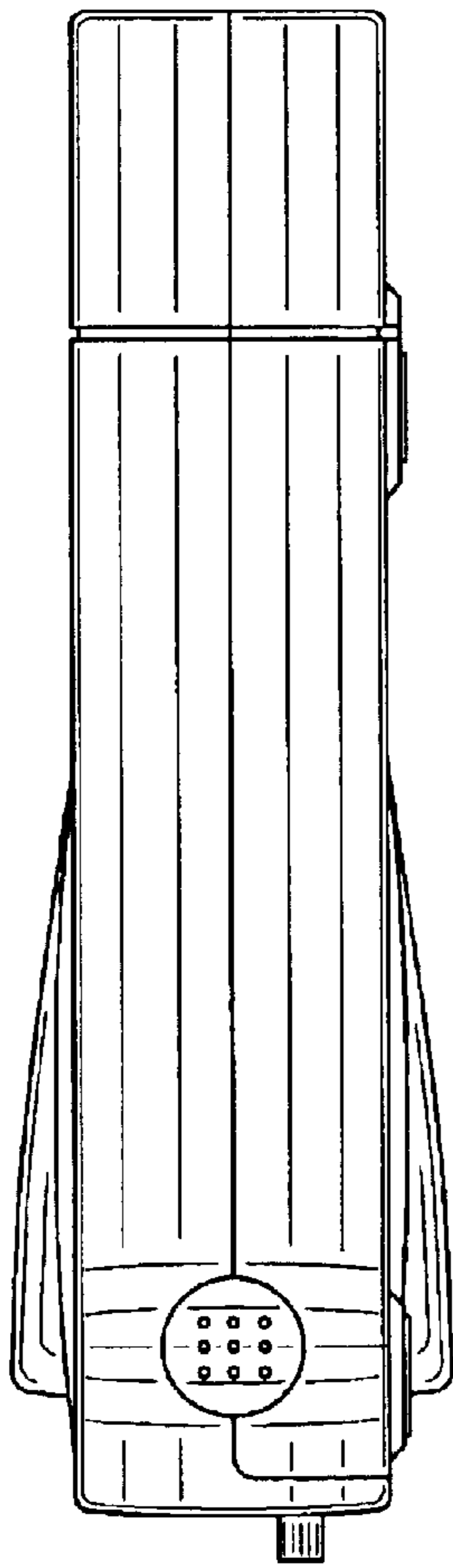


Fig. 6

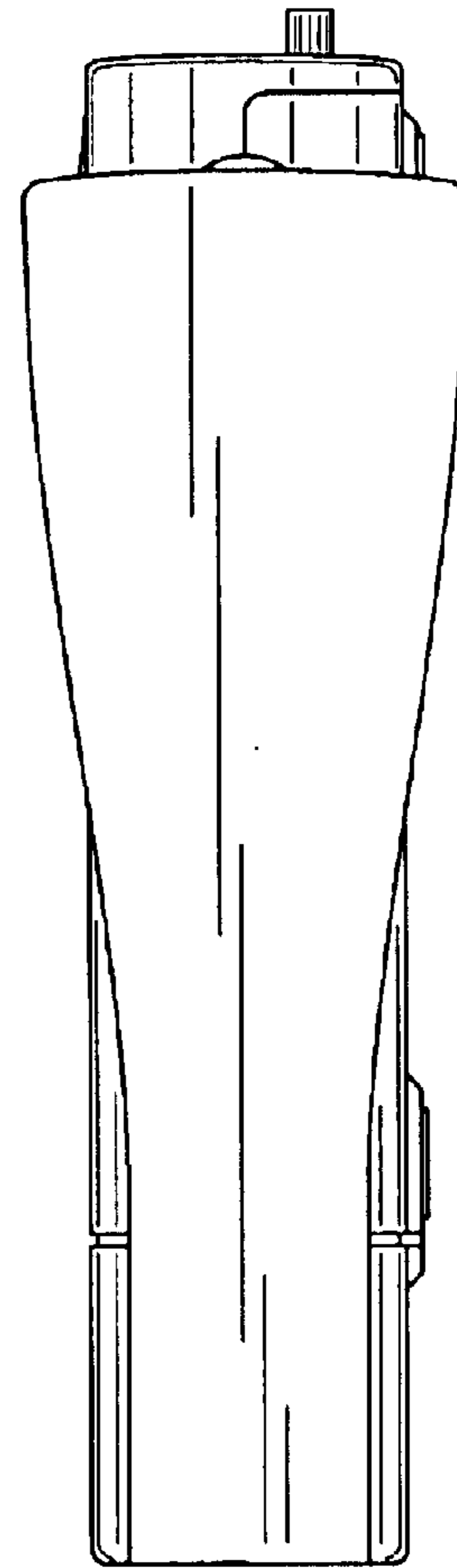


Fig. 7