



US00D492637S1

(12) **United States Design Patent**
Thompson, Sr.

(10) **Patent No.:** **US D492,637 S**
(45) **Date of Patent:** **** Jul. 6, 2004**

(54) **TOOLBOX SUPPORT FRAME WITH
TELESCOPING LEGS AND CROSSBARS**

D477,805 S * 7/2003 LaBelle et al. D12/223
6,659,524 B1 * 12/2003 Carlson 296/26.09

(76) Inventor: **Jerry D. Thompson, Sr.**, 2628 County
Rd. 4105, Greenville, TX (US) 75401

* cited by examiner

(**) Term: **14 Years**

Primary Examiner—Melody N. Brown

(74) *Attorney, Agent, or Firm*—Donald R. Schoonover

(21) Appl. No.: **29/174,883**

(57) **CLAIM**

(22) Filed: **Jan. 28, 2003**

The ornamental design for a toolbox support frame with
telescoping legs and crossbars, as shown and described.

(51) **LOC (7) Cl.** **12-06**

DESCRIPTION

(52) **U.S. Cl.** **D12/223**

(58) **Field of Search** D12/223, 423,
D12/400, 408; 296/26.08, 26.09, 37.6, 39.1,
39.2, 26.1; 224/404, 281; 414/522; 108/44

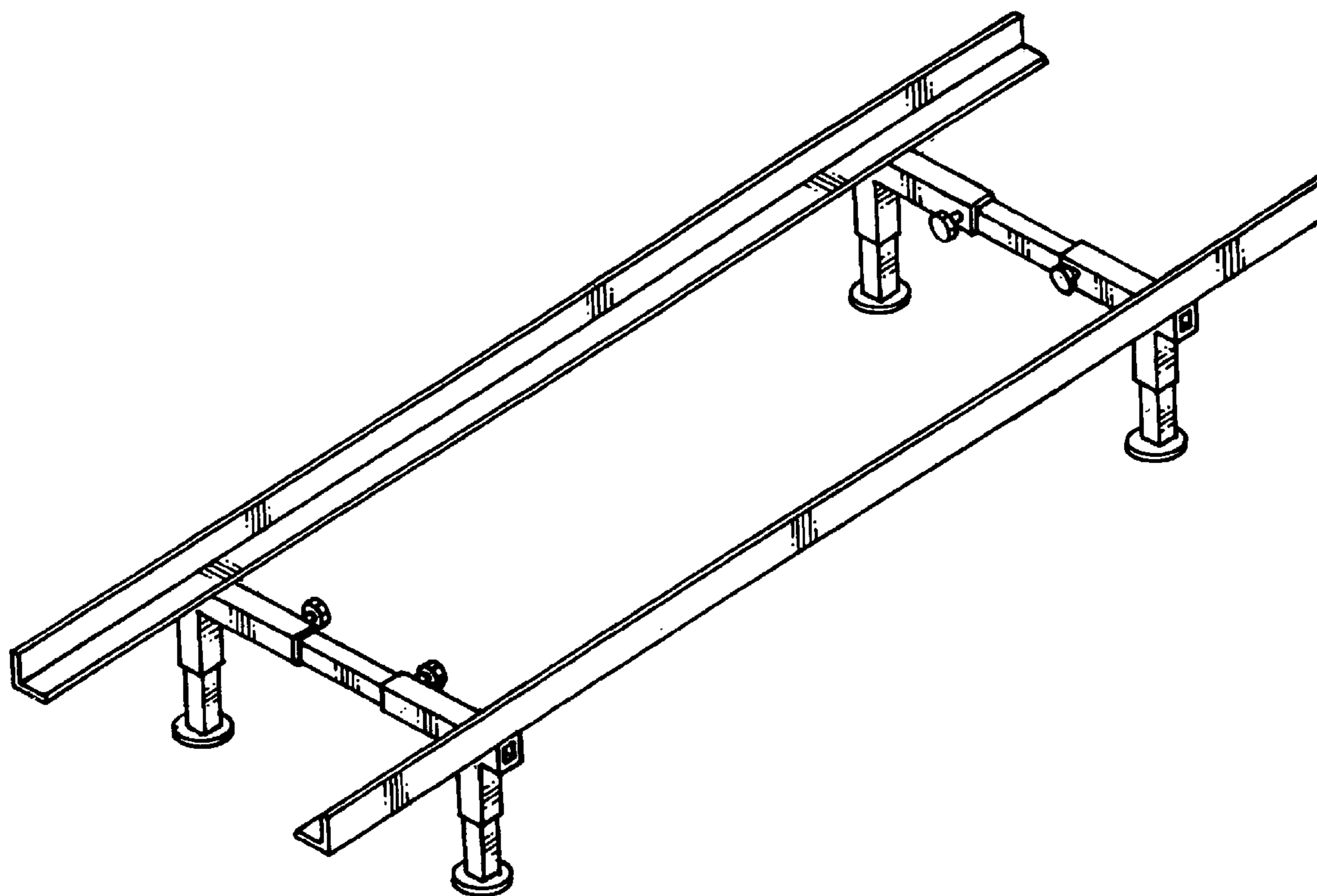
FIG. 1 is a perspective view of a toolbox support frame with
telescoping legs and crossbars showing my new design;
FIG. 2 is a side elevational view thereof, the elevational
view of the opposite side being identical thereto;
FIG. 3 is an end elevational view thereof, the elevational
view of the opposite end being identical thereto;
FIG. 4 is a top plan view thereof;
FIG. 5 is a bottom plan view thereof; and,
FIG. 6 is a reduced side elevational view showing the
toolbox support frame with telescoping legs and crossbars in
use; the broken lines depict environmental structure for
illustrative purposes only and form no part of the claimed
design.

(56) **References Cited**

U.S. PATENT DOCUMENTS

4,078,676	A	3/1978	Mortenson	
4,573,731	A	3/1986	Knaack et al.	
5,564,767	A	10/1996	Strepek	
D376,577	S	* 12/1996	Avery D12/408
6,250,702	B1	* 6/2001	Eipper 296/26.1
6,257,638	B1	* 7/2001	Graber 296/26.09
6,390,525	B2	* 5/2002	Carpenter et al. 296/26.09
6,398,283	B1	* 6/2002	Knudtson et al. 296/26.09
6,491,331	B1	* 12/2002	Fox 296/26.09

1 Claim, 4 Drawing Sheets



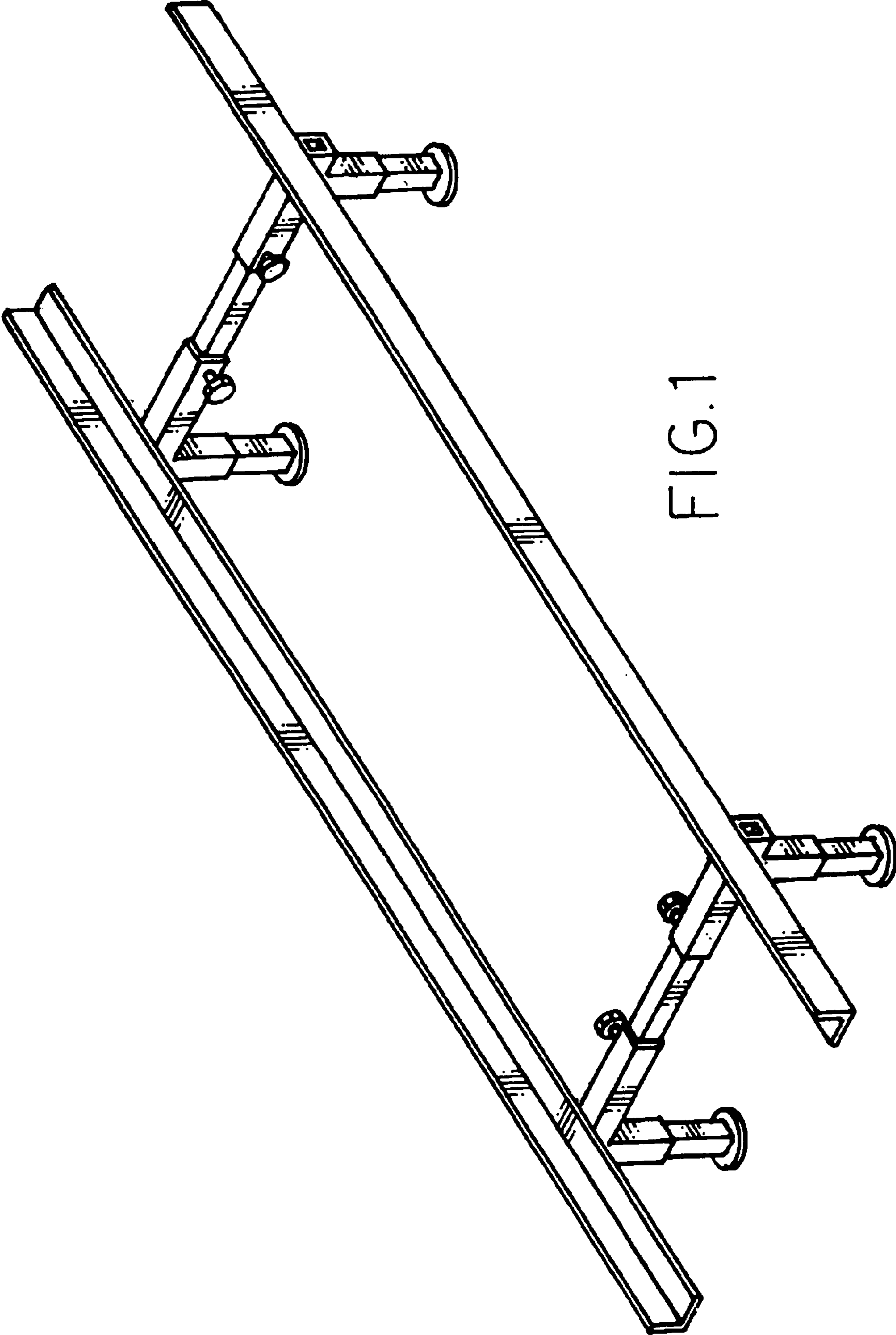


FIG.1

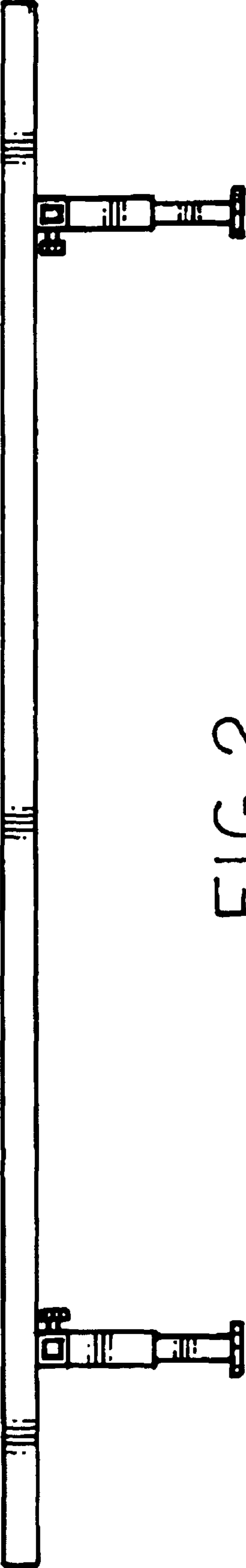


FIG. 2.

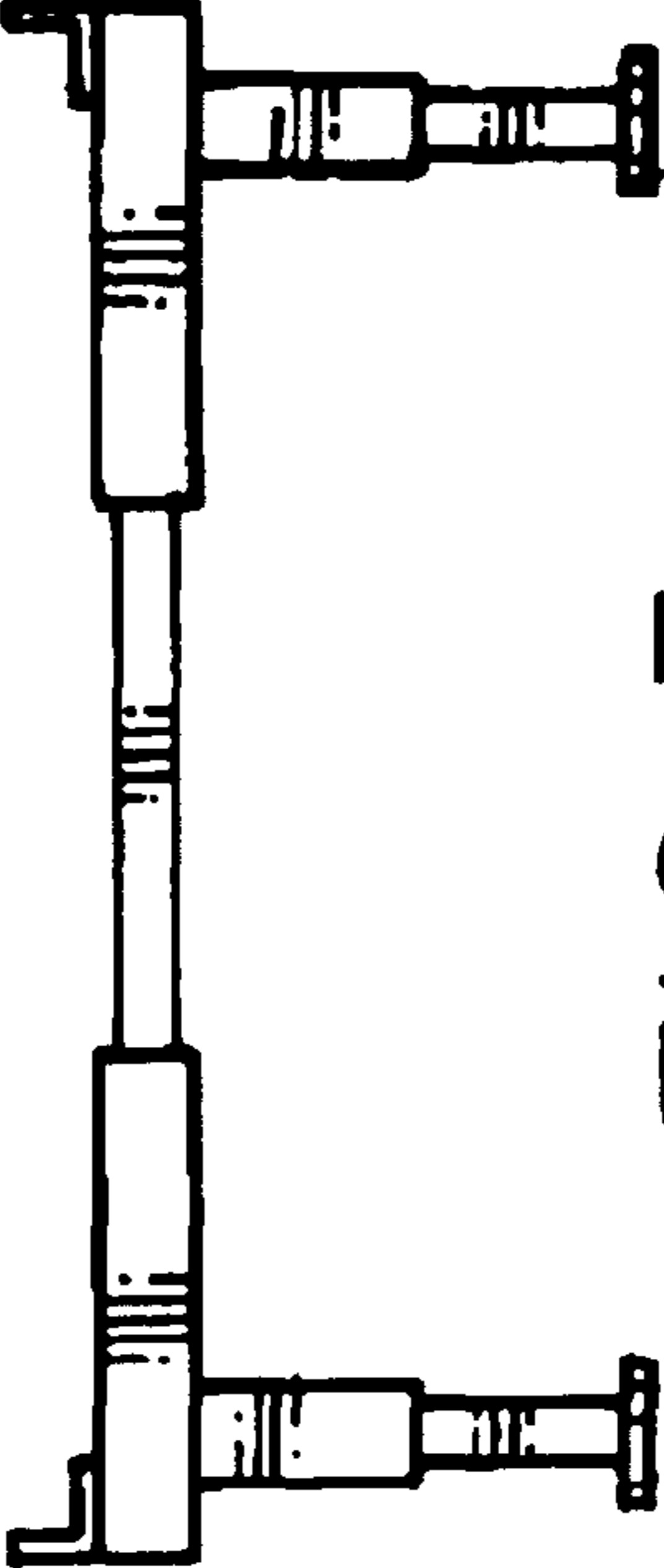
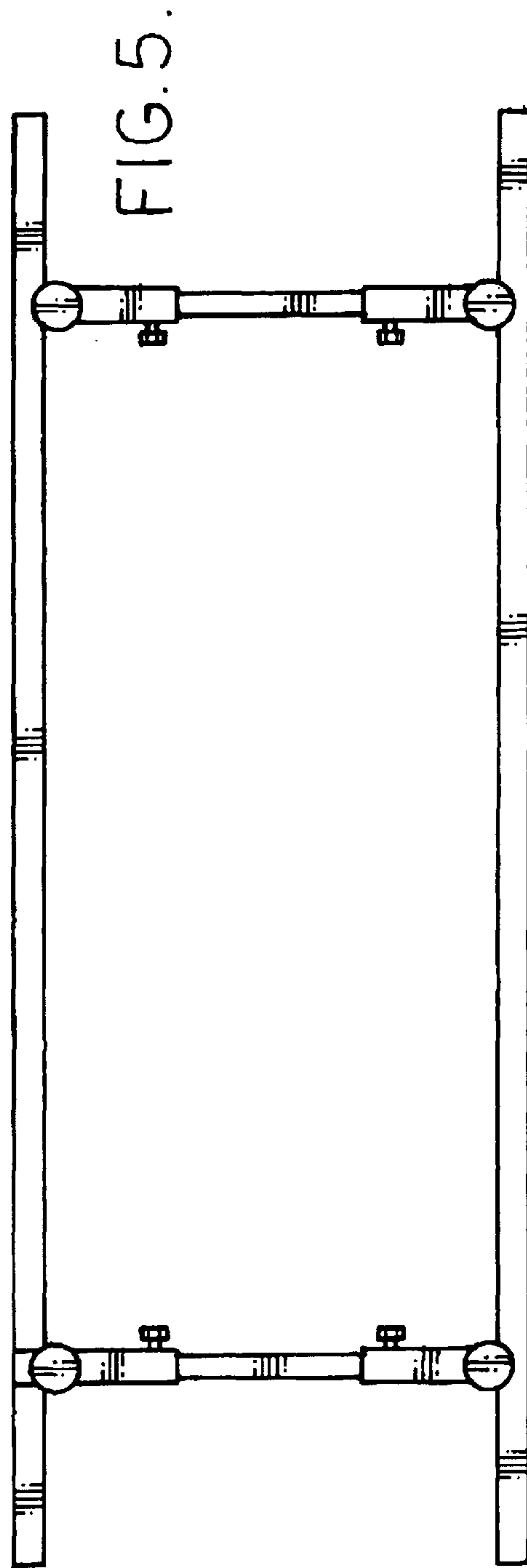
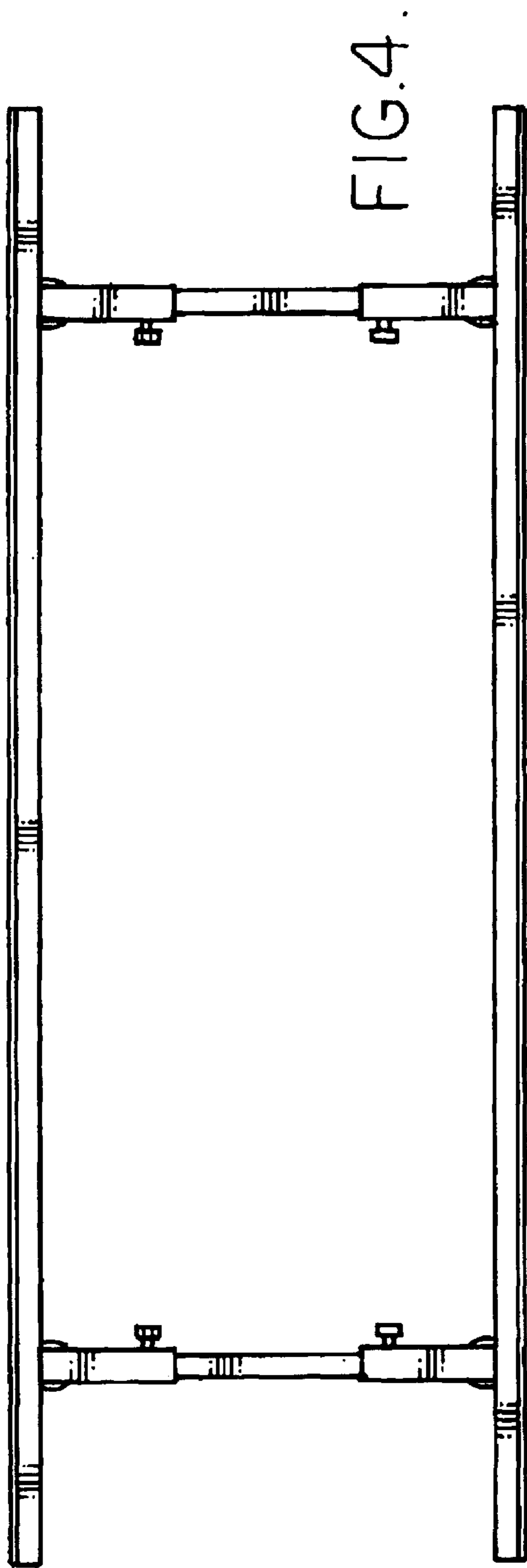


FIG. 3.



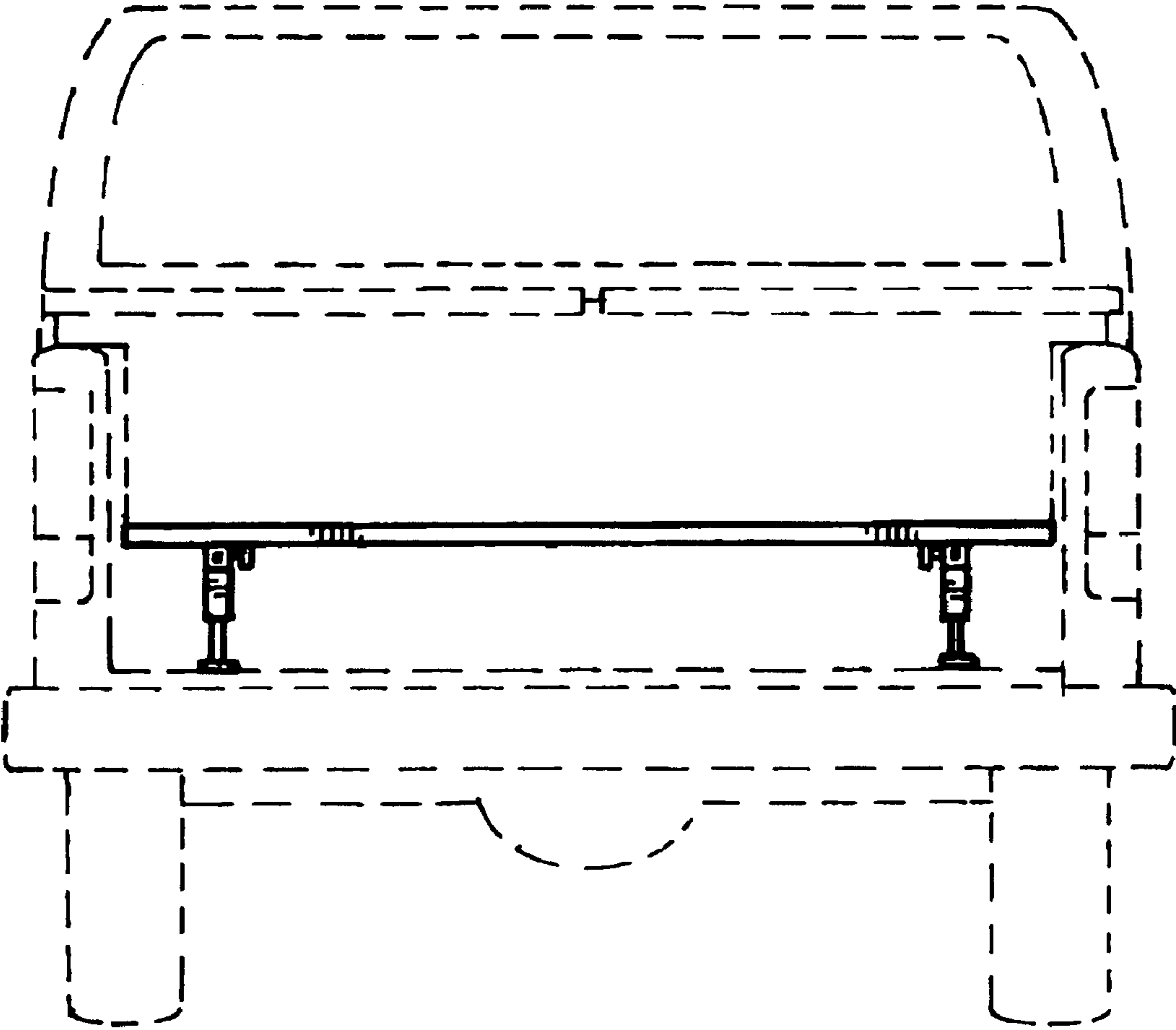


FIG. 6.