

US00D492634S1

(12) **United States Design Patent**  
**Butterfield et al.**

(10) **Patent No.:** **US D492,634 S**  
(45) **Date of Patent:** **\*\* Jul. 6, 2004**

(54) **BIDIRECTIONAL MUFFLER**  
(75) Inventors: **David A. Butterfield**, Mountain Home, AK (US); **Jerry E. Myers**, Mountain Home, AK (US)

D418,469 S \* 1/2000 Whisenhunt ..... D12/194  
D423,436 S \* 4/2000 Larson ..... D12/194  
D465,444 S \* 11/2002 Witham ..... D12/194  
D473,175 S \* 4/2003 Gilli ..... D12/194  
D473,177 S \* 4/2003 Murkett ..... D12/194

(73) Assignee: **Jones Exhaust Systems**, Adamville, TN (US)

\* cited by examiner

(\*\*) Term: **14 Years**

*Primary Examiner*—Stacia Cadmus  
(74) *Attorney, Agent, or Firm*—Pitts & Brittan, P.C.

(21) Appl. No.: **29/195,759**

(22) Filed: **Dec. 17, 2003**

(57) **CLAIM**

The ornamental design for a bidirectional muffler, as shown and described.

(51) **LOC (7) Cl.** ..... **12-16**  
(52) **U.S. Cl.** ..... **D12/194**  
(58) **Field of Search** ..... D12/194, 110, D12/400; 181/239, 227, 228, 264, 247-249, 277-280, 282; D15/5; 60/302, 313, 323; 29/890.08; 138/37-39, 44, 103, 109

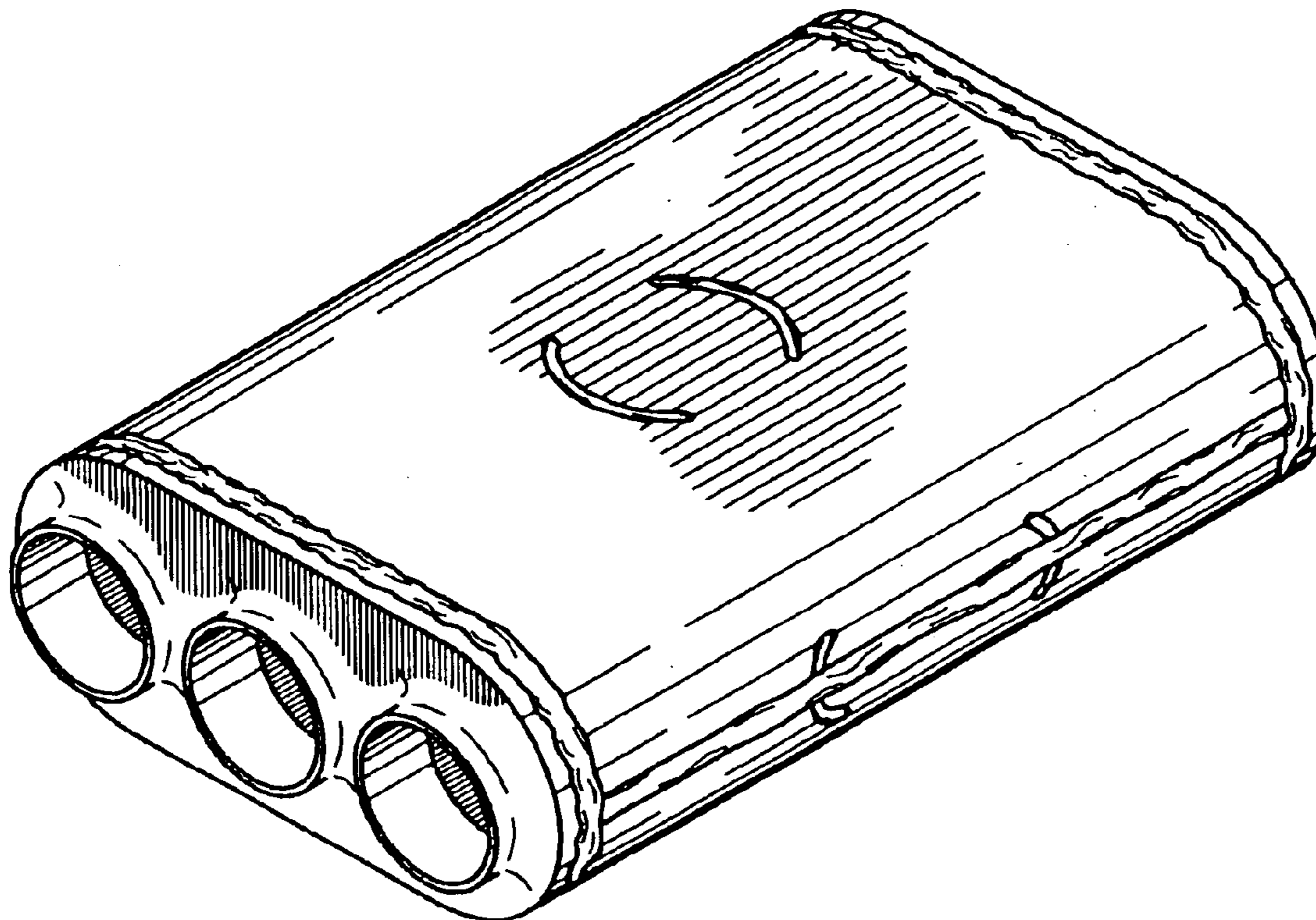
**DESCRIPTION**

FIG. 1 is a perspective view of the bidirectional muffler; FIG. 2 is a bottom plan view of the bidirectional muffler; FIG. 3 is end plan view of the bidirectional muffler, the opposite end plan view being a mirror image of FIG. 3; FIG. 4 is an elevational view of the right-hand side of the bidirectional muffler as depicted in FIG. 1; and, FIG. 5 is an elevational view of the left-hand side of the bidirectional muffler as depicted in FIG. 1.

(56) **References Cited**  
**U.S. PATENT DOCUMENTS**

2,909,235 A \* 10/1959 Beranek ..... 181/252  
D406,089 S \* 2/1999 Burns ..... D12/194

**1 Claim, 3 Drawing Sheets**



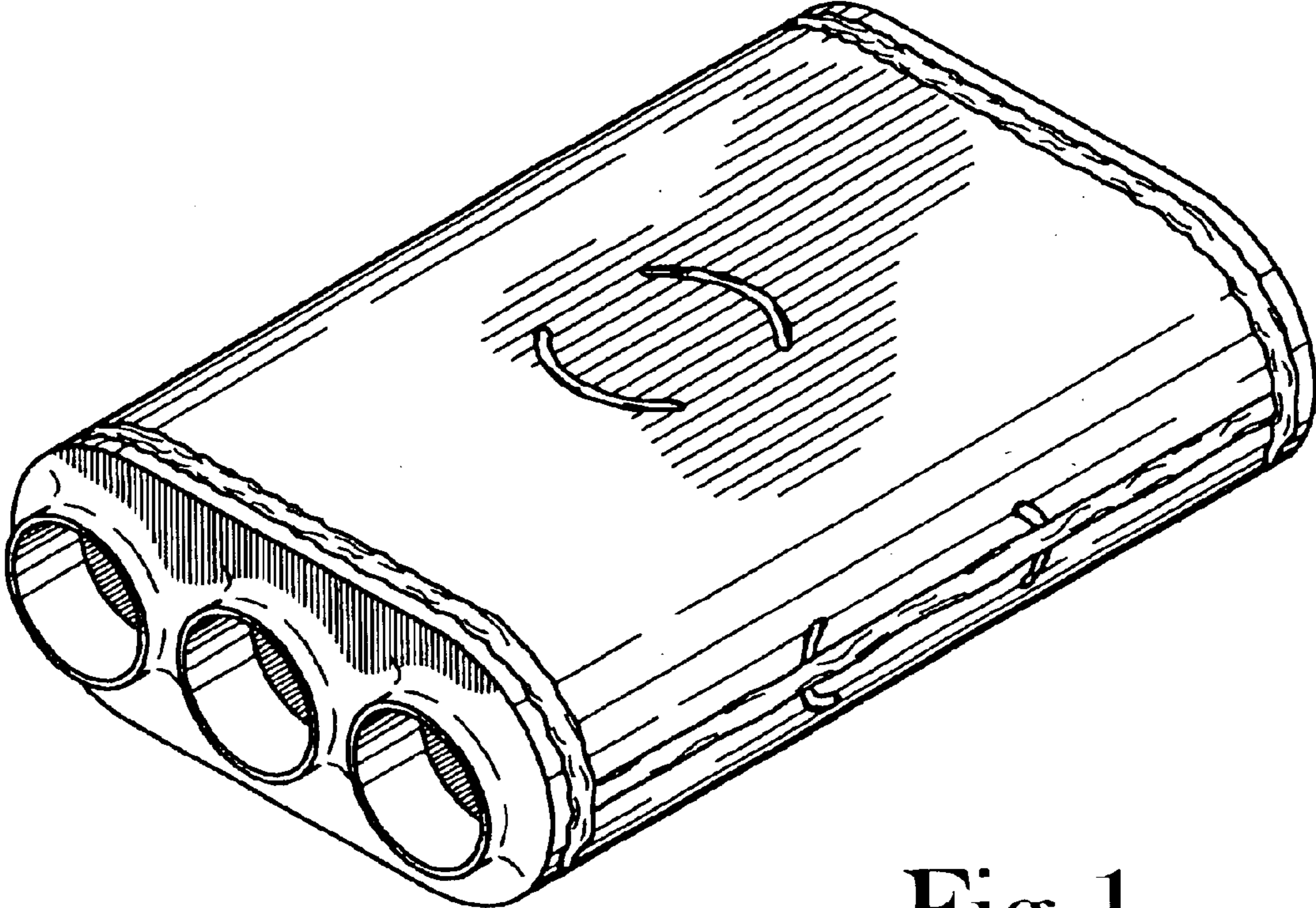


Fig. 1

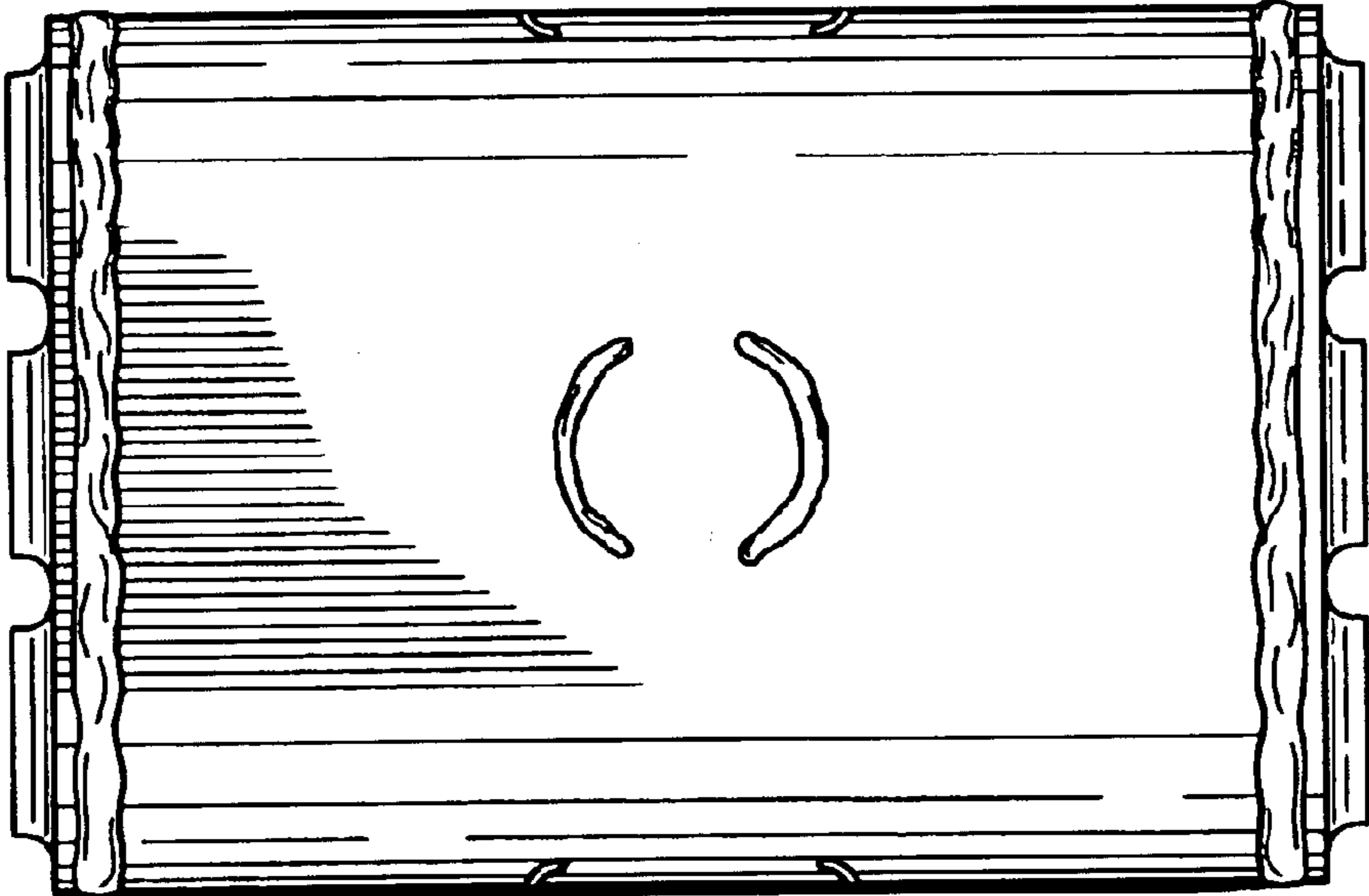


Fig. 2

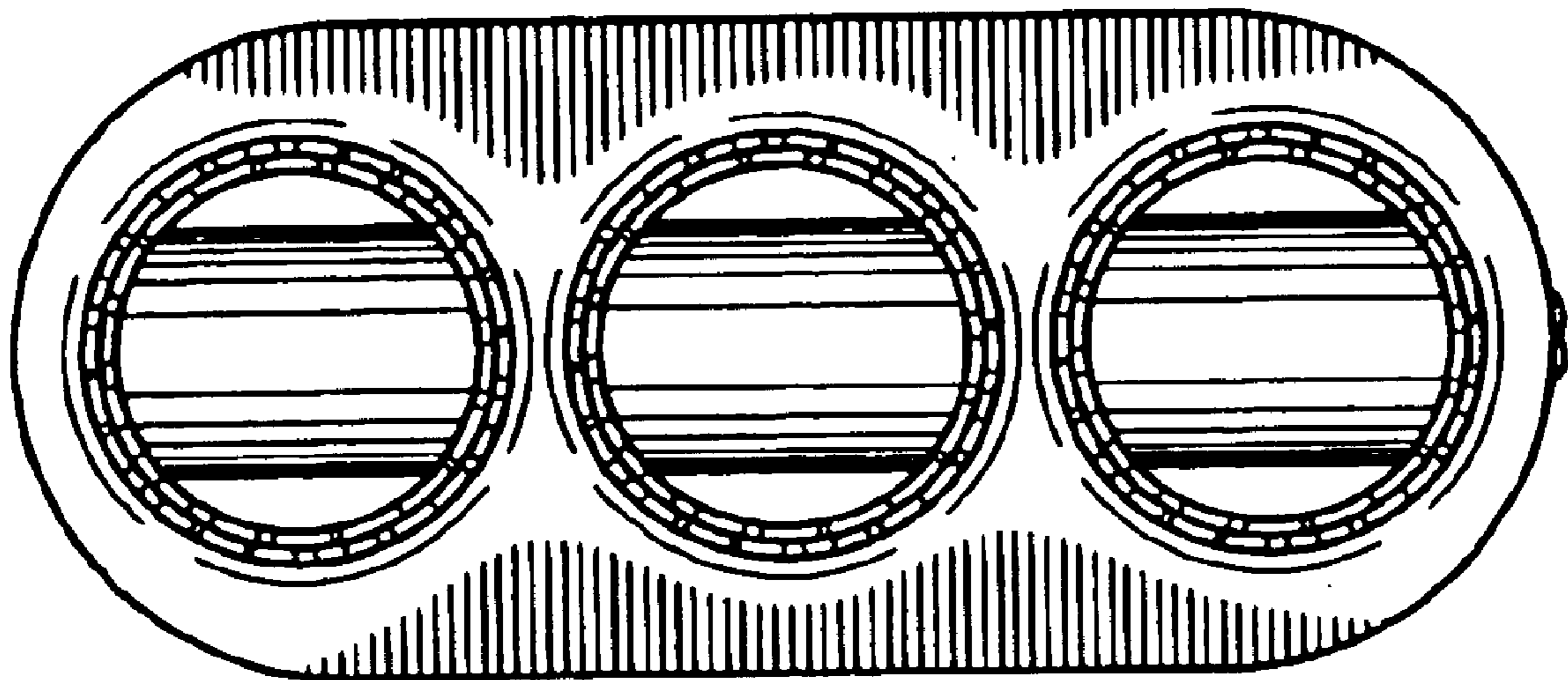


Fig. 3

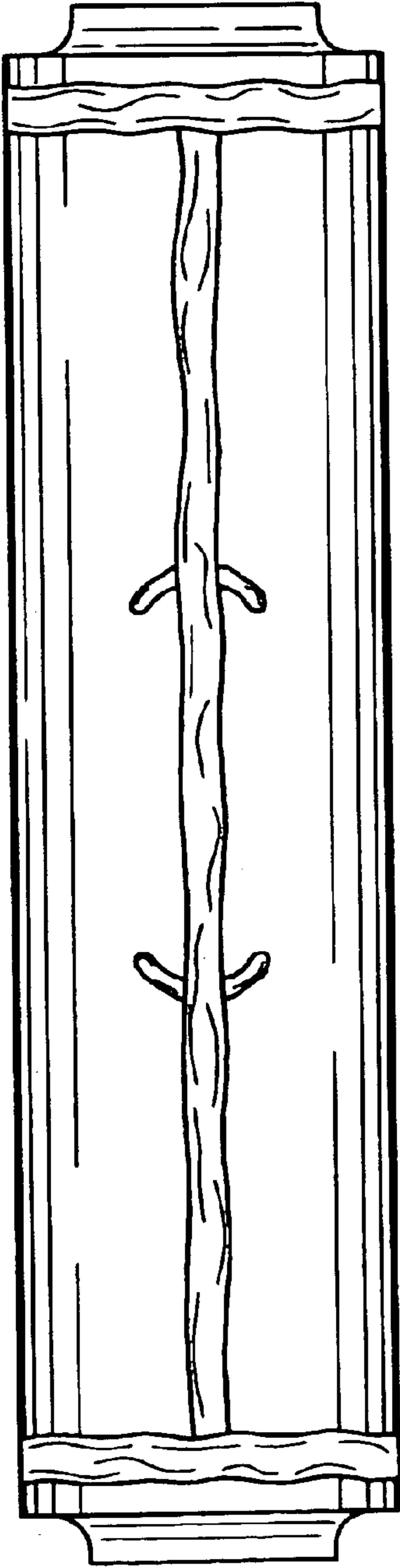


Fig. 4

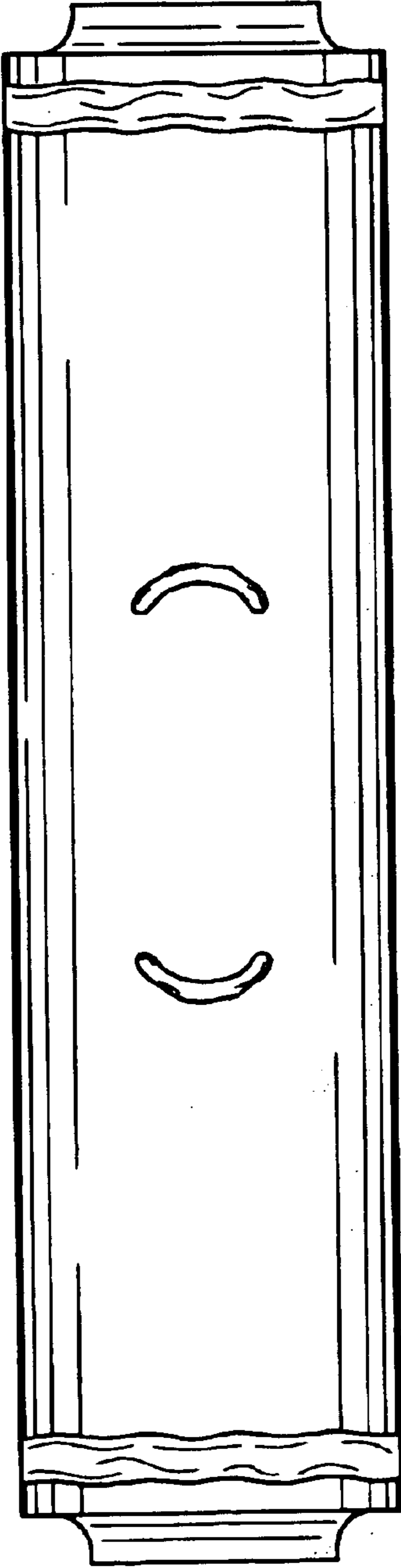


Fig. 5