



US00D492623S1

(12) **United States Design Patent**
DeLanghe et al.

(10) **Patent No.:** **US D492,623 S**

(45) **Date of Patent:** **** Jul. 6, 2004**

(54) **HANDLE BAR MOUNTED HAND GUARD**

(75) Inventors: **Ernest J. DeLanghe**, Burnsville, MN (US); **Joseph W. Pfankuch**, Burnsville, MN (US); **Mathew J. Pfankuch**, Burnsville, MN (US); **Robert J. Hurd**, Chaska, MN (US)

(73) Assignee: **PowerMadd, Inc.**, Burnsville, MN (US)

(**) Term: **14 Years**

(21) Appl. No.: **29/178,125**

(22) Filed: **Mar. 21, 2003**

(51) **LOC (7) Cl.** **12-11**

(52) **U.S. Cl.** **D12/114**

(58) **Field of Search** D12/114, 178;
74/551.8, 551.9; 280/288.4, 304.3; 296/78.1

(56) **References Cited**

U.S. PATENT DOCUMENTS

D319,992 S * 9/1991 Acerbis D12/114

OTHER PUBLICATIONS

Tucker Rocky Distributing 2001 catalog, MSR Plastic Guards on p. 416.*

* cited by examiner

Primary Examiner—Alan P. Douglas

Assistant Examiner—Linda Brooks

(74) *Attorney, Agent, or Firm*—Westman, Champlin & Kelly, P.A.

(57) **CLAIM**

The ornamental design for a handle bar mounted hand guard, as shown and described.

DESCRIPTION

FIG. 1 is a perspective view of a handle bar mounted hand guard embodying our new design;

FIG. 2 is an outer side elevational view thereof;

FIG. 3 is an inner side elevational view thereof;

FIG. 4 is a front elevational view thereof;

FIG. 5 is a rear elevational view thereof;

FIG. 6 is a top plan view thereof; and,

FIG. 7 is a bottom plan view thereof.

The broken lines shown are for illustrative purposes only and form no part of the claimed design.

1 Claim, 6 Drawing Sheets

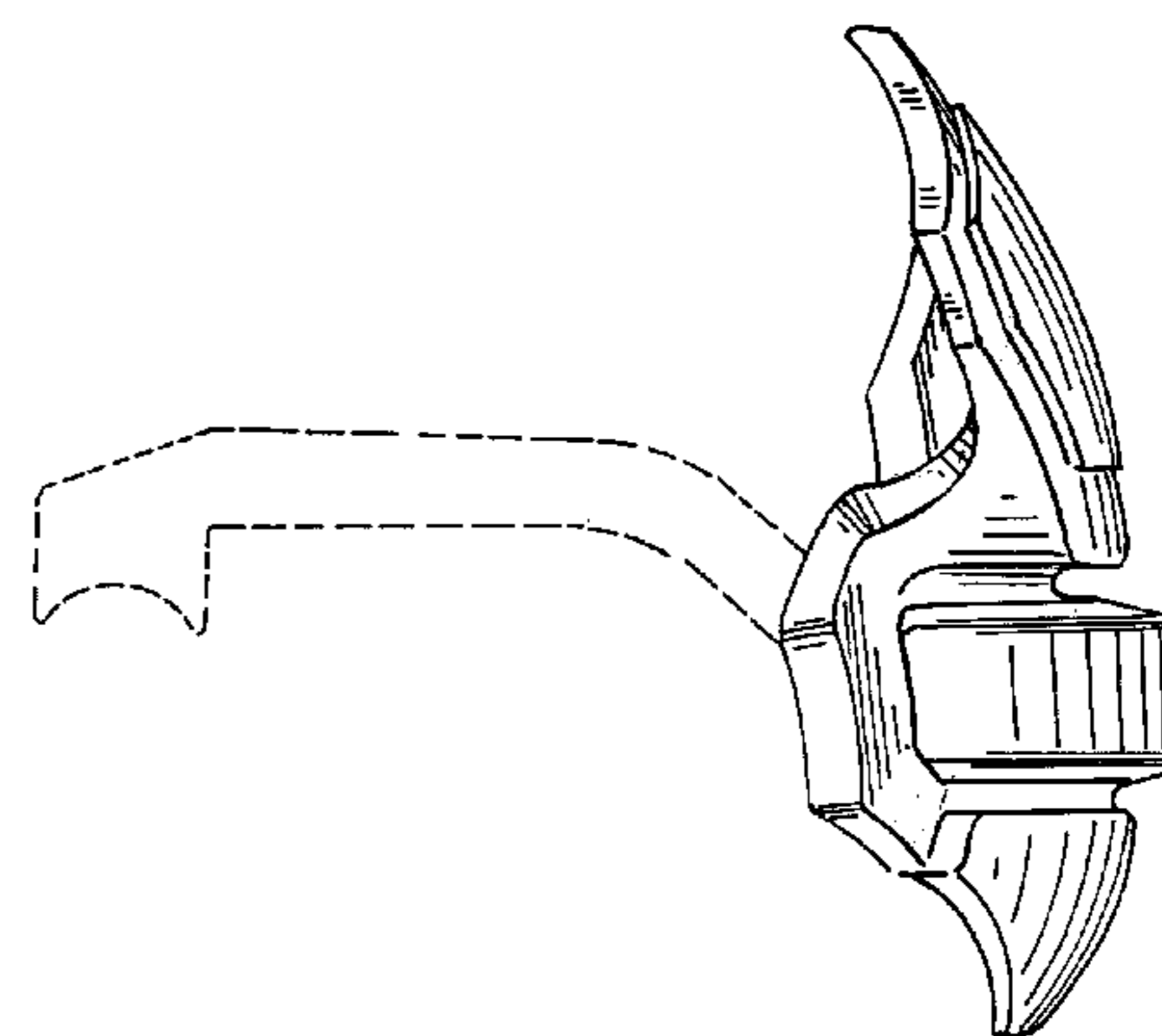
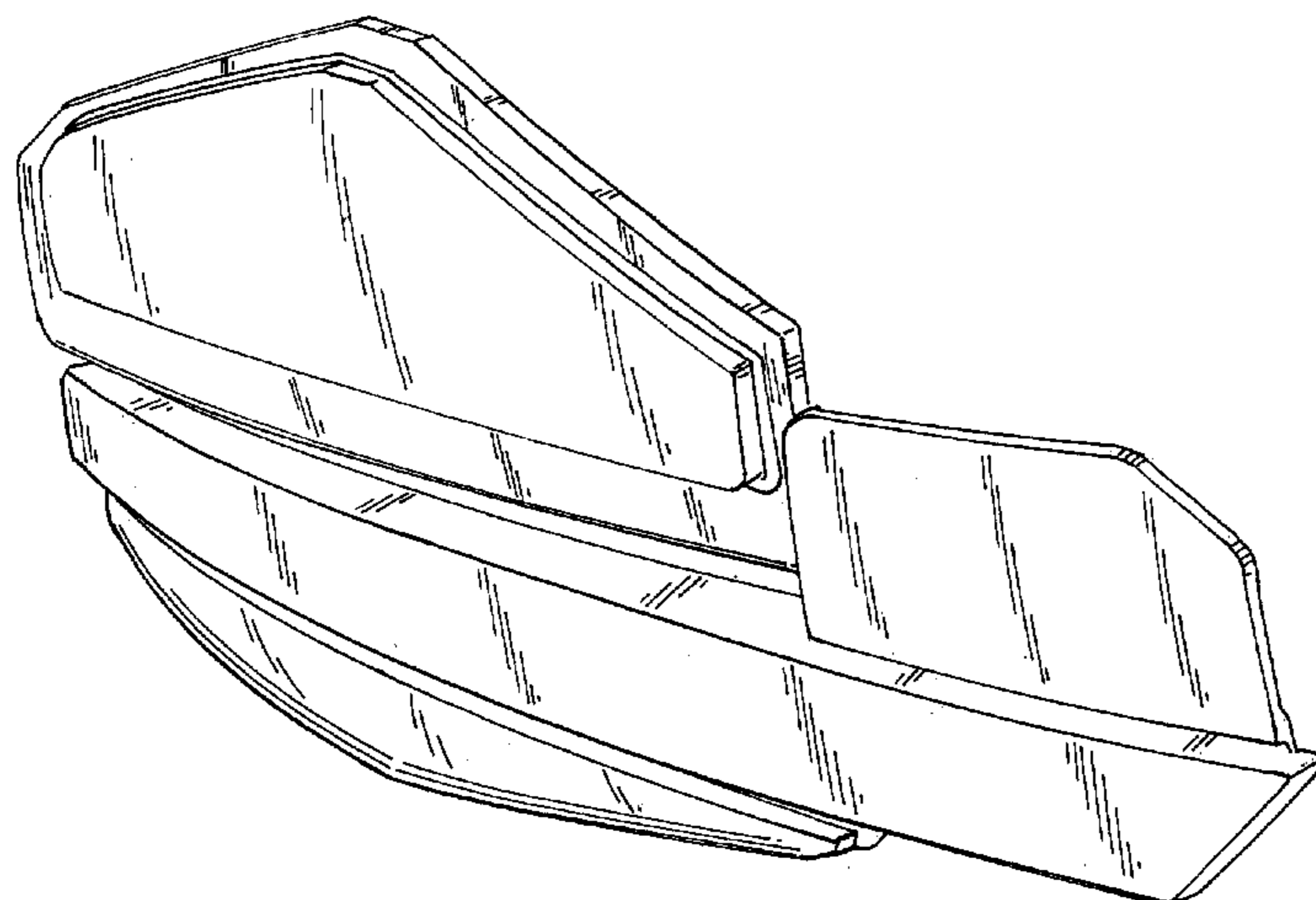
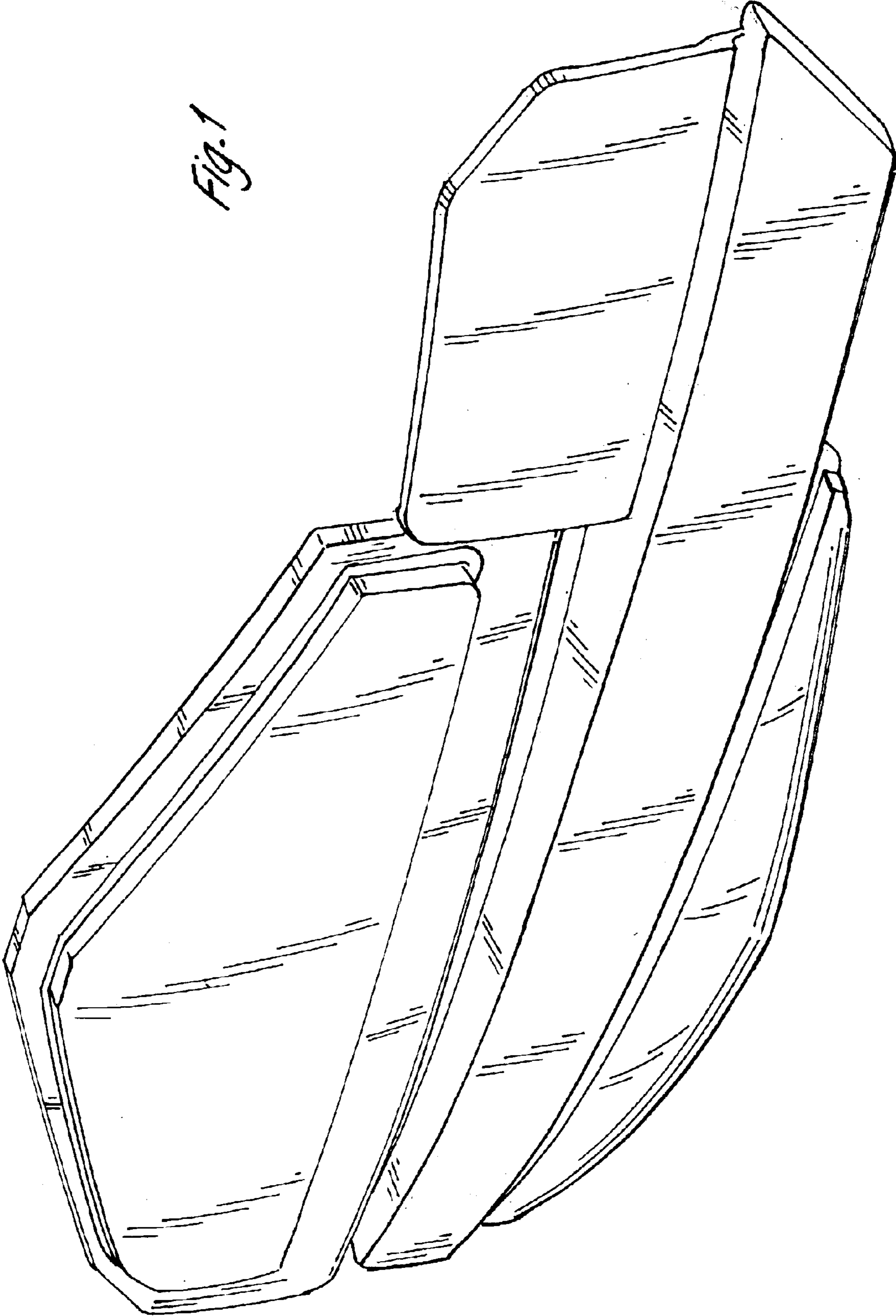


FIG. 1



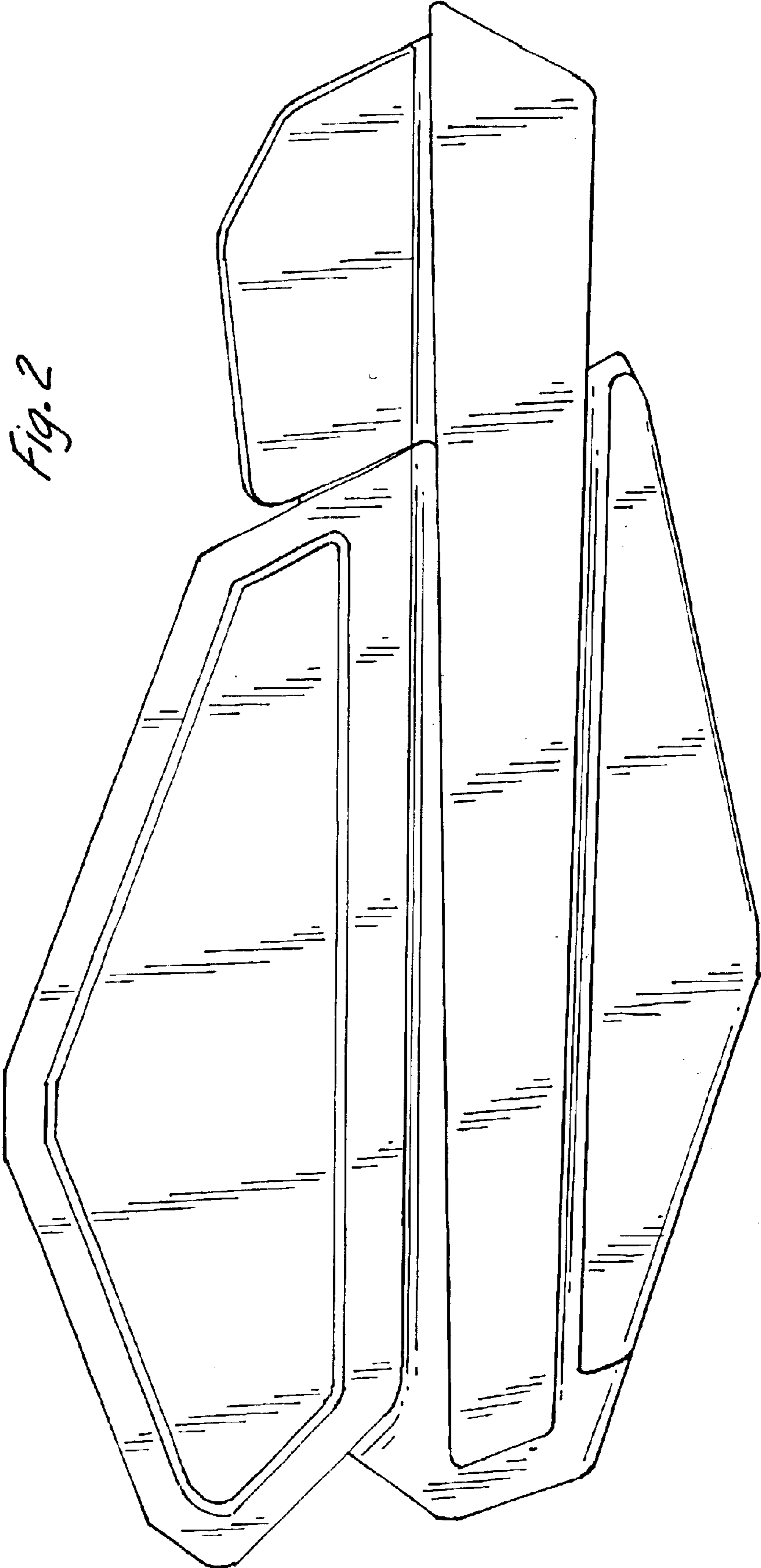


Fig. 2

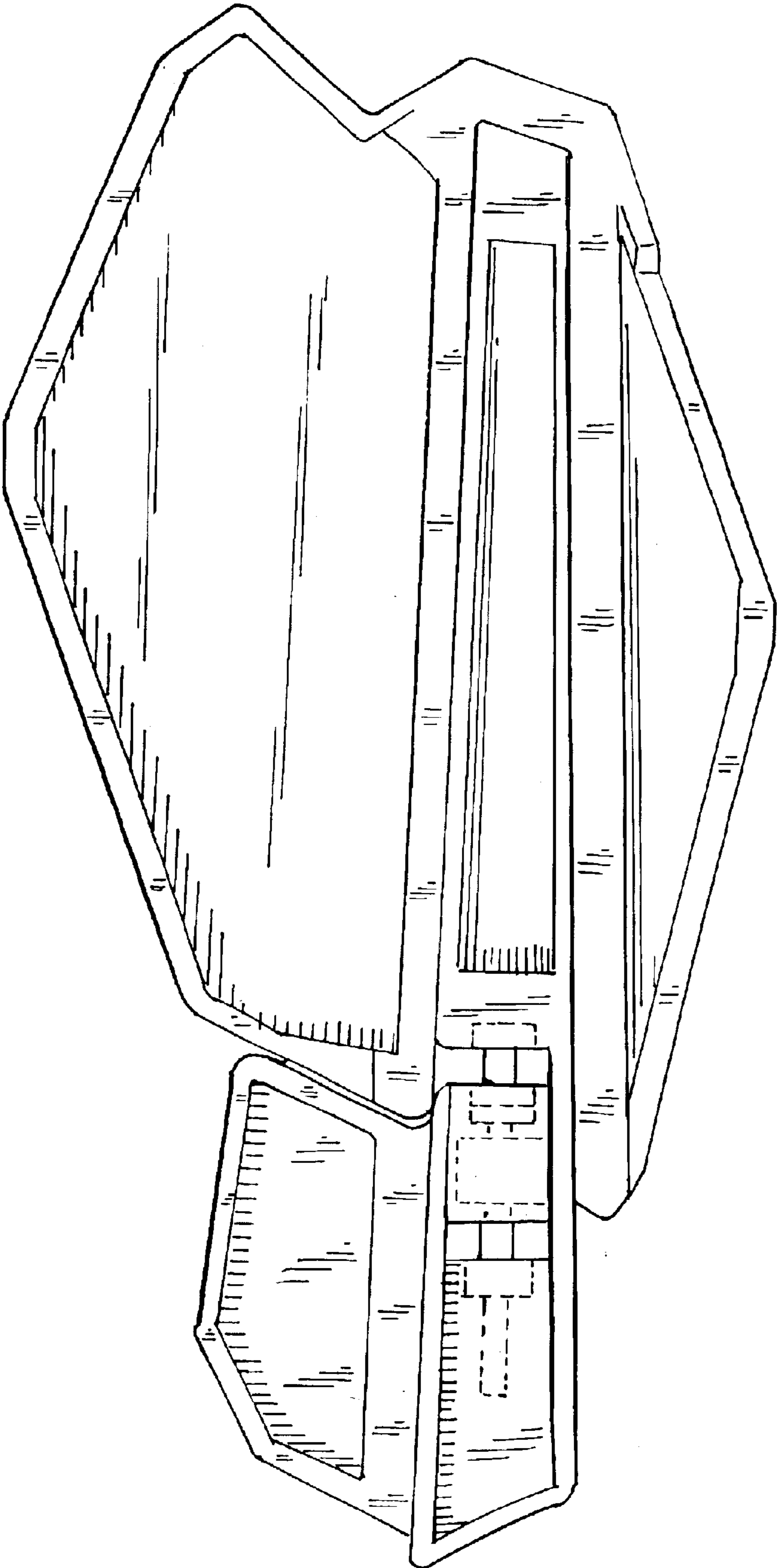
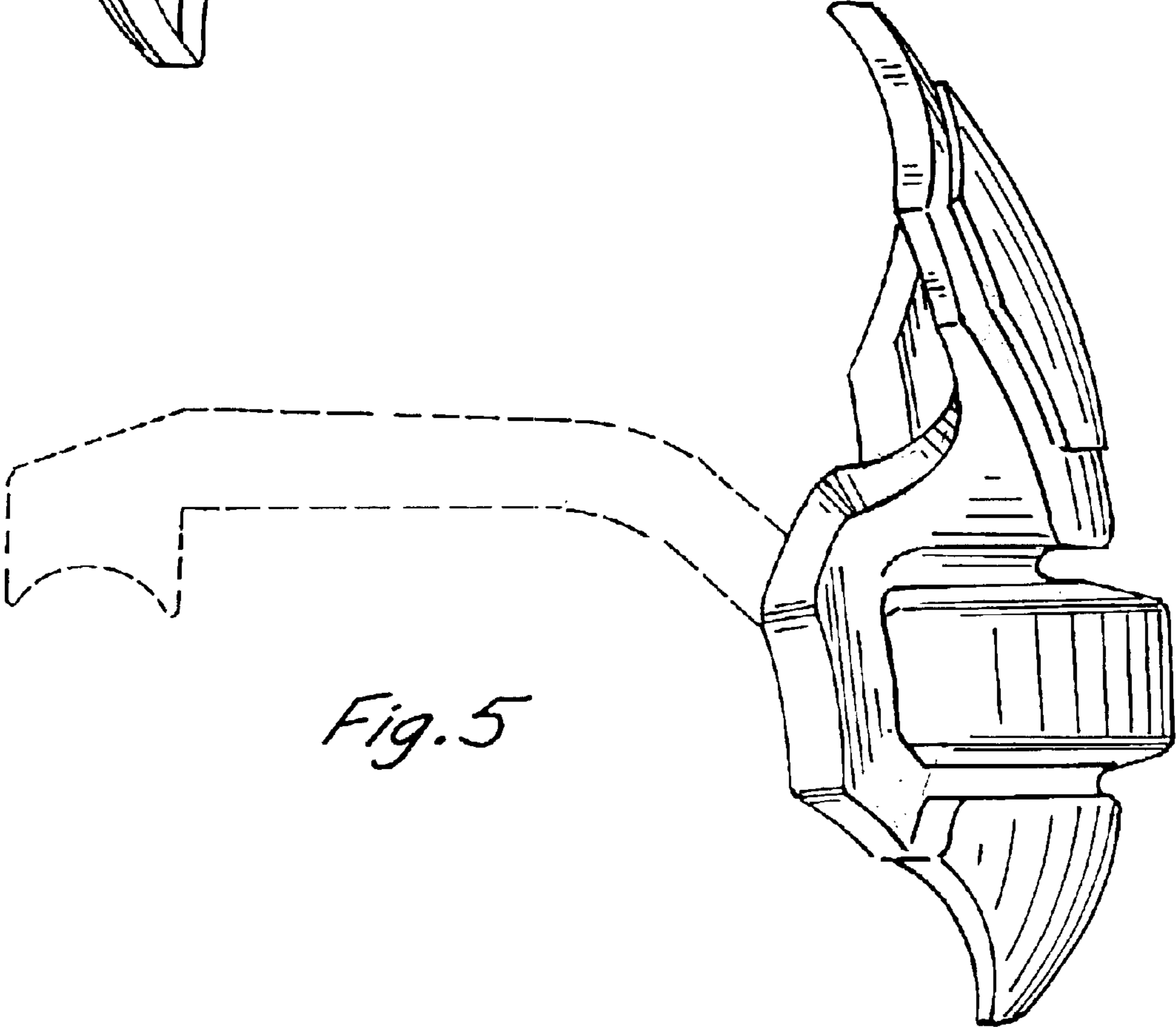
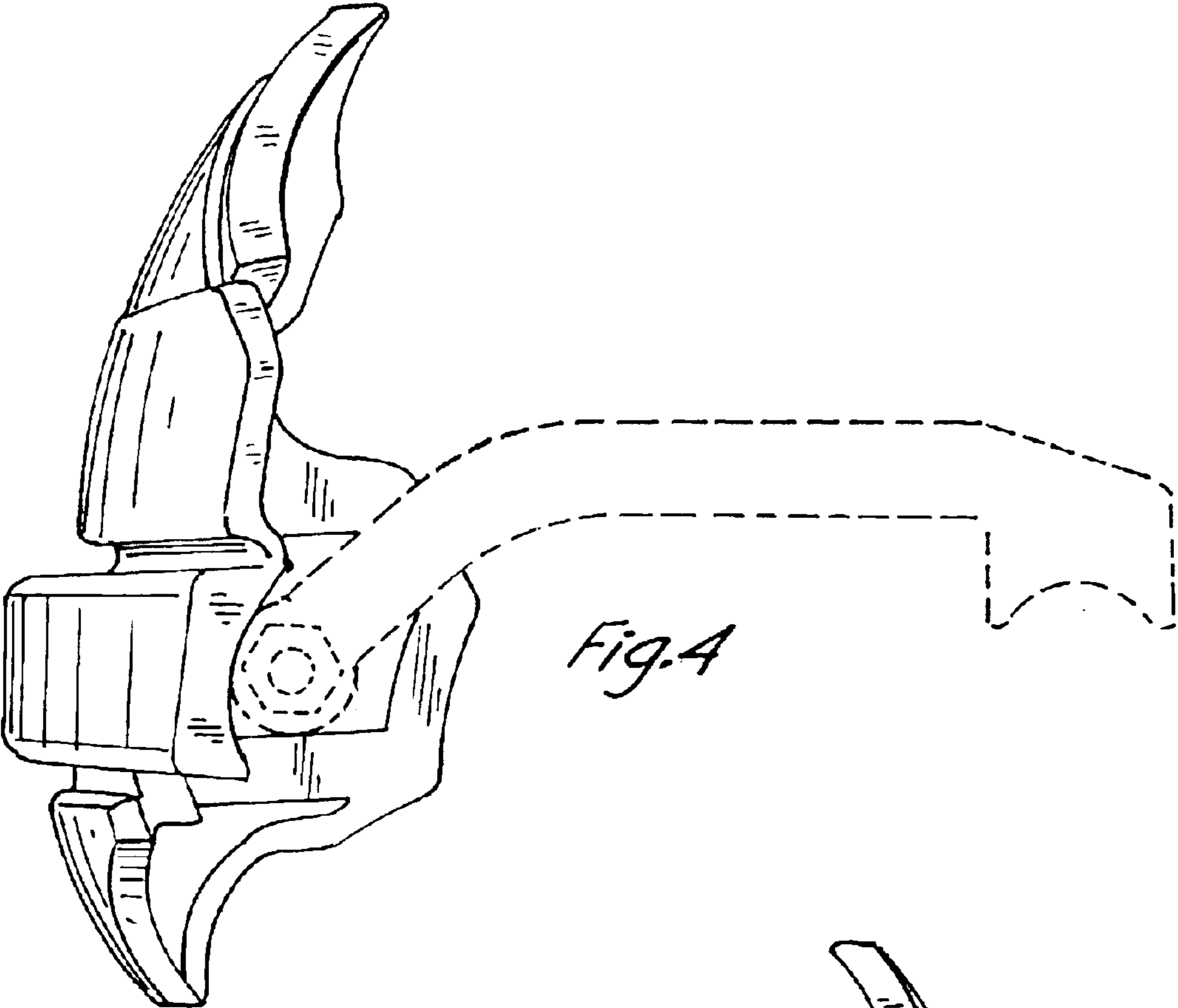


Fig. 3



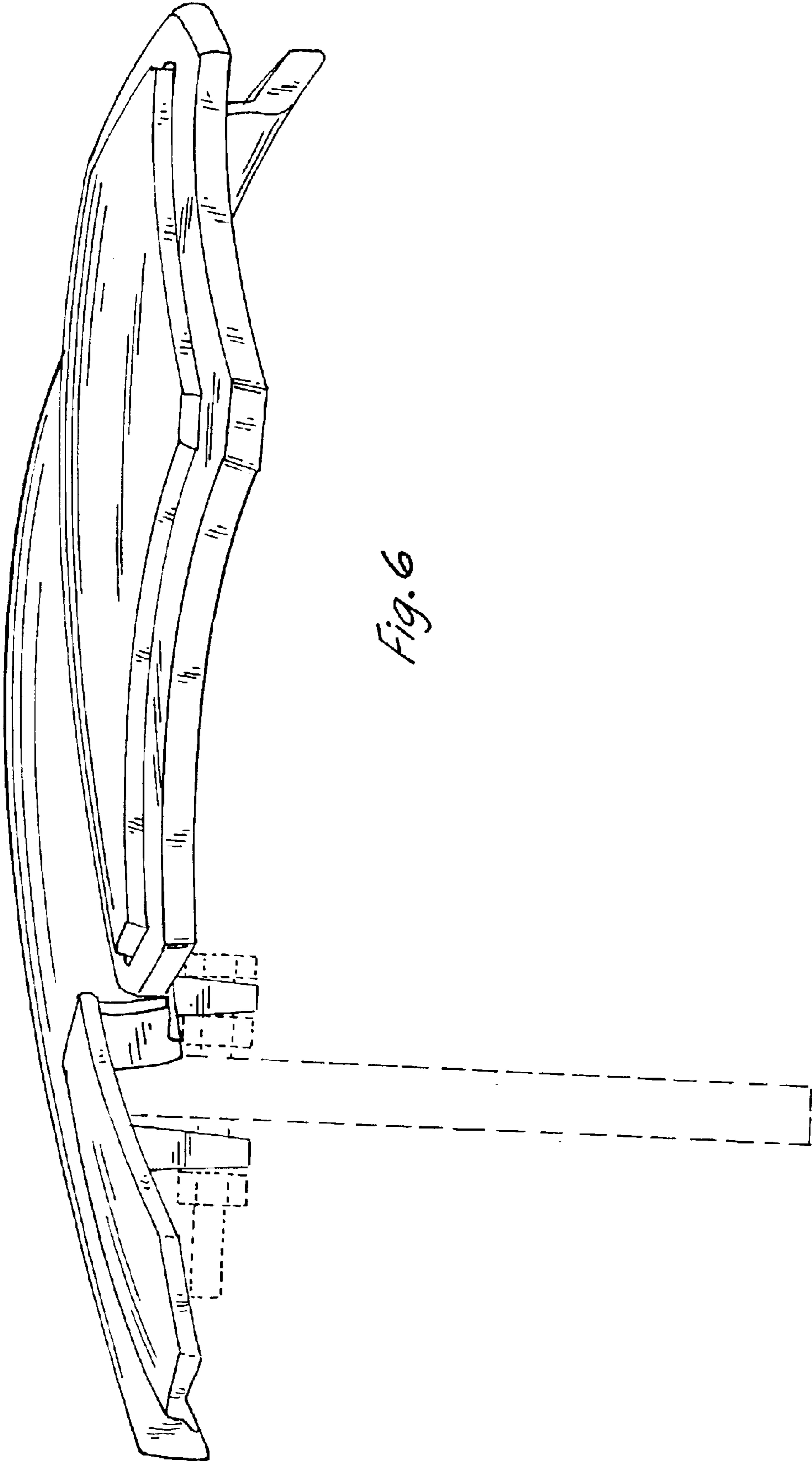


Fig. 6

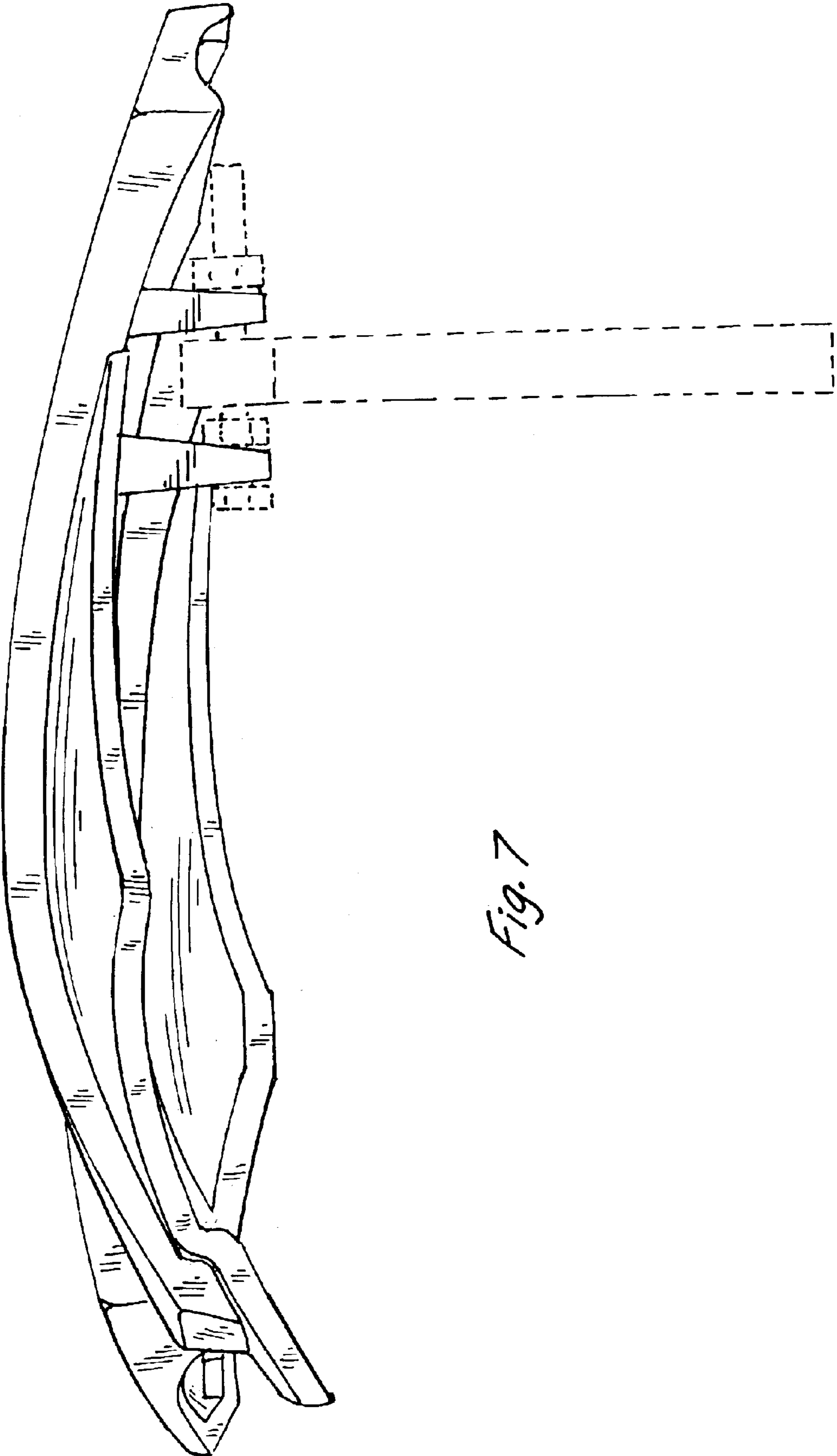


Fig. 7