



US00D492622S1

(12) **United States Design Patent**
Lee

(10) **Patent No.:** **US D492,622 S**
(45) **Date of Patent:** **** Jul. 6, 2004**

(54) **GOLF BIKE**

(76) **Inventor:** **David M. J. Lee**, 2223 S. 2nd Ave.,
Arcadia, CA (US) 91006

(**) **Term:** **14 Years**

(21) **Appl. No.:** **29/175,305**

(22) **Filed:** **Feb. 3, 2003**

(51) **LOC (7) Cl.** **12-11**

(52) **U.S. Cl.** **D12/107**

(58) **Field of Search** D12/107, 109,
D12/111, 16; 280/209, 230, 231, 236-238,
260, 267, 282, DIG. 5; D34/15

(56) **References Cited**

U.S. PATENT DOCUMENTS

4,792,149 A *	12/1988	Harmon	280/231
D337,553 S *	7/1993	Valentine et al.	D12/107
5,788,254 A *	8/1998	Davis	280/282
6,220,657 B1 *	4/2001	Rea	296/220.01

* cited by examiner

Primary Examiner—Alan P. Douglas
Assistant Examiner—Linda Brooks

(74) *Attorney, Agent, or Firm*—Philip K. Yu; East IP Group

(57) **CLAIM**

The ornamental design for a golf bike, as shown and described.

DESCRIPTION

FIG. 1 is a front perspective view of the preferred embodiment of the golf bike showing my new design;

FIG. 2 is a rear perspective view of the preferred embodiment of the golf bike showing my new design;

FIG. 3 is a driver's side view of the preferred embodiment of the golf bike;

FIG. 4 is a passenger's side view of the preferred embodiment of the golf bike; and,

FIG. 5 is a top view of the preferred embodiment of the golf bike.

The features shown in broken lines form no part of the claimed design.

1 Claim, 5 Drawing Sheets

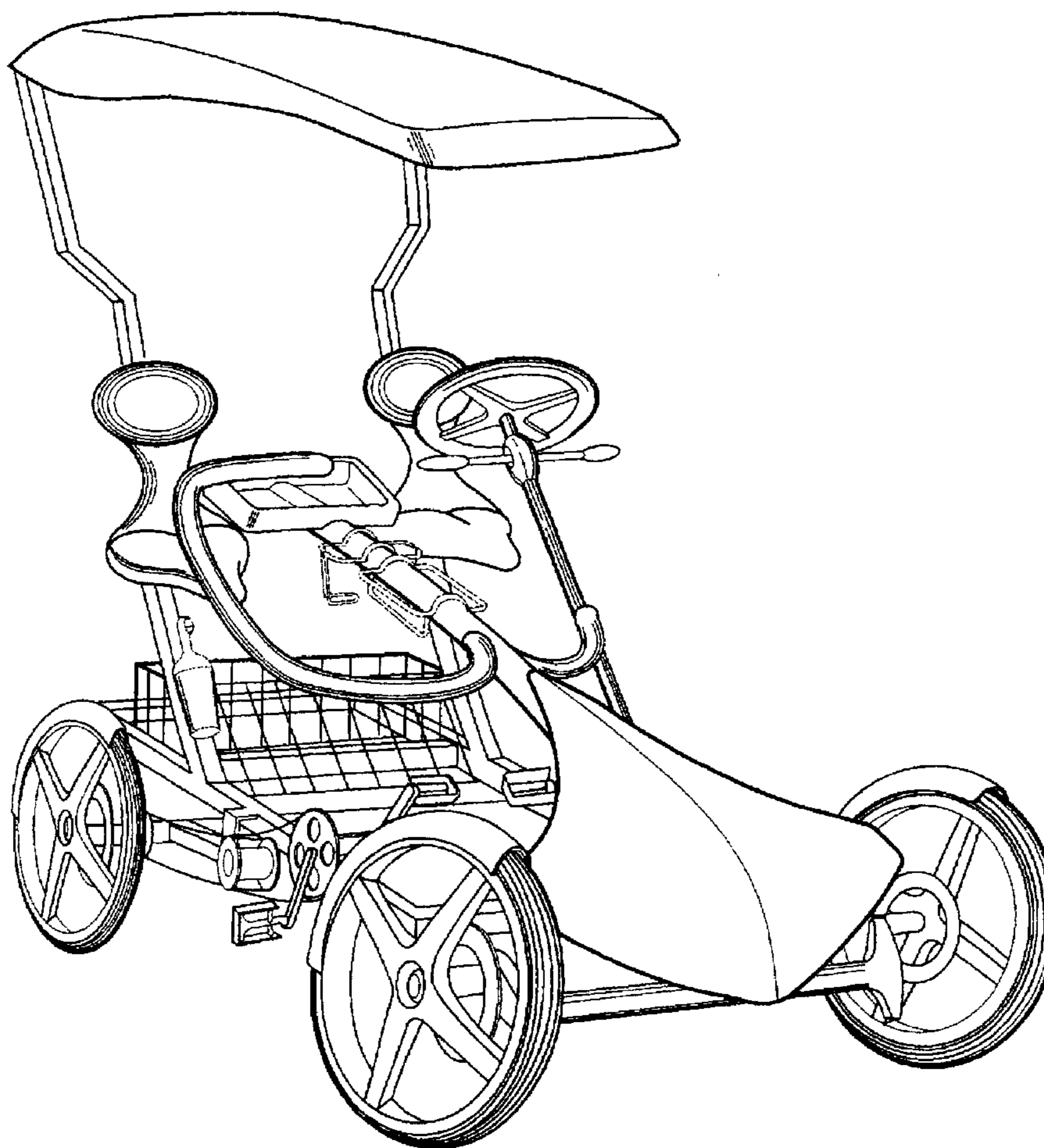


Figure 1

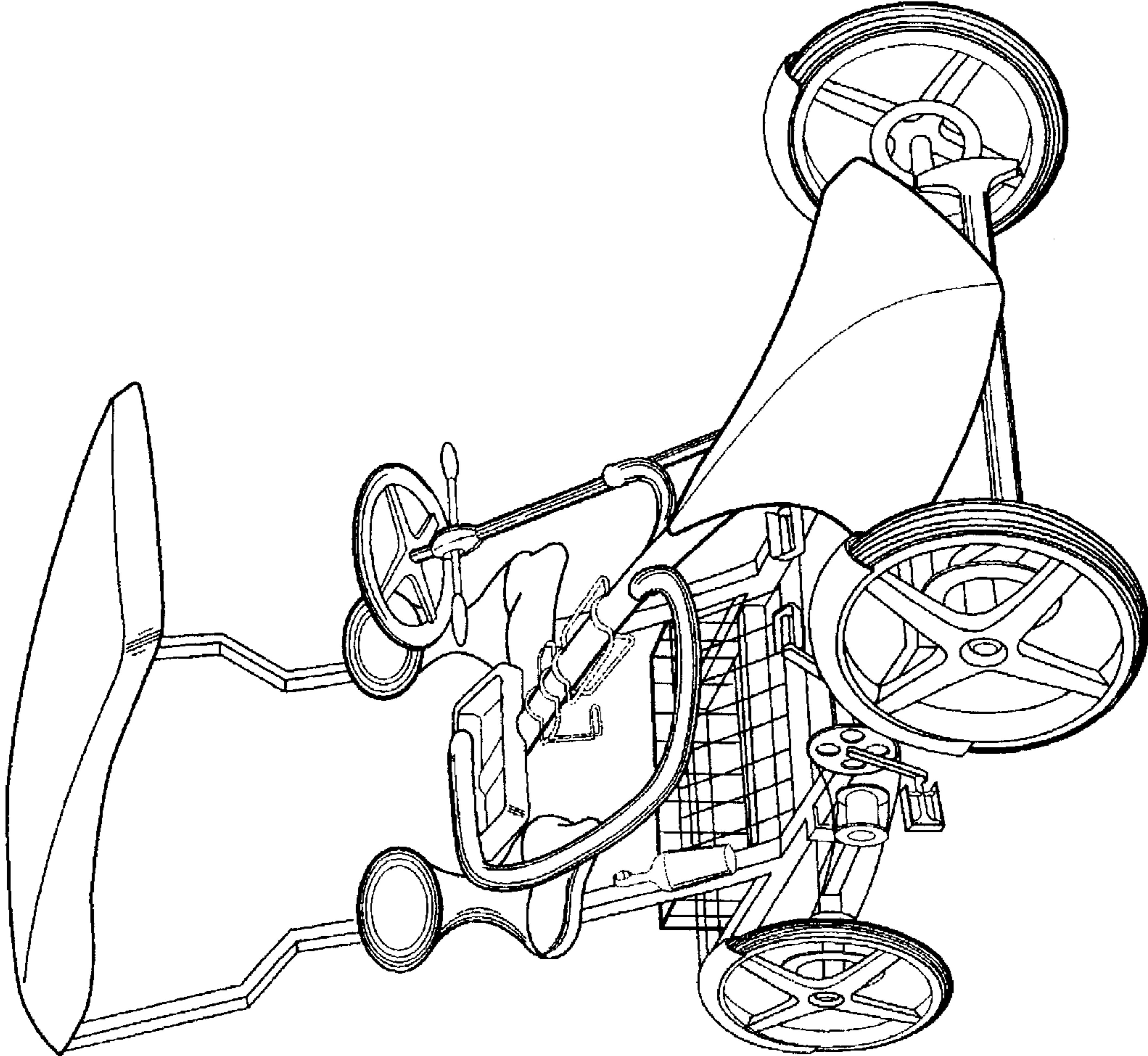


Figure 2

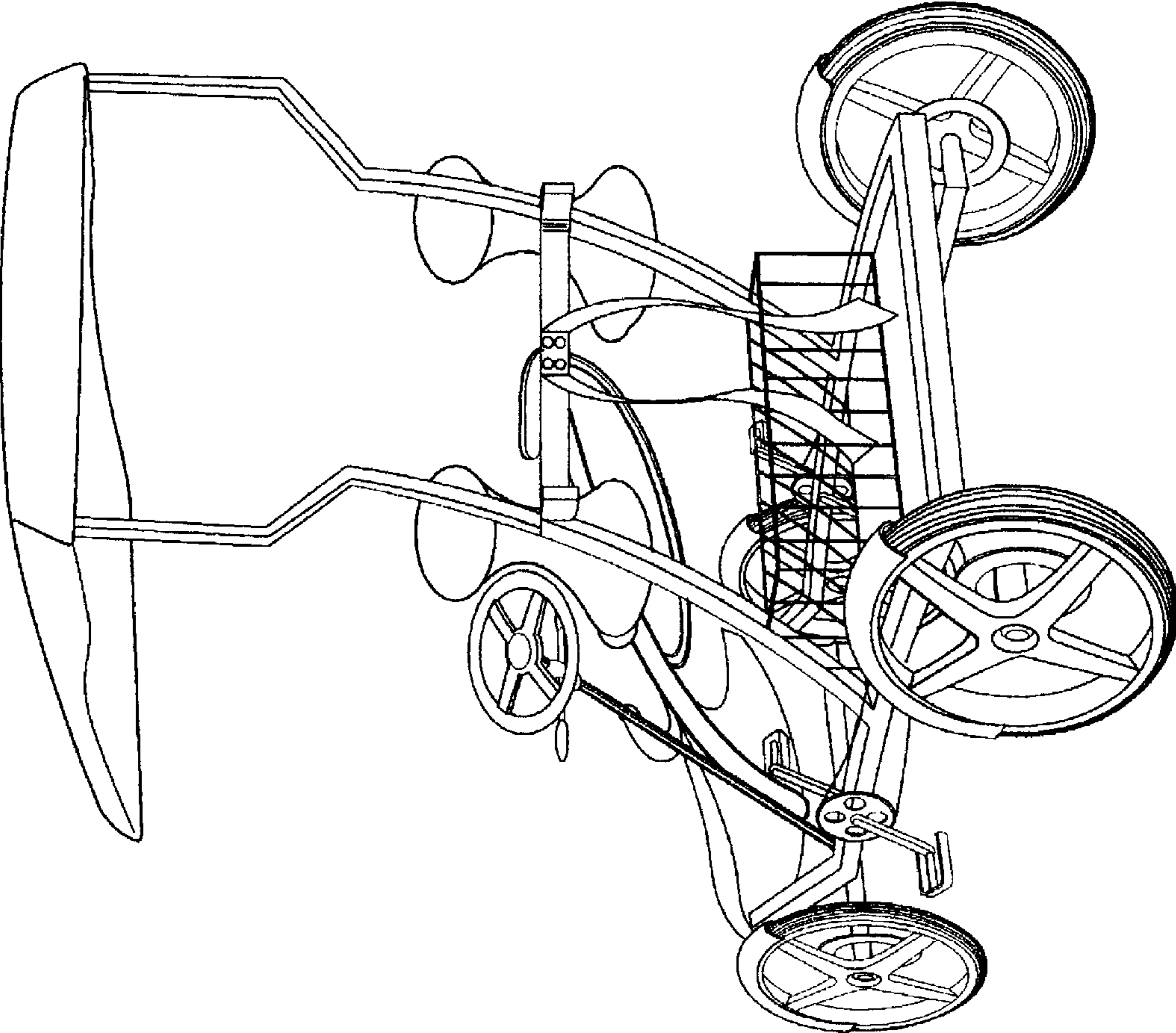


Figure 3

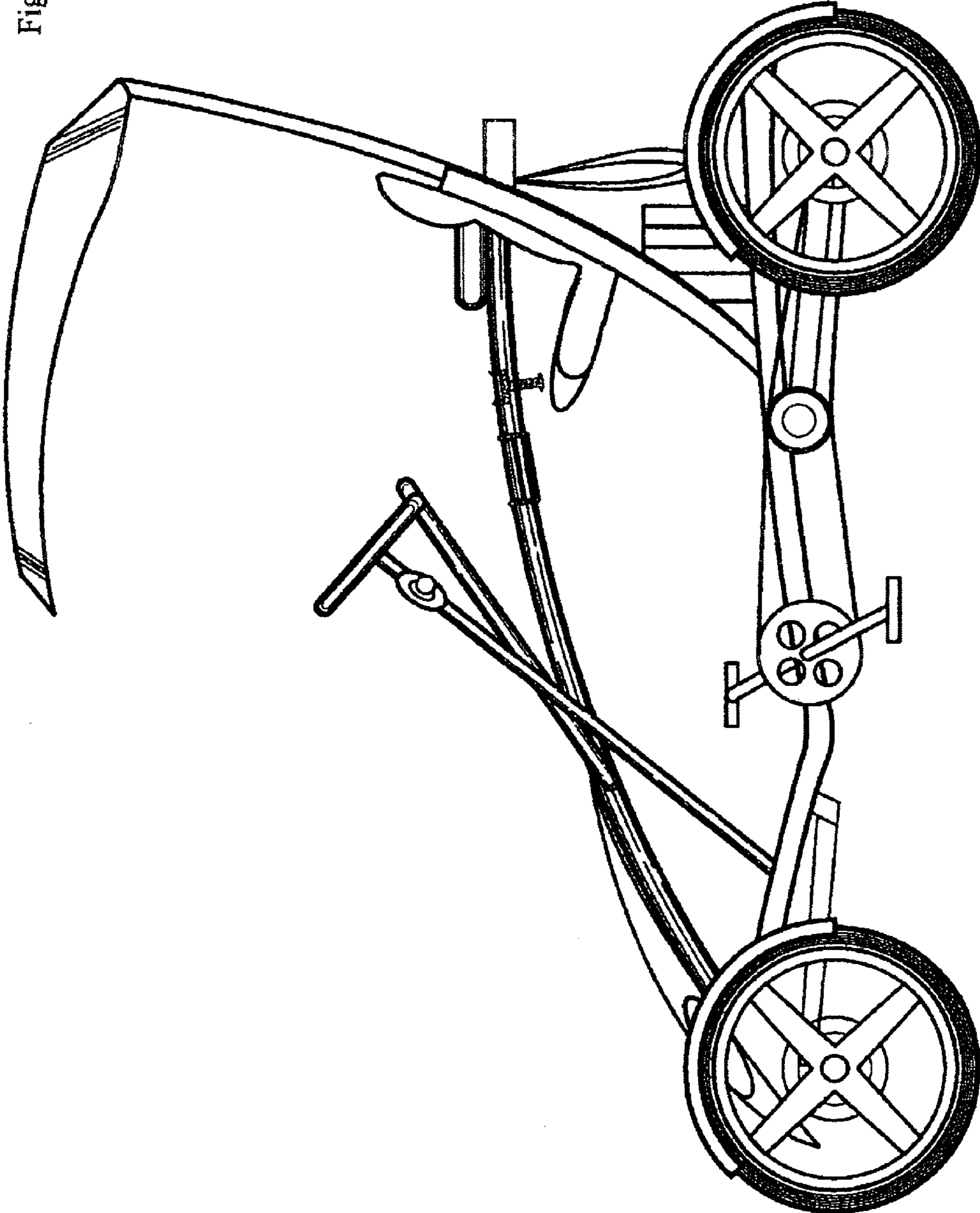


Figure 4

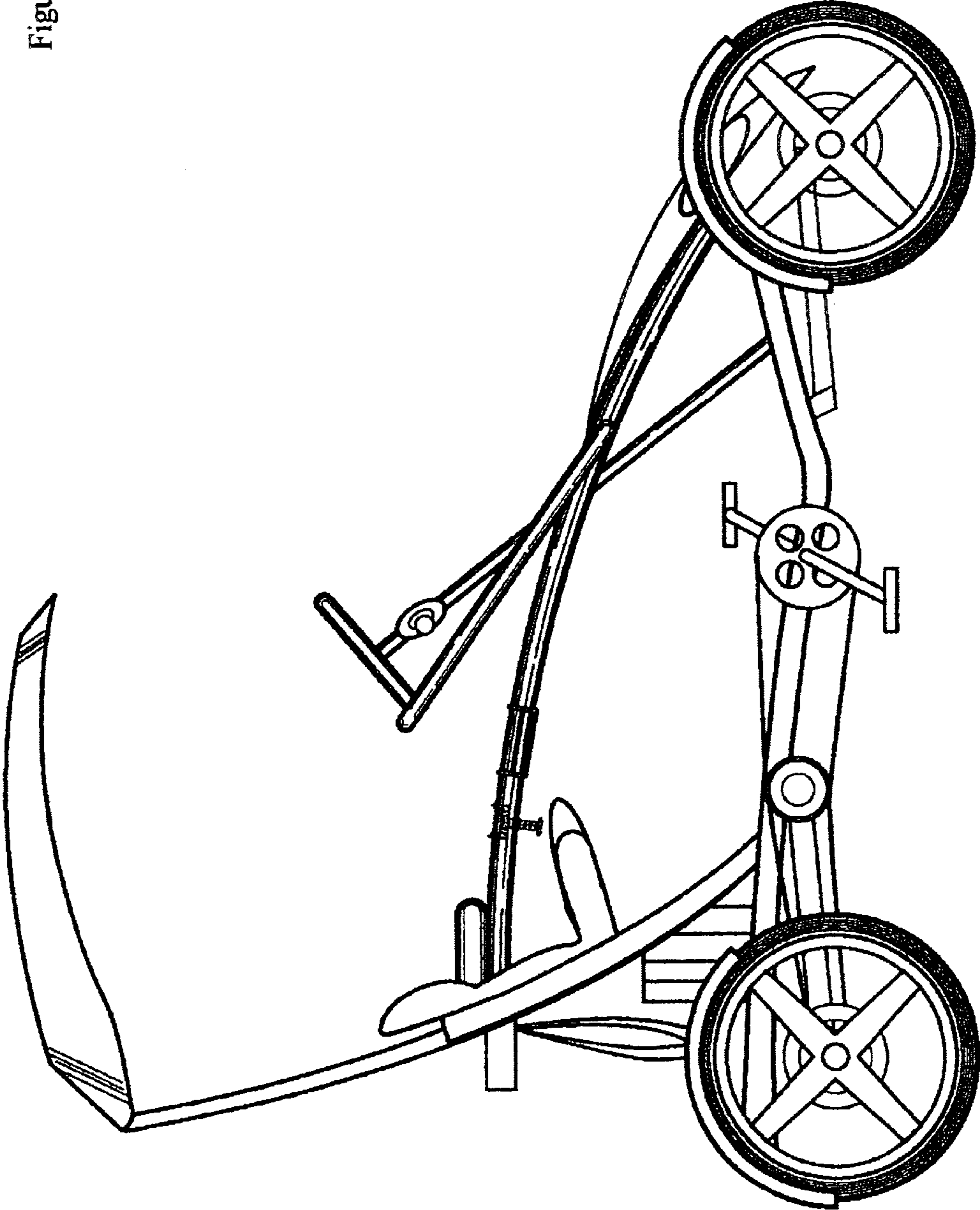


Figure 5

