

US00D492615S1

(12) **United States Design Patent**
Sonntag

(10) **Patent No.:** **US D492,615 S**
(45) **Date of Patent:** **** Jul. 6, 2004**

(54) **CHRISTMAS TREE TOP ORNAMENT**

D449,559 S 10/2001 Fink D11/128
D462,292 S * 9/2002 Hanlon et al. D11/124
6,539,655 B1 * 4/2003 Earle 428/7
D476,260 S * 6/2003 Ross D11/124

(76) Inventor: **Eric Sonntag**, 93 John Busch Ave.,
Somerset, NJ (US) 08873

(**) Term: **14 Years**

* cited by examiner

(21) Appl. No.: **29/180,721**

Primary Examiner—Dominic Simone

(22) Filed: **Apr. 28, 2003**

(74) *Attorney, Agent, or Firm*—Goldstein Law Offices, P.C.

(51) **LOC (7) Cl.** **11-05**

(57) **CLAIM**

(52) **U.S. Cl.** **D11/124; D11/128; D11/160**

The ornamental design for a Christmas tree top ornament,
as shown and described.

(58) **Field of Search** D11/121, 124,
D11/128, 160; 428/3, 7

DESCRIPTION

(56) **References Cited**

FIG. 1 is a perspective view of a Christmas tree top ornament in full lines with a Christmas tree shown in broken lines representing environmental association matter being for illustrative purposes only and forming no part of the claimed invention.

U.S. PATENT DOCUMENTS

- 2,312,286 A * 2/1943 Joseph 428/7
- D135,470 S * 4/1943 Hoffmann D11/124
- D161,023 S * 11/1950 Herman D11/128
- D165,363 S * 12/1951 Burnbaum D11/124
- 2,659,993 A * 11/1953 Raymond 428/7
- 2,724,926 A * 11/1955 Bernard 428/3
- D186,443 S * 10/1959 Burnbaum D11/124
- D194,359 S * 1/1963 CARLSON et al. D11/124
- D228,556 S 10/1973 Medallion D29/11 C
- D262,783 S * 1/1982 Burnbaum D11/124
- D312,058 S 11/1990 Vermillion D11/128
- D368,438 S 4/1996 Hsiao Chan D11/121

FIG. 2 is a front elevational view of the Christmas tree top ornament.

FIG. 3 is a rear elevational view thereof.

FIG. 4 is a right side elevational view thereof.

FIG. 5 is a left side elevational view thereof.

FIG. 6 is a top plan view thereof; and,

FIG. 7 is a bottom plan view thereof.

1 Claim, 4 Drawing Sheets



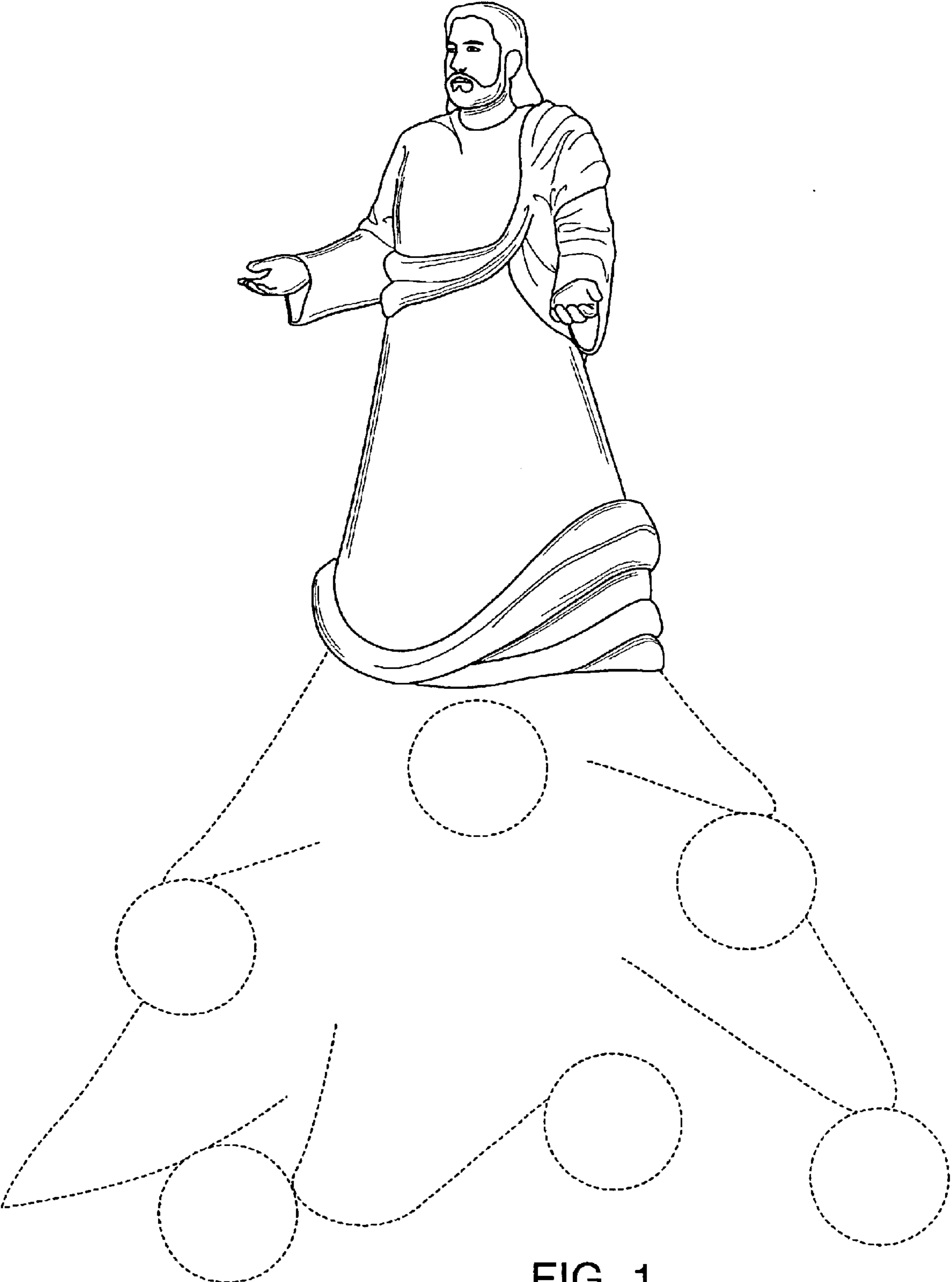


FIG. 1



FIG. 2



FIG. 3

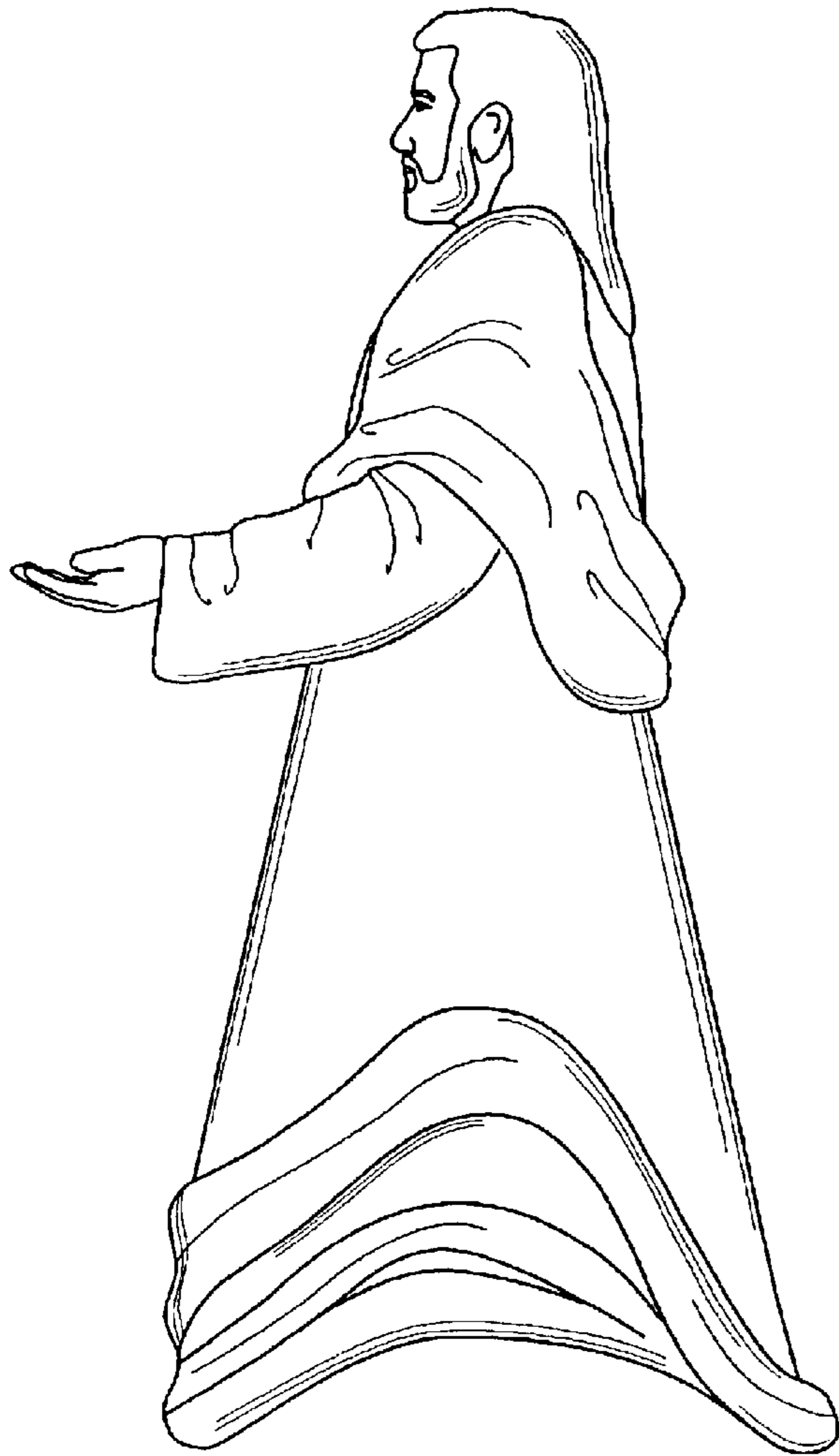


FIG. 4



FIG. 5

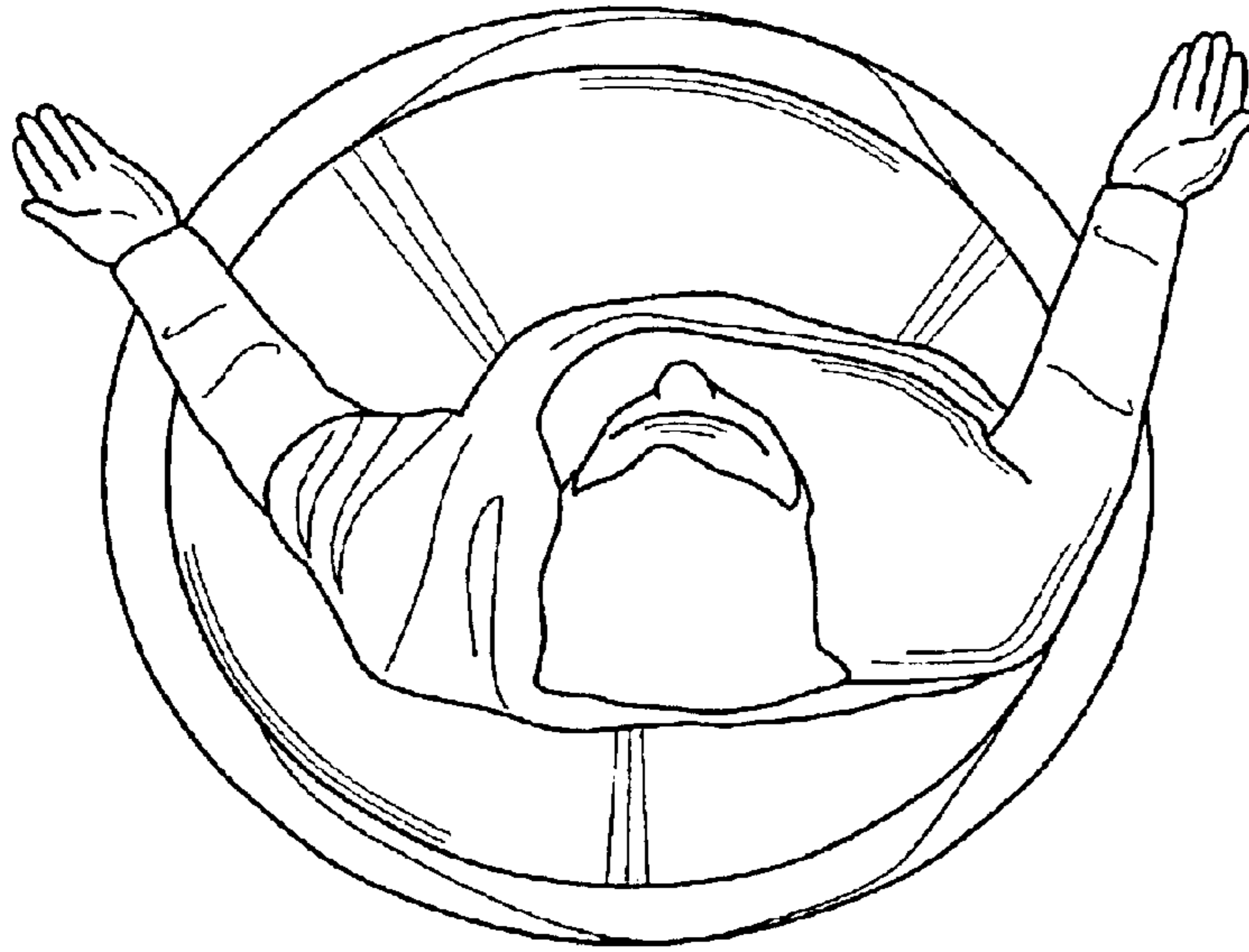


FIG. 6

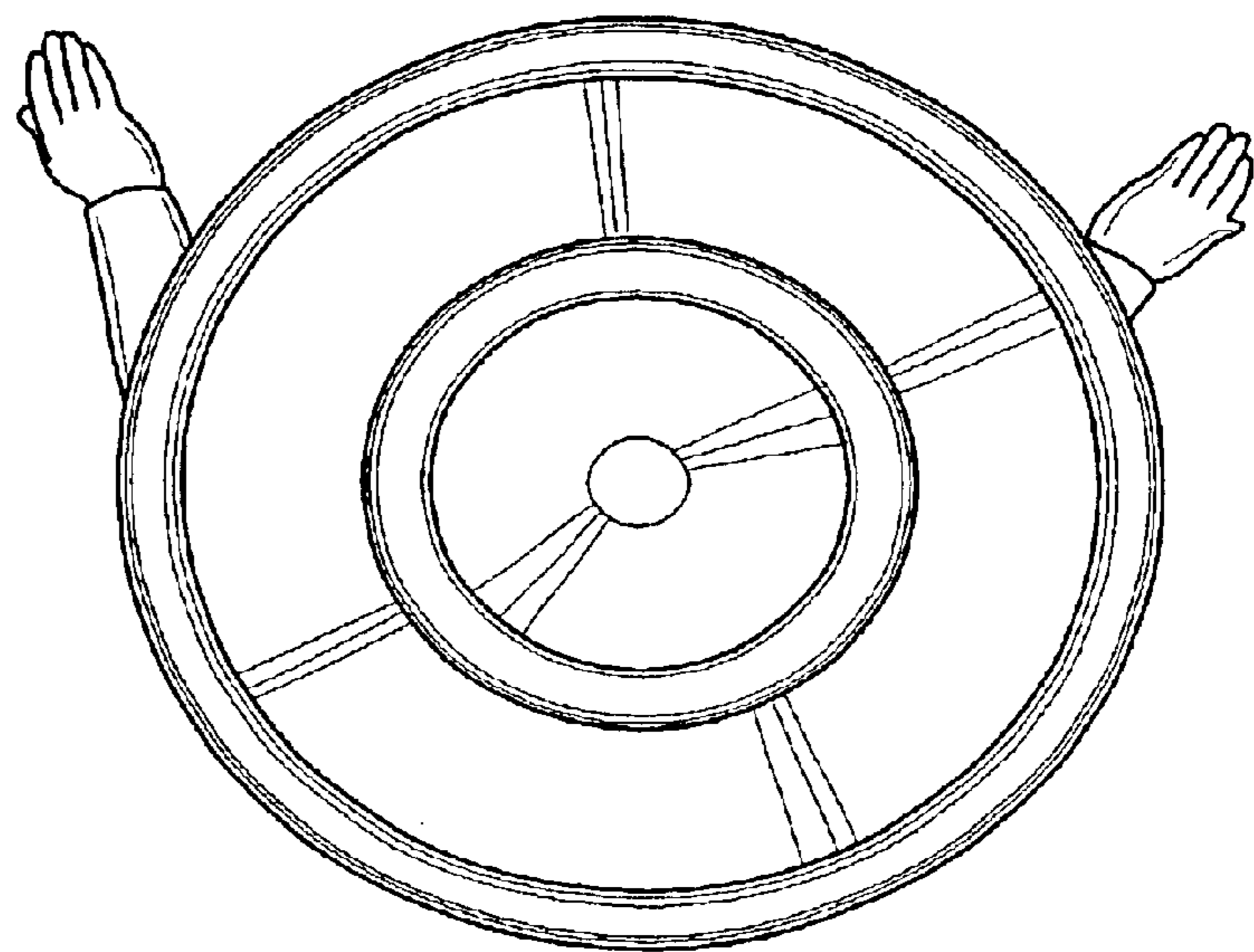


FIG. 7