

US00D492612S1

(12) **United States Design Patent** (10) **Patent No.:** **US D492,612 S**
Huang (45) **Date of Patent:** **** Jul. 6, 2004**

(54) **BASE FOR A WARNING LIGHT**

(76) Inventor: **Chun-Ming Huang**, 10F-1, No. 3,
Paoshan 3rd St., Taichung (TW)

(**) Term: **14 Years**

(21) Appl. No.: **29/185,738**

(22) Filed: **Jul. 3, 2003**

(51) **LOC (7) Cl.** **10-05**

(52) **U.S. Cl.** **D10/114**

(58) **Field of Search** D10/109, 111,
D10/114; 362/310-311, 61, 80, 82-83,
226; 439/571; D26/85, 88, 138, 142

(56) **References Cited**

U.S. PATENT DOCUMENTS

D158,742 S	*	5/1950	Gosswiller	D10/114
2,996,607 A	*	8/1961	Witt	362/35
D227,173 S	*	6/1973	Carter	D10/109
D242,942 S	*	1/1977	Brudy et al.	D10/114
D261,048 S	*	9/1981	Price	D26/24
D267,156 S	*	12/1982	Phelps	D10/114
4,745,530 A	*	5/1988	Farrell, Jr. et al.	362/226
D349,256 S	*	8/1994	Bellinger et al.	D10/114
D360,845 S	*	8/1995	Smith et al.	D10/114
D486,411 S	*	2/2004	Brown	D10/114

* cited by examiner

Primary Examiner—Nelson C. Holtje

(74) *Attorney, Agent, or Firm*—Bacon & Thomas PLLC

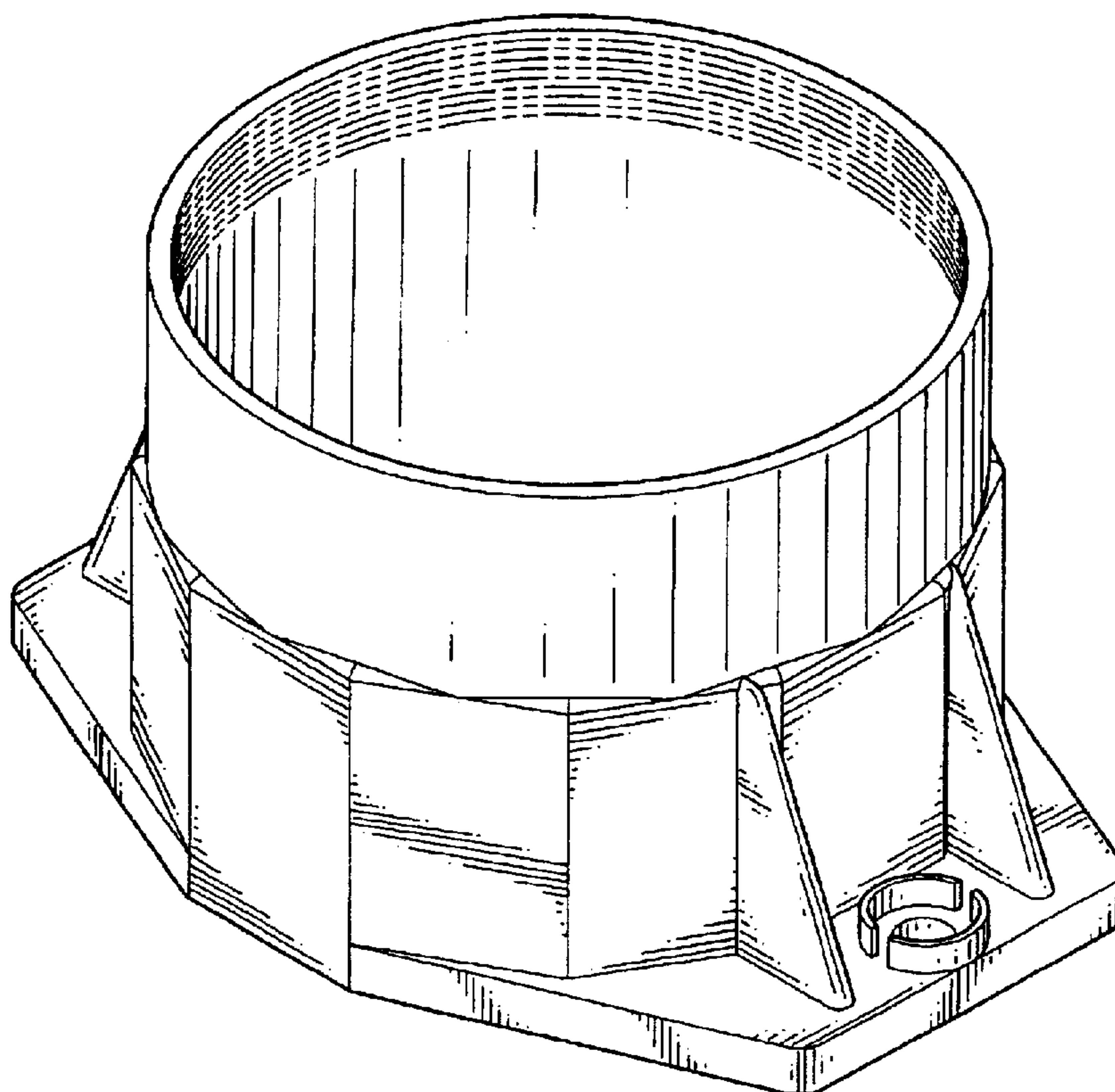
(57) **CLAIM**

The ornamental design for a base for a warning light, as shown and described.

DESCRIPTION

FIG. 1 is a perspective view of a base for a warning light, showing my new design;
 FIG. 2 is a front elevational view thereof;
 FIG. 3 is a rear elevational view thereof;
 FIG. 4 is a left side elevational view thereof;
 FIG. 5 is a right side elevational view thereof;
 FIG. 6 is a top plan view thereof;
 FIG. 7 is a bottom plan view thereof;
 FIG. 8 is another perspective view of FIG. 1;
 FIG. 9 is another perspective view of FIG. 1;
 FIG. 10 is a perspective view of a second embodiment of my new design of FIG. 1; and,
 FIG. 11 is another perspective view of FIG. 10.
 The broken-line showings dome lenses in FIGS. 8-9 and 11 are for illustrative purposes only, and form no part of the claimed design.

1 Claim, 8 Drawing Sheets



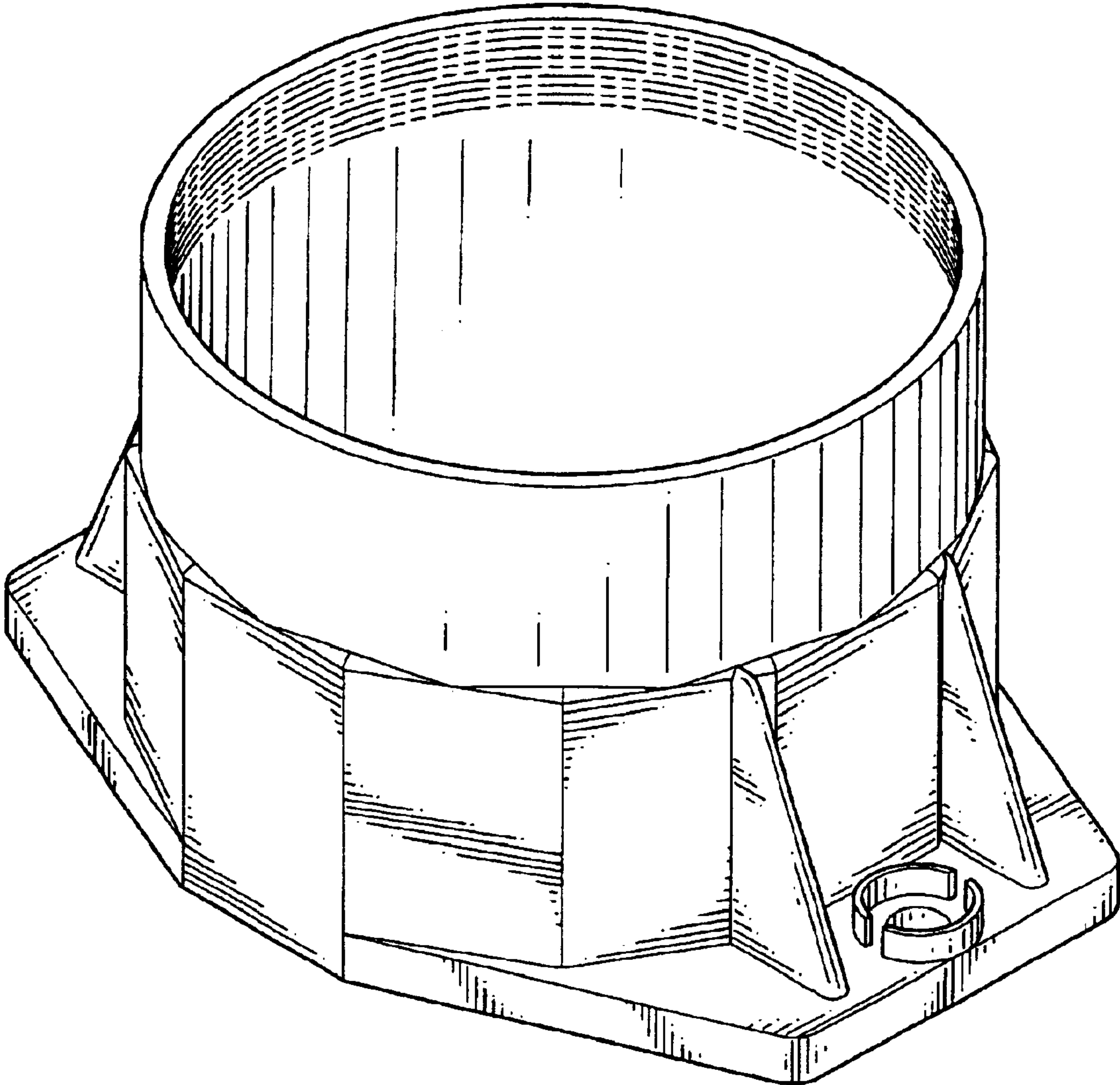


FIG.1

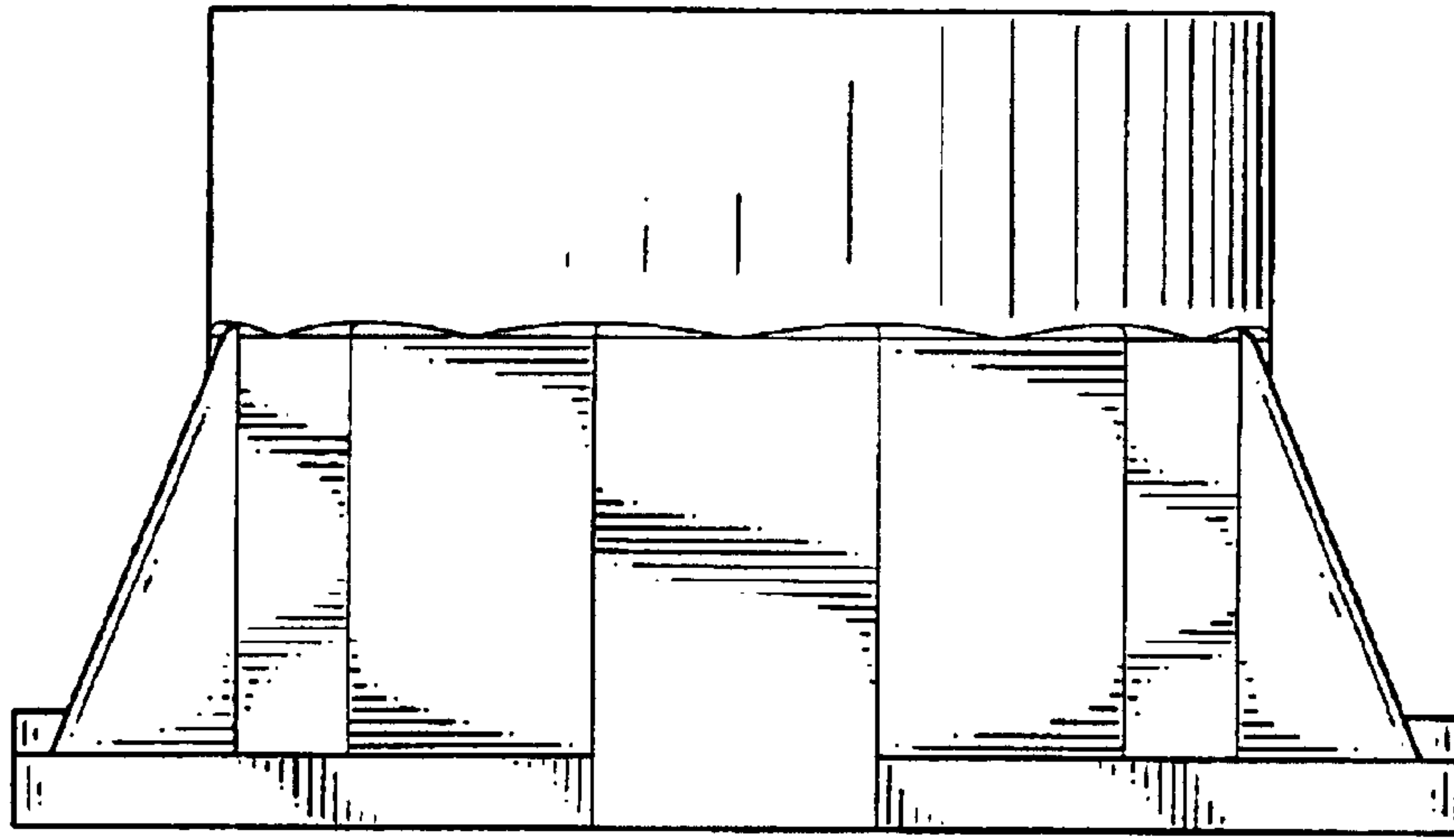


FIG. 2

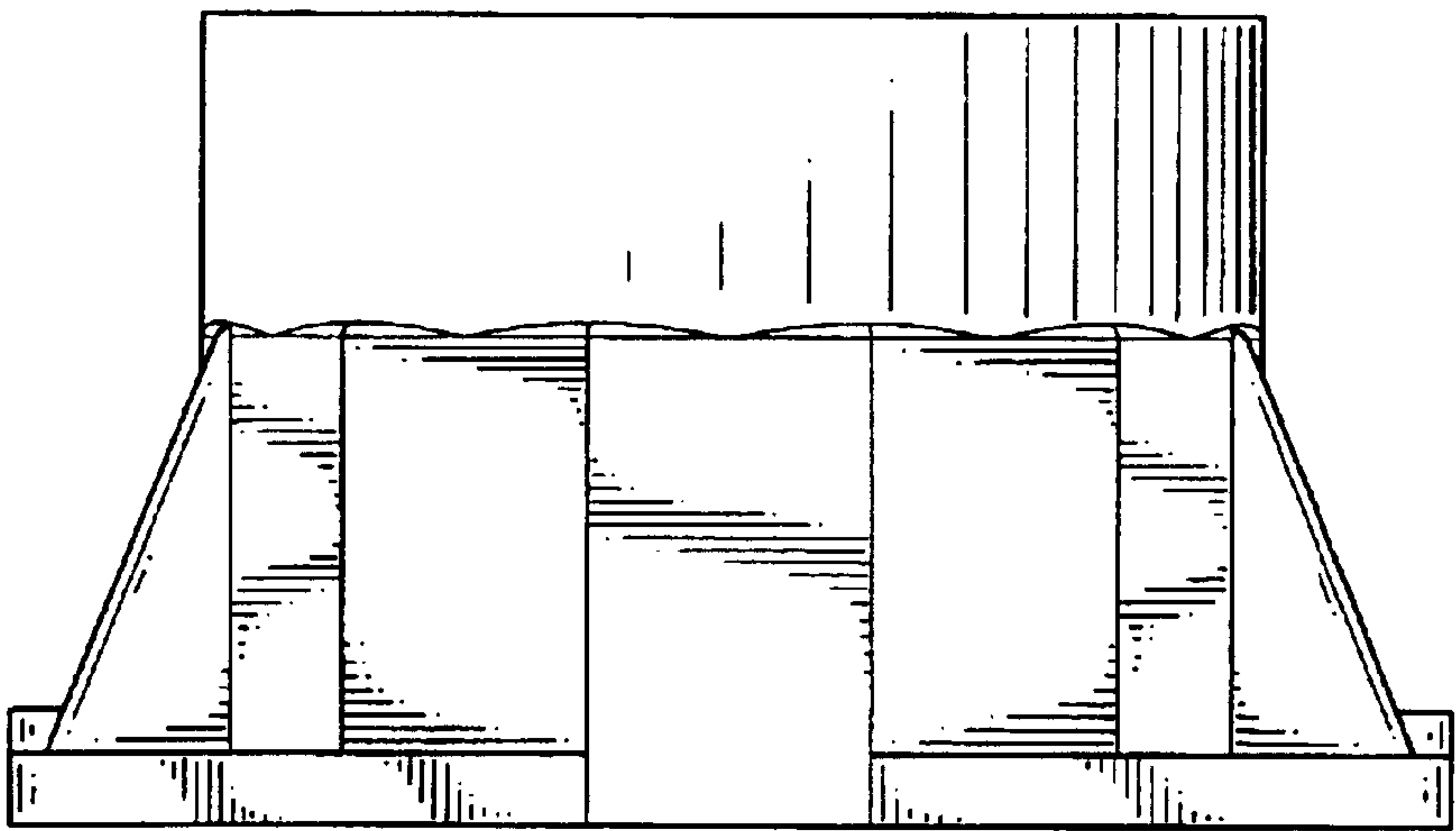


FIG. 3

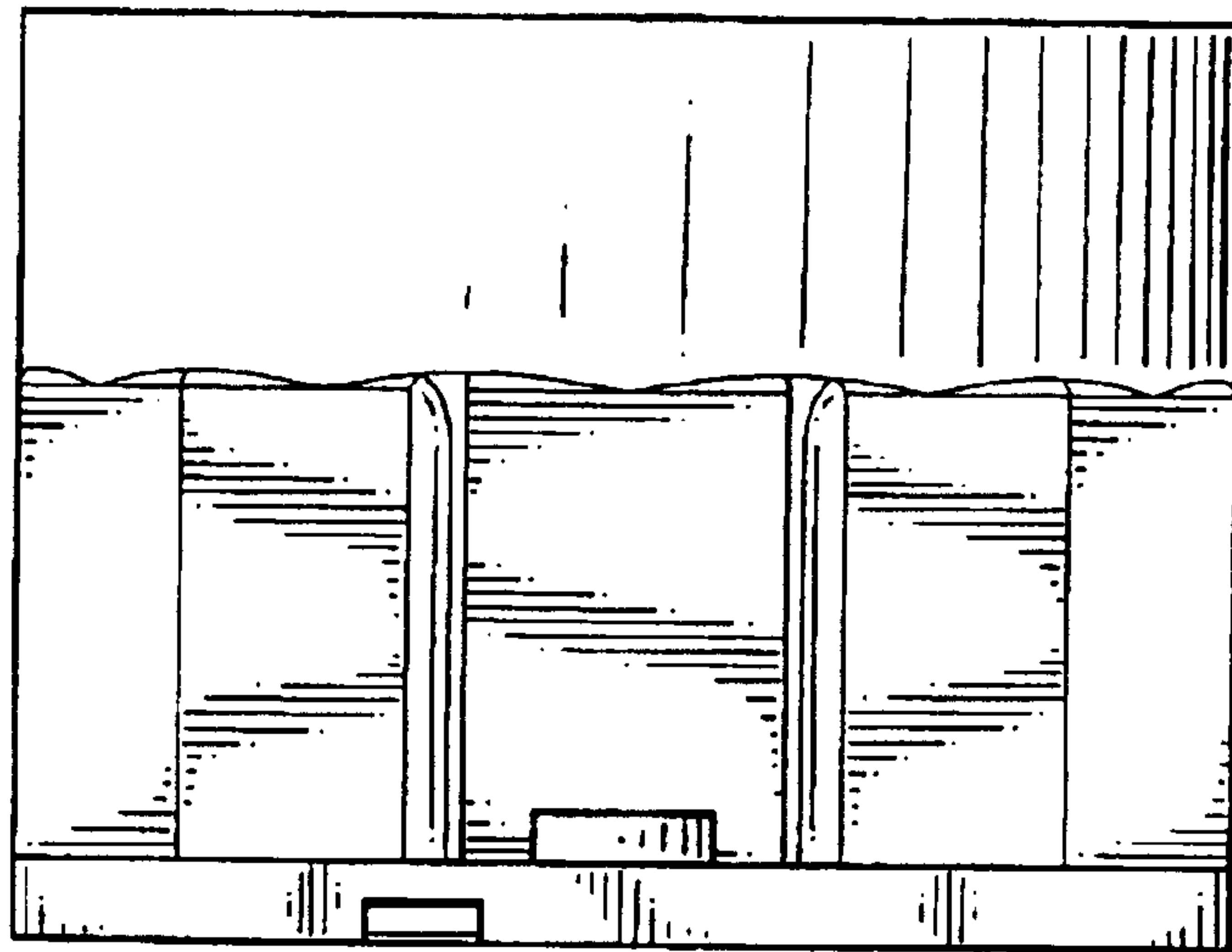


FIG. 4

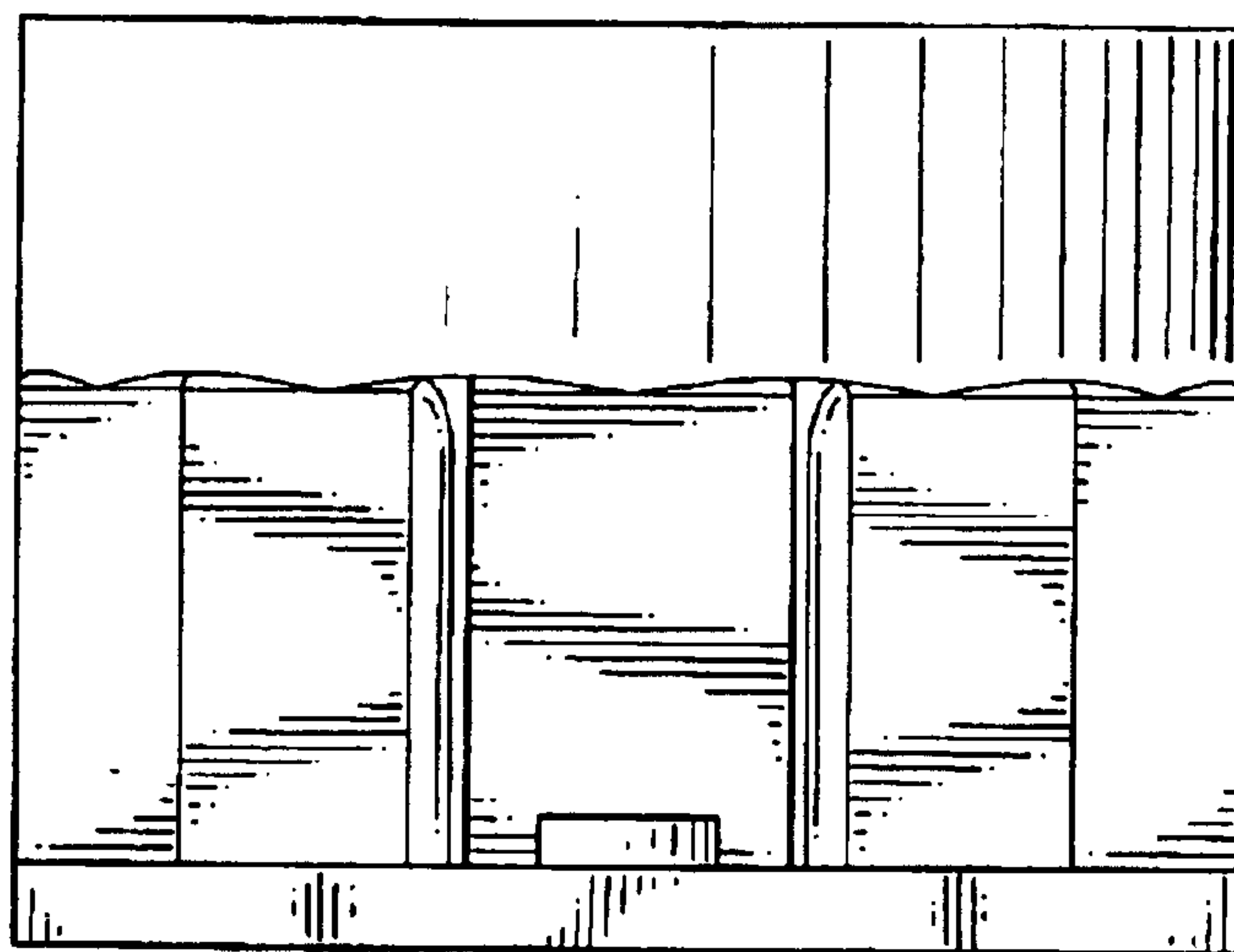


FIG. 5

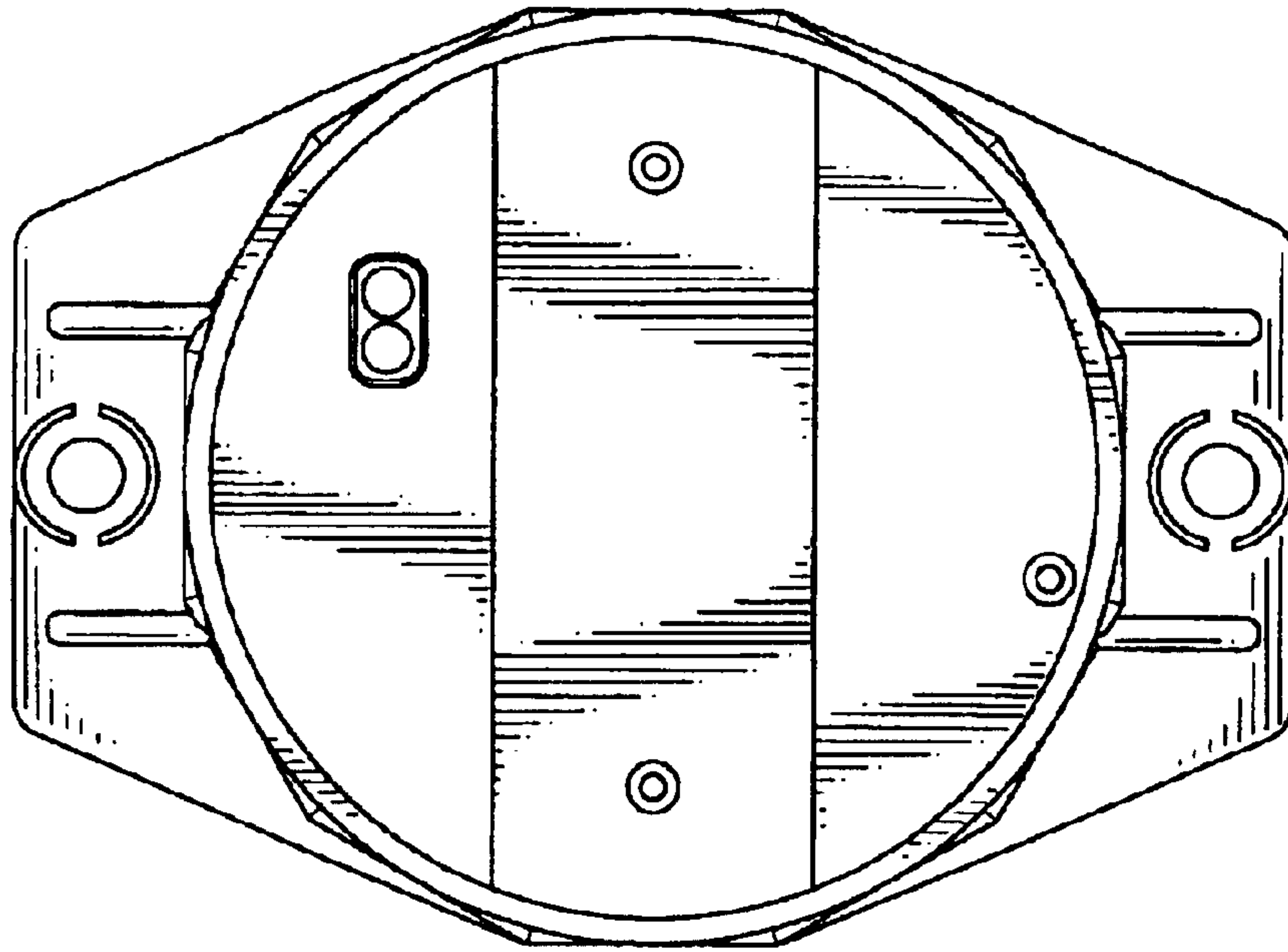


FIG.6

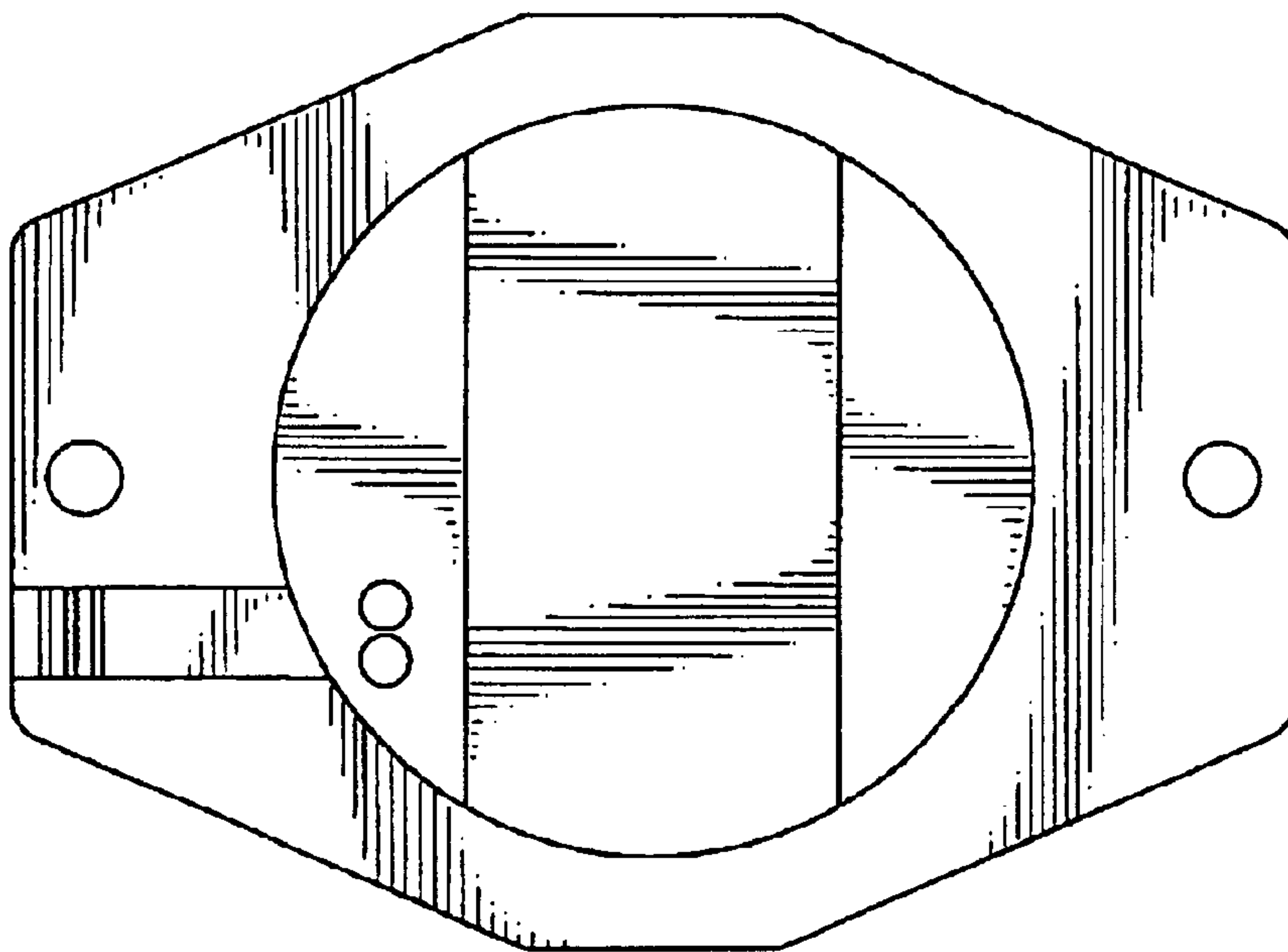


FIG.7

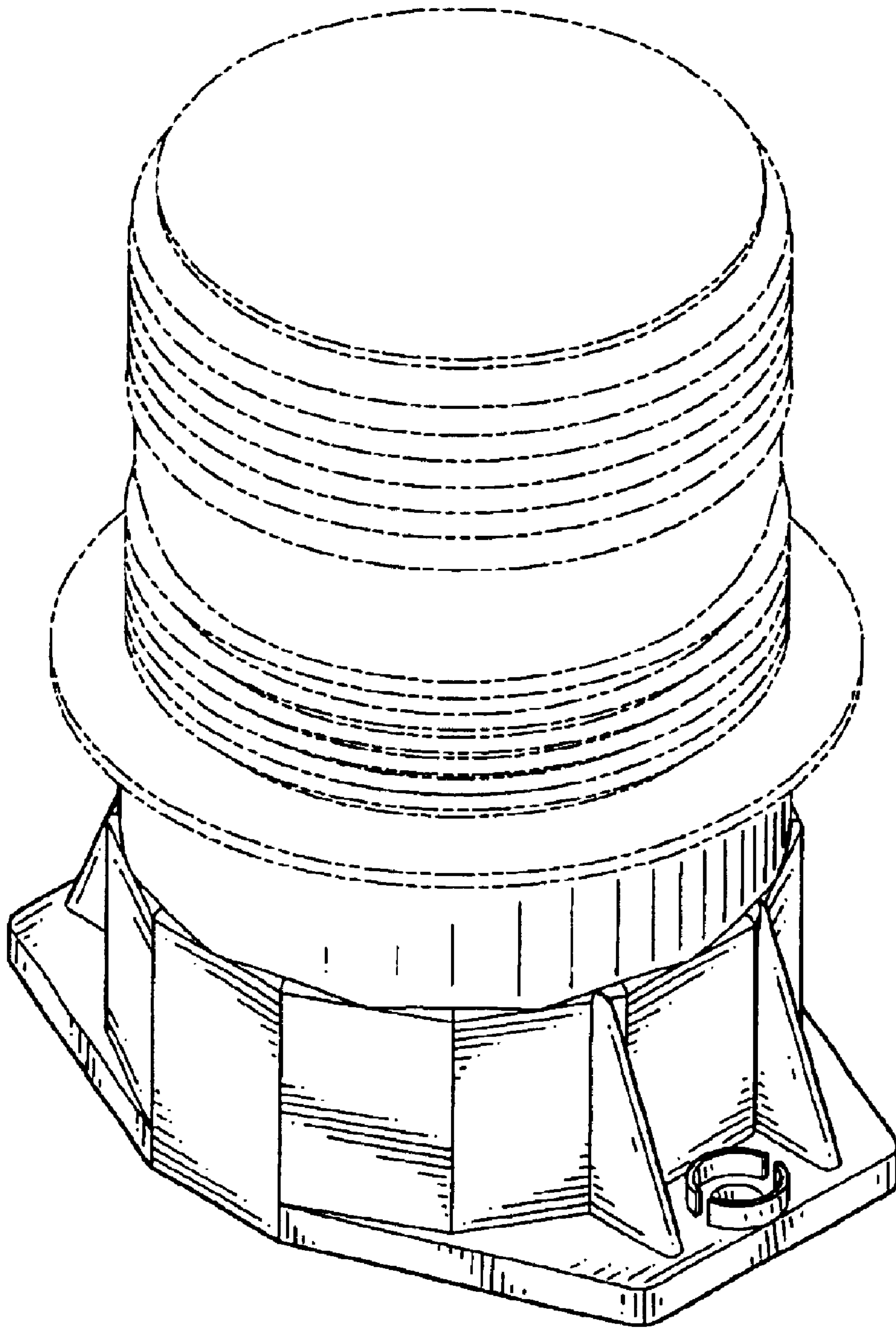


FIG. 8

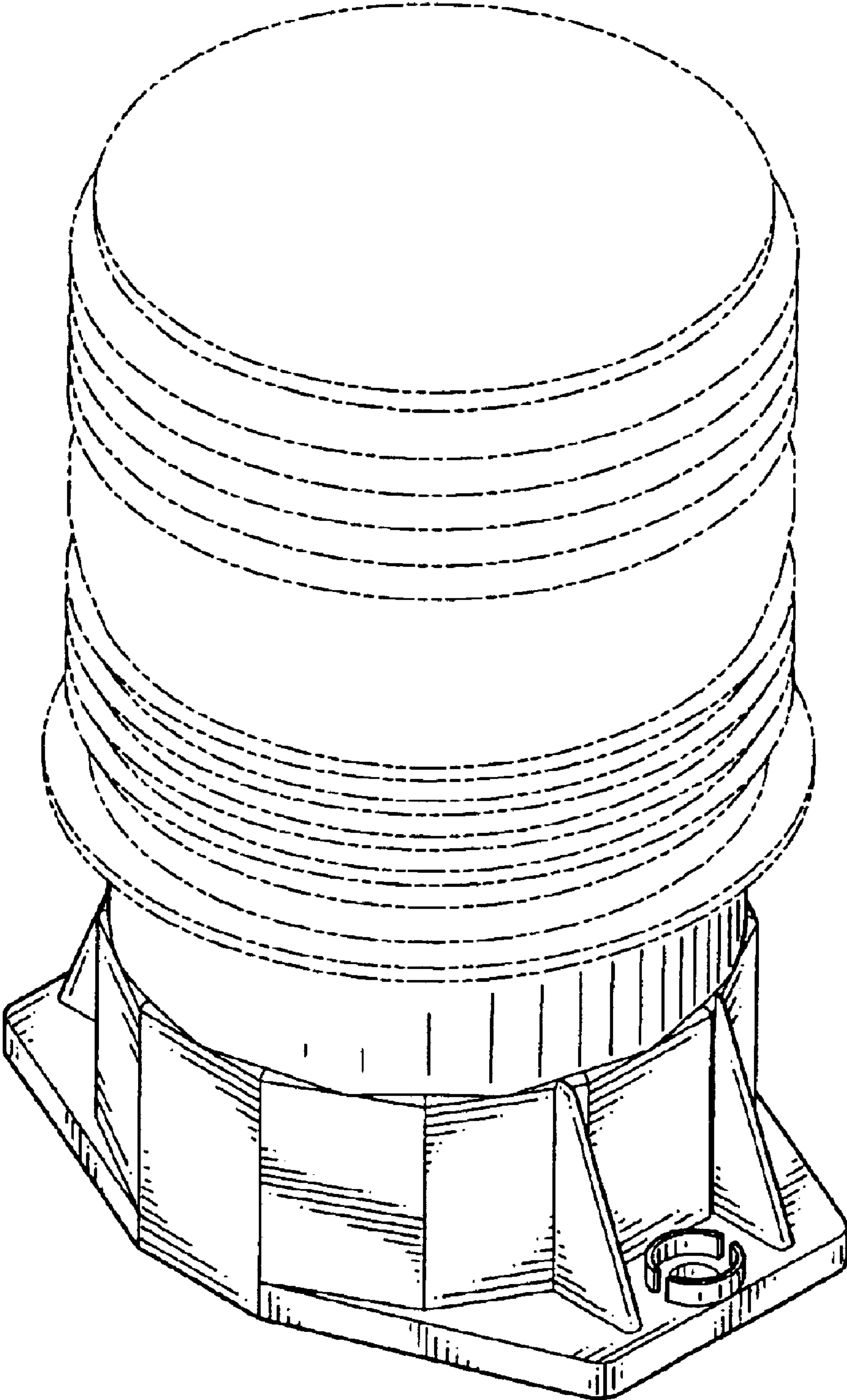


FIG.9

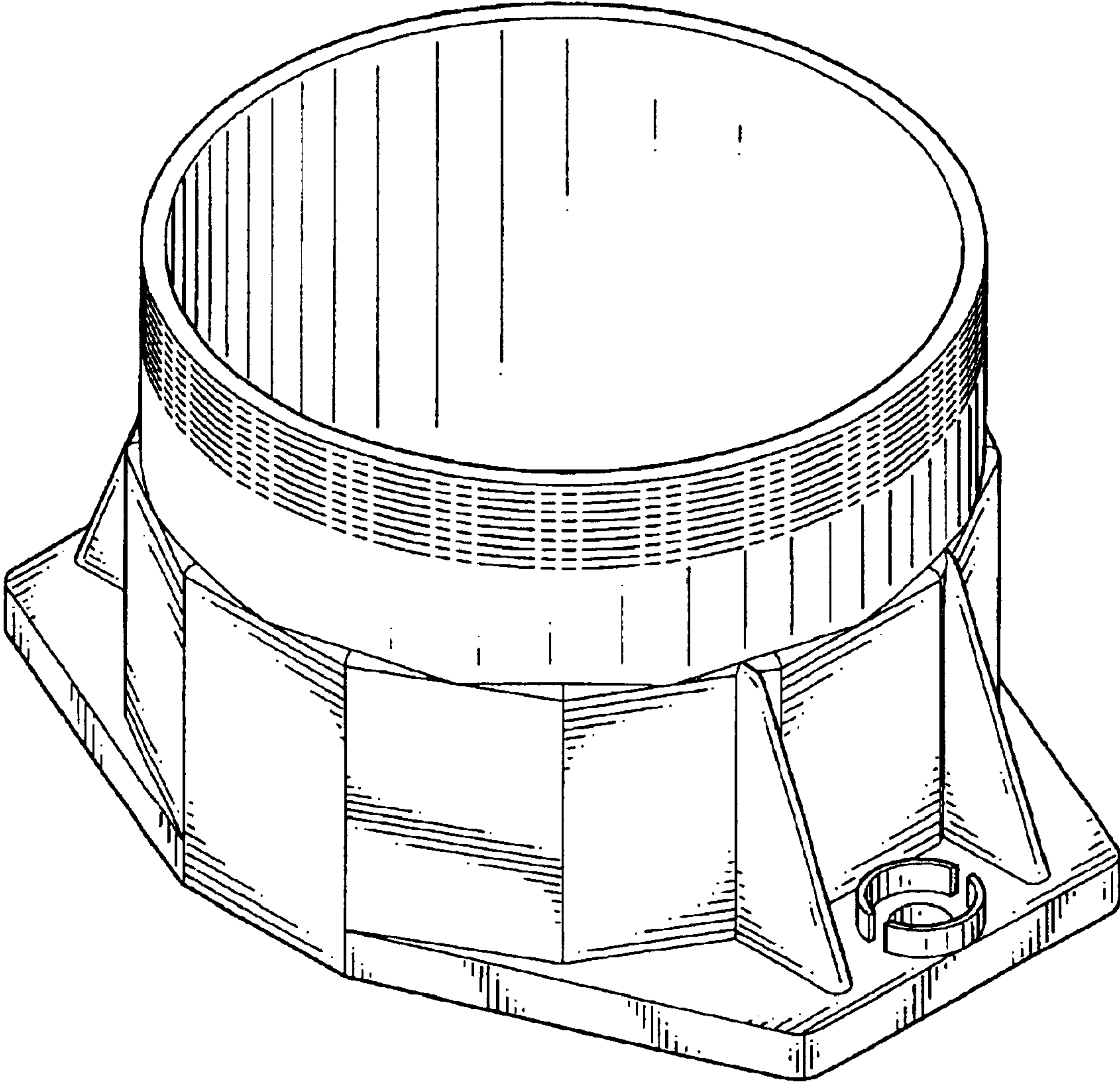


FIG.10

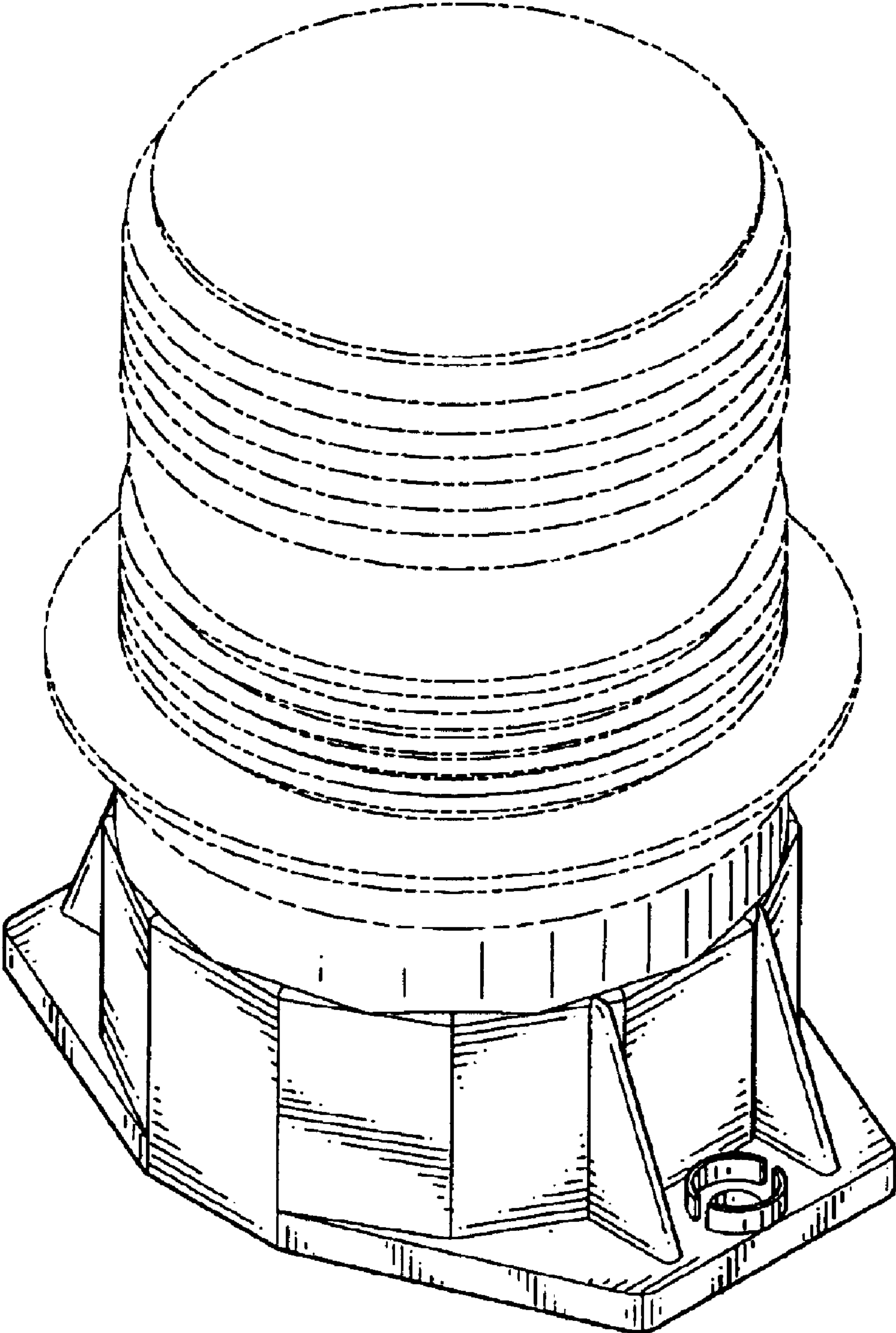


FIG.11