

US00D492610S1

(12) **United States Design Patent** (10) **Patent No.:** **US D492,610 S**  
**Takahashi et al.** (45) **Date of Patent:** **\*\* Jul. 6, 2004**

(54) **COMBINED BODY FAT SCALE AND WEIGHT SCALE**

(75) Inventors: **Kazuya Takahashi**, Osaka (JP);  
**Muneyuki Nagai**, Ibaraki (JP)

(73) Assignee: **Matsushita Electric Industrial Co., Ltd.**, Osaka (JP)

(\*\*) Term: **14 Years**

(21) Appl. No.: **29/181,993**

(22) Filed: **May 19, 2003**

(30) **Foreign Application Priority Data**

Feb. 18, 2003 (JP) ..... 2003-003744

(51) **LOC (7) Cl.** ..... **10-04**

(52) **U.S. Cl.** ..... **D10/92; D10/88**

(58) **Field of Search** ..... D10/92, 88; 177/238-245,  
177/25.13, 211, 177; 600/547

(56) **References Cited**

**U.S. PATENT DOCUMENTS**

- D280,805 S \* 10/1985 Muller et al. .... D10/92
- D304,428 S \* 11/1989 Kemnitz ..... D10/92
- 4,898,254 A \* 2/1990 Fukui ..... 177/210 C
- 4,947,862 A \* 8/1990 Kelly ..... 600/547
- D409,932 S \* 5/1999 Kurata et al. .... D10/92
- 6,487,445 B1 \* 11/2002 Serita et al. .... 600/547
- 6,519,491 B2 \* 2/2003 Ishikawa et al. .... 600/547

**OTHER PUBLICATIONS**

Housewares, Jul., 1978, inside back cover, Hansons's "Memorie" computer bath scale.\*

Copy of Catalog of Body Fat Scale published by Tanita in May 2001.

Copy of Catalog of Body Fat Scale published by Tanita in Jun. 2001.

Copy of Catalog of Combined Body Fat Scale and Weight Scale published by Matsushita Electric Industrial in Jul. 2002.

\* cited by examiner

*Primary Examiner*—Lucy Lieberman

(74) *Attorney, Agent, or Firm*—Brinks Hofer Gilson & Lione

(57) **CLAIM**

The ornamental design for a combined body fat scale and weight scale, as shown and described.

**DESCRIPTION**

FIG. 1 is a top perspective view of a combined body fat scale and weight scale of the present invention;

FIG. 2 is a top view thereof;

FIG. 3 is a front elevation thereof;

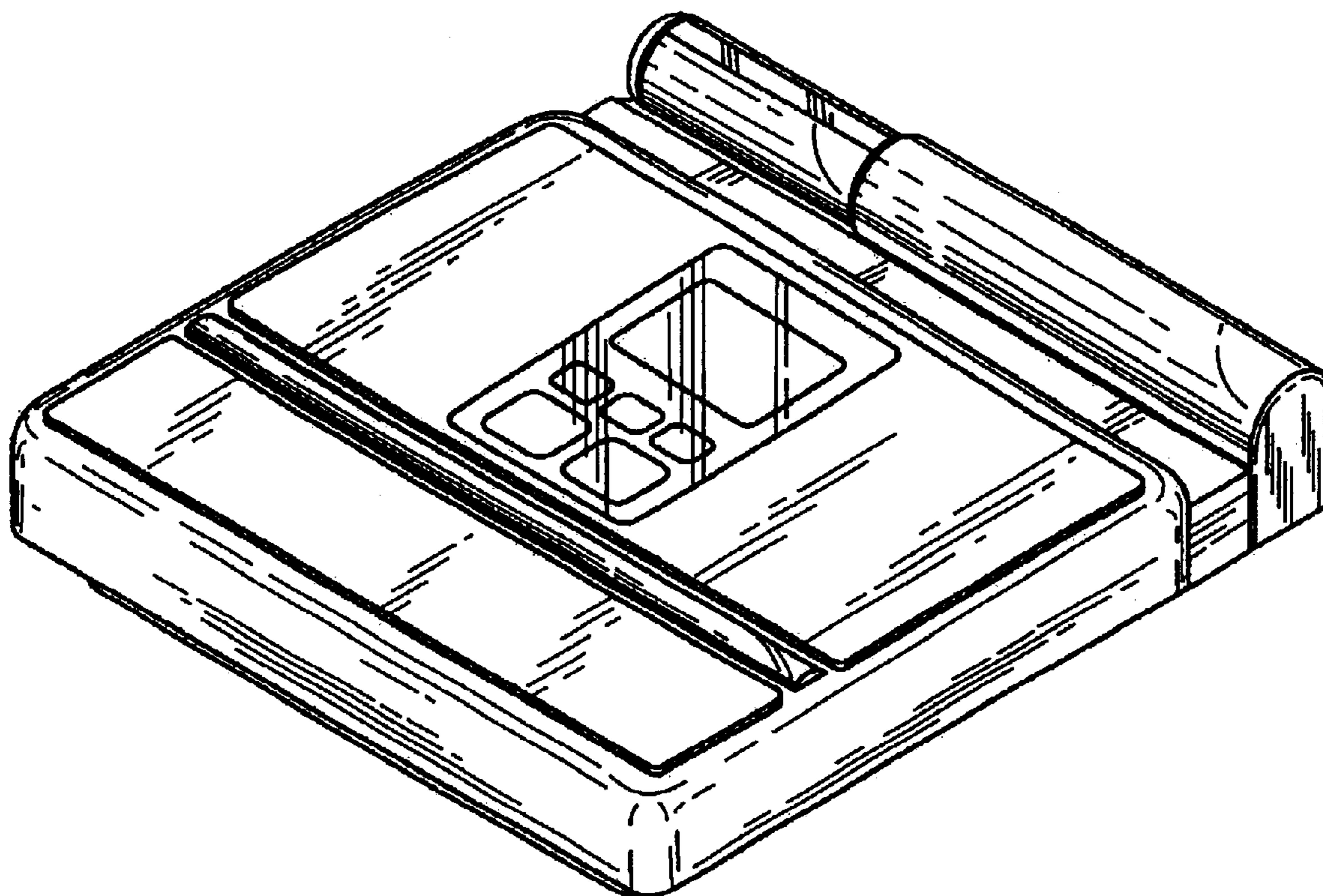
FIG. 4 is a bottom view thereof;

FIG. 5 is a rear elevation of the combined body fat scale and weight scale shown in the inverted position;

FIG. 6 is a right side elevation thereof; and,

FIG. 7 is a left side elevation thereof.

**1 Claim, 4 Drawing Sheets**



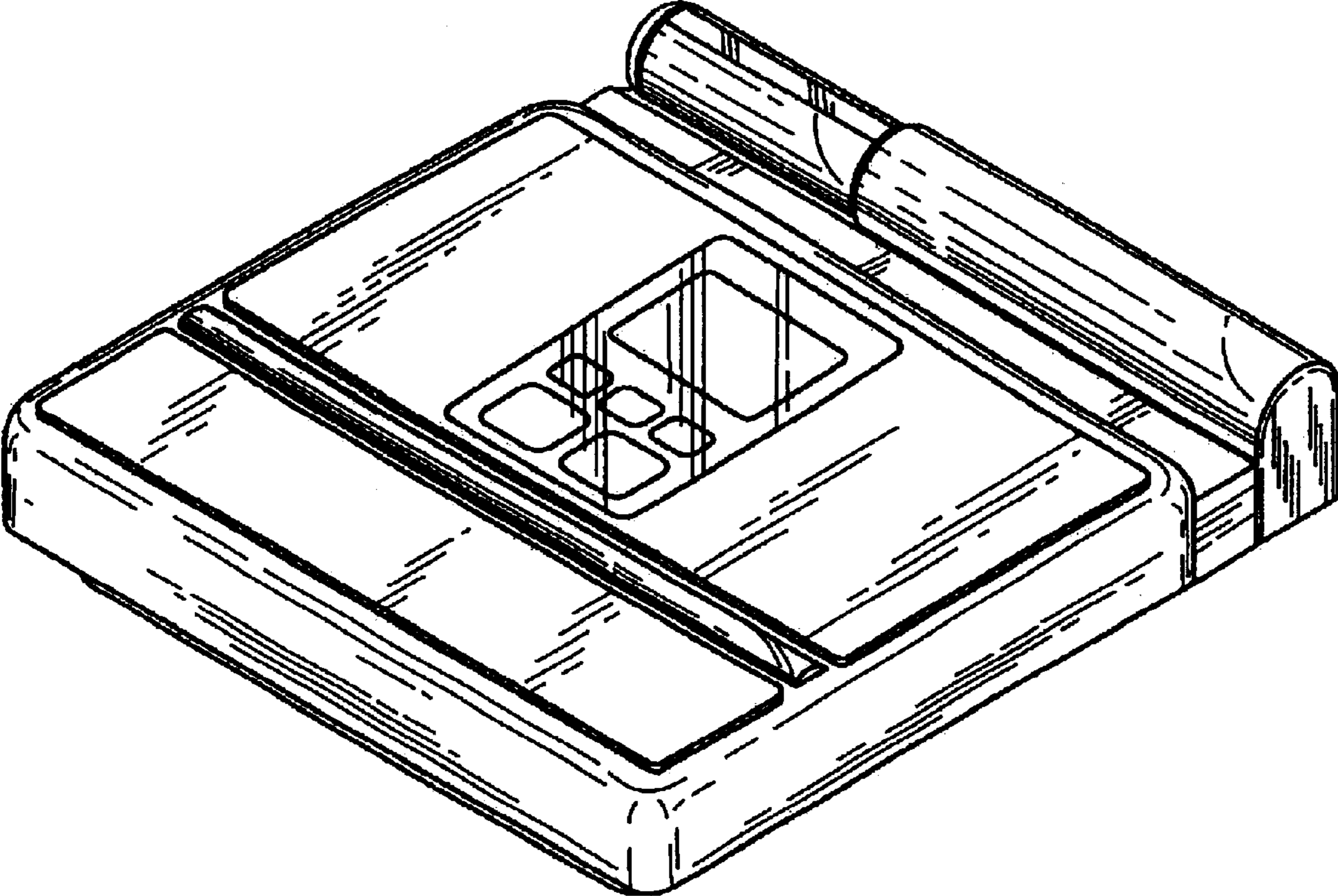


FIG. 1

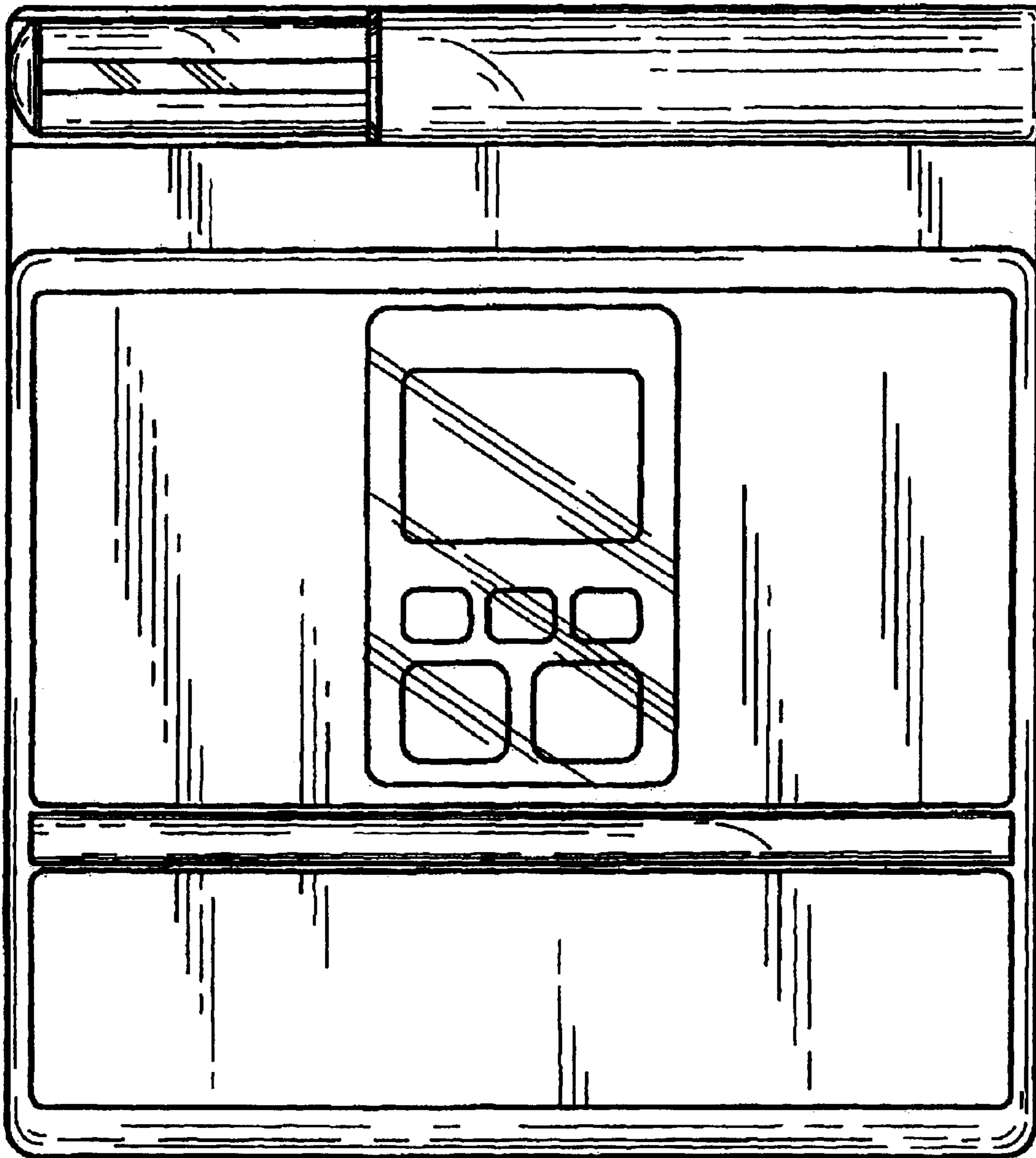


FIG. 2

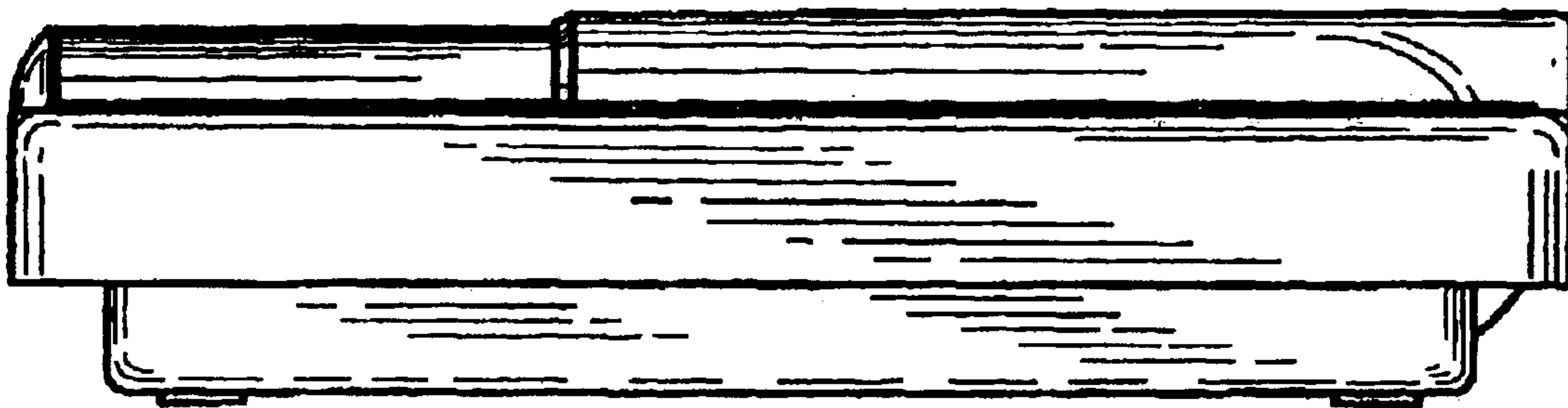


FIG. 3

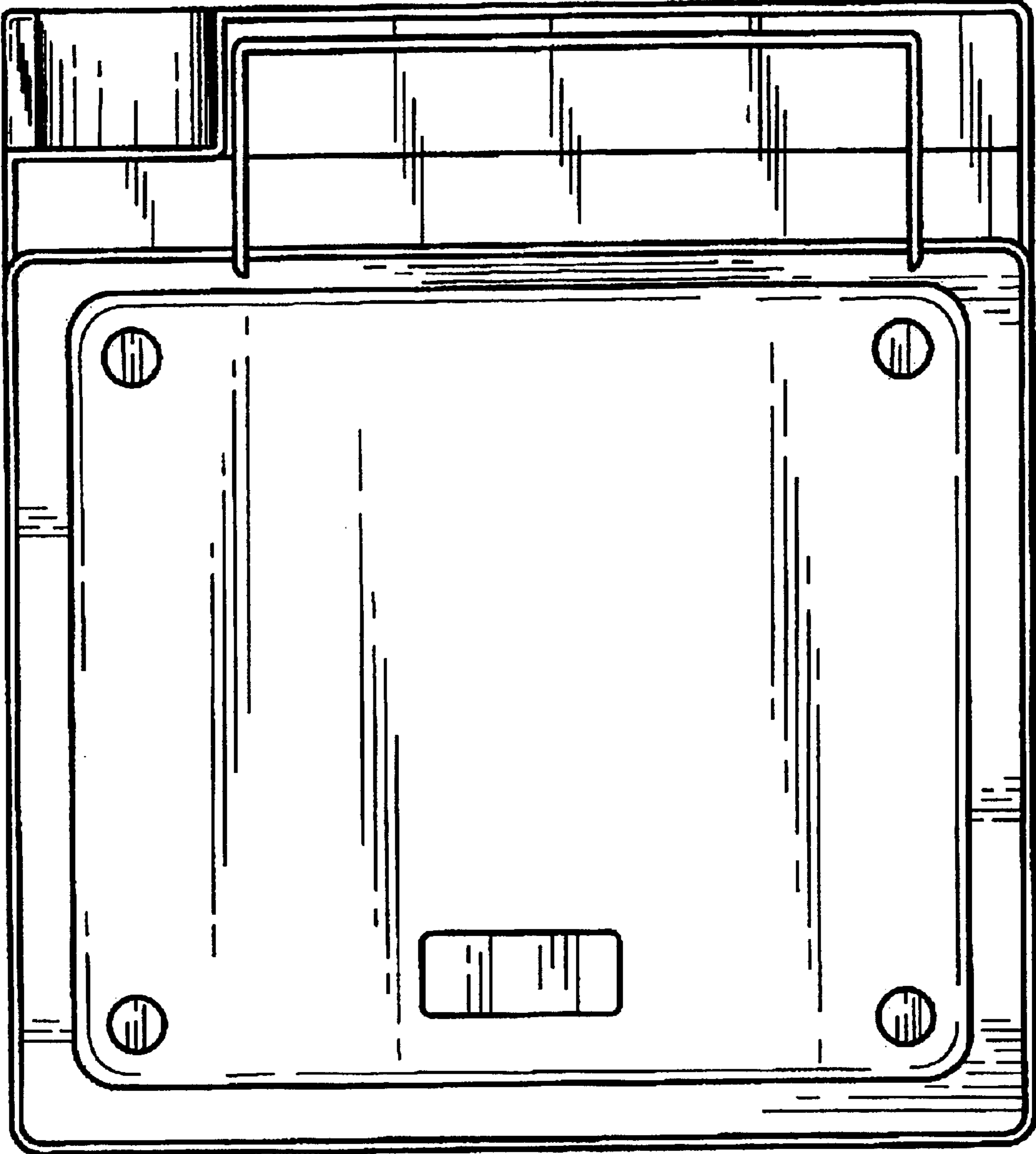


FIG. 4

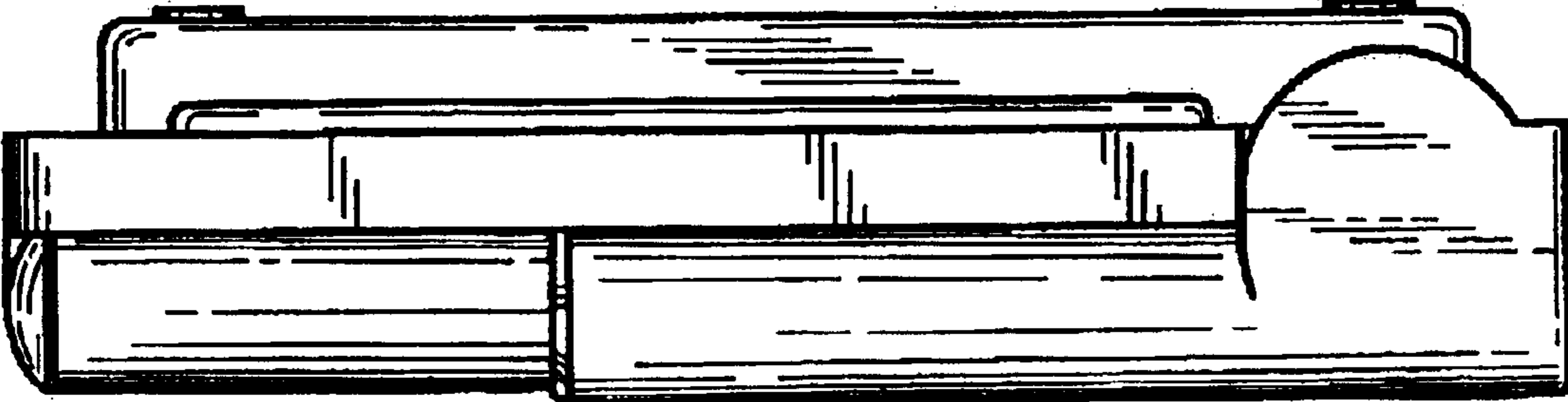


FIG. 5

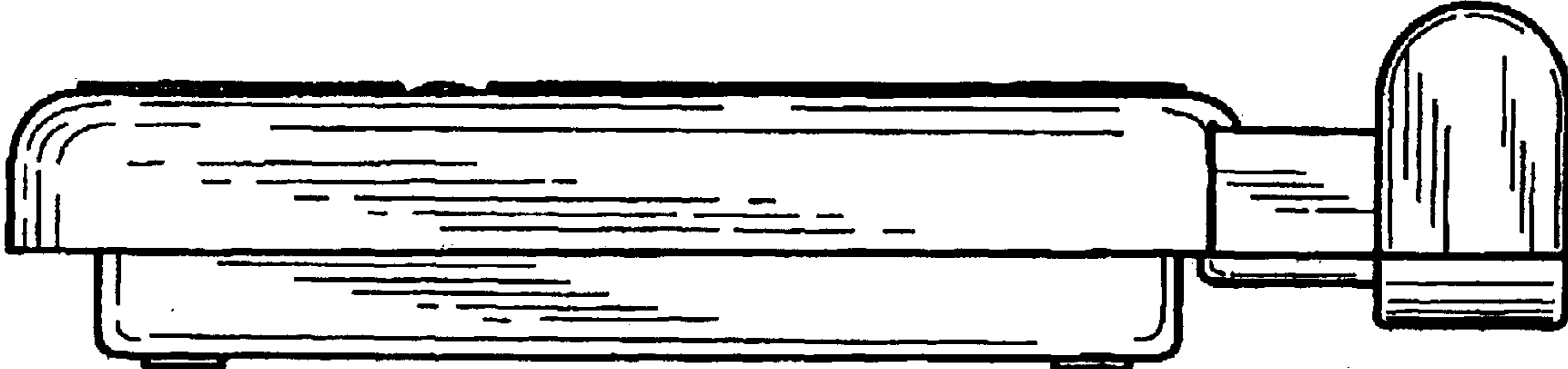


FIG. 6

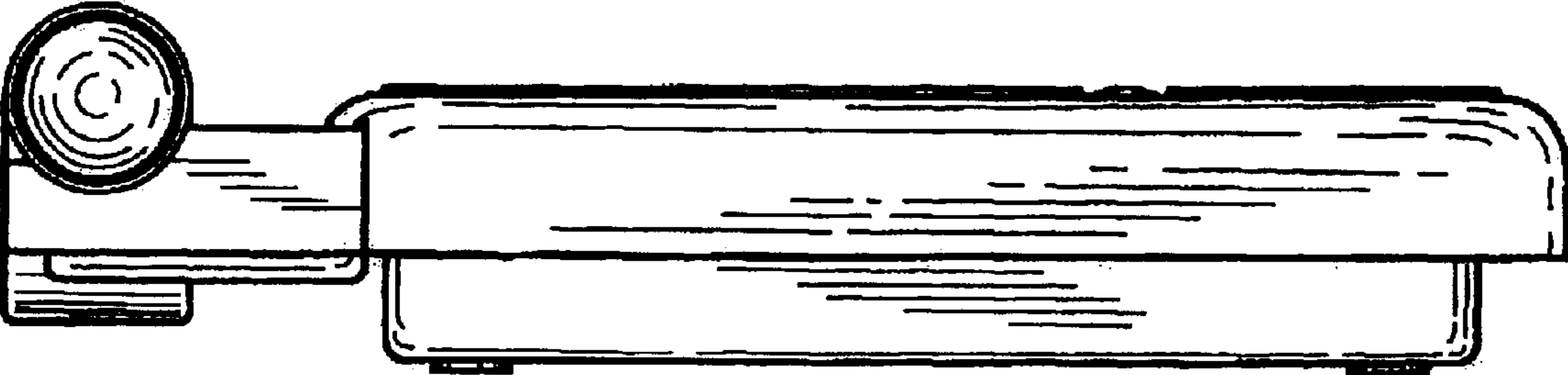


FIG. 7