

US00D492607S1

(12) **United States Design Patent**
Curkovic et al.

(10) **Patent No.: US D492,607 S**
(45) **Date of Patent: ** Jul. 6, 2004**

(54) **BODY POSITION SENSOR DEVICE**

(75) Inventors: **Joseph A. Curkovic**, Etobicoke (CA);
Conrad M. Marini, Woodbridge (CA);
Paul Mazzotta, Woodbridge (CA)

(73) Assignee: **Swingscope Inc.**, Etobicoke (CA)

(**) Term: **14 Years**

(21) Appl. No.: **29/183,019**

(22) Filed: **Jun. 5, 2003**

(51) **LOC (7) Cl.** **10-05**

(52) **U.S. Cl.** **D10/65; D10/104**

(58) **Field of Search** **D10/65, 104, 105;**
340/988, 539, 573.1, 669, 539.13, 574,
419, 357, 439, 457; 348/441; 701/215,
200, 35, 300

(56) **References Cited**

U.S. PATENT DOCUMENTS

6,147,611 A * 11/2000 Otero 340/574

D438,132 S * 2/2001 Givings D10/104
6,294,993 B1 * 9/2001 Calaman 340/539.18
D462,284 S * 9/2002 Womack D10/104
D467,824 S * 12/2002 Svendsen et al. D10/65
6,501,386 B2 * 12/2002 Lehrman et al. 340/669

* cited by examiner

Primary Examiner—Antoine D. Davis

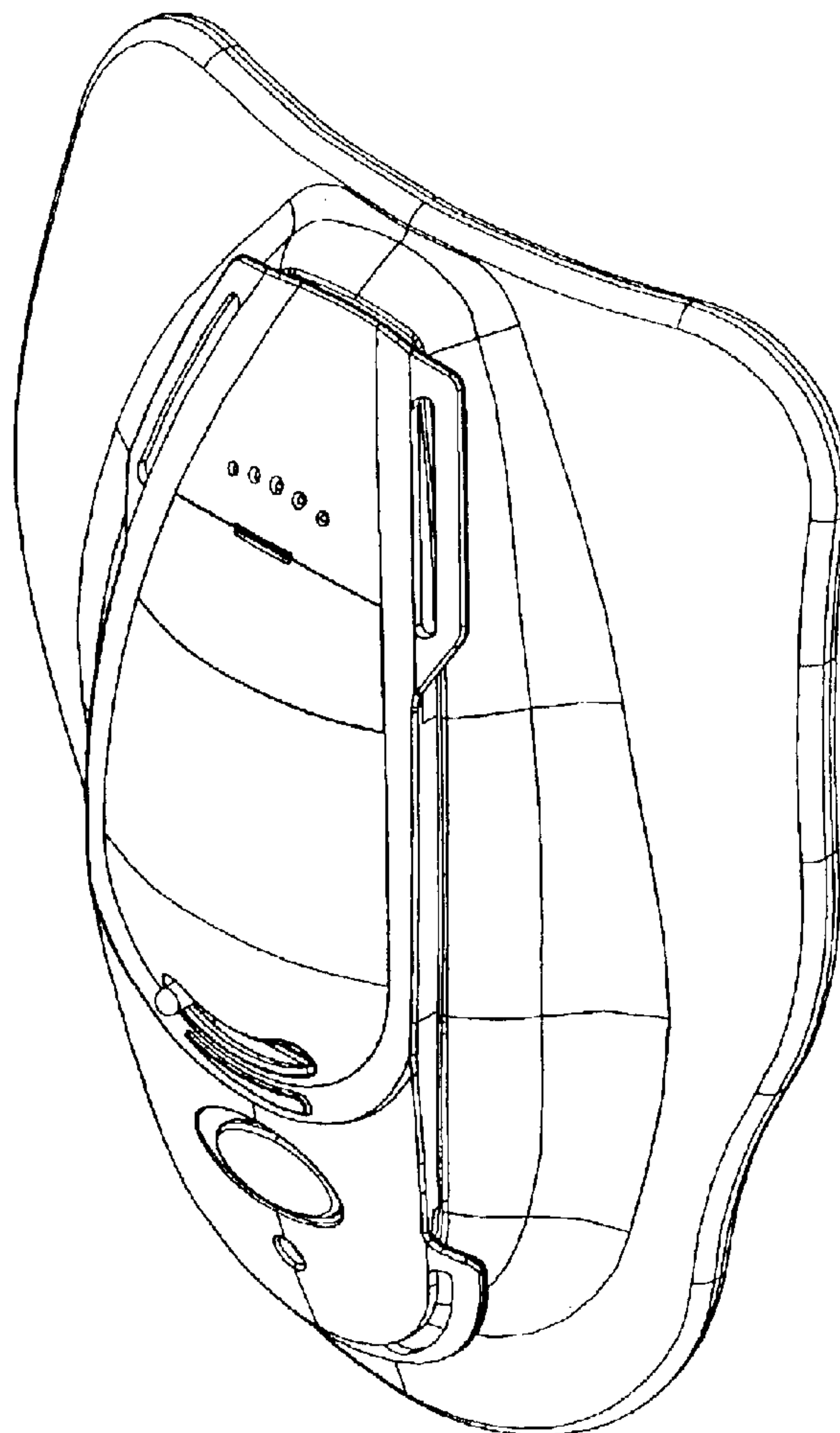
(57) **CLAIM**

An ornamental design for a body position sensor device, as shown.

DESCRIPTION

FIG. 1 is a front perspective view of the device;
FIG. 2 is a rear perspective view of the device;
FIG. 3 is a front view of the device;
FIG. 4 is a right side view of the device;
FIG. 5 is a left side view of the device;
FIG. 6 is a rear view of the device;
FIG. 7 is a top view of the device; and,
FIG. 8 is a bottom view of the device.

1 Claim, 8 Drawing Sheets



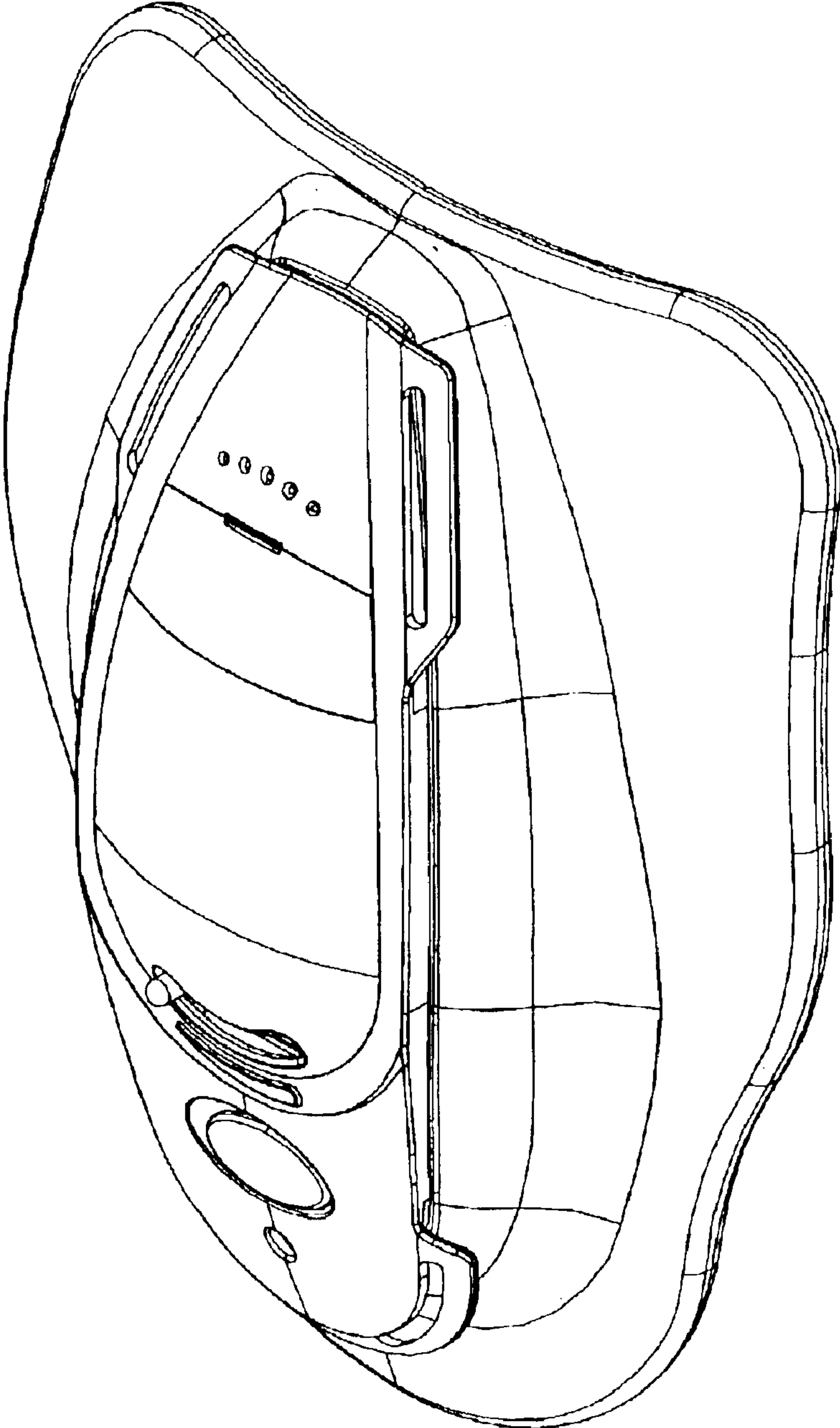


FIG. 1

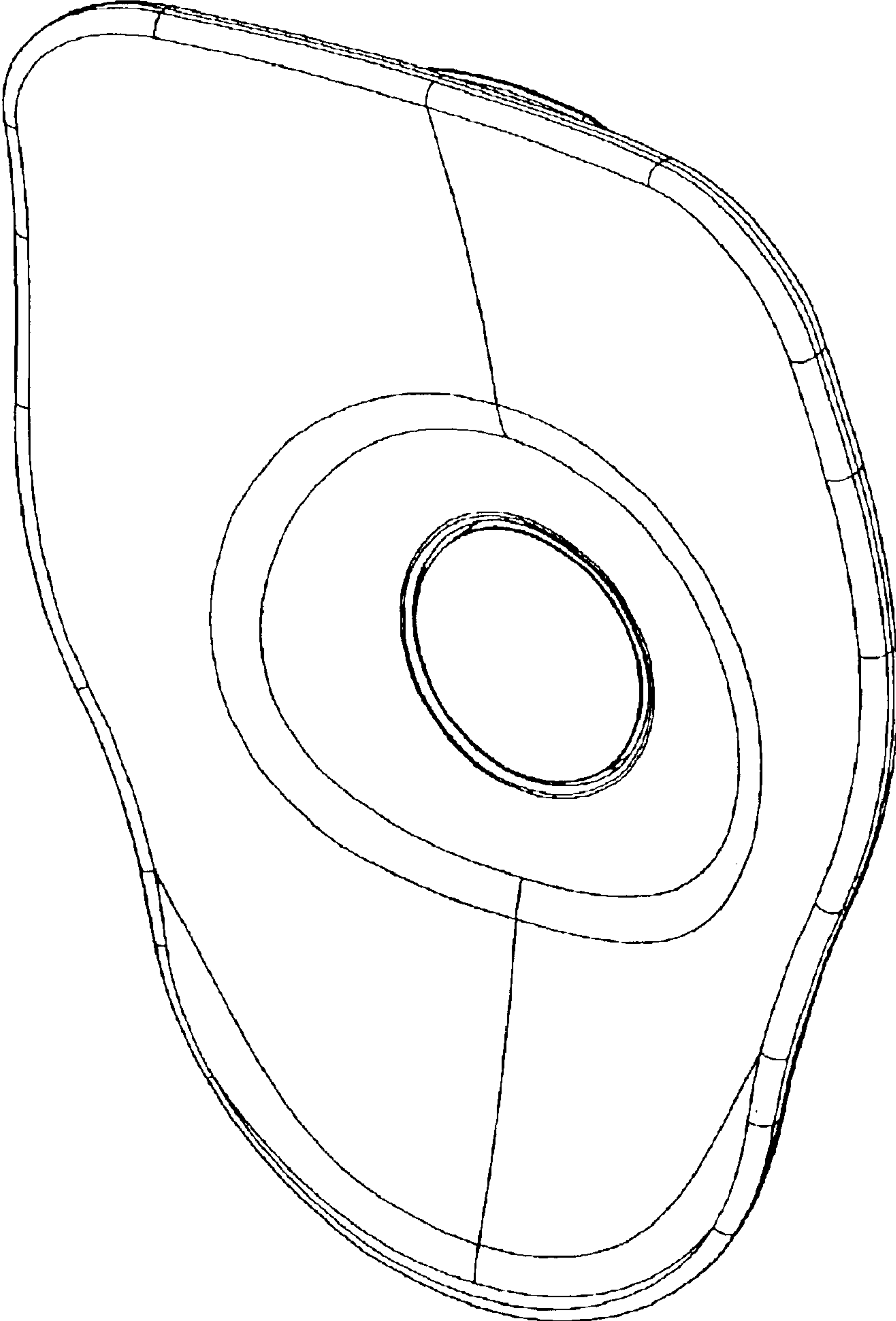


FIG. 2

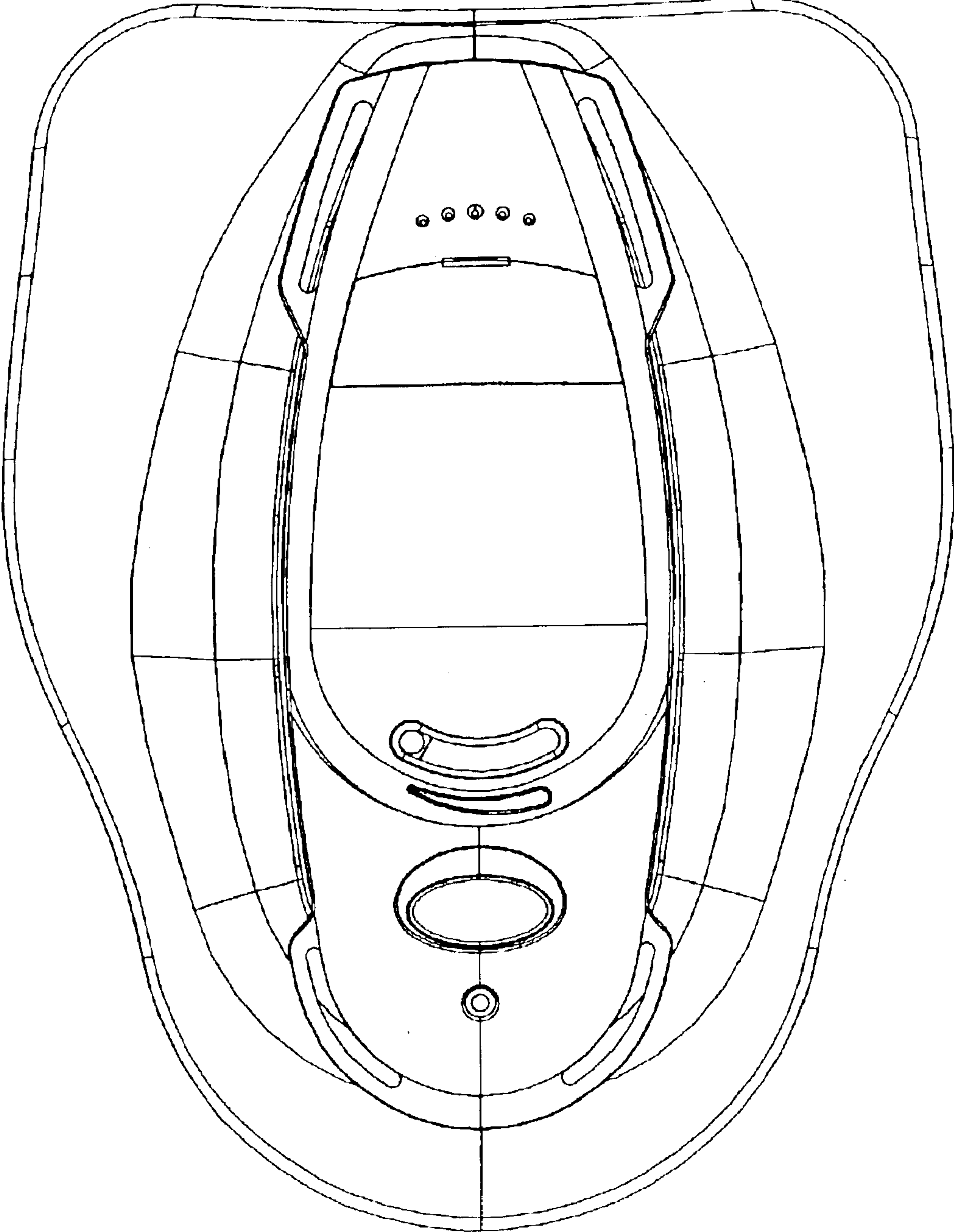


FIG. 3

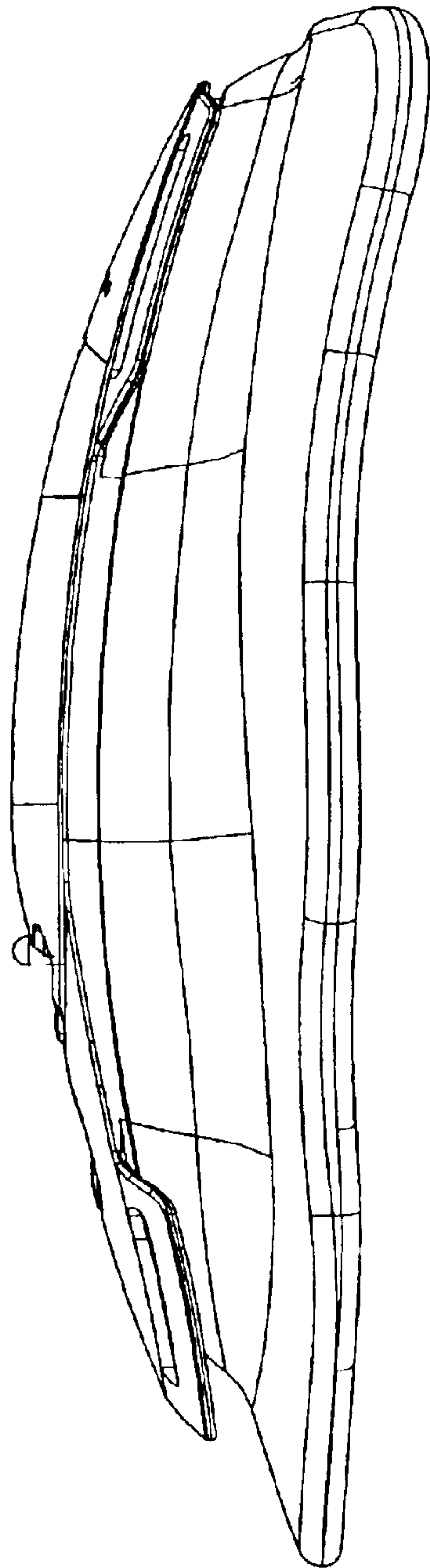


FIG. 4

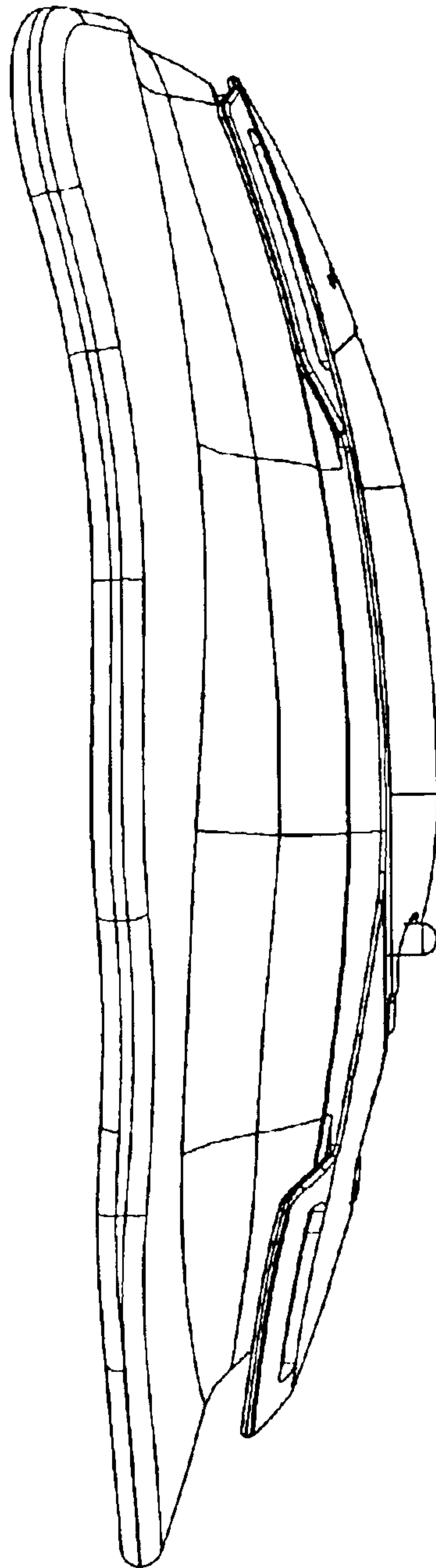


FIG. 5

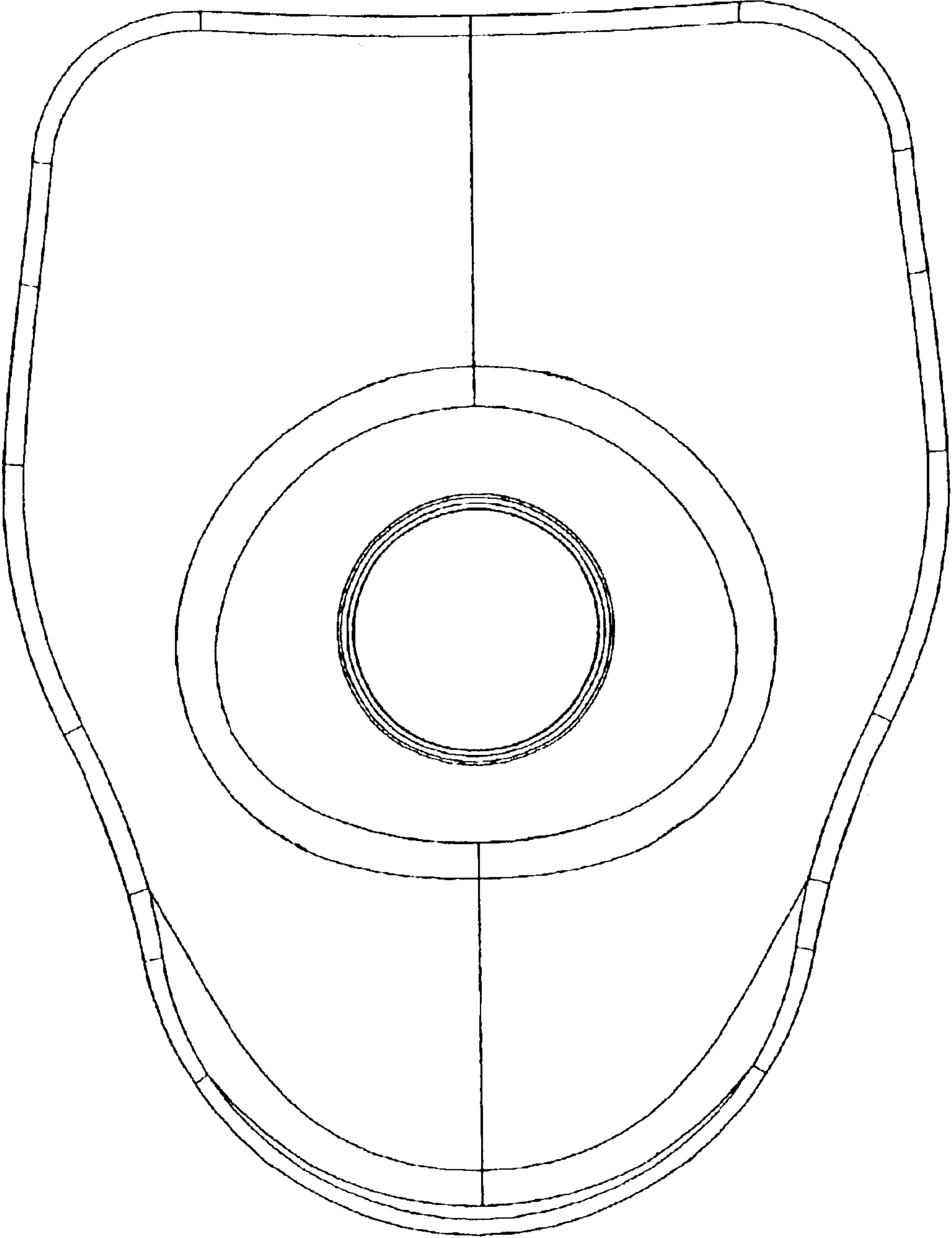


FIG. 6

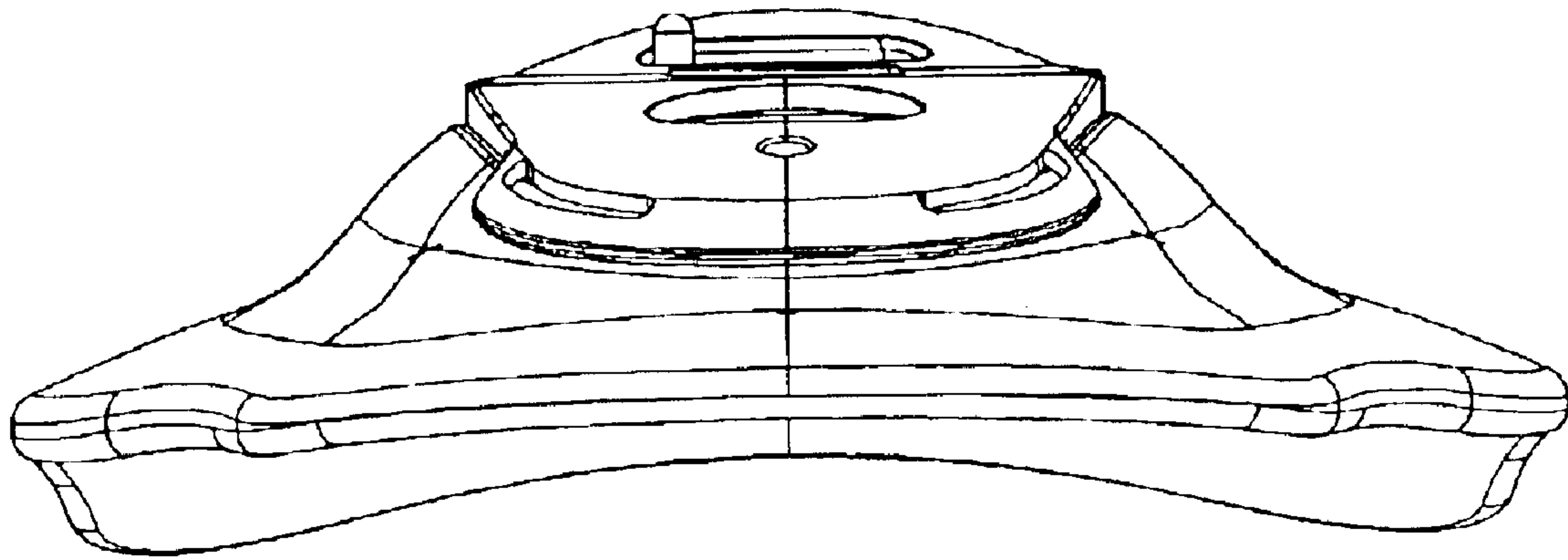


FIG. 7

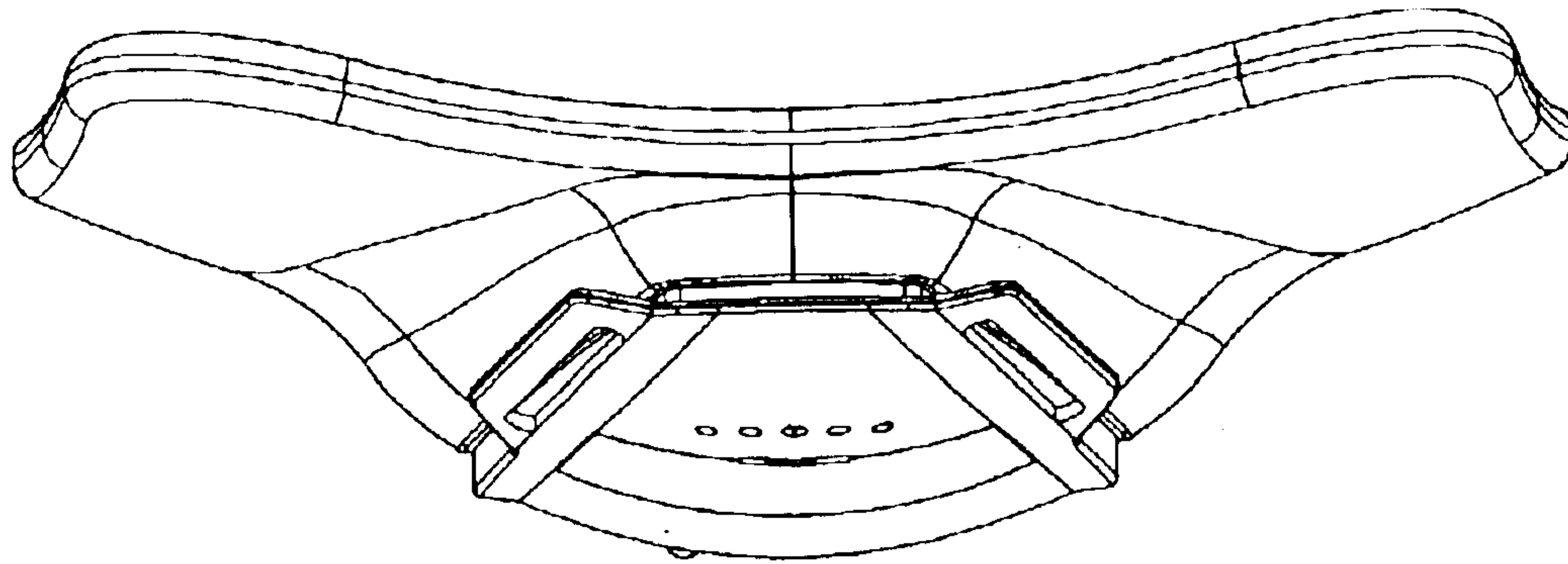


FIG. 8