

US00D492600S1

(12) **United States Design Patent**
Moore

(10) **Patent No.:** **US D492,600 S**
(45) **Date of Patent:** **** Jul. 6, 2004**

(54) **INDIVIDUAL DISPOSABLE PACKAGES FOR FREEZABLE SUBSTANCES**

(76) Inventor: **Pamela R. Moore**, P.O. Box 334,
Tallmadge, OH (US) 44278

(**) Term: **14 Years**

(21) Appl. No.: **29/164,852**

(22) Filed: **Jul. 31, 2002**

2,796,742 A	6/1957	Platt
3,025,682 A	3/1962	Kniffin
3,113,672 A	12/1963	Brown
D202,529 S	10/1965	Rosebrook
3,214,128 A	10/1965	Beck et al.
3,340,798 A	9/1967	Winger
3,565,389 A	2/1971	Price
3,799,493 A	3/1974	Beck et al.
3,840,153 A	10/1974	Devlin
D244,131 S	4/1977	Lalonde
D244,275 S	5/1977	Gurbin
D245,008 S	7/1977	LaLonde

Related U.S. Application Data

(63) Continuation-in-part of application No. 29/128,899, filed on Aug. 31, 2000, now abandoned.

(51) **LOC (7) Cl.** **09-05**

(52) **U.S. Cl.** **D9/503**

(58) **Field of Search** D9/306, 305, 337,
D9/338, 339, 500, 501, 503, 549, 558,
574, 414, 424; D24/100, 107, 108, 110,
232; 206/0.6, 0.7, 528, 438, 446, 524.1

(56) **References Cited**

U.S. PATENT DOCUMENTS

26,429 A	12/1859	Halvorson
139,858 A	6/1873	Blackman
298,694 A	5/1884	Jewett
1,688,888 A	10/1928	Spreen
1,831,047 A	11/1931	Thomas
1,953,167 A	4/1934	Geyer
2,036,706 A	4/1936	Law
2,083,081 A	6/1937	Moll
2,132,879 A	10/1938	Pownall
2,136,425 A	11/1938	Fields
2,166,560 A	7/1939	Schmelzer
2,247,018 A	6/1941	Henning
2,247,019 A	6/1941	Henning
2,291,672 A	8/1942	Youngberg
2,411,193 A	11/1946	Cummins
2,434,803 A	1/1948	Johnson et al.
2,591,375 A	4/1952	Radford
2,594,127 A	4/1952	Collier
2,704,928 A	3/1955	Curry
2,713,543 A	7/1955	Peters

(List continued on next page.)

FOREIGN PATENT DOCUMENTS

DE 200 15 104 U1 1/2001

OTHER PUBLICATIONS

PCT International Search Report—Nov. 15, 2002.

Primary Examiner—Philip S. Hyder

Assistant Examiner—Daniel Bui

(74) *Attorney, Agent, or Firm*—Brouse McDowell; Roger D. Emerson; Heather M. Barnes

(57) **CLAIM**

The ornamental design for individual disposable packages for freezable substances, as shown.

DESCRIPTION

FIG. 1 is a perspective view of the individual disposable packages for freezable substances, in an exploded condition showing my new design;

FIG. 2 is a perspective view thereof, in a closed condition;

FIG. 3 is a front elevation view of FIG. 1;

FIG. 4 is a top plan view, taken along line 4—4 shown in FIG. 3;

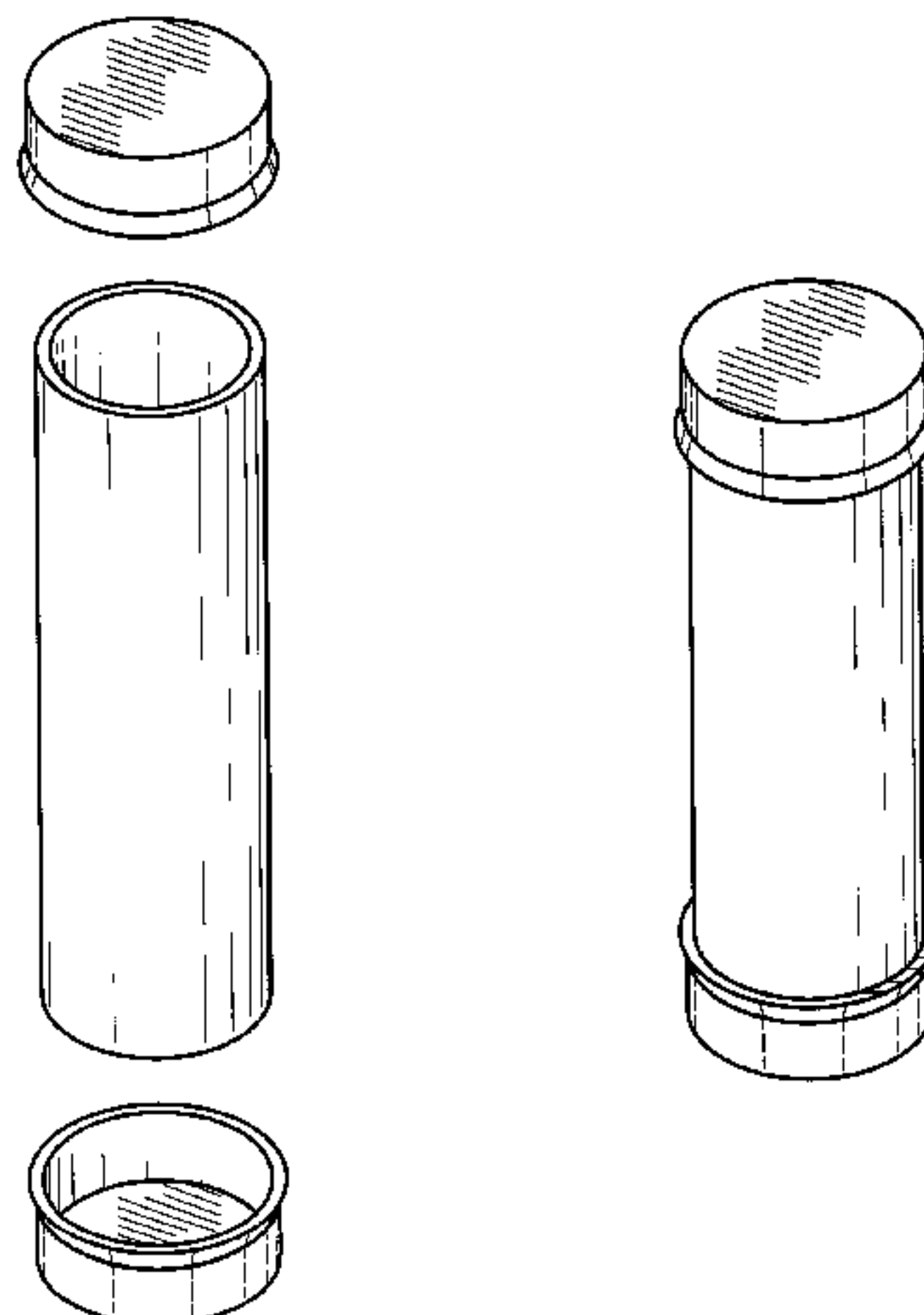
FIG. 5 is a top plan view, taken along line 5—5 shown in FIG. 3;

FIG. 6 is a top plan view of FIG. 7;

FIG. 7 is a front elevation view of FIG. 2; and,

FIG. 8 is a bottom plan view thereof.

1 Claim, 3 Drawing Sheets



US D492,600 S

Page 2

U.S. PATENT DOCUMENTS							
4,091,632	A	5/1978	Marchewka et al.	5,235,823	A	8/1993	Coker
4,148,457	A	4/1979	Gurbin	5,250,315	A	10/1993	Loew et al.
4,162,780	A	7/1979	Rankin	5,357,761	A	10/1994	Schauer
4,223,043	A	9/1980	Johnson	D352,045	S	11/1994	Daenen et al.
4,417,716	A	11/1983	Penna et al.	5,393,032	A	2/1995	Cederroth
D271,769	S	12/1983	Daenen et al.	5,397,097	A	3/1995	Dale
D281,696	S	12/1985	Barnhart	5,456,090	A	10/1995	McCoy
D287,856	S	1/1987	Stewart	5,467,877	A	11/1995	Smith
D292,802	S	11/1987	Fails	5,502,981	A	4/1996	Sullivan
4,735,063	A	4/1988	Brown	5,507,156	A	4/1996	Redmon
4,804,083	A	2/1989	Weeks	5,590,542	A	1/1997	Wang
4,843,836	A	7/1989	Childers	5,597,087	A	1/1997	Vinarsky
4,883,251	A	11/1989	Manas	5,609,039	A	3/1997	Green et al.
D307,997	S	5/1990	Bernstein	5,806,338	A	9/1998	Schwartz et al.
D309,905	S	8/1990	Weissman	5,971,352	A	10/1999	Kirks
4,981,022	A	1/1991	Snyder	6,182,452	B1	2/2001	Wright et al.
D318,281	S	7/1991	McKinlay	6,345,802	B2	2/2002	Moore
5,129,238	A	7/1992	Schwartz et al.	6,422,753	B1	7/2002	Thomas
5,188,744	A	2/1993	Silverman	6,471,402	B1	10/2002	Burns
5,201,194	A	4/1993	Flynn, Jr. et al.	2002/0050150	A1	5/2002	Moore

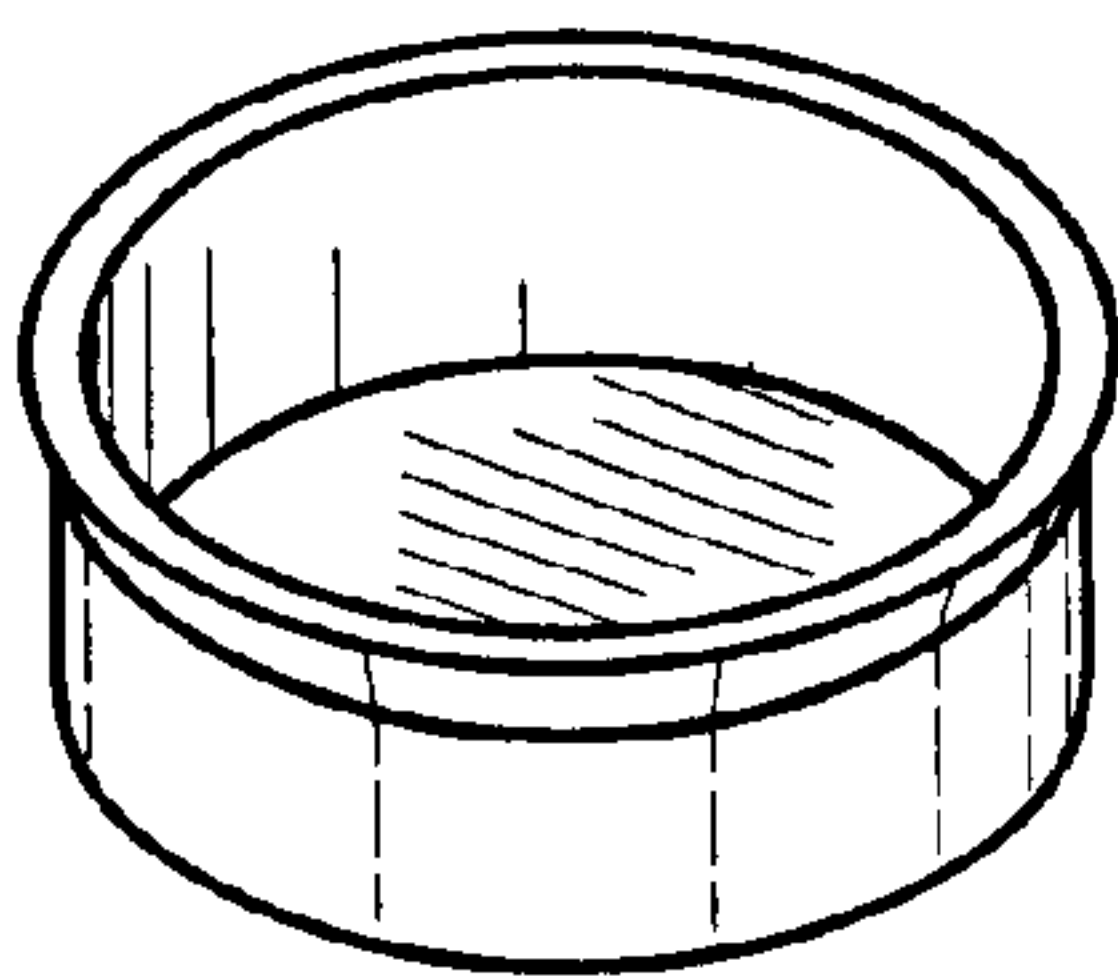
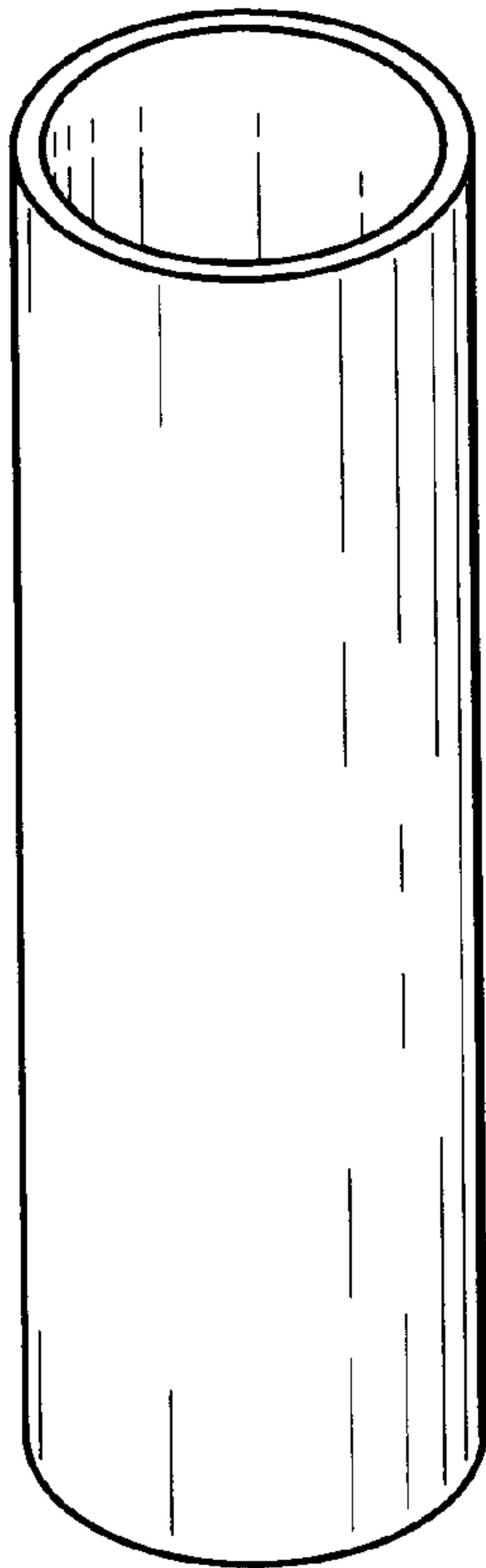
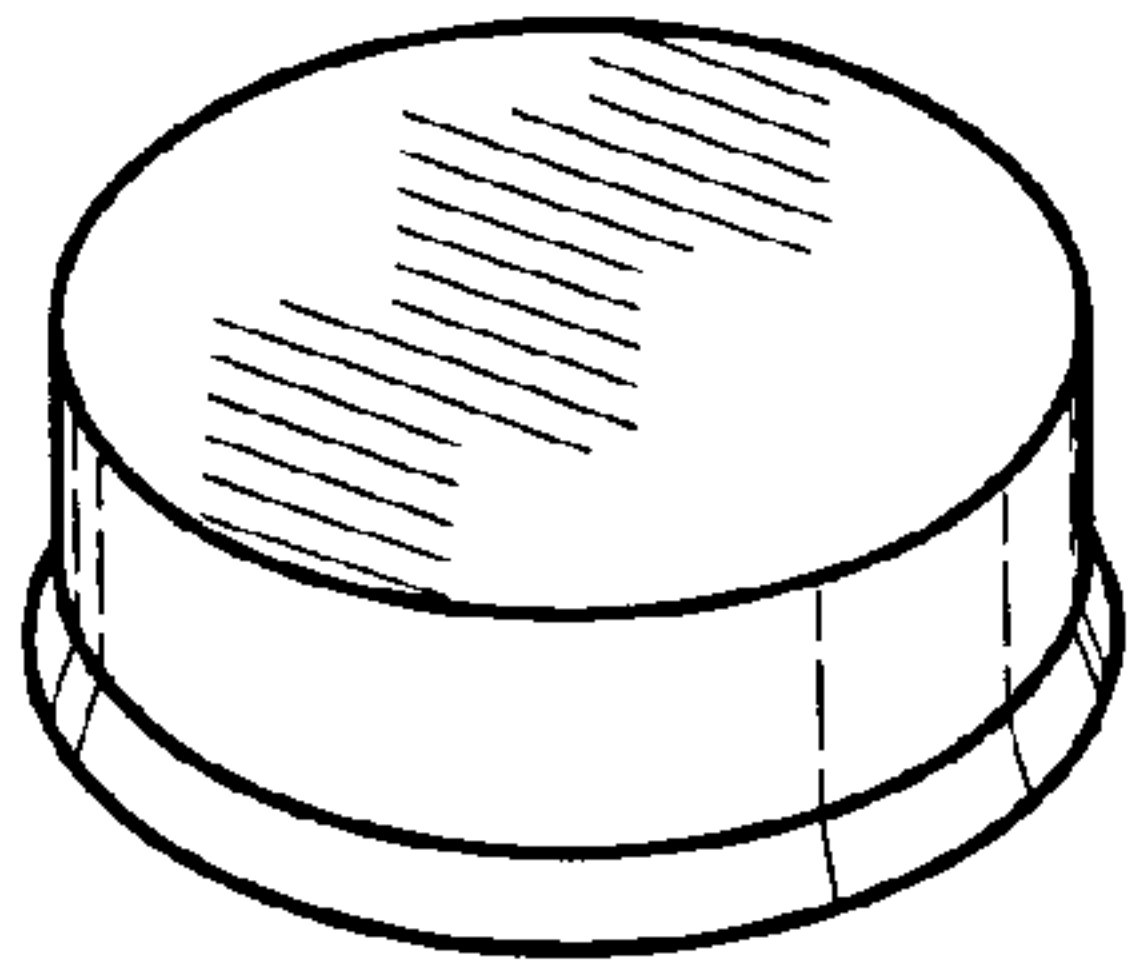


FIG-1

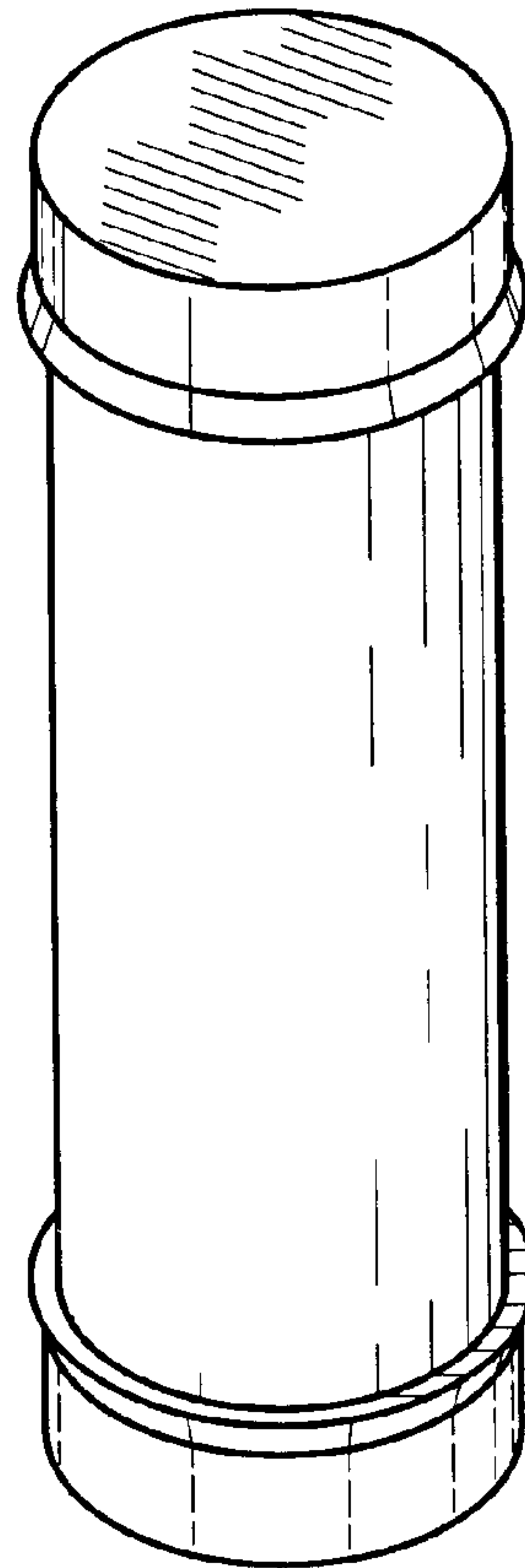


FIG-2

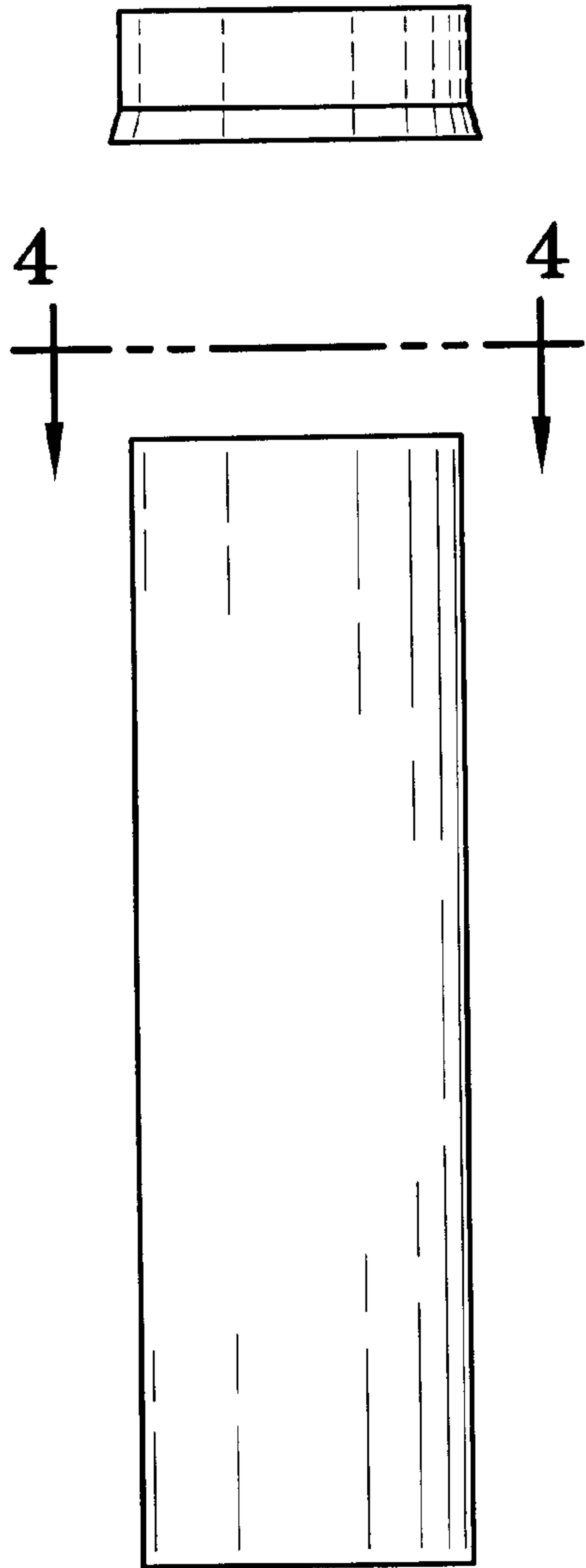


FIG-3

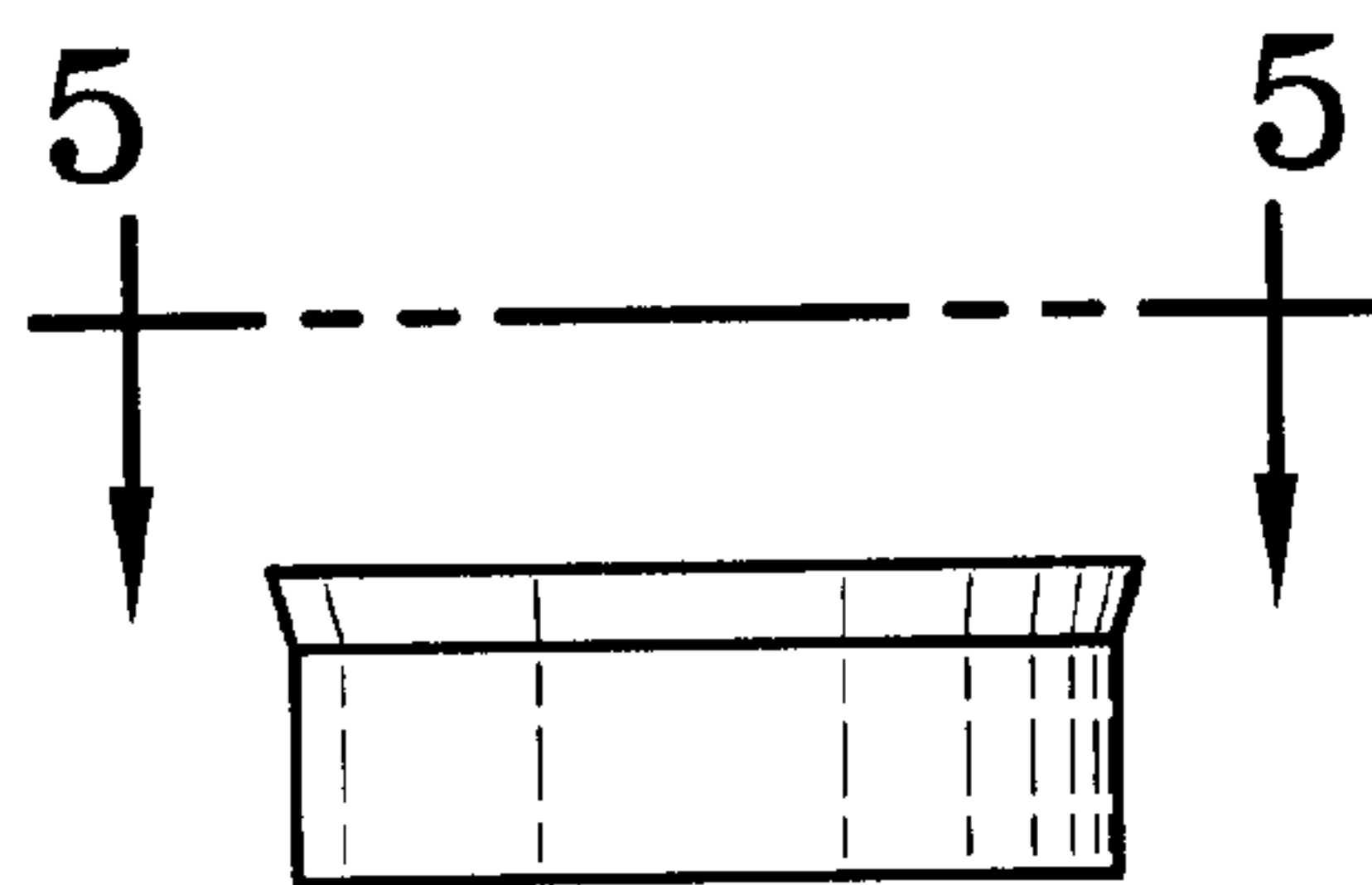


FIG-4

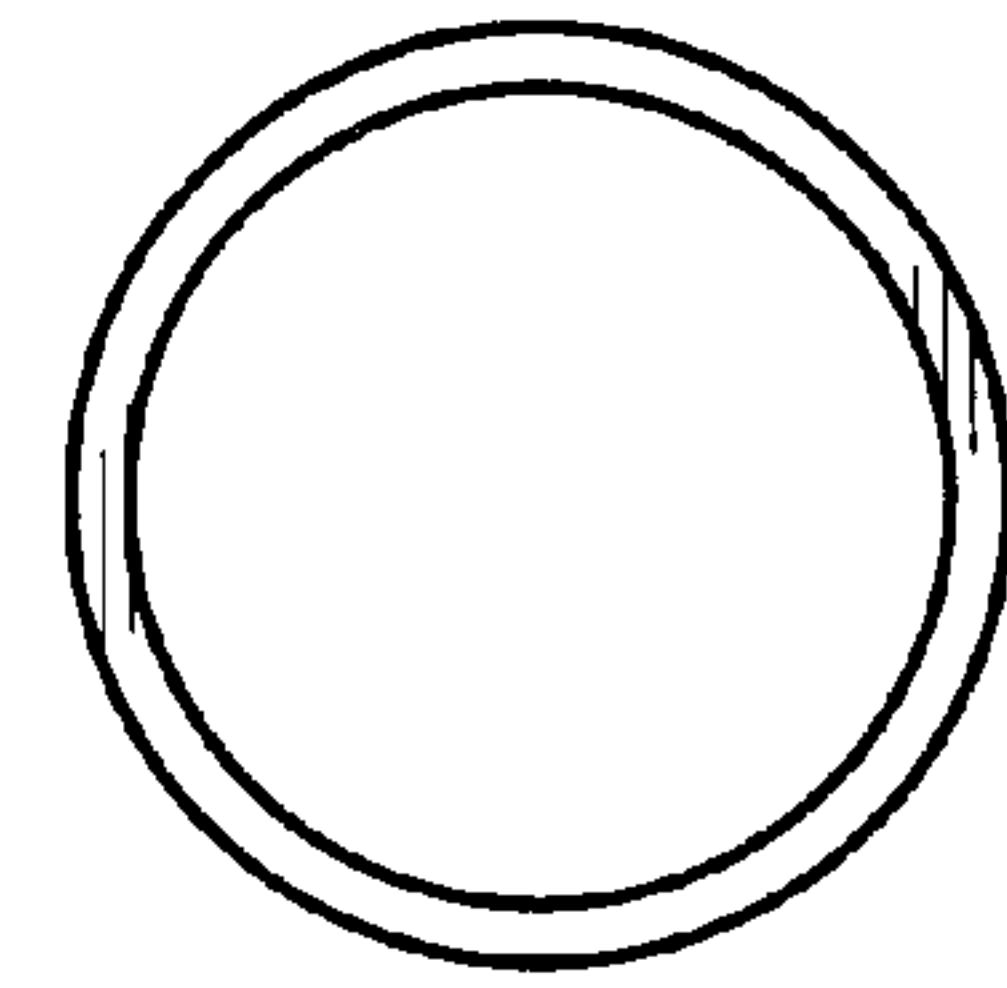
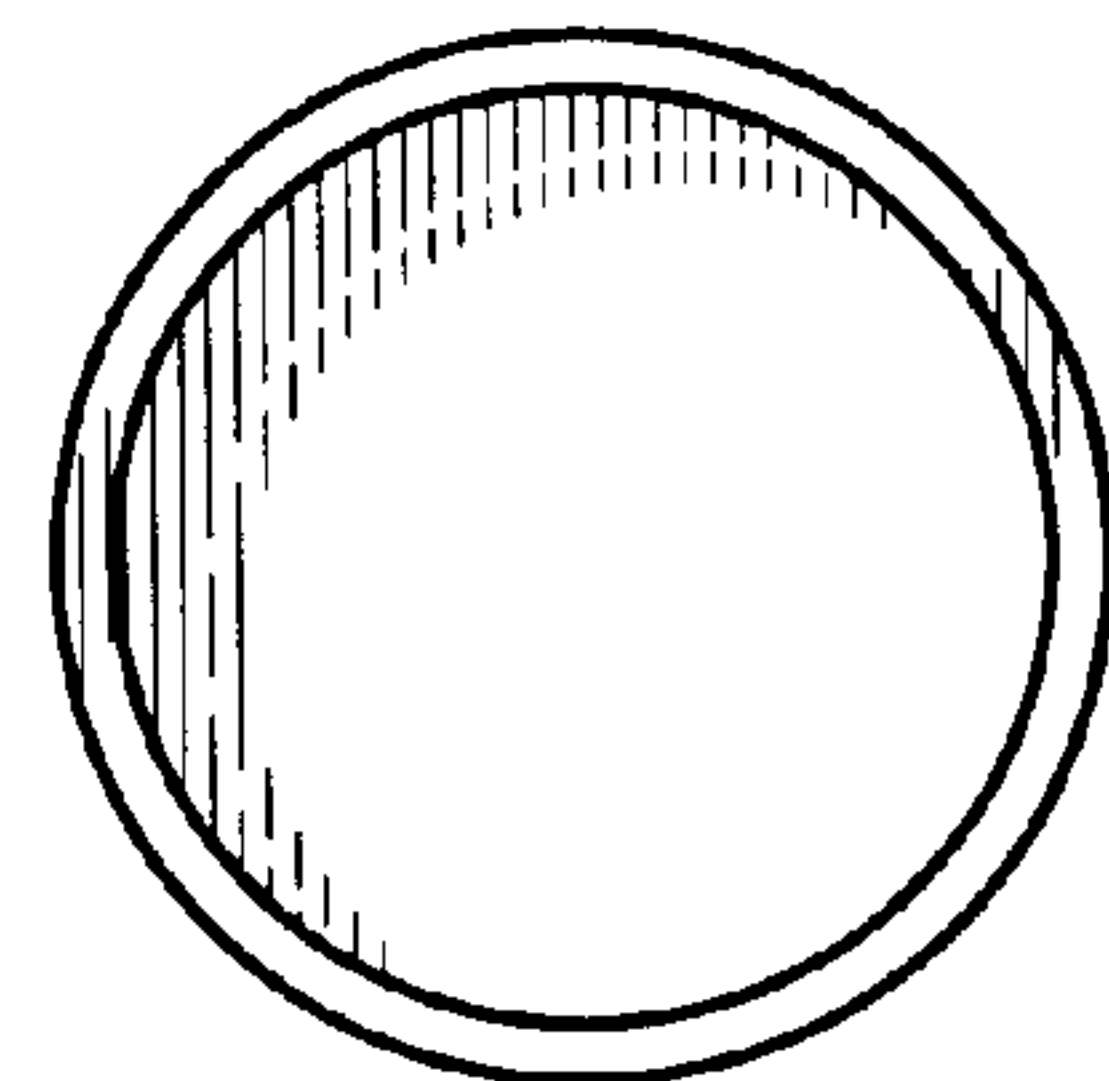


FIG-5



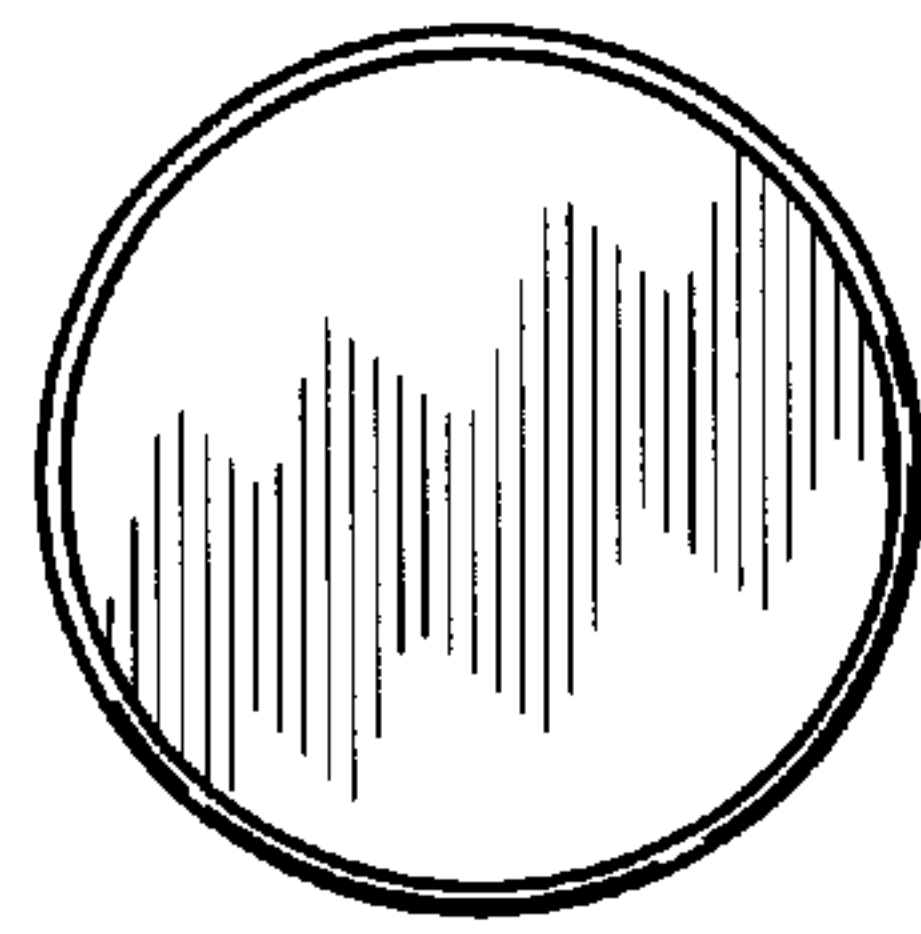


FIG-6

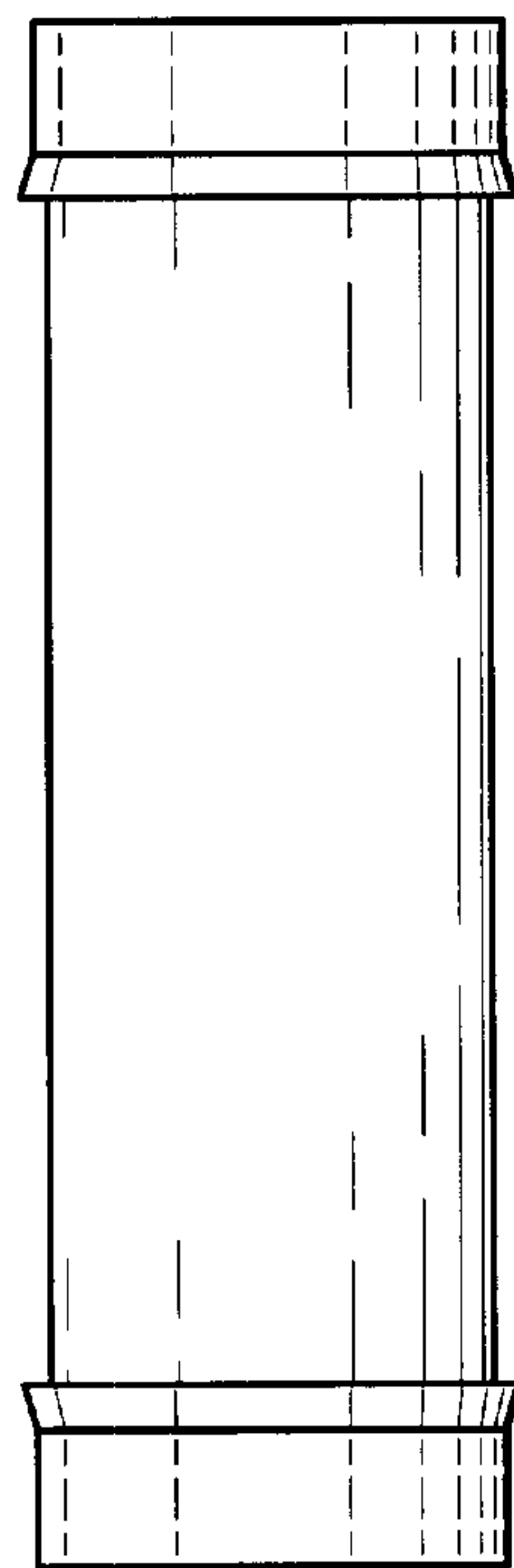


FIG-7

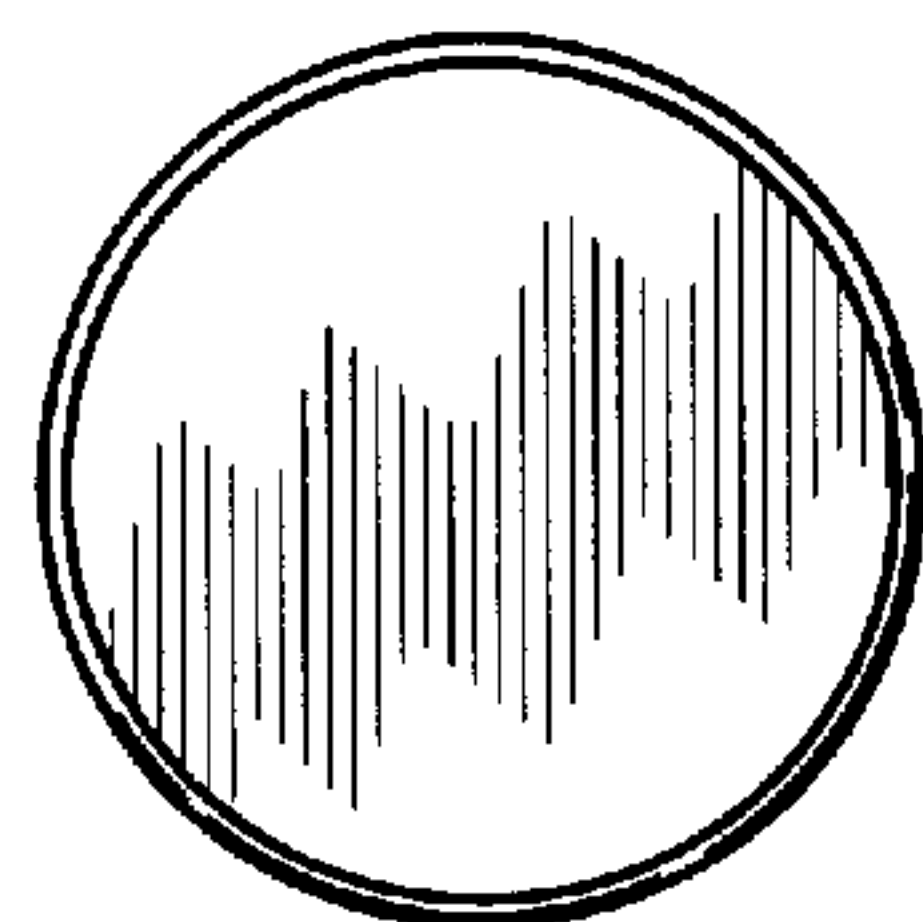


FIG-8