

US00D492596S1

(12) **United States Design Patent** (10) **Patent No.:** **US D492,596 S**
Miceli et al. (45) **Date of Patent:** **** Jul. 6, 2004**

(54) **BOTTLE CAP**
(75) Inventors: **David Miceli**, Spencer, TN (US);
Joseph Miceli, Spencer, TN (US)
(73) Assignee: **Tri State Distribution, Inc.**, Spencer,
TN (US)

4,526,281 A 7/1985 Herr
4,694,968 A 9/1987 Proctor et al.
4,790,444 A * 12/1988 Terzi 220/714
4,823,967 A 4/1989 Thompson 215/222
D316,039 S * 4/1991 Sykes et al. D9/436
D329,809 S * 9/1992 Bloomfield D9/443
5,190,178 A 3/1993 Luch 215/332
5,449,078 A 9/1995 Akers
5,464,110 A 11/1995 Heyworth

(*) Notice: This patent is subject to a terminal dis-
claimer.
(**) Term: **14 Years**

(List continued on next page.)

(21) Appl. No.: **29/170,867**
(22) Filed: **Nov. 14, 2002**

FOREIGN PATENT DOCUMENTS

EP 0 792 818 A1 3/1997

OTHER PUBLICATIONS

International Search Report, PCT/US01/06103, Feb. 27,
2001.
Written Opinion, PCT/US01/06103, Jan. 22, 2002.

Related U.S. Application Data

(62) Division of application No. 10/236,940, filed on Sep. 9,
2002, now Pat. No. 6,523,709, which is a continuation of
application No. 09/794,157, filed on Feb. 28, 2001, now Pat.
No. 6,446,823
(60) Provisional application No. 60/185,706, filed on Feb. 29,
2000.
(51) **LOC (7) Cl.** **09-07**
(52) **U.S. Cl.** **D9/435; D9/454**
(58) **Field of Search** D9/435, 436, 443,
D9/454; 215/228, 222, 232, 201, 211, 216,
217, 219, 220, 342, 341

Primary Examiner—Louis S. Zarfaz
Assistant Examiner—Gregory Andoll
(74) *Attorney, Agent, or Firm*—Waddey & Patterson; I. C.
Waddey, Jr.; Phillip E. Walker

(57) **CLAIM**

The ornamental design for a bottle cap, as shown and
described.

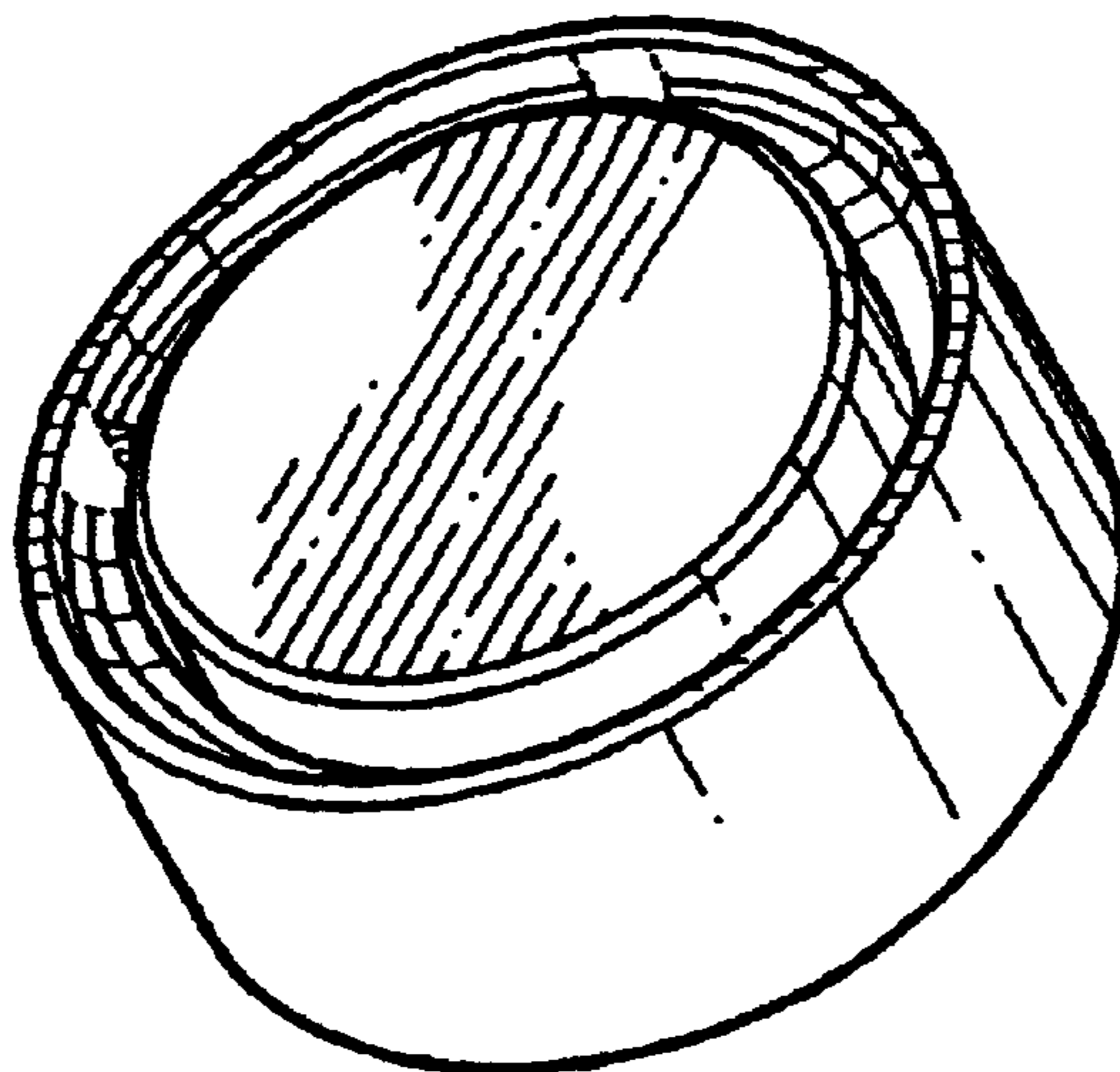
DESCRIPTION

FIG. 1 illustrates a bottom perspective view of bottle cap
showing our new design.
FIG. 2 illustrates a top perspective view thereof.
FIG. 3 illustrates a bottom plan view thereof.
FIG. 4 illustrates a top plan view thereof; and,
FIG. 5 illustrates a sectional view, taken at line 5—5 in FIG.
4, to clarify the configuration of the exterior surface of bottle
cap.
Portions of the bottle cap not shown in the drawing are
disclaimed as forming no part of the claimed design.
The purpose of the broken lines in the drawings is as
boundaries that form no part of the design.

(56) **References Cited**
U.S. PATENT DOCUMENTS

942,141 A 12/1909 Hoffman 215/332
1,435,723 A 11/1922 Mayer 215/332
3,344,942 A 10/1967 Hedgewick 215/222
3,435,975 A 4/1969 Weigand 215/214
3,557,985 A 1/1971 St. Denis et al. 215/222
3,612,324 A 10/1971 Malick 215/332
3,836,034 A * 9/1974 Lecinski, Jr. 215/222
3,865,267 A 2/1975 Morris
3,951,289 A 4/1976 Landen 215/222
4,387,821 A 6/1983 Geiger 215/332
4,452,364 A 6/1984 Kay

1 Claim, 1 Drawing Sheet



US D492,596 S

Page 2

U.S. PATENT DOCUMENTS							
5,579,934	A	12/1996	Buono	5,924,588	A	7/1999	Brennan
5,711,442	A	1/1998	Kusz	5,927,532	A	7/1999	Traub 215/222
D399,743	S	* 10/1998	Coon et al. D9/443	5,934,492	A	8/1999	Jones
5,819,968	A	10/1998	Jones	6,082,565	A	7/2000	Harrold
5,836,465	A	11/1998	King	6,446,823	B2	9/2002	Miceli et al.
5,865,330	A	2/1999	Buono	6,523,709	B2	2/2003	Miceli et al.
5,899,348	A	5/1999	Konefal et al.				

* cited by examiner

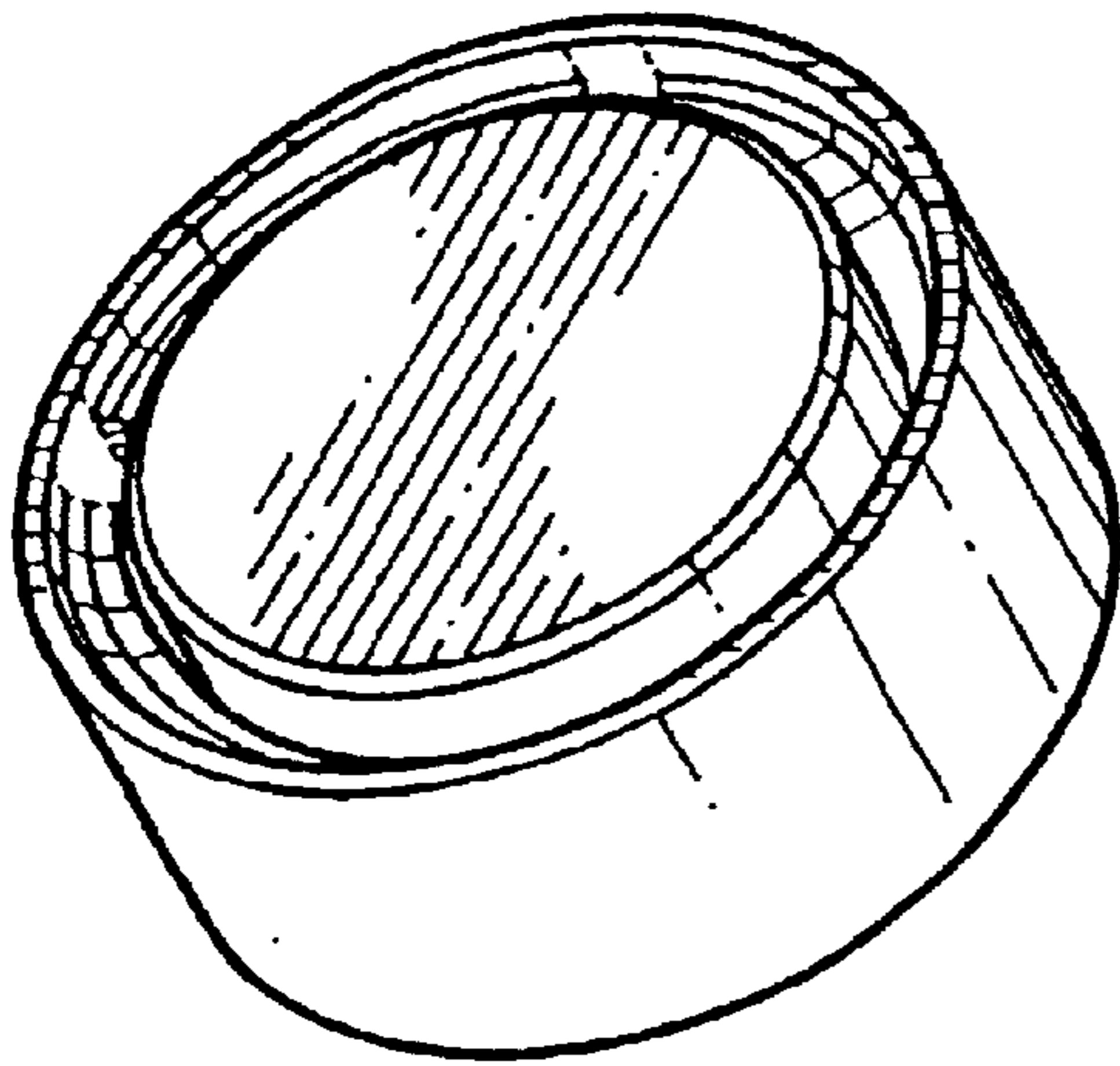


FIG. 1

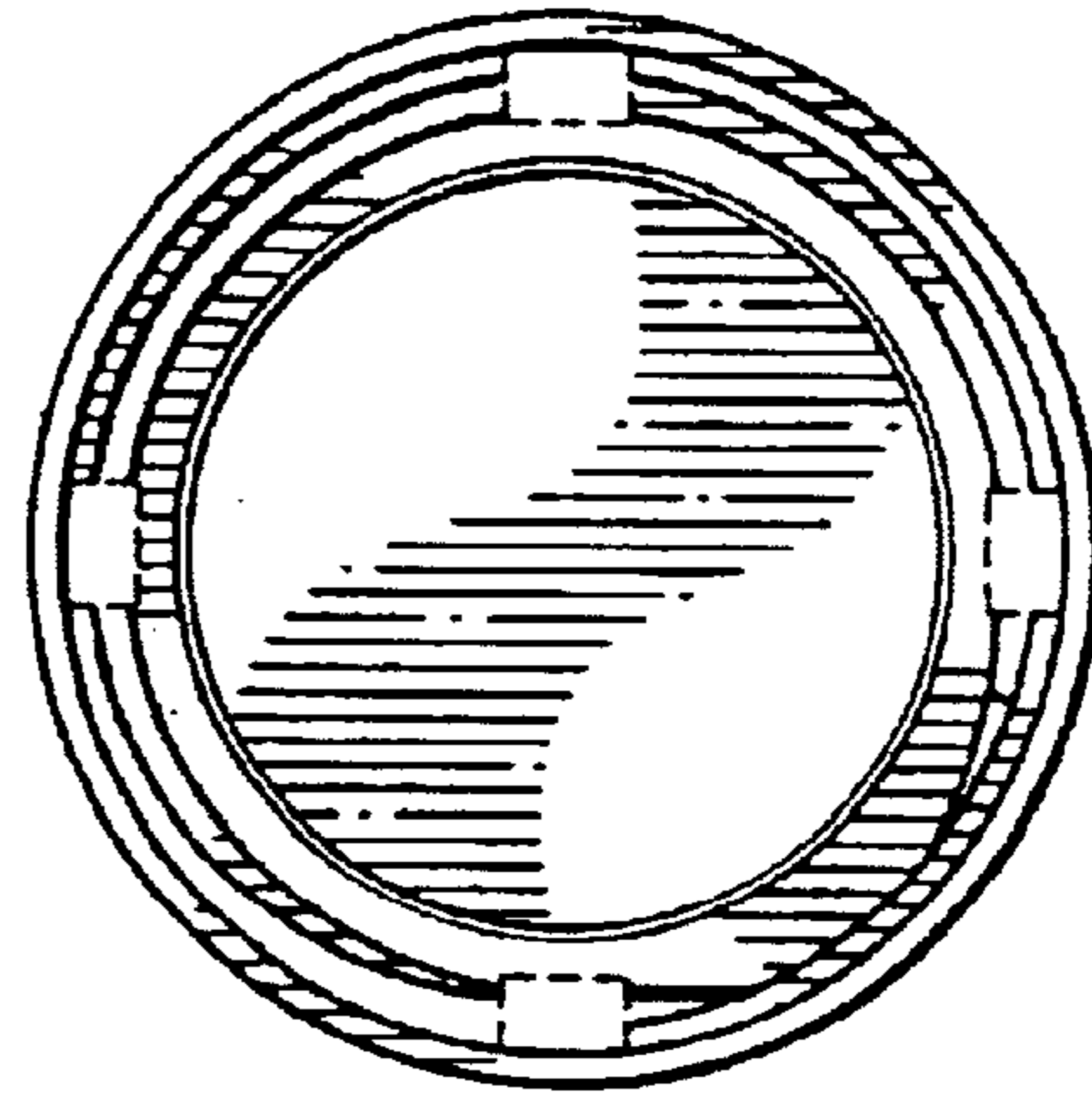


FIG. 3

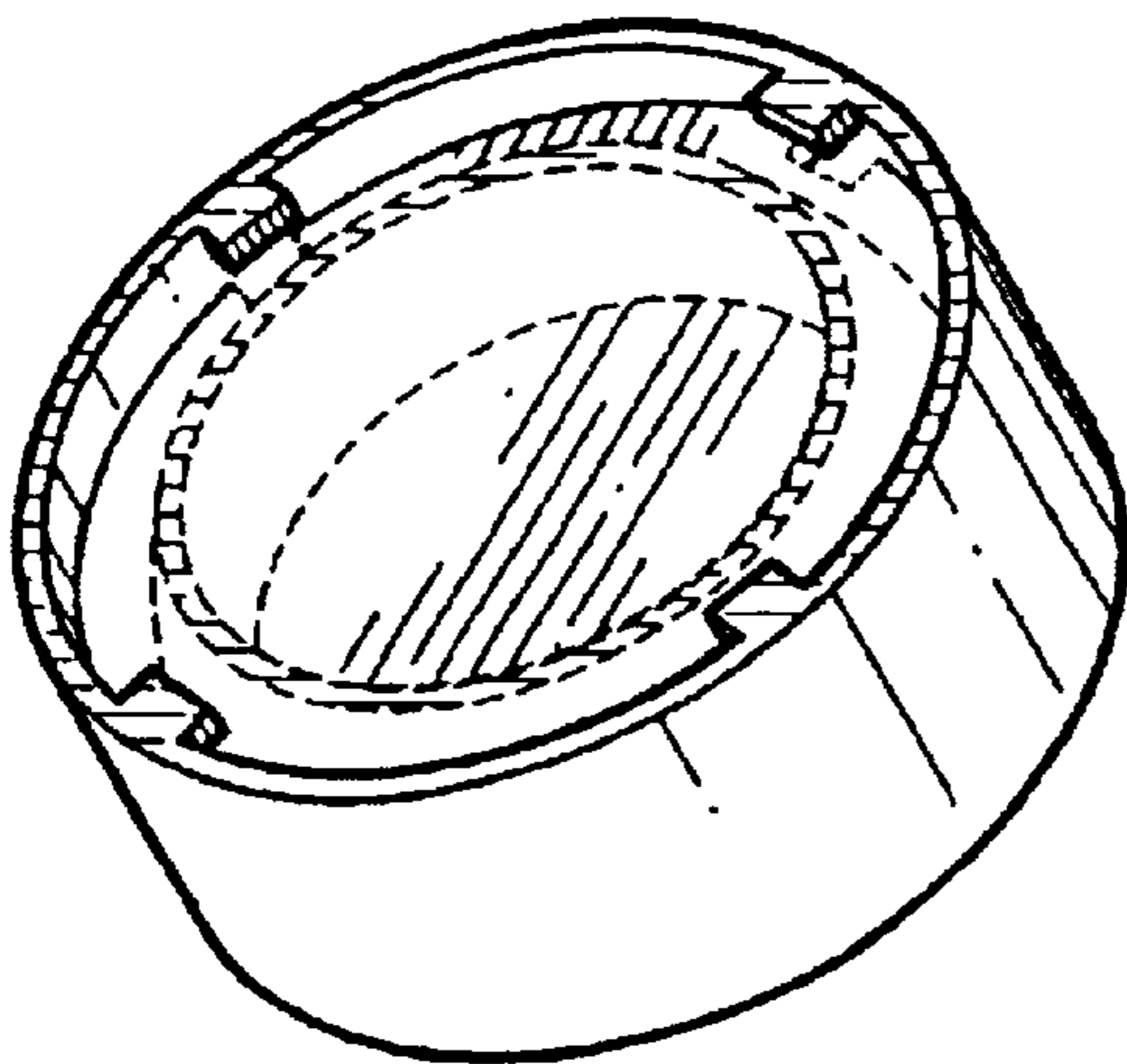


FIG. 2

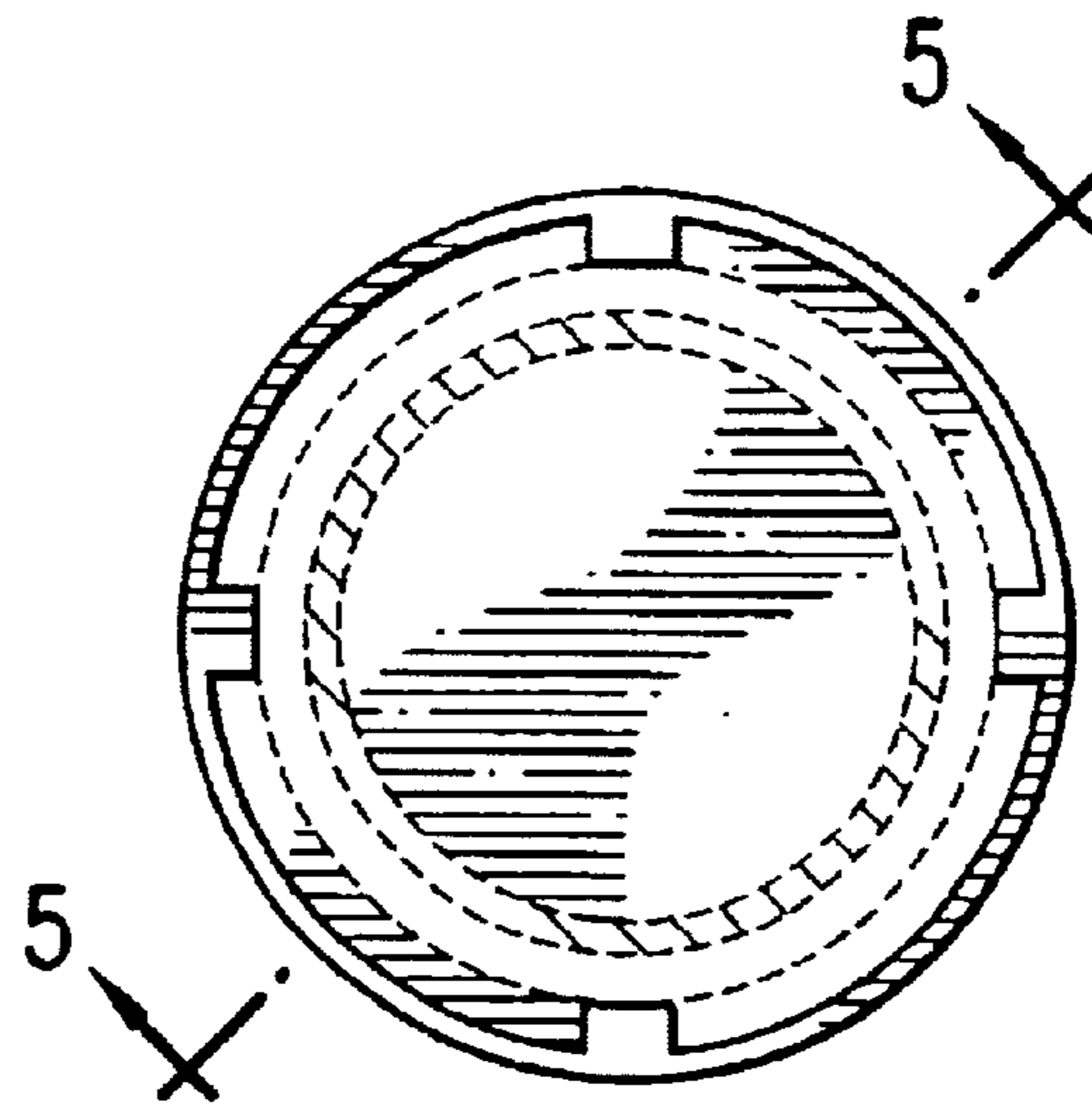


FIG. 4

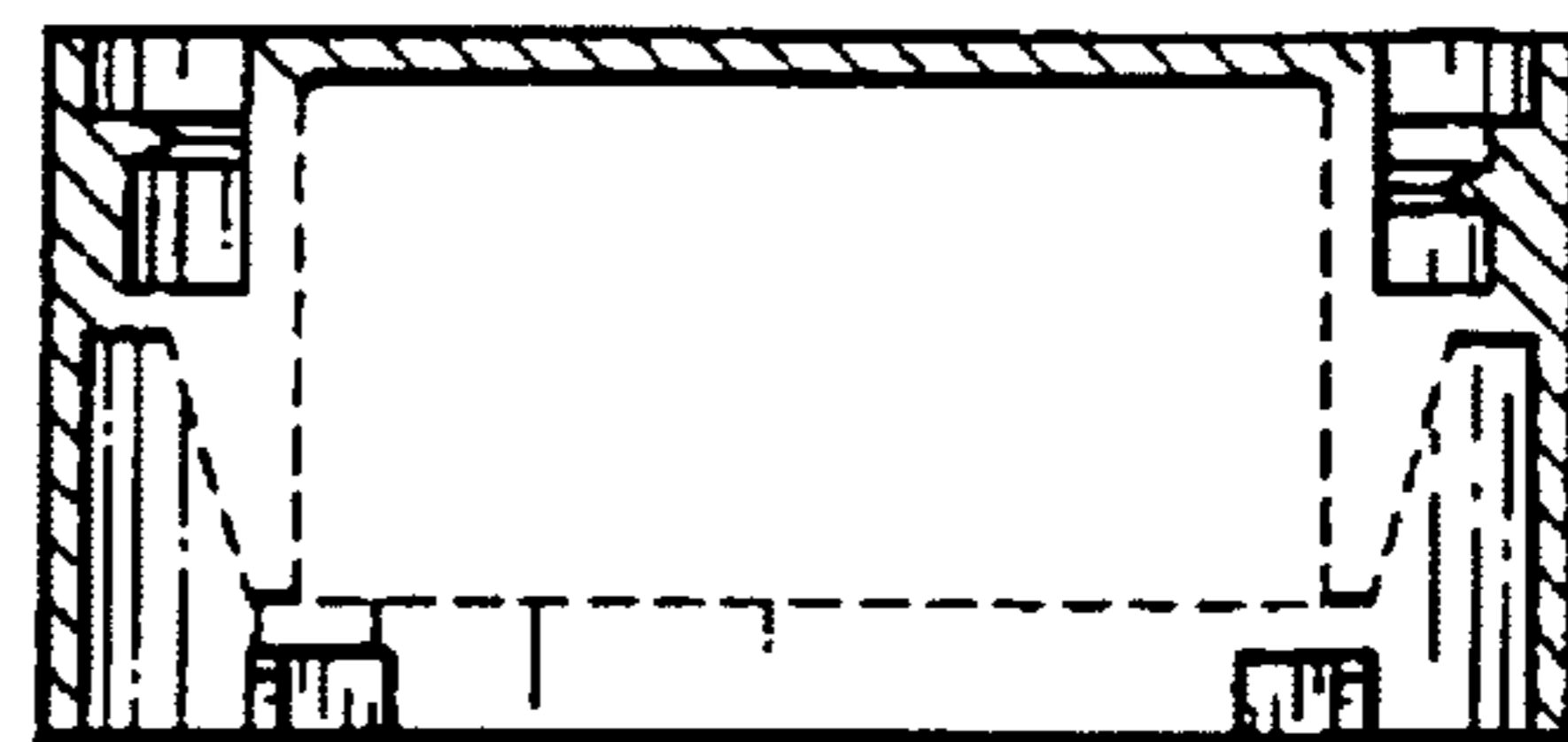


FIG. 5