



US00D492587S1

(12) **United States Design Patent**
Eason

(10) **Patent No.:** **US D492,587 S**
(45) **Date of Patent:** **** Jul. 6, 2004**

(54) **SWIVEL CLAMP FITTING**

(76) **Inventor:** **Donald H. Eason**, 1909 N. County Rd.
11, Fort Collins, CO (US) 80524

(**) **Term:** **14 Years**

(21) **Appl. No.:** **29/174,231**

(22) **Filed:** **Jan. 14, 2003**

(51) **LOC (7) Cl.** **08-08**

(52) **U.S. Cl.** **D8/396**

(58) **Field of Search** 248/122.1, 188.1,
248/125.1, 161, 168, 178.1, 188.7, 405;
D14/229; D6/466; D8/396, 72, 394; D23/245

(56) **References Cited**

U.S. PATENT DOCUMENTS

D180,944 S	9/1957	Fritchle	D8/72
D196,142 S	8/1963	Storm	D8/394
3,581,354 A	* 6/1971	Usiskin	248/122.1
4,760,984 A	8/1988	Hennessey		
5,154,381 A	10/1992	Malinao		
D389,228 S	1/1998	Winterer et al.	D23/245
6,007,032 A	12/1999	Kuo		
D466,109 S	11/2002	Kohler	D14/229

OTHER PUBLICATIONS

Ultimate Support Systems, Inc., file drawing of MC-40B boom, Oct. 28, 2003, Ultimate Support Systems, Inc, Fort Collins, Colorado.

* cited by examiner

Primary Examiner—Louis S. Zarfes
Assistant Examiner—Gregory Andoll

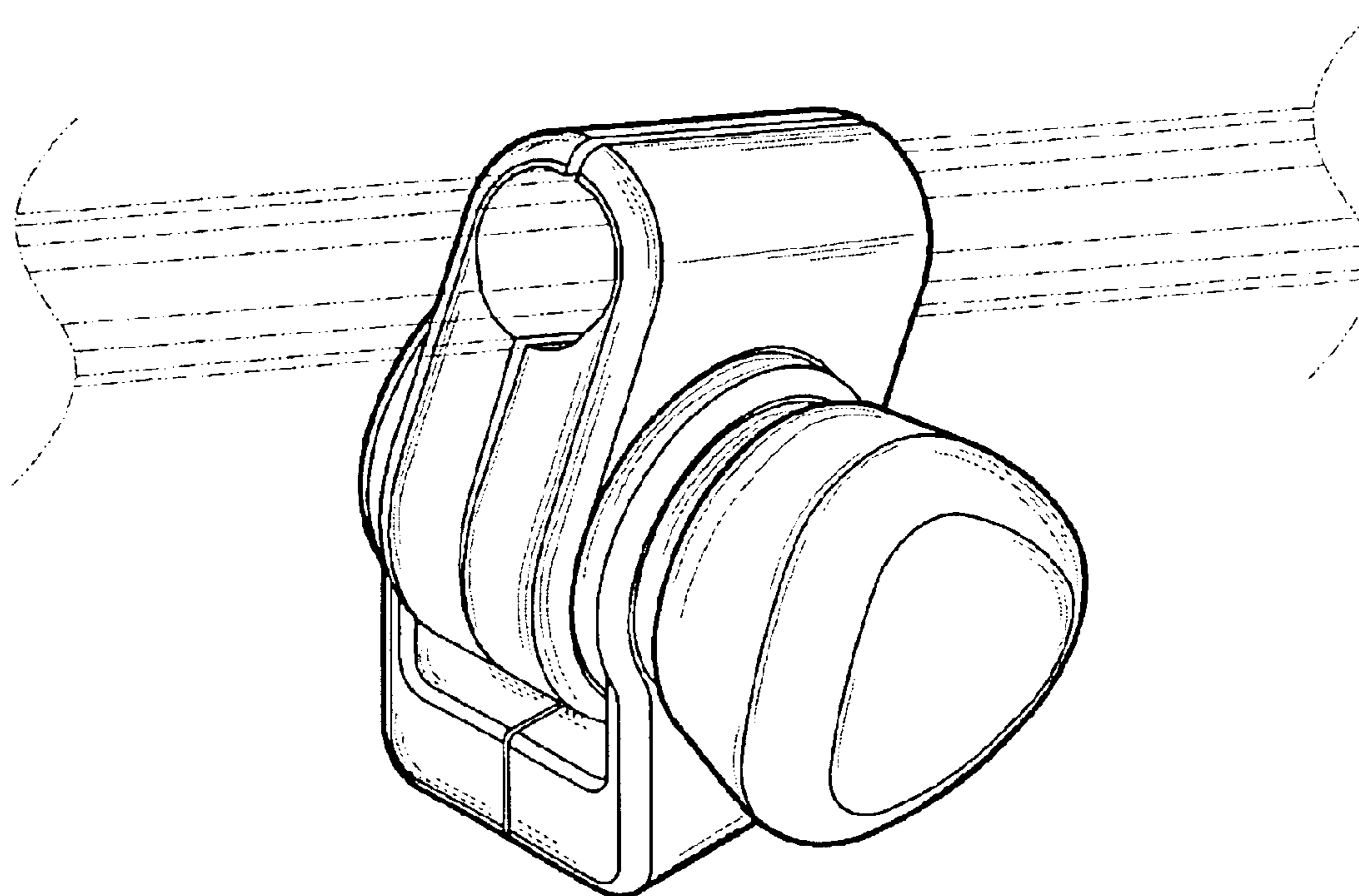
(57) **CLAIM**

The ornamental design for a swivel clamp fitting, as shown and described.

DESCRIPTION

FIG. 1 is a front perspective view of the swivel clamp fitting showing my new design;
FIG. 2 is a back perspective view thereof;
FIG. 3 is a right side elevational view of the swivel clamp fitting;
FIG. 4 is a left side elevational view thereof;
FIG. 5 is a front elevational view of the swivel clamp fitting;
FIG. 6 is a top elevation view of the swivel clamp fitting; and,
FIG. 7 is a bottom elevational view thereof.
In all figures, the broken lines showing the tube on which the swivel clamp fitting is used, is for illustrative purposes only and forms no part of the claimed design.

1 Claim, 7 Drawing Sheets



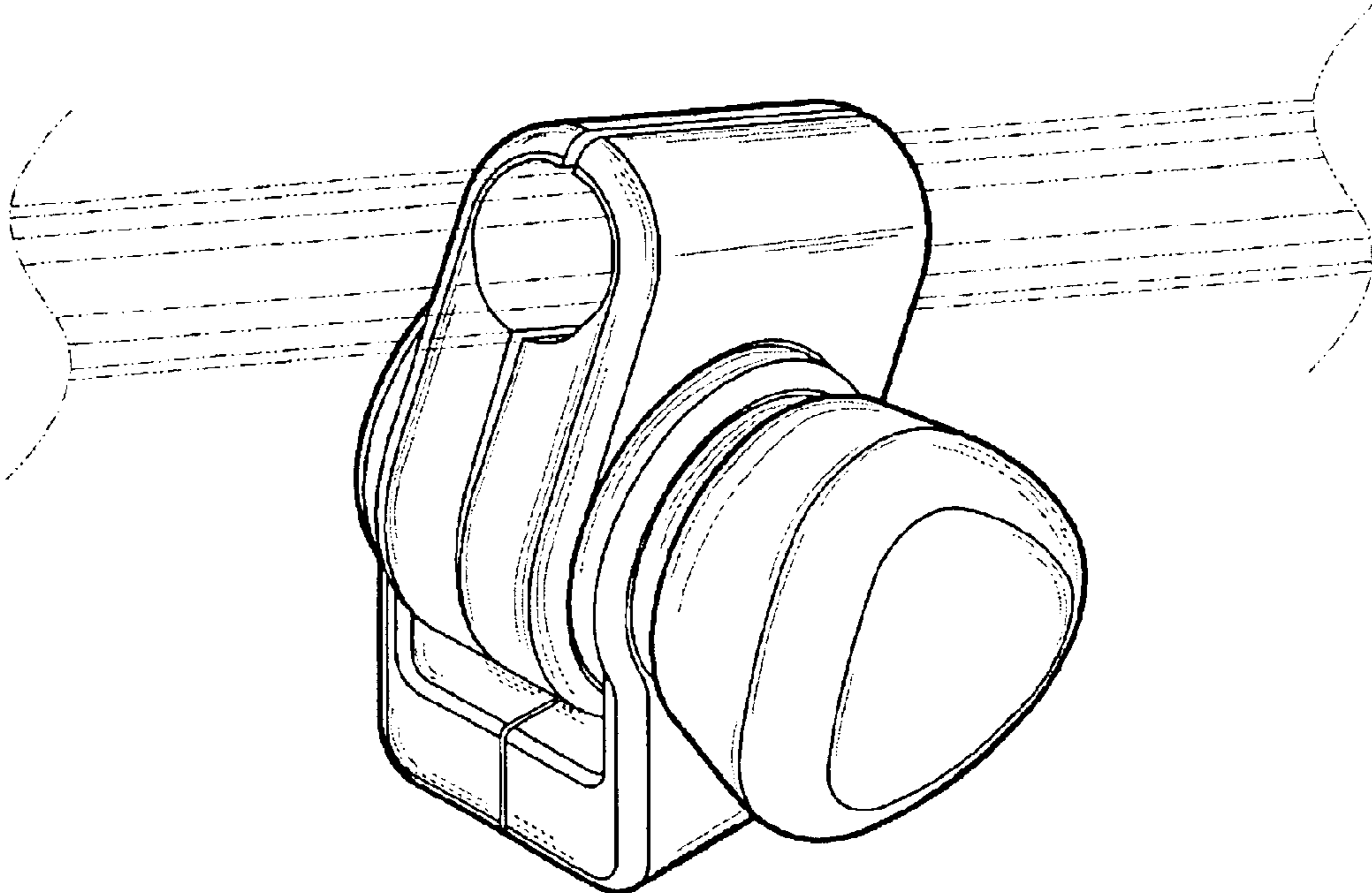


Fig. 1

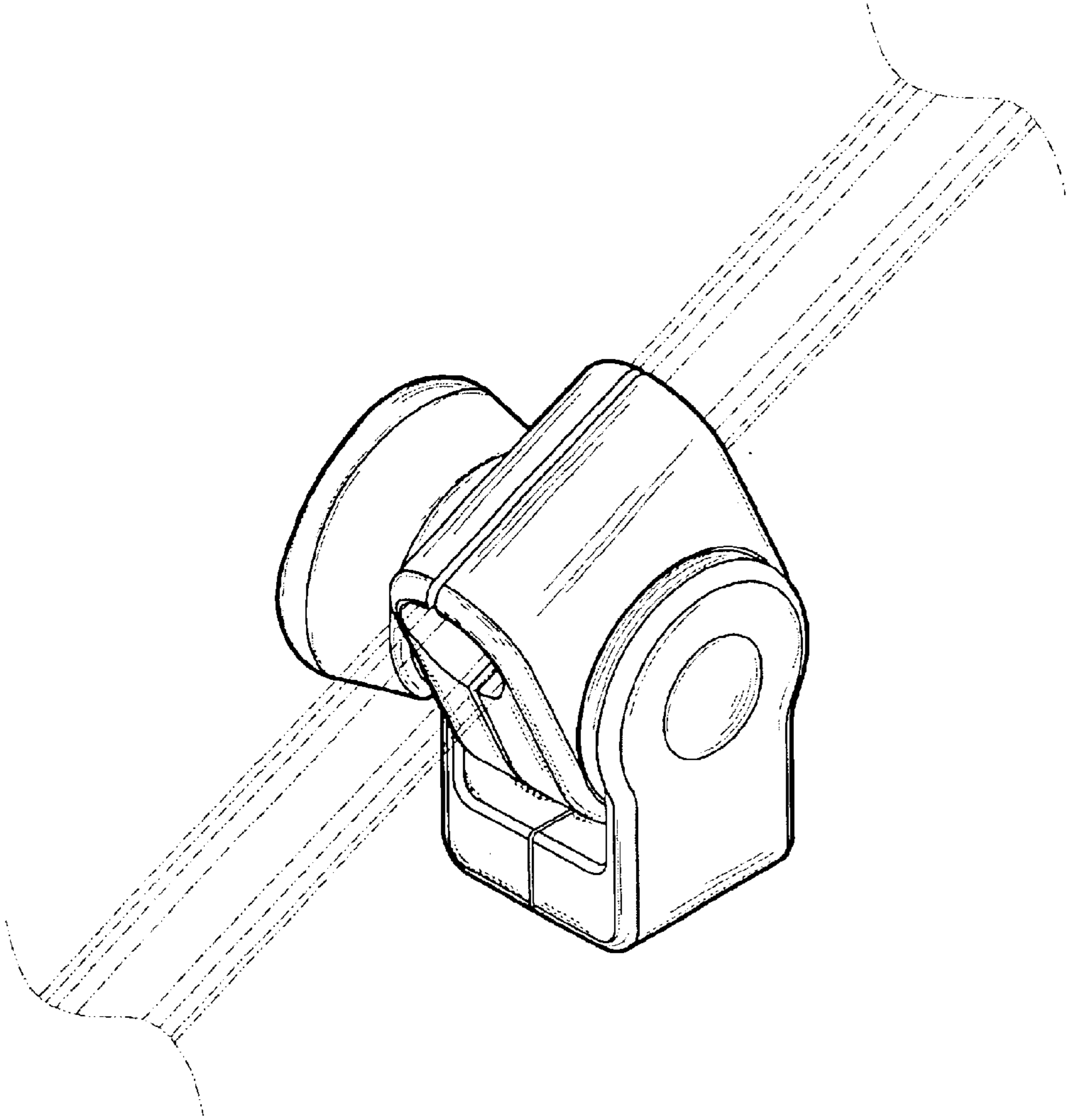


Fig. 2

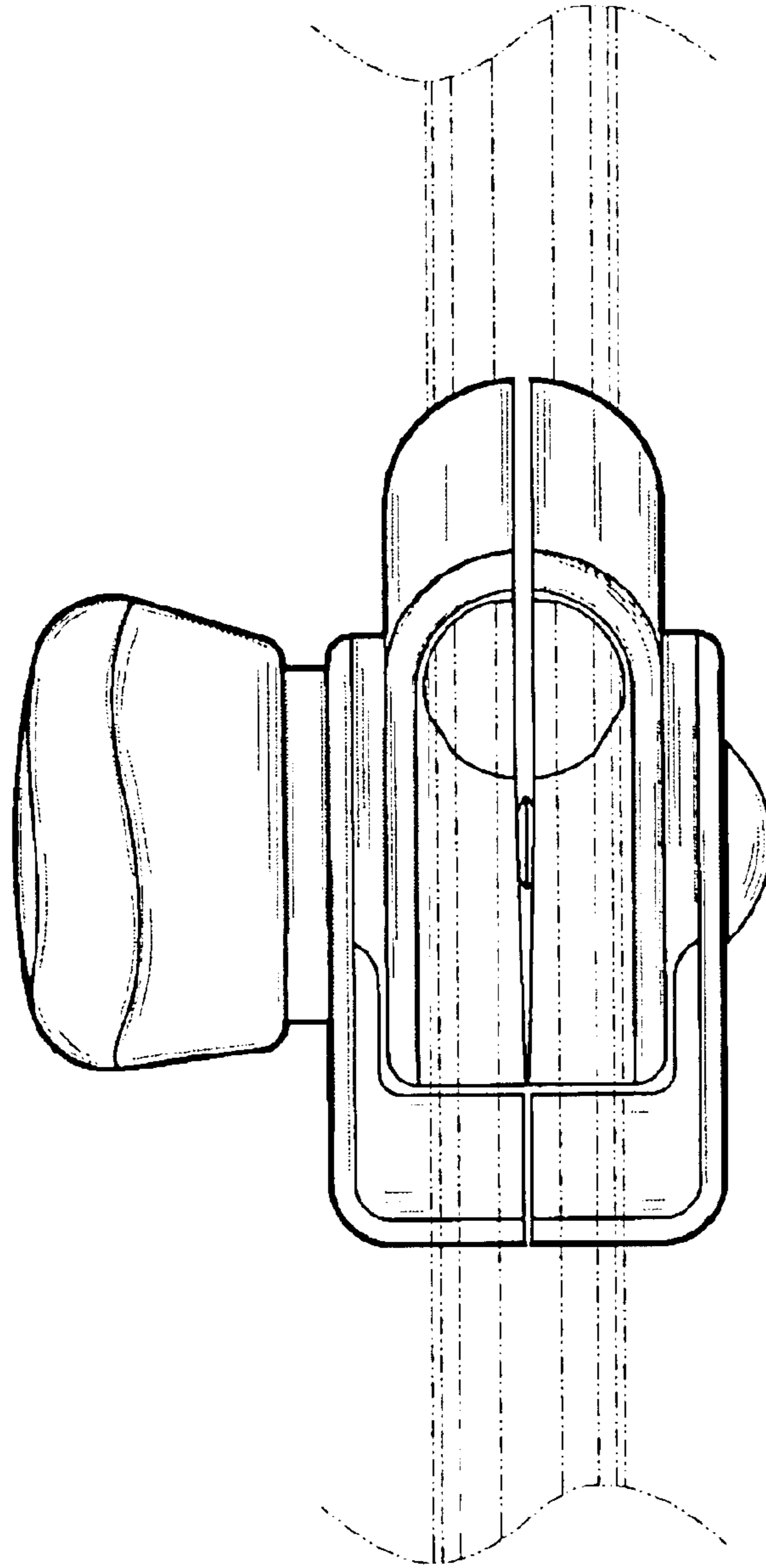


Fig. 3

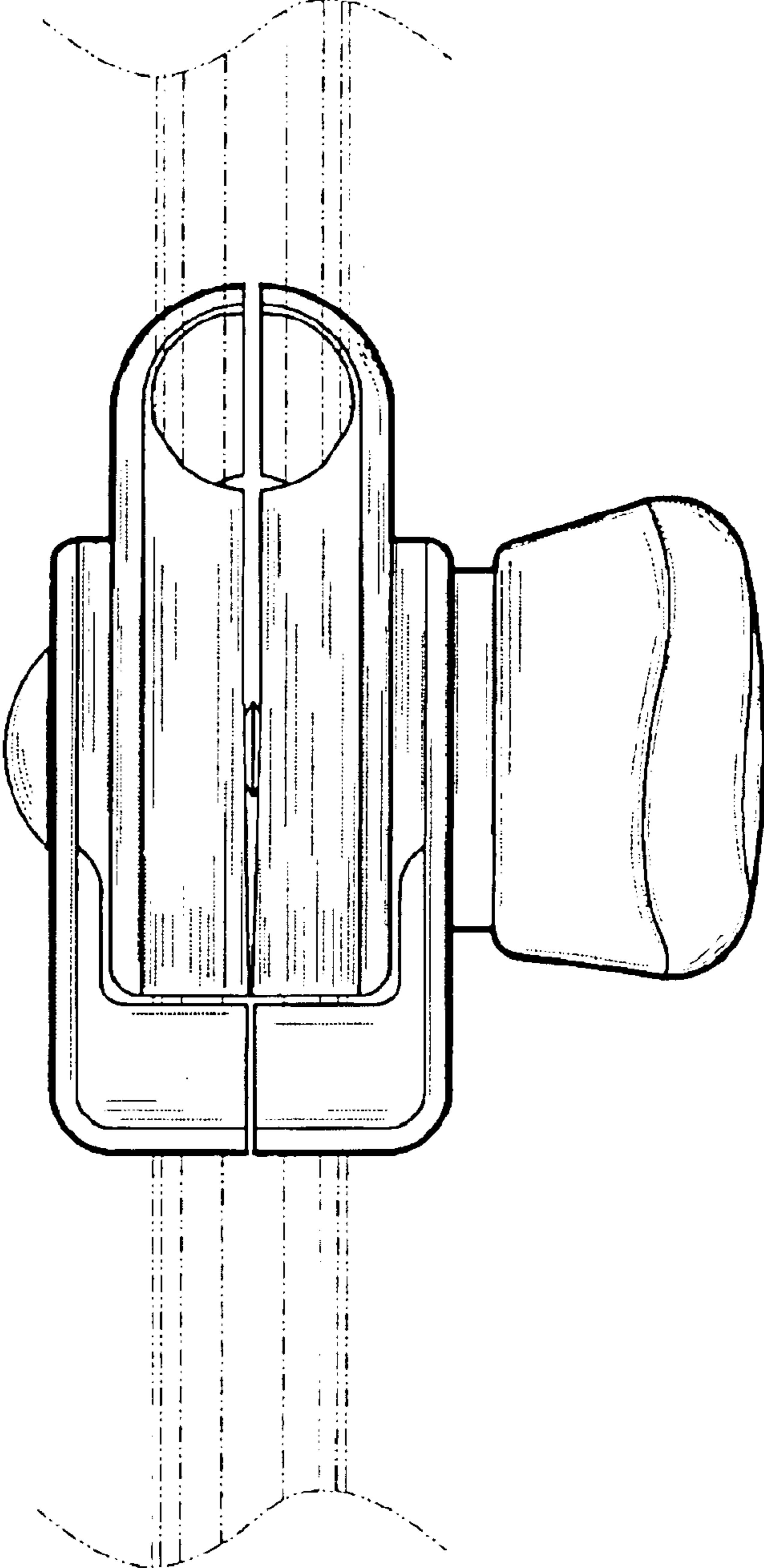


Fig. 4

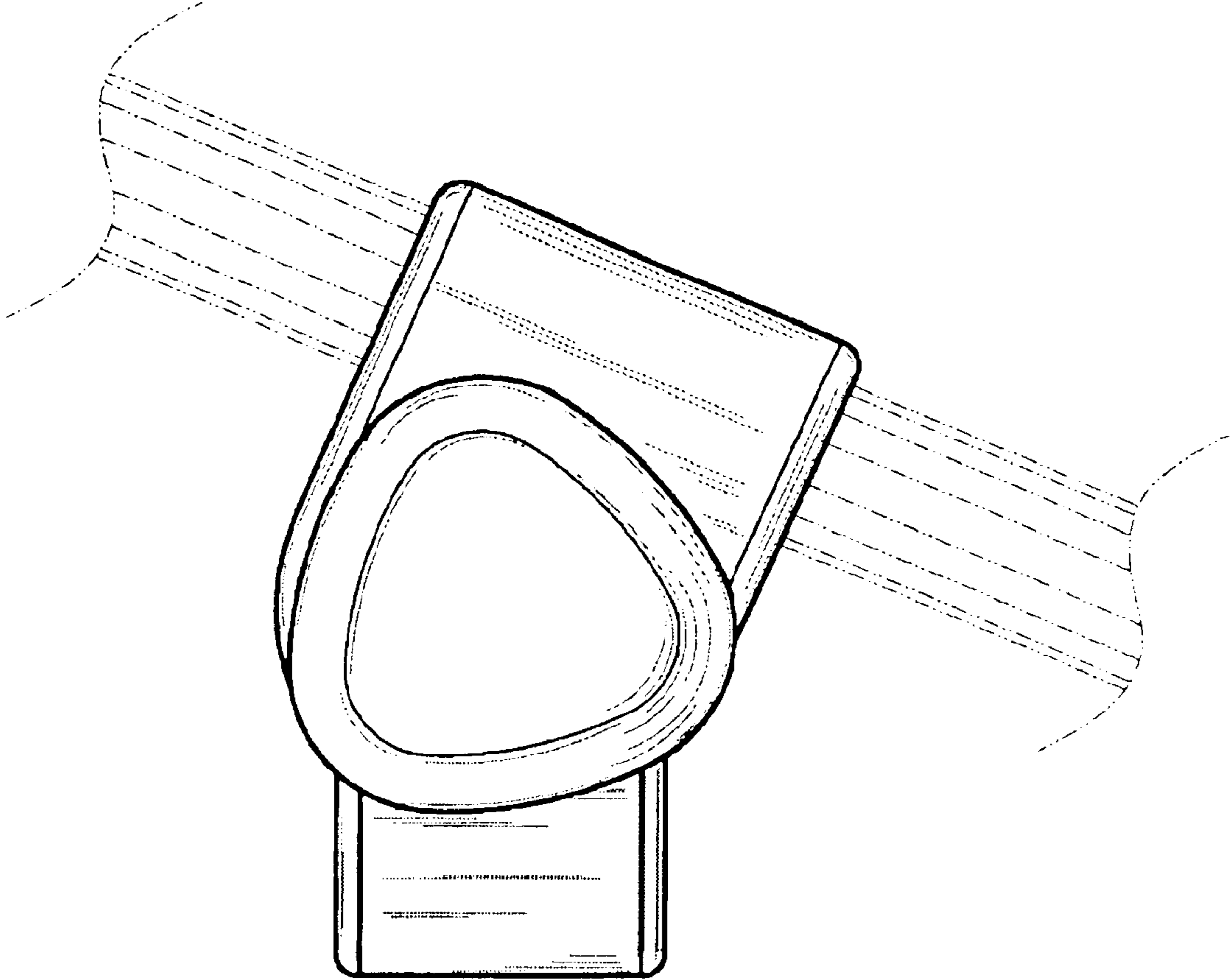


Fig. 5

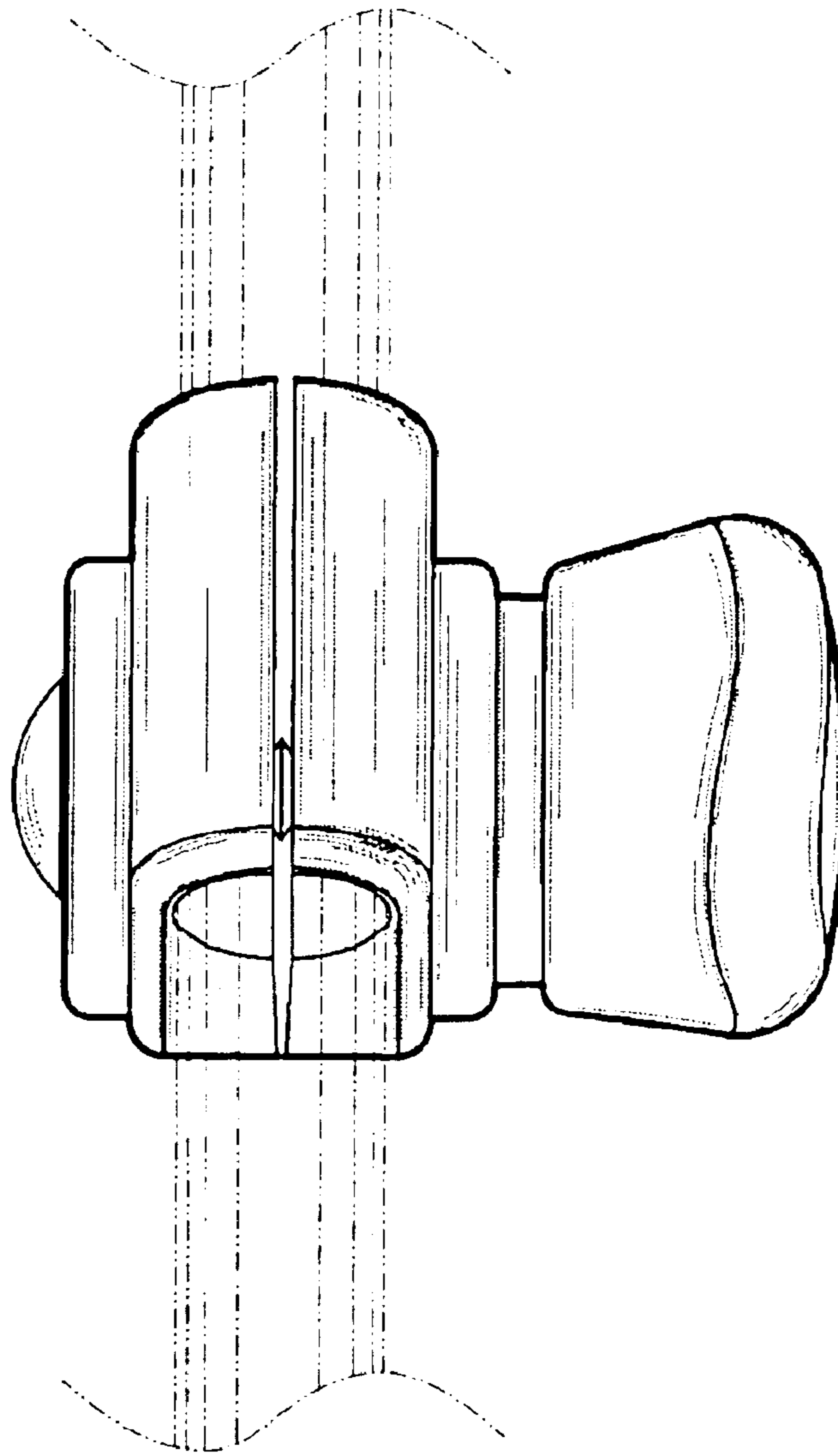


Fig. 6

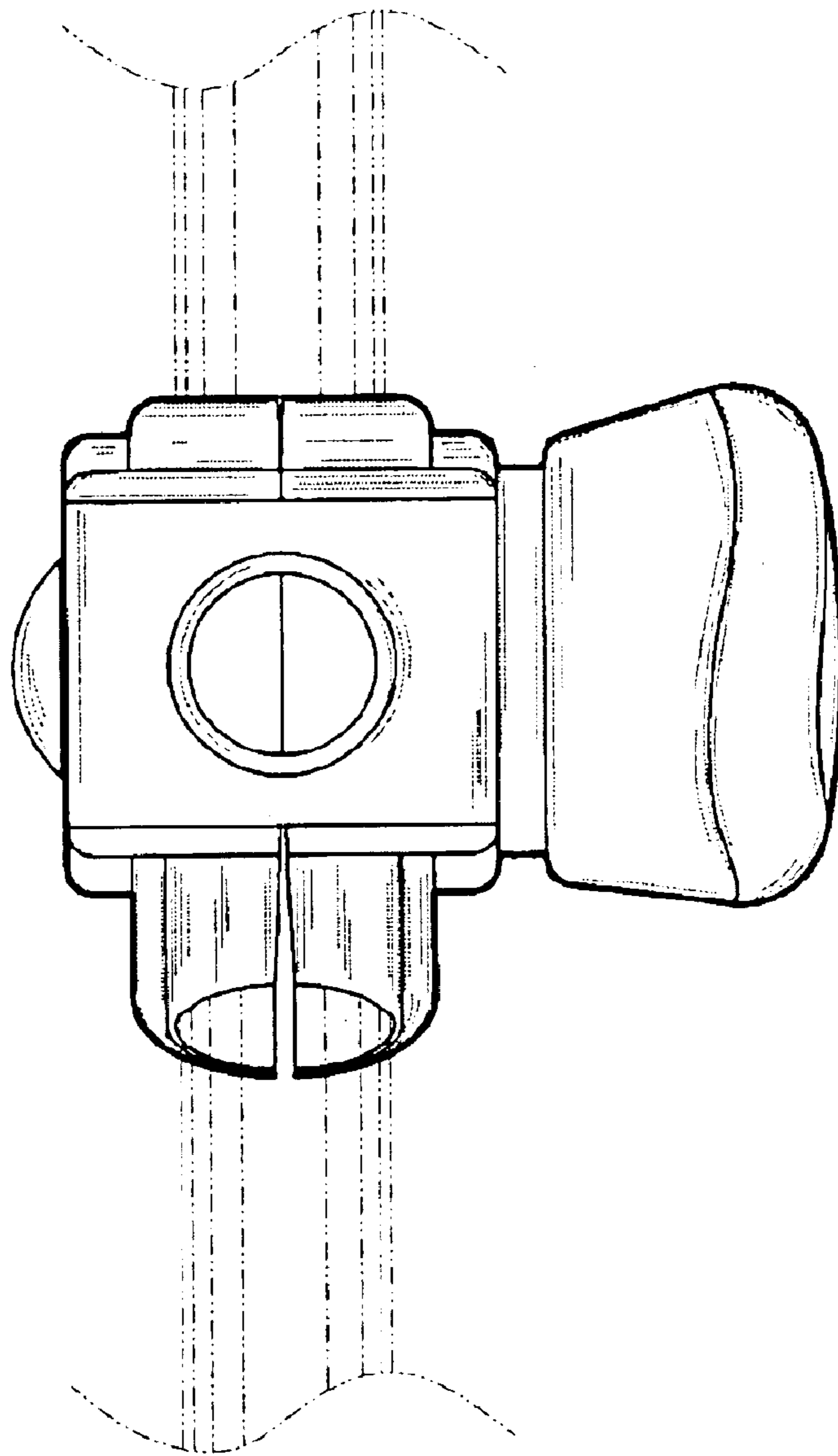


Fig. 7