

US00D492580S1

(12) **United States Design Patent**  
**Tyburk**

(10) **Patent No.:** **US D492,580 S**  
(45) **Date of Patent:** **\*\* Jul. 6, 2004**

(54) **BRACKET FOR HANGING ELONGATED ITEMS**

(76) **Inventor:** **Neil R. Tyburk**, 1250 Grenada NE,  
Canton, OH (US) 44714

(\*\*) **Term:** **14 Years**

(21) **Appl. No.:** **29/195,953**

(22) **Filed:** **Dec. 17, 2003**

(51) **LOC (7) Cl.** ..... **08-05**

(52) **U.S. Cl.** ..... **D8/373**

(58) **Field of Search** ..... D8/373, 354, 349;  
248/300; D6/574; 211/106

(56) **References Cited**

**U.S. PATENT DOCUMENTS**

2,613,817 A	*	10/1952	Kenney	.....	211/106
D188,221 S	*	6/1960	Maro	.....	D6/574
D300,206 S	*	3/1989	Basile	.....	D8/373
D392,176 S	*	3/1998	Orser	.....	D8/373

\* cited by examiner

*Primary Examiner*—Holly Baynham

(74) *Attorney, Agent, or Firm*—Sand & Sebolt

(57) **CLAIM**

The ornamental design for the bracket for hanging elongated items, as shown and described.

**DESCRIPTION**

FIG. 1 is a perspective view of the bracket of the first embodiment of the present invention;

FIG. 2 is a front elevational view of the bracket shown in FIG. 1;

FIG. 3 is a rear elevational view of the bracket shown in FIG. 1;

FIG. 4 is a top plan view of the bracket shown in FIG. 1;

FIG. 5 is a bottom plan view of the bracket shown in FIG. 1;

FIG. 6 is a right side elevational view of the bracket shown in FIG. 1;

FIG. 7 is a left side elevational view of the bracket shown in FIG. 1;

FIG. 8 is a perspective view of the bracket of the second embodiment of the present invention;

FIG. 9 is a front elevational view of the bracket shown in FIG. 8;

FIG. 10 is a rear elevational view of the bracket shown in FIG. 8;

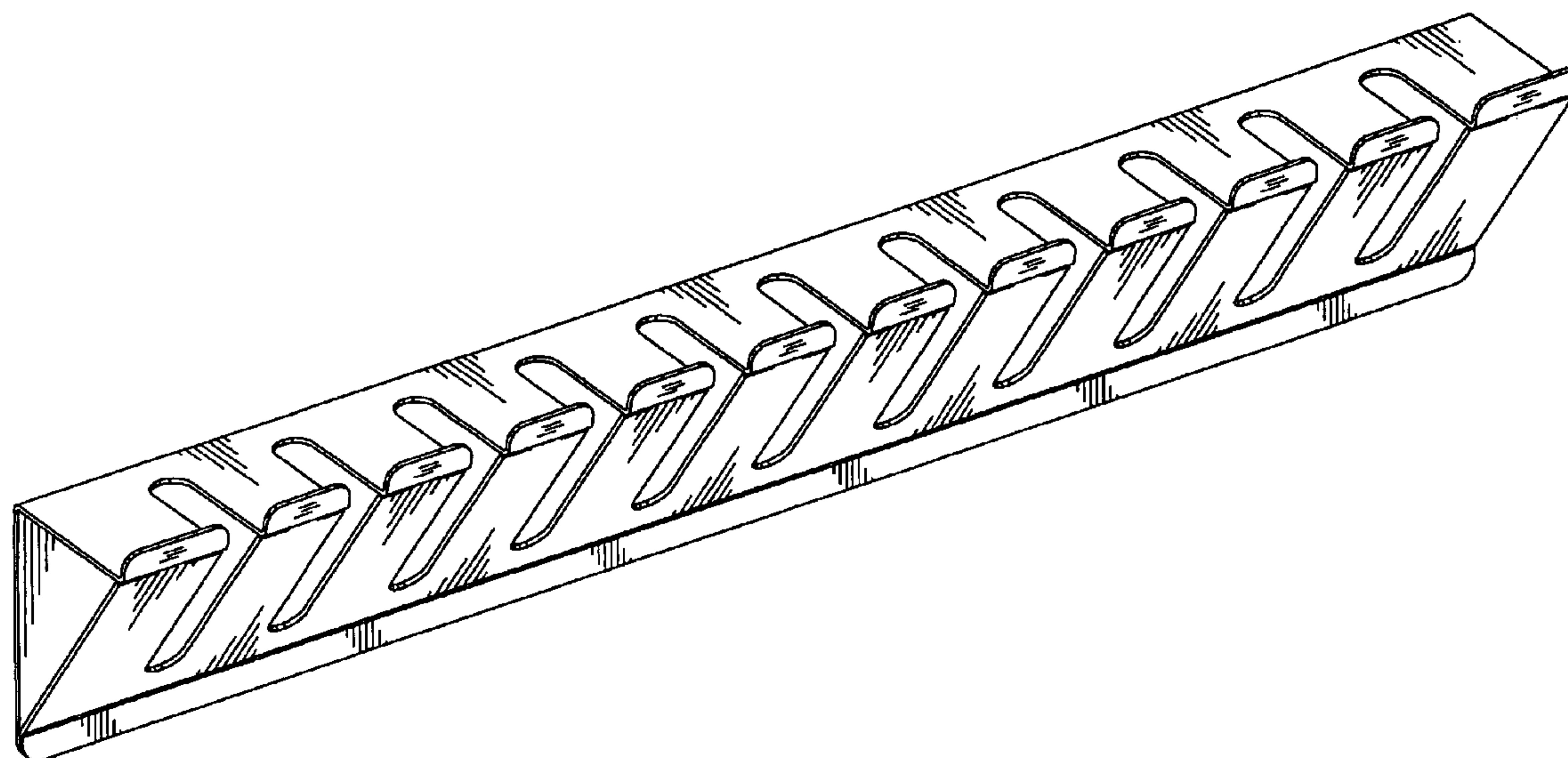
FIG. 11 is a top plan view of the bracket shown in FIG. 8;

FIG. 12 is a bottom plan view of the bracket shown in FIG. 8;

FIG. 13 is a right side elevational view of the bracket shown in FIG. 8; and,

FIG. 14 is a left side elevational view of the bracket shown in FIG. 8.

**1 Claim, 6 Drawing Sheets**



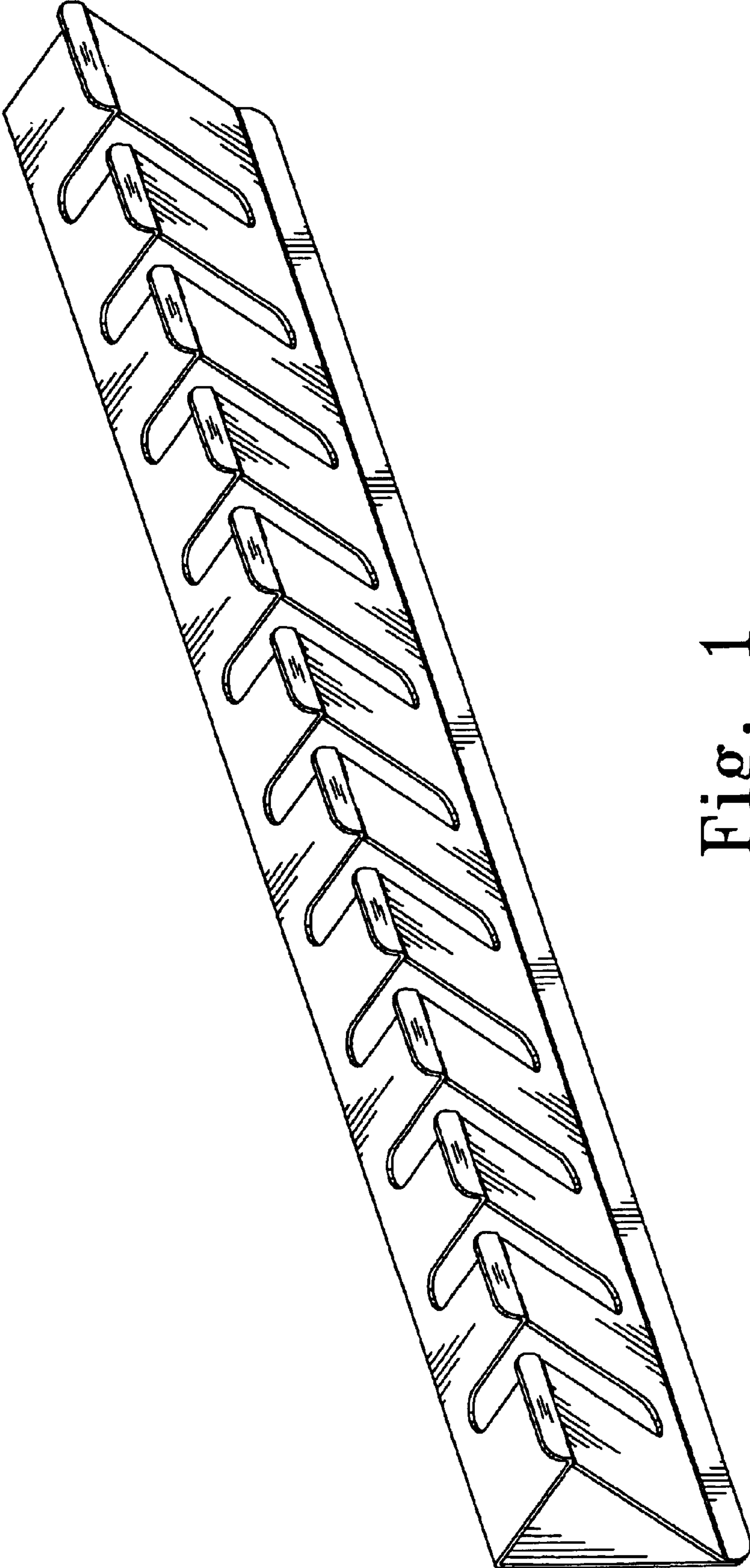


Fig. 1

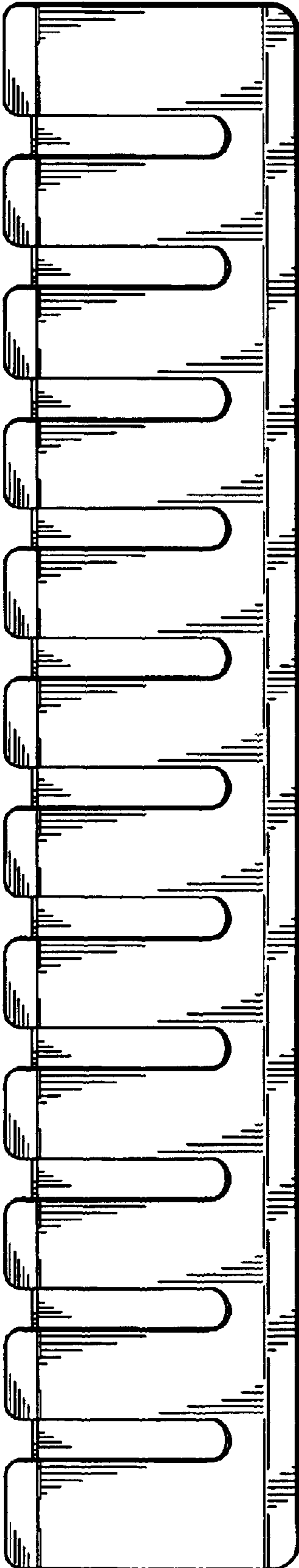


Fig. 2

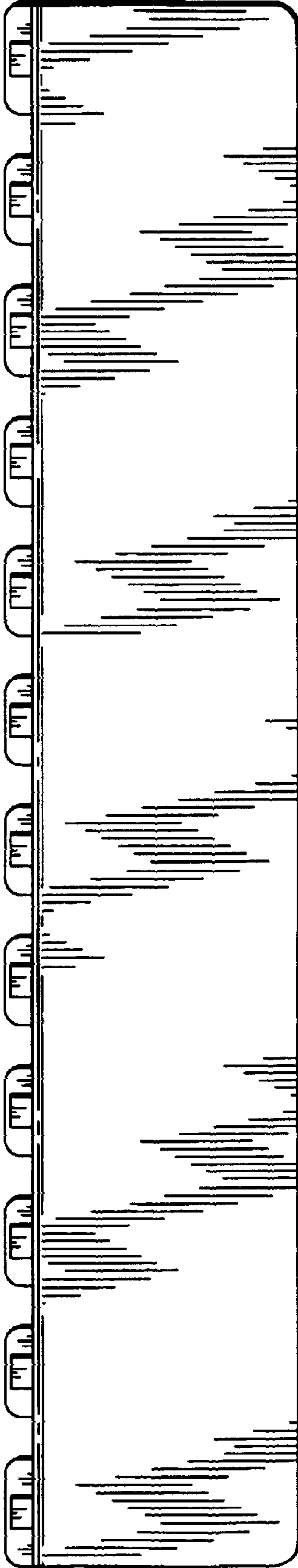


Fig. 3

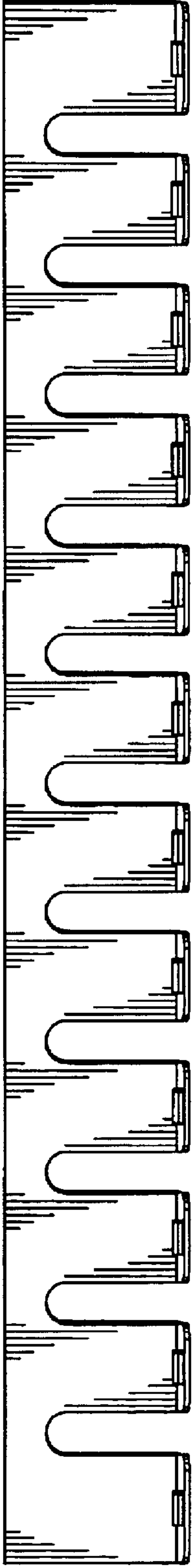


Fig. 4

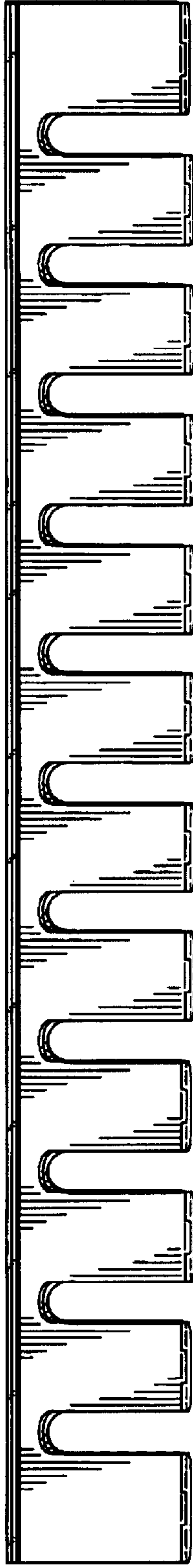


Fig. 5

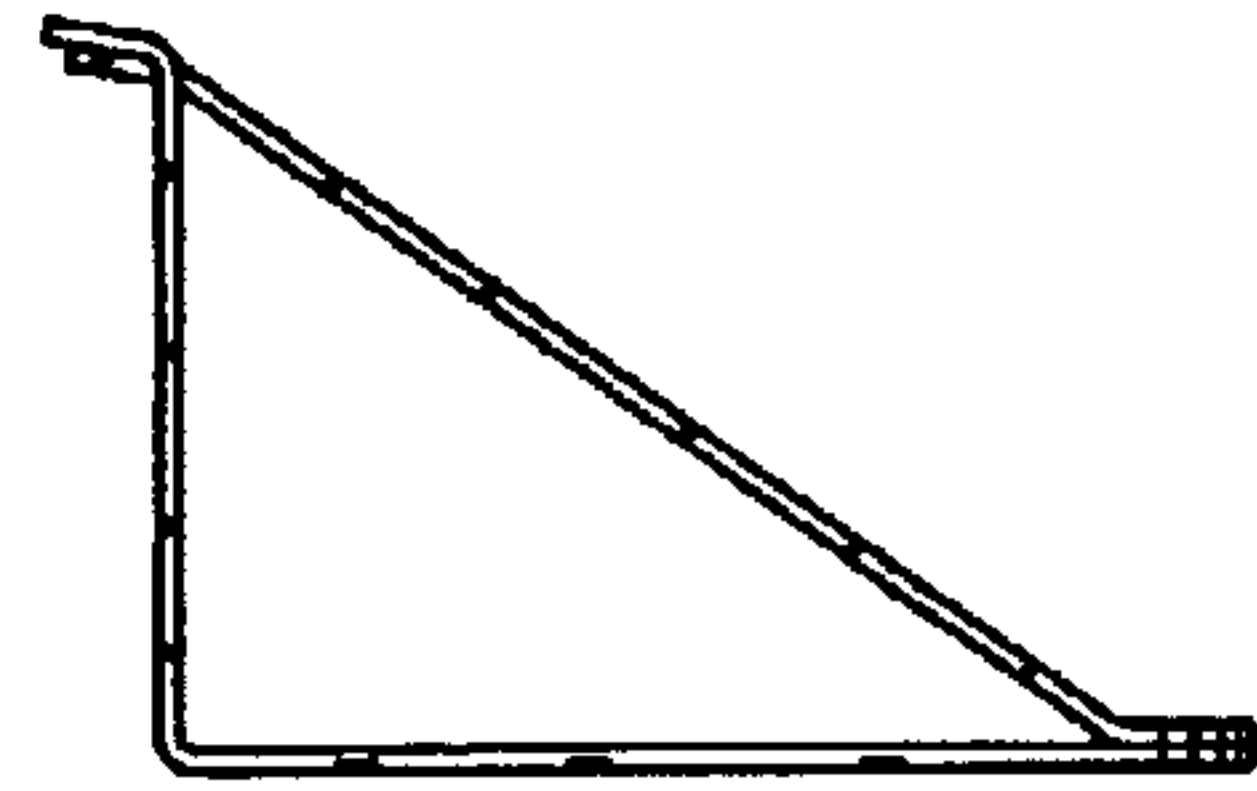


Fig. 6

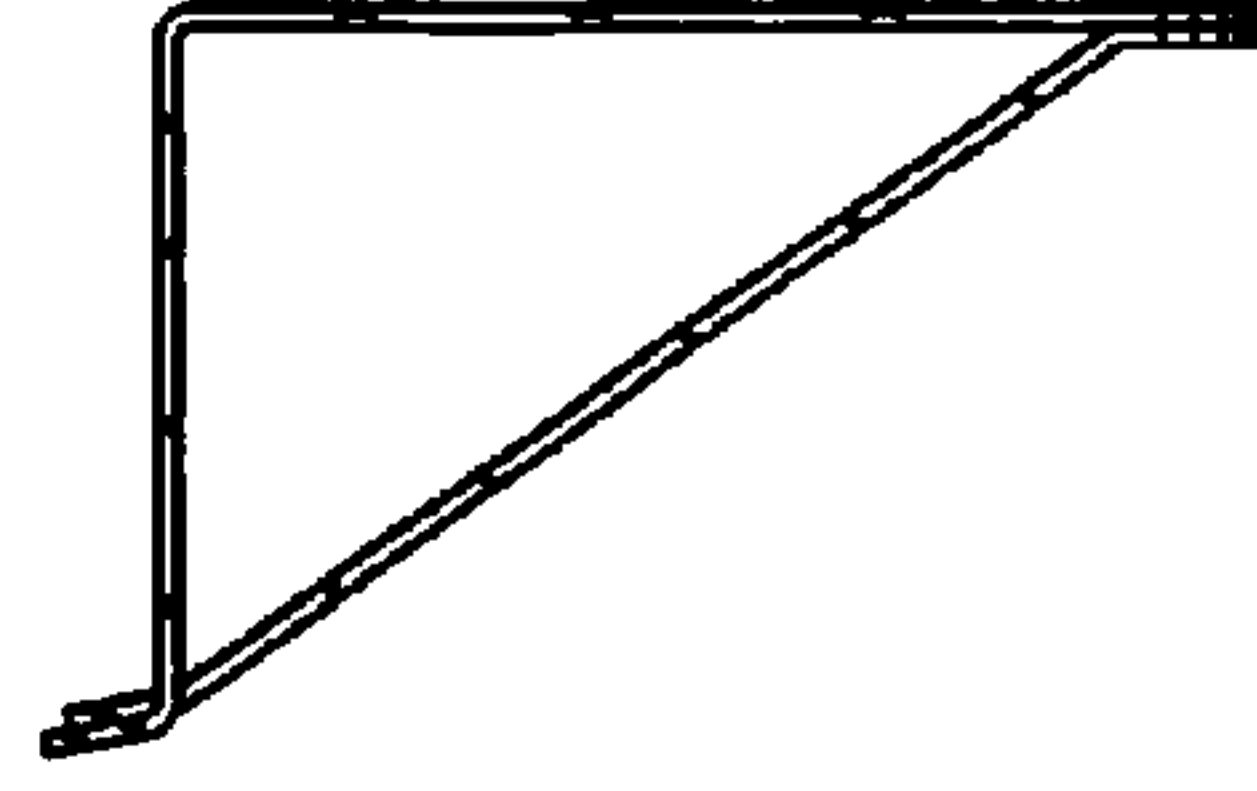


Fig. 7



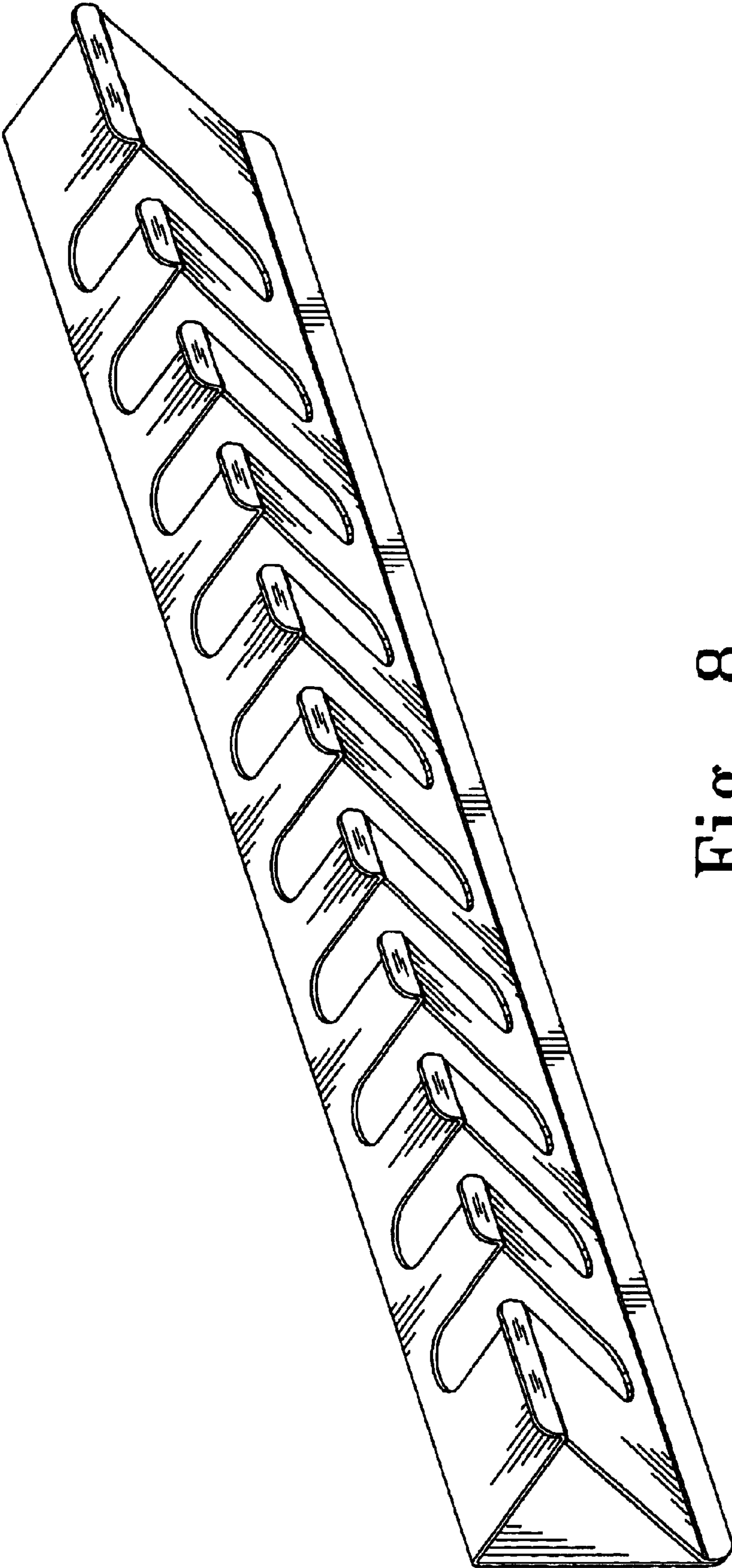


Fig. 8

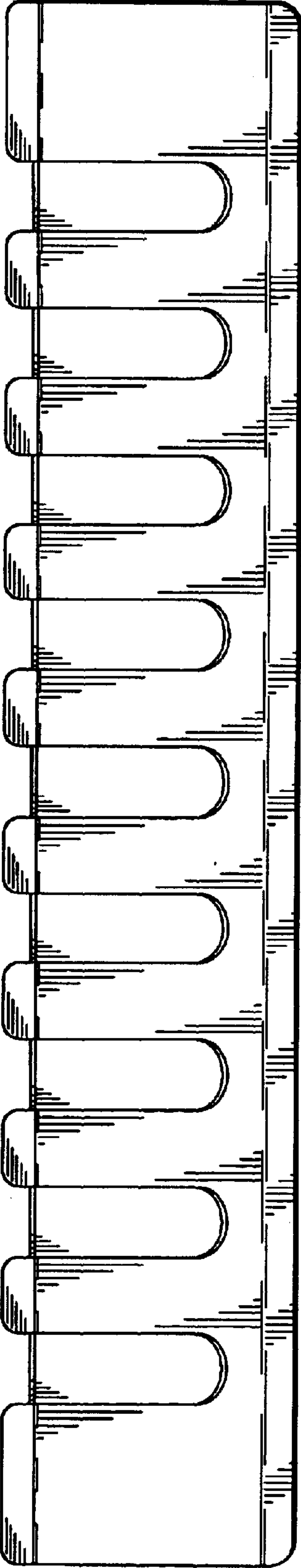


Fig. 9

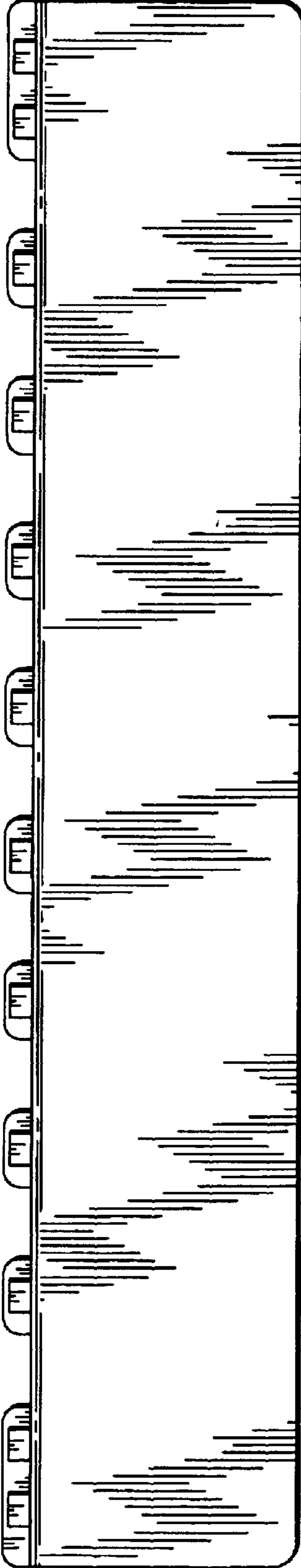


Fig. 10

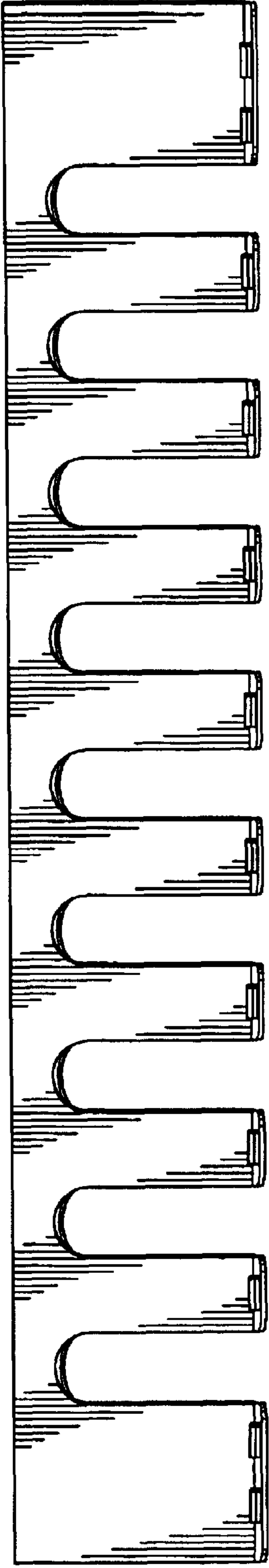


Fig. 11

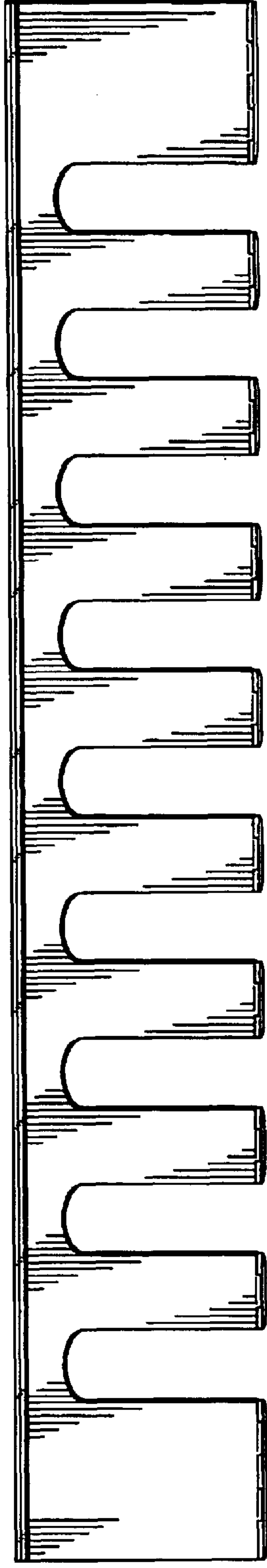


Fig. 12

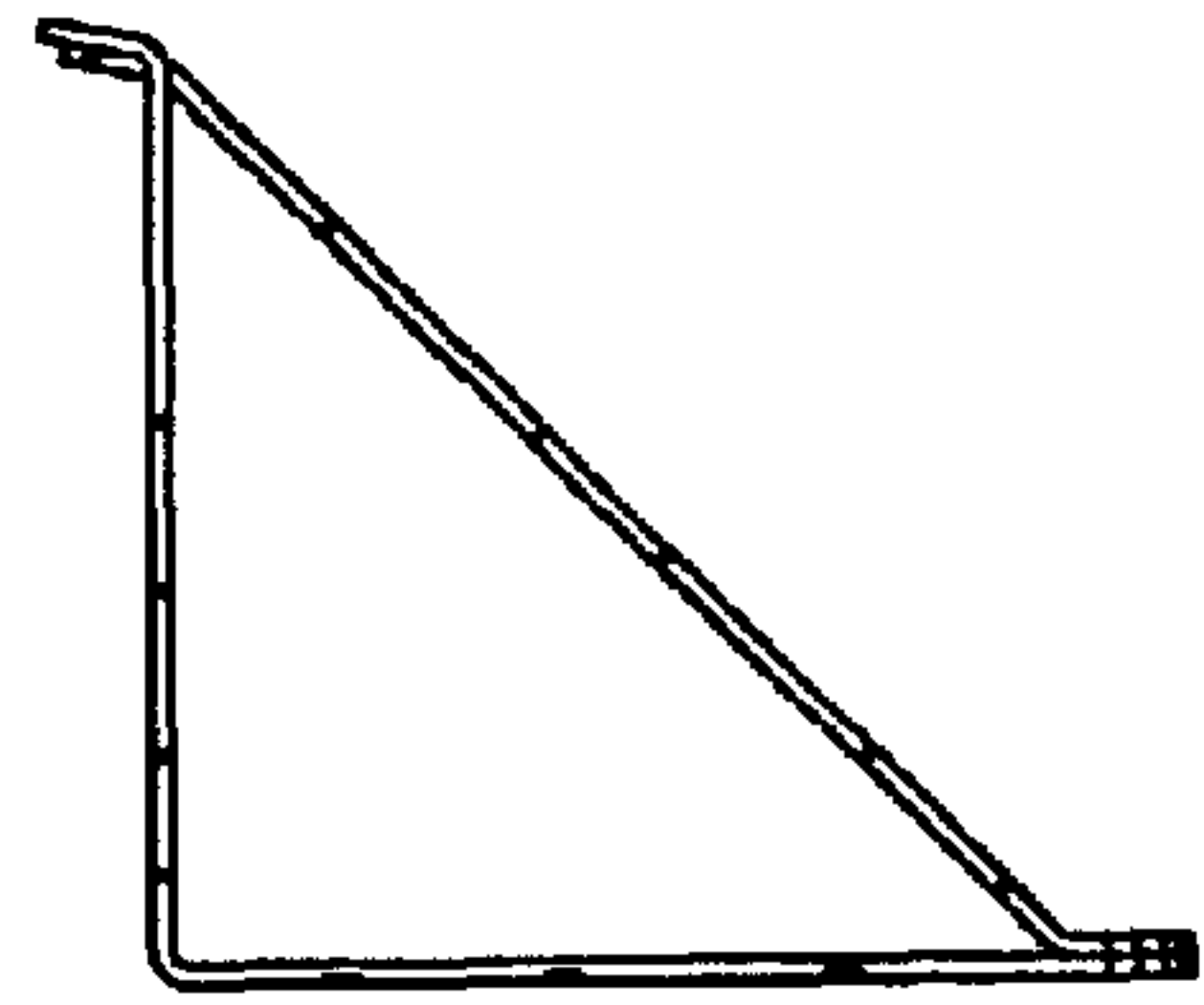


Fig. 13

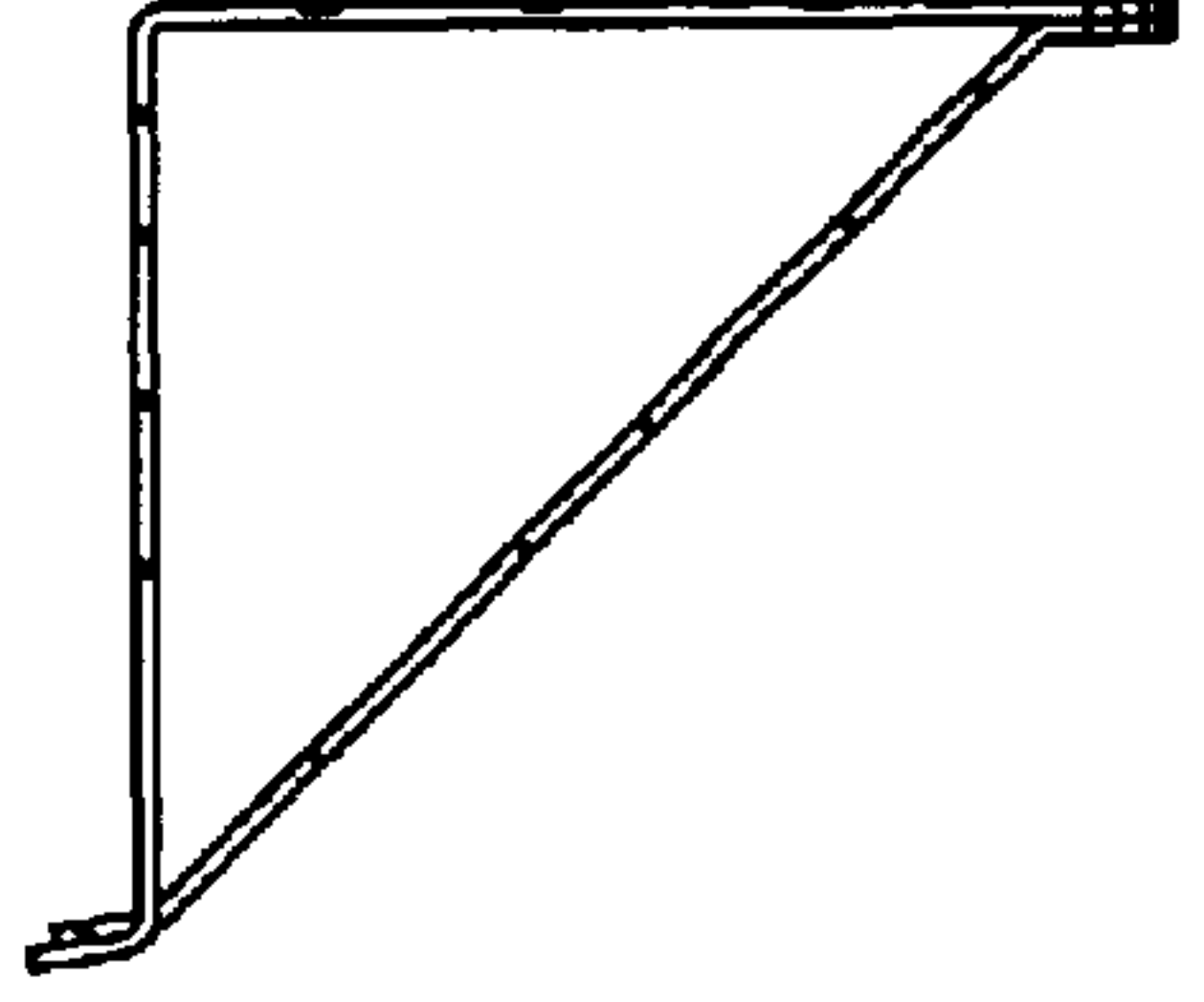


Fig. 14