



US00D492579S1

(12) **United States Design Patent**  
**Hodjat**

(10) **Patent No.:** **US D492,579 S**  
(45) **Date of Patent:** **\*\* Jul. 6, 2004**

(54) <b>PULLEY</b>	5,318,479 A	6/1994	Lawroski	474/130
	5,720,685 A *	2/1998	Malone	474/190
(75) <b>Inventor: Yahya Hodjat, Oxford, MI (US)</b>	6,033,331 A	3/2000	Winninger et al.	474/260
	D436,023 S	1/2001	Johnson	D8/360
(73) <b>Assignee: The Gates Corporation, Denver, CO (US)</b>	D459,197 S	6/2002	Hodjat	D8/360
	D459,198 S	6/2002	Hodjat	D8/360
	D481,615 S *	11/2003	Hodjat et al.	D8/360
(**) <b>Term: 14 Years</b>	6,692,391 B2 *	2/2004	Gerring et al.	474/130
	2003/0176248 A1 *	9/2003	De Meester et al.	474/130

(21) **Appl. No.: 29/191,925**

(22) **Filed: Oct. 15, 2003**

(51) **LOC (7) Cl. .... 08-05**

(52) **U.S. Cl. .... D8/360**

(58) **Field of Search** ..... D8/360; D23/386;  
29/892.1, 892.11, 892, 892.3; 72/82; 474/94,  
166, 168, 169, 170, 174, 175, 177, 178,  
179, 180, 181, 182, 183, 184, 190, 902,  
903

(56) **References Cited**

**U.S. PATENT DOCUMENTS**

758,081 A	4/1904	Kottusch	
798,238 A	8/1905	Vokel	
2,499,173 A	2/1950	Taylor	
3,172,195 A *	3/1965	Wentling	29/892.11
4,109,544 A	8/1978	Clark	74/242.7
4,111,063 A	9/1978	Journey	74/242.6
4,177,685 A *	12/1979	DeLancey	474/113
4,193,310 A	3/1980	Boyer et al.	74/230.3
4,325,703 A	4/1982	Phillips	474/130
D308,012 S	5/1990	Kanemitsu	D8/360
D308,013 S	5/1990	Kanemitsu	D8/360
D320,927 S	10/1991	Kanemitsu	D8/360
D347,378 S *	5/1994	Warner	D8/360

**FOREIGN PATENT DOCUMENTS**

DE	349625	3/1922	
EP	0831247 B1	8/1999	F16G/5/20
EP	1089016 A1	4/2001	F16H/7/22
FR	8372	3/1908	
GB	17352	5/1911	

\* cited by examiner

*Primary Examiner*—James Gandy

*Assistant Examiner*—Elizabeth Albert

(74) *Attorney, Agent, or Firm*—J. A. Thurnau, Esq.; C. H. Castleman, Esq.; S. G. Austin, Esq.

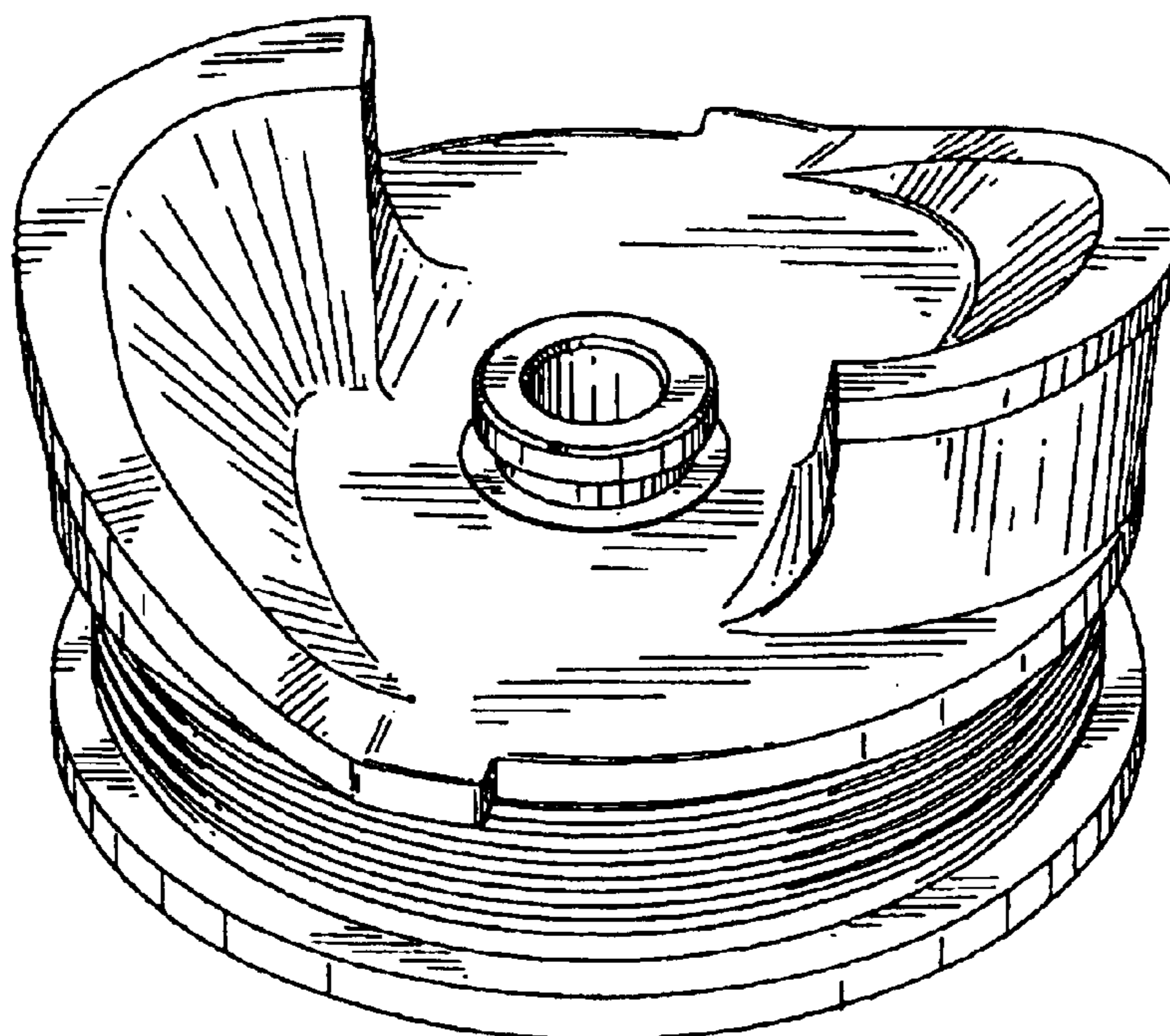
(57) **CLAIM**

The ornamental design for a pulley, as shown and described.

**DESCRIPTION**

FIG. 1 is a rear elevation view.  
FIG. 2 is a front elevation view.  
FIG. 3 is a top plan view.  
FIG. 4 is a side plan view.  
FIG. 5 is a rear perspective view; and,  
FIG. 6 is a front perspective view.

**1 Claim, 3 Drawing Sheets**



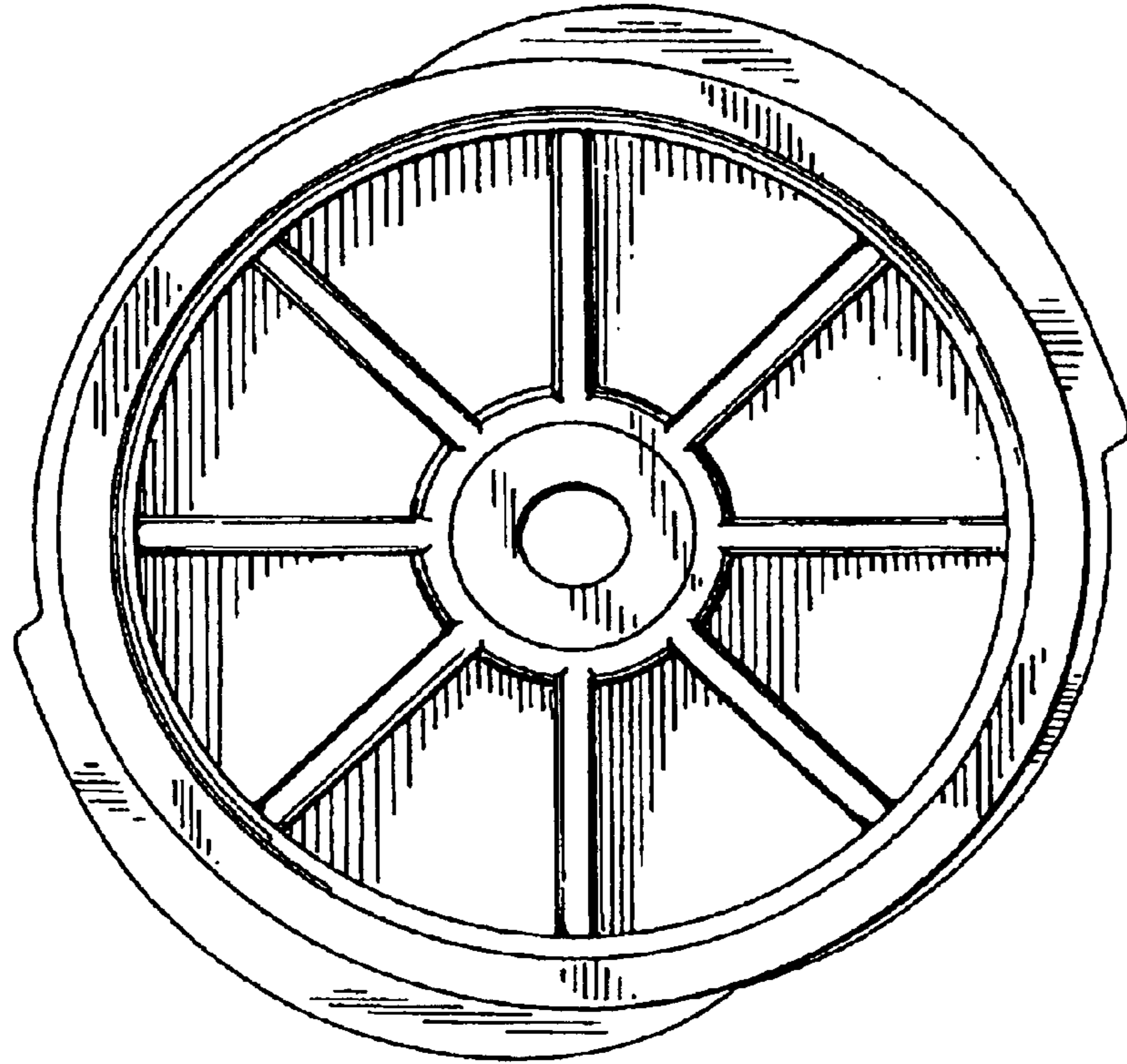


FIG. 1

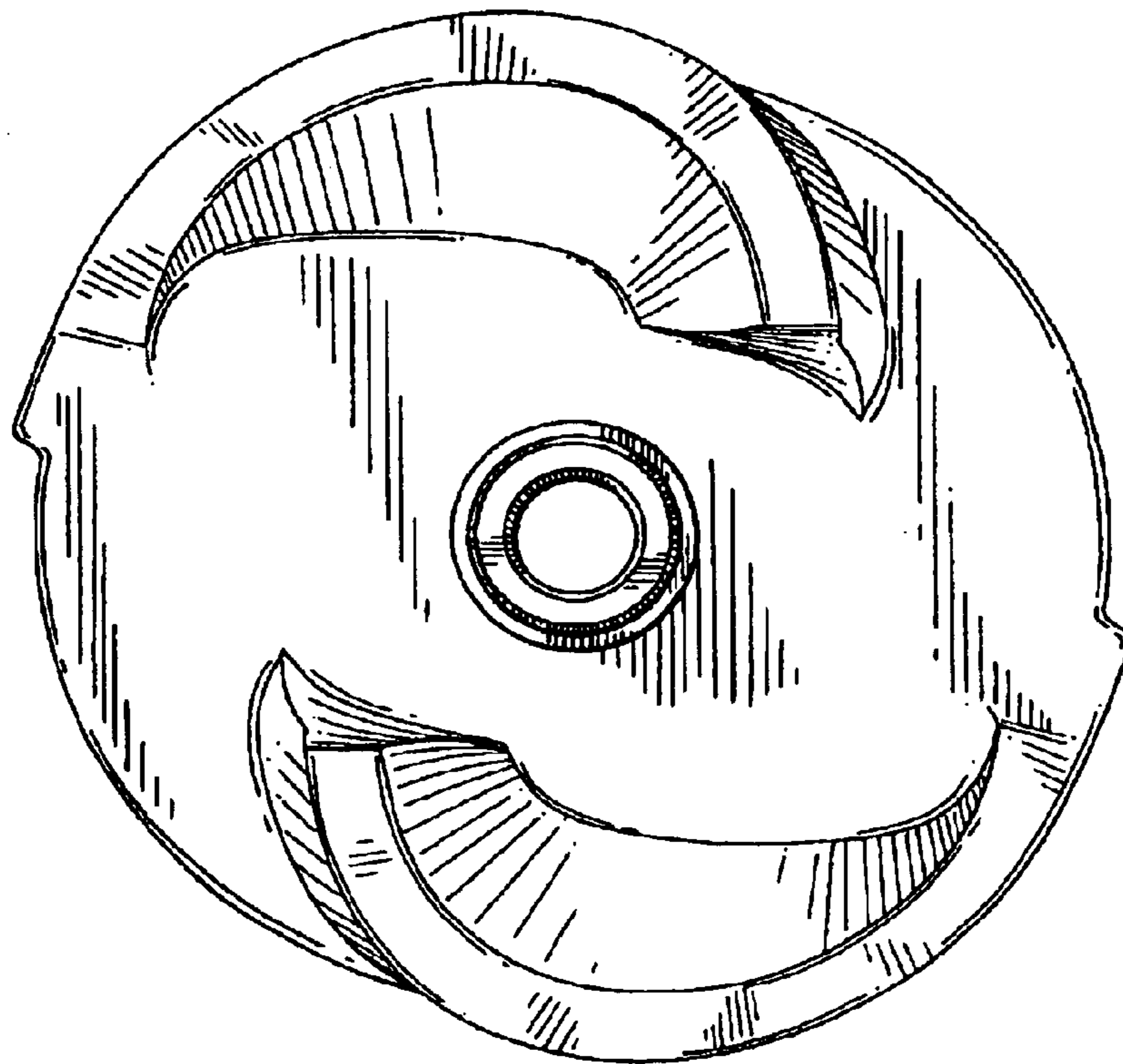


FIG. 2

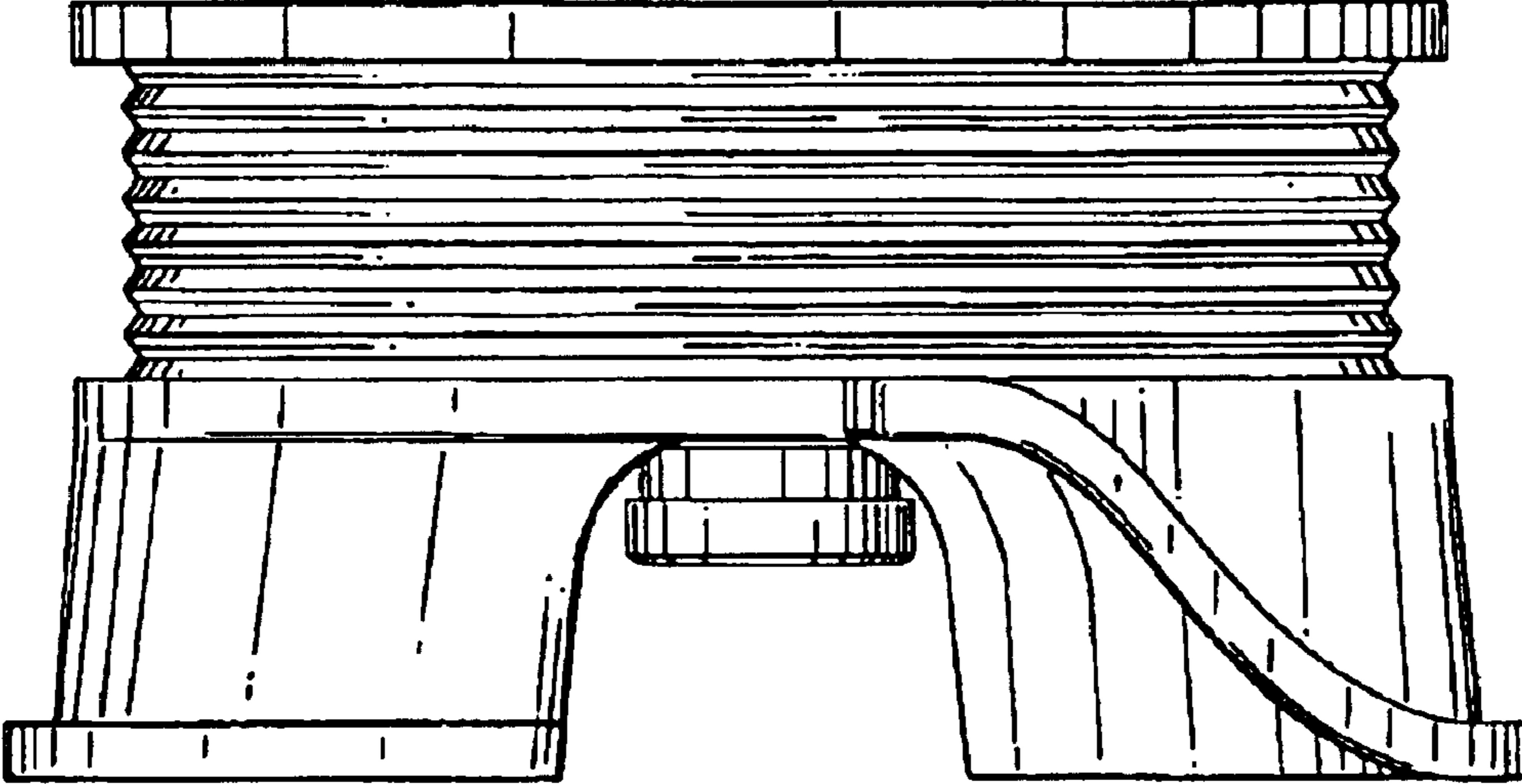


FIG. 3

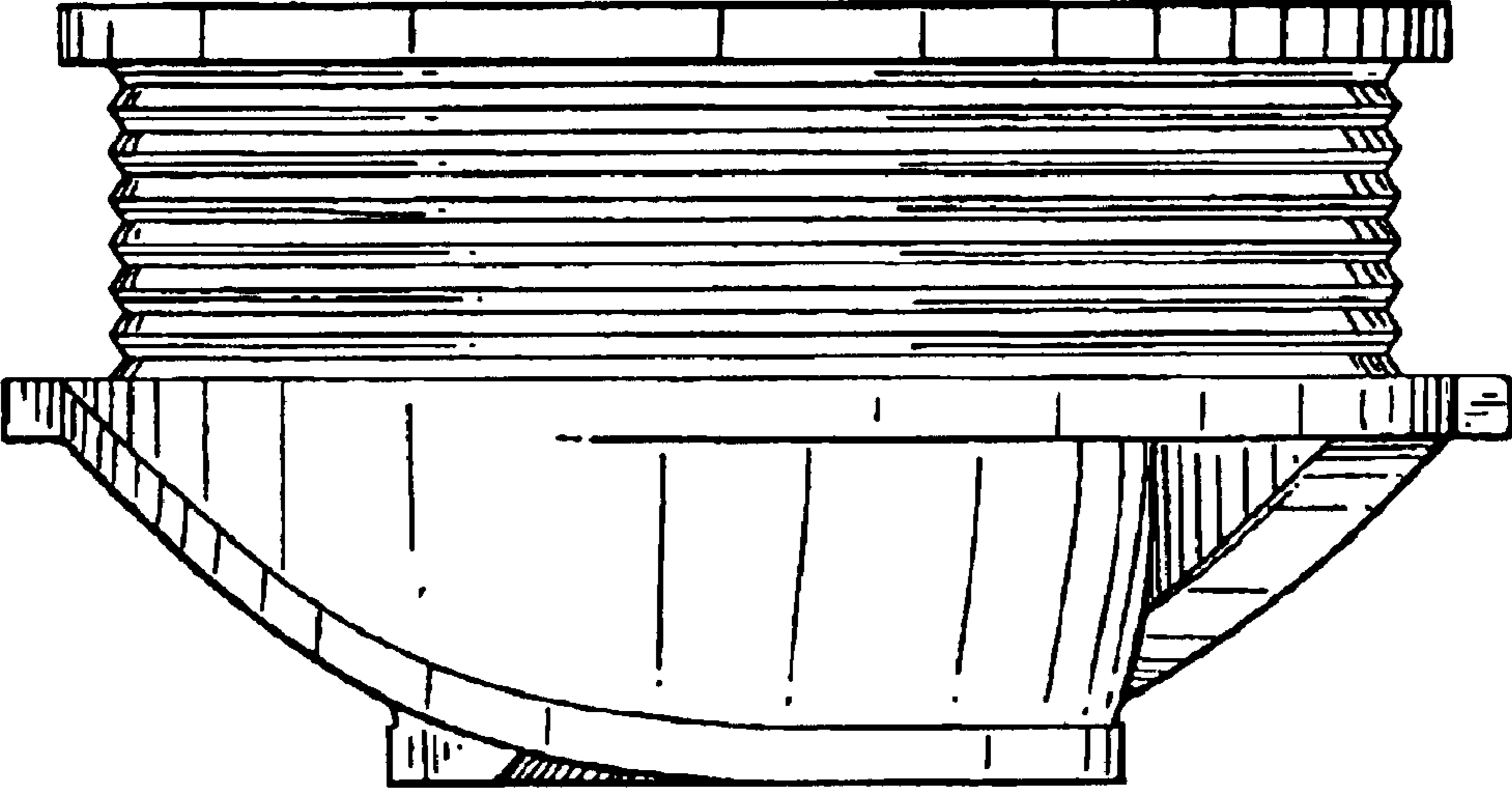


FIG. 4

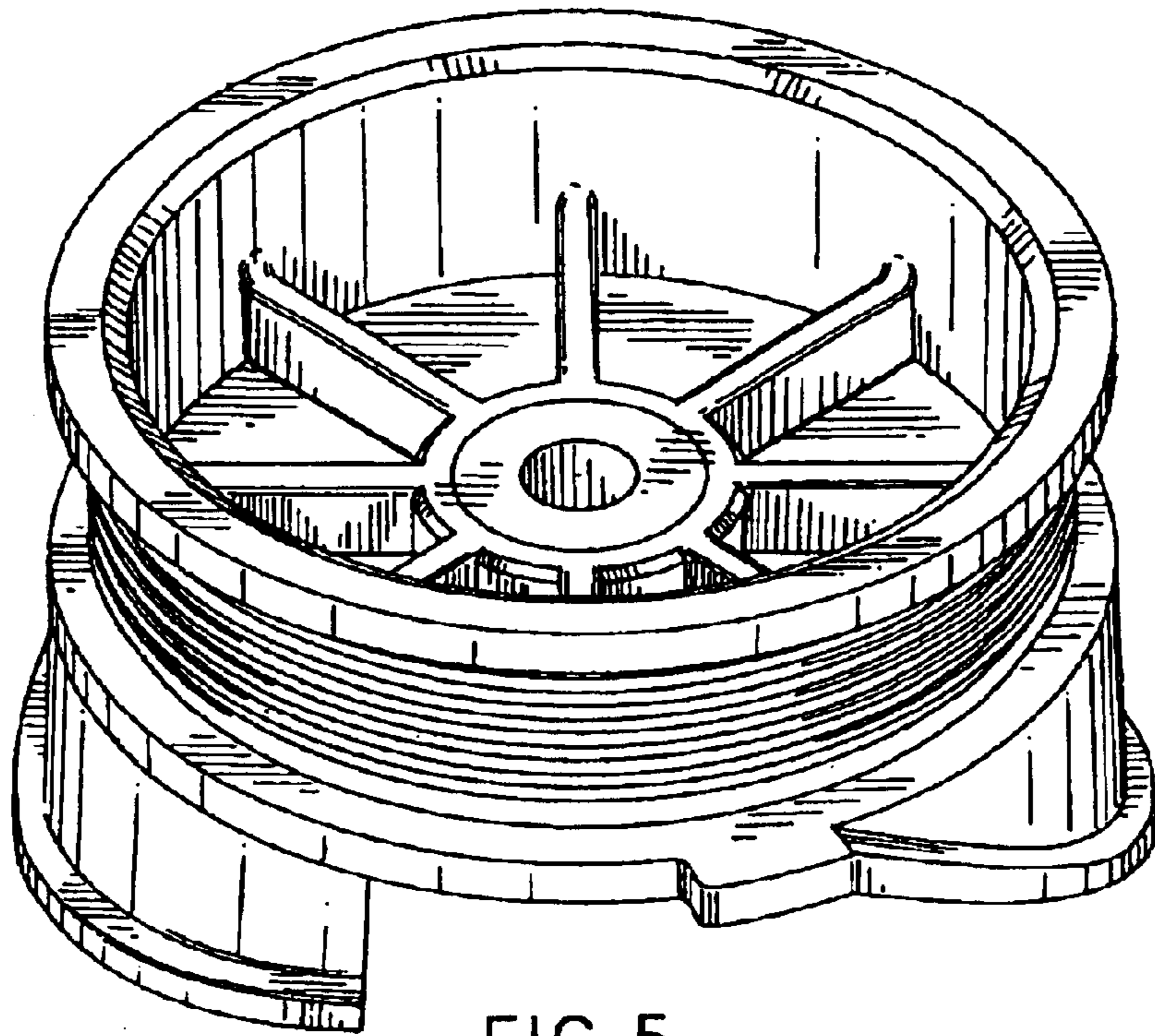


FIG. 5

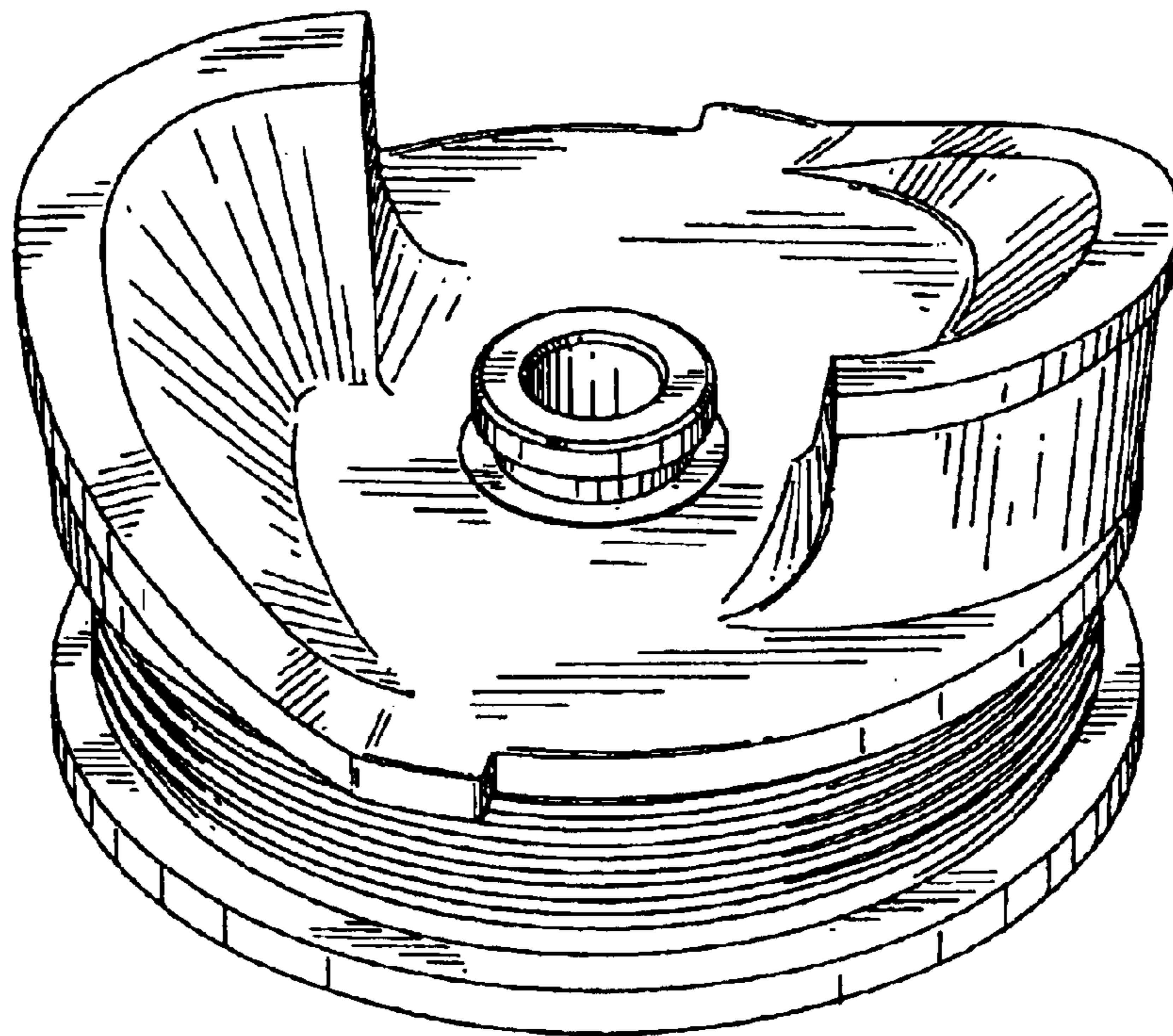


FIG. 6