



US00D492577S1

(12) **United States Design Patent** (10) **Patent No.:** **US D492,577 S**  
**Shindo** (45) **Date of Patent:** **\*\* Jul. 6, 2004**

(54) **TERMINAL MOUNTING UNIT**  
(75) Inventor: **Koji Shindo**, Tokyo (JP)  
(73) Assignee: **Sony Corporation**, Tokyo (JP)  
(\*\*) Term: **14 Years**  
(21) Appl. No.: **29/181,461**  
(22) Filed: **May 13, 2003**  
(51) **LOC (7) Cl.** ..... **08-05**  
(52) **U.S. Cl.** ..... **D8/354**  
(58) **Field of Search** ..... D8/349, 354, 355,  
D8/373, 380, 394, 396; D14/224, 230,  
238, 251, 432, 447, 451; 248/124.1, 124.2,  
125.2, 126, 176.1, 309.1, 346.01, 354.4,  
917, 918; 361/680, 681, 683; 379/454,  
455; 455/556.2, 569.2, 575.1

(56) **References Cited**  
**U.S. PATENT DOCUMENTS**  
3,044,740 A \* 7/1962 Pearce et al. .... 248/124.2  
D363,936 S \* 11/1995 Nysether et al. .... D14/238  
D464,250 S \* 10/2002 Warner et al. .... D8/355  
6,520,466 B1 \* 2/2003 Blanchard et al. .... 248/309.1  
D473,129 S \* 4/2003 Warner et al. .... D8/396

**OTHER PUBLICATIONS**  
Web page "Labor Day Savings; Camping/Hiking: GPS Units: GPS Accessories; Magellan Handlebar Bracket for The Meridian Ser. . .," <http://www.sportschalet.com/product/index.jsp?productid=764672&cp=1184694.713364.713387.684366&page=2&pageBucket=0&parent> . . . , 1 sheet, Sport Chalet (Feb. 2003).

Web page "Pocket PC Multimedia Mounts," <http://www.arkon.com/multimedia.html>, 1 sheet, Arkon Resources Inc. (Feb. 2003).

\* cited by examiner

*Primary Examiner*—Doris V. Coles  
*Assistant Examiner*—Elizabeth Albert  
(74) *Attorney, Agent, or Firm*—Rader, Fishman & Grauer PLLC

(57) **CLAIM**

The ornamental design for a terminal mounting unit, as shown.

**DESCRIPTION**

FIG. 1 is a perspective view of a terminal mounting unit showing my new design;  
FIG. 2 is a front elevational view thereof;  
FIG. 3 is a rear elevational view thereof;  
FIG. 4 is a left side elevational view thereof;  
FIG. 5 is a right side elevational view thereof;  
FIG. 6 is a top plan view thereof; and,  
FIG. 7 is a bottom plan view thereof.

**1 Claim, 4 Drawing Sheets**

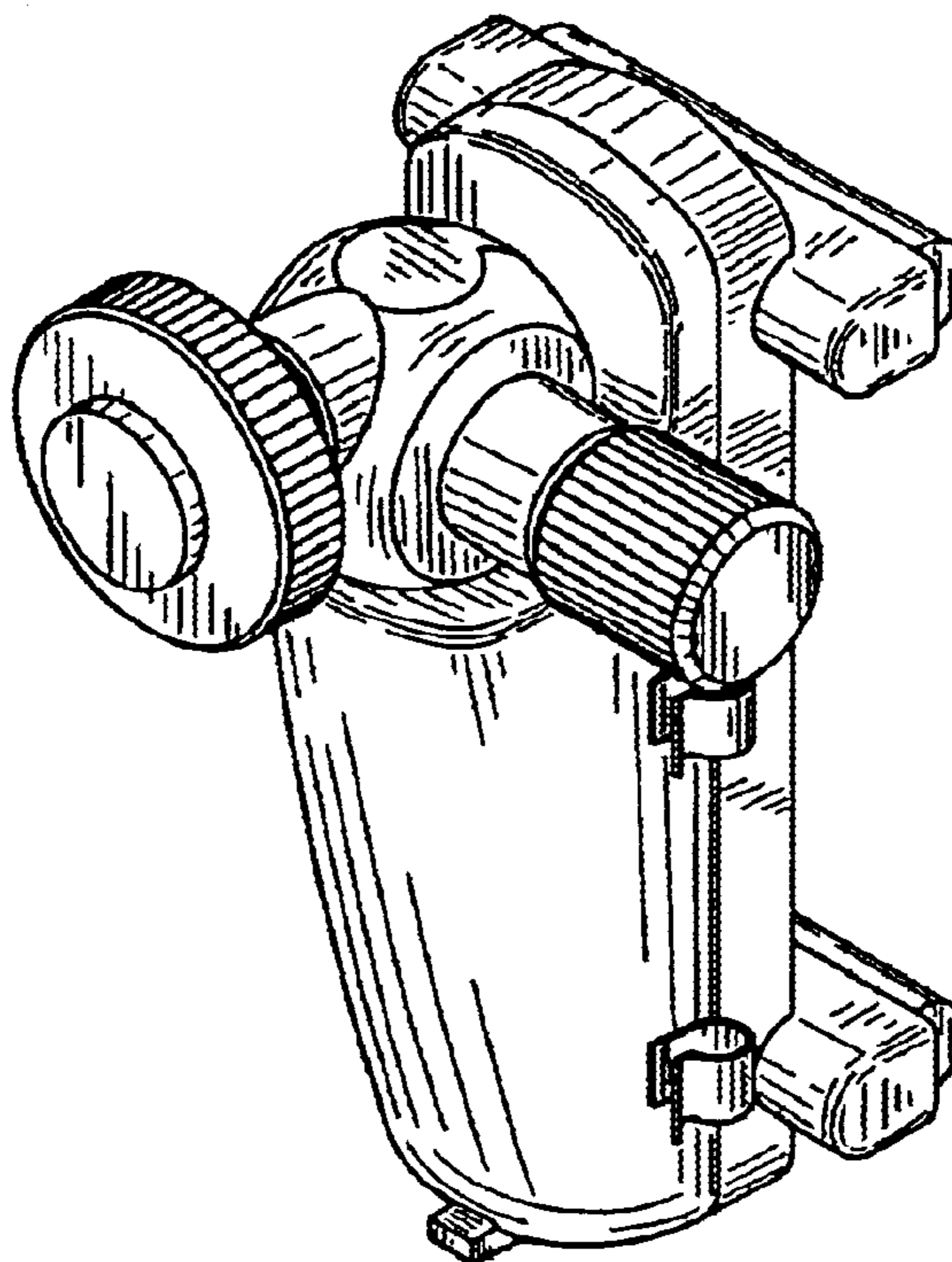


FIG. 1

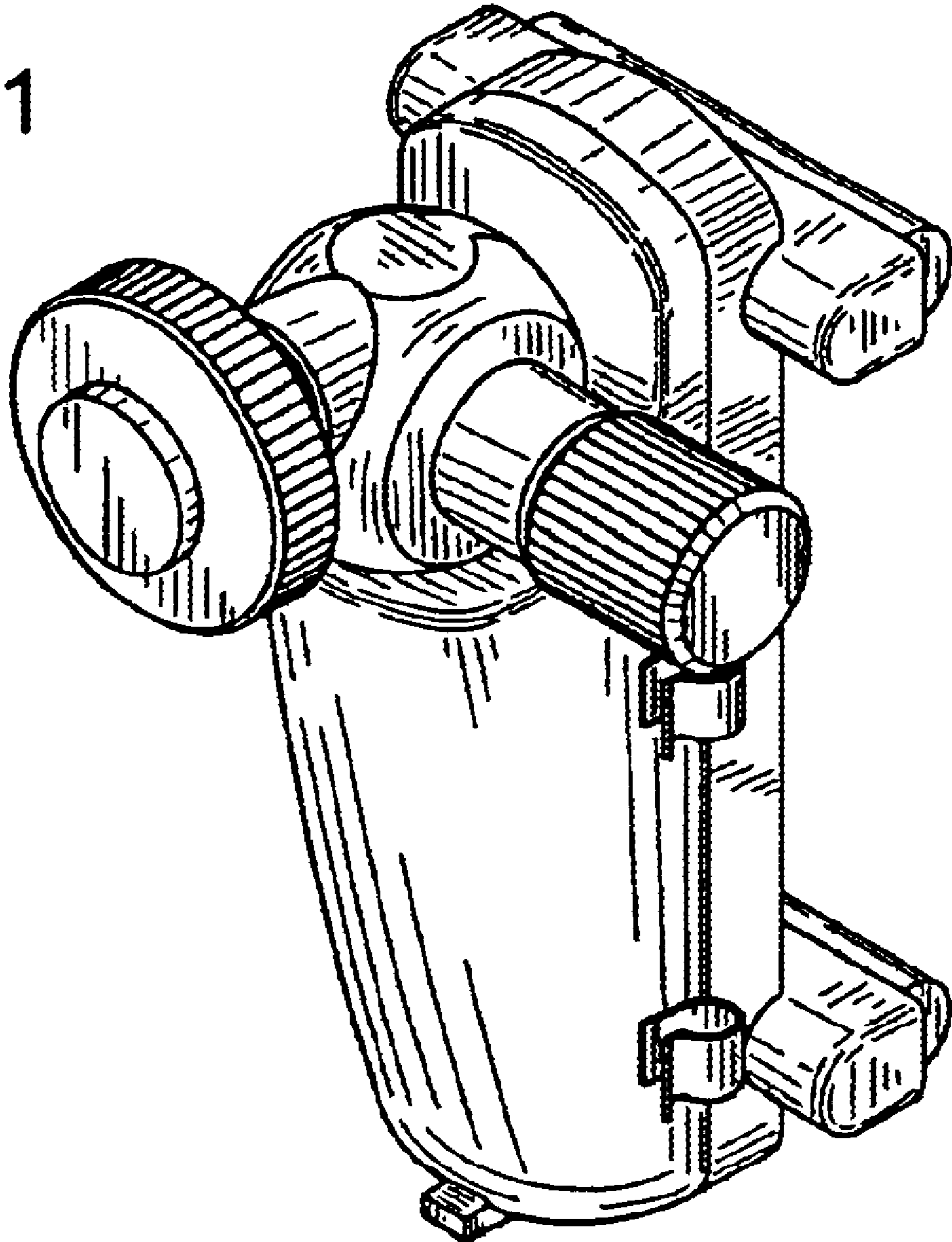


FIG.2

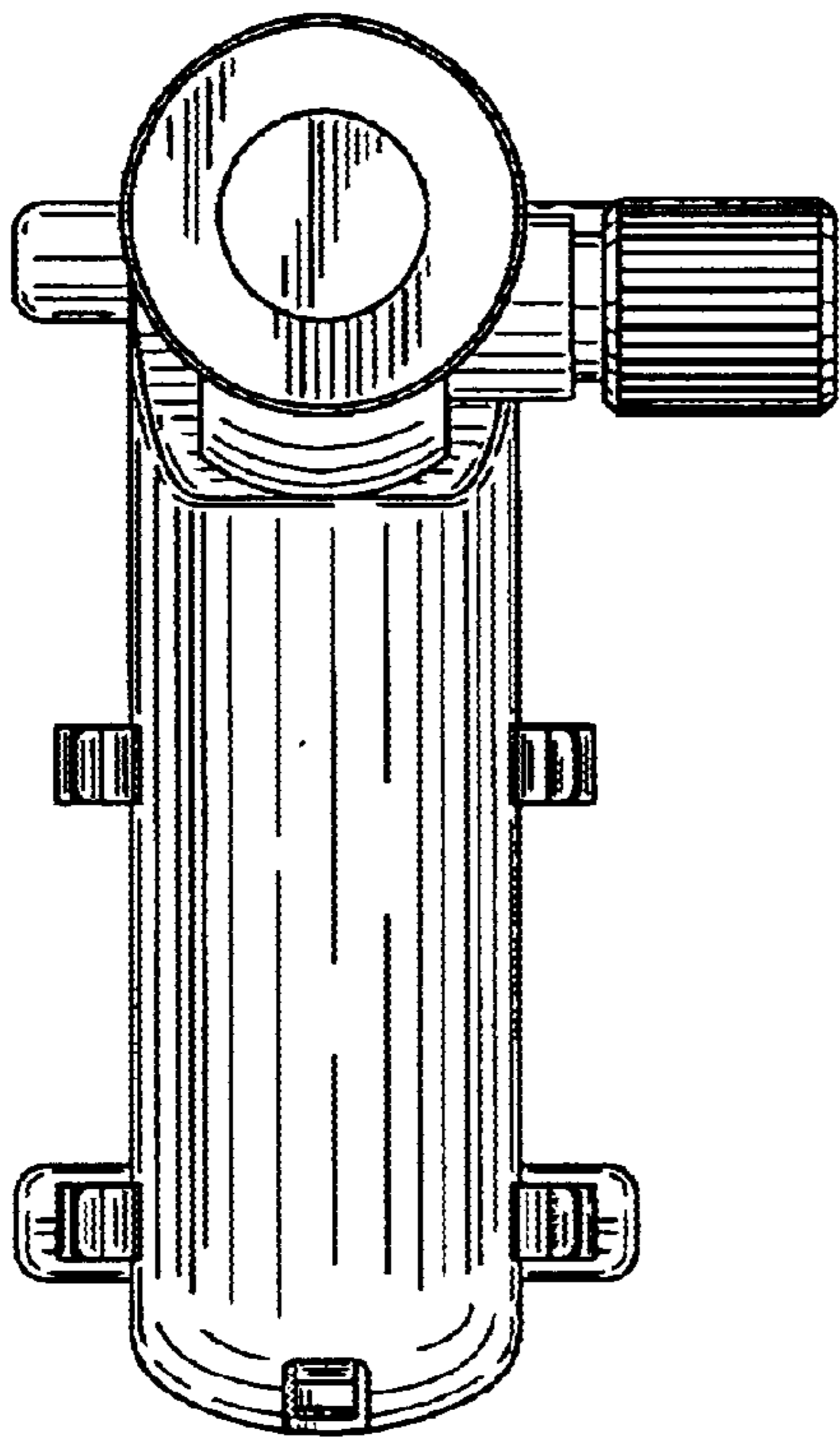
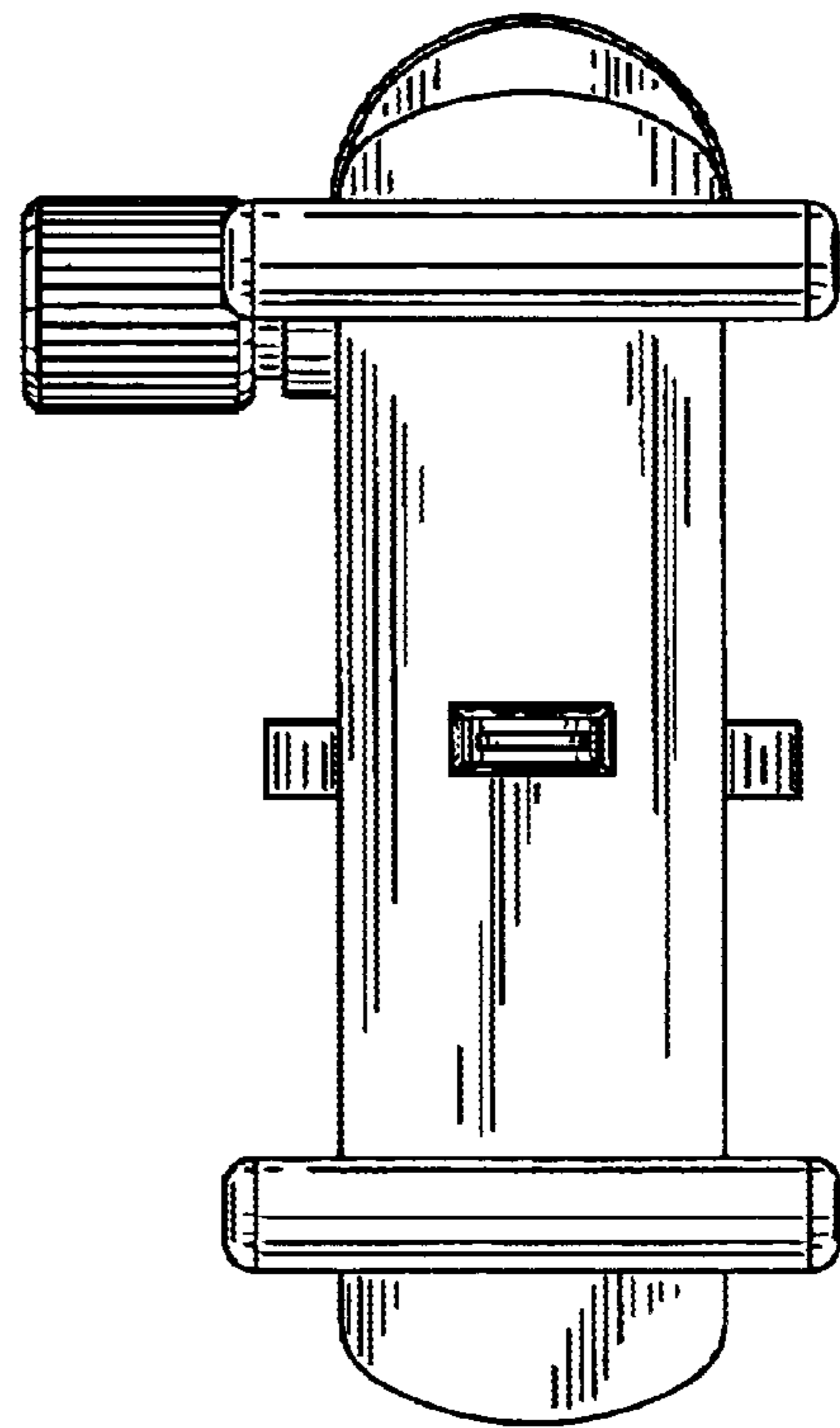


FIG.3



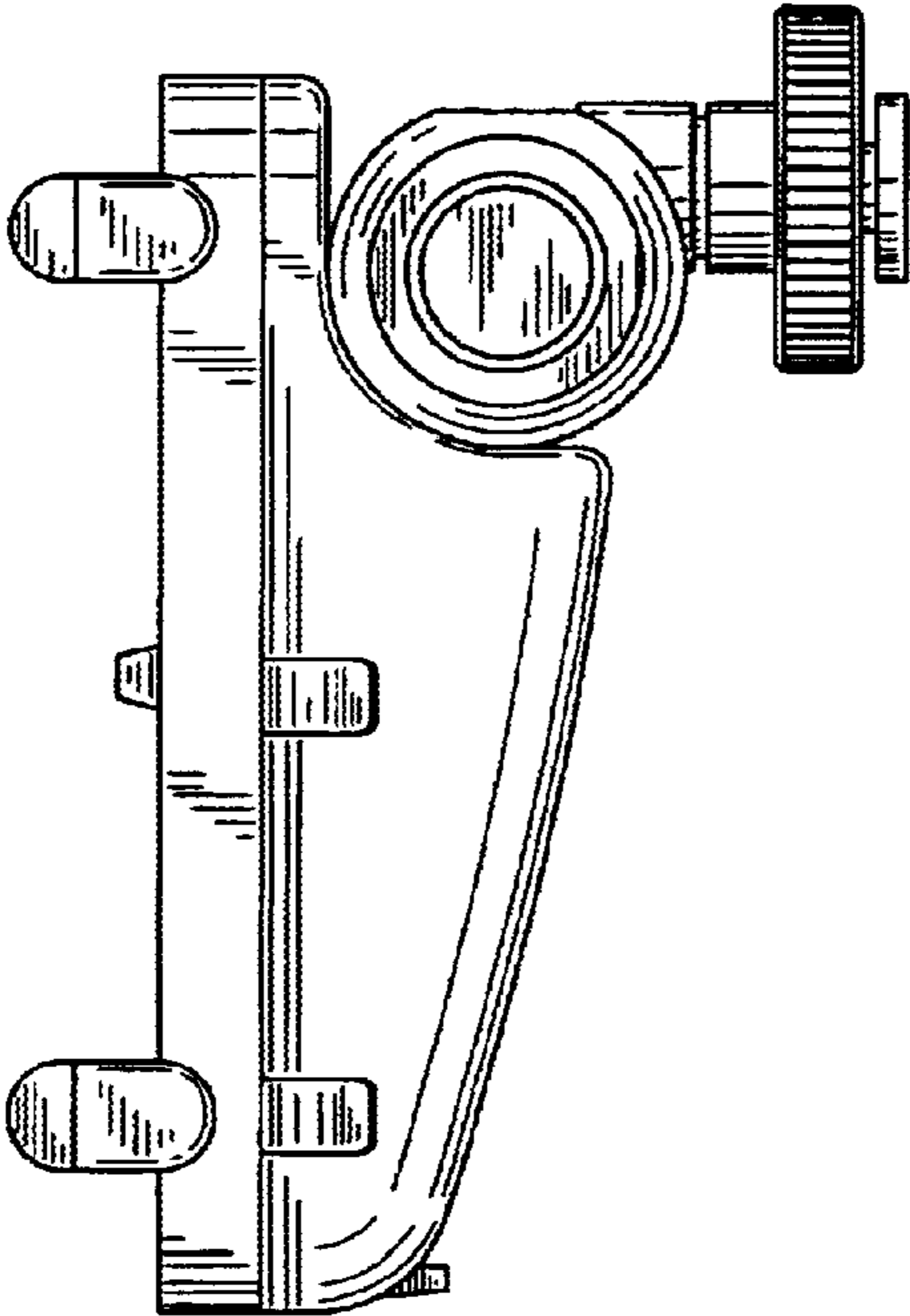


FIG.4

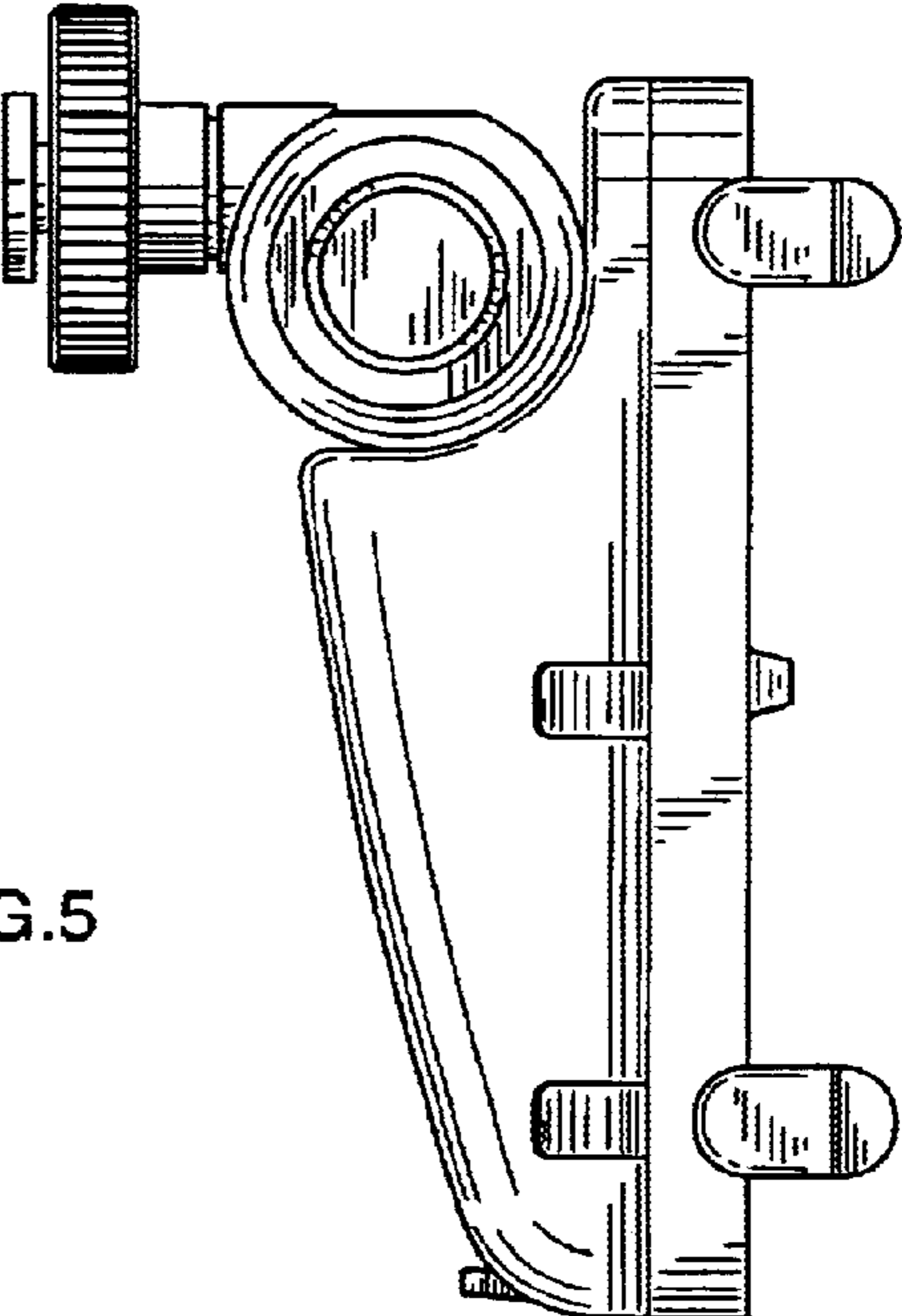


FIG.5

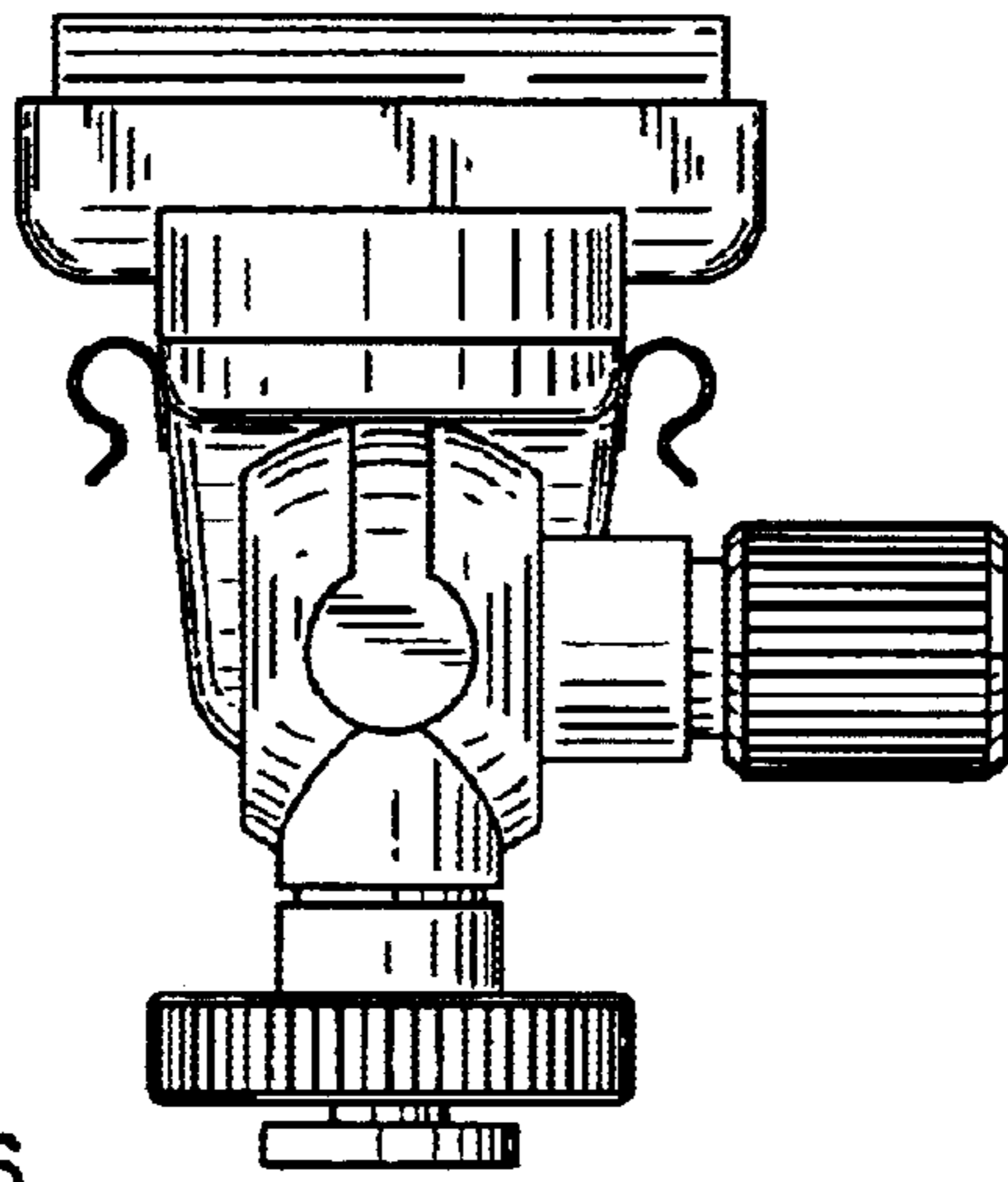


FIG. 6

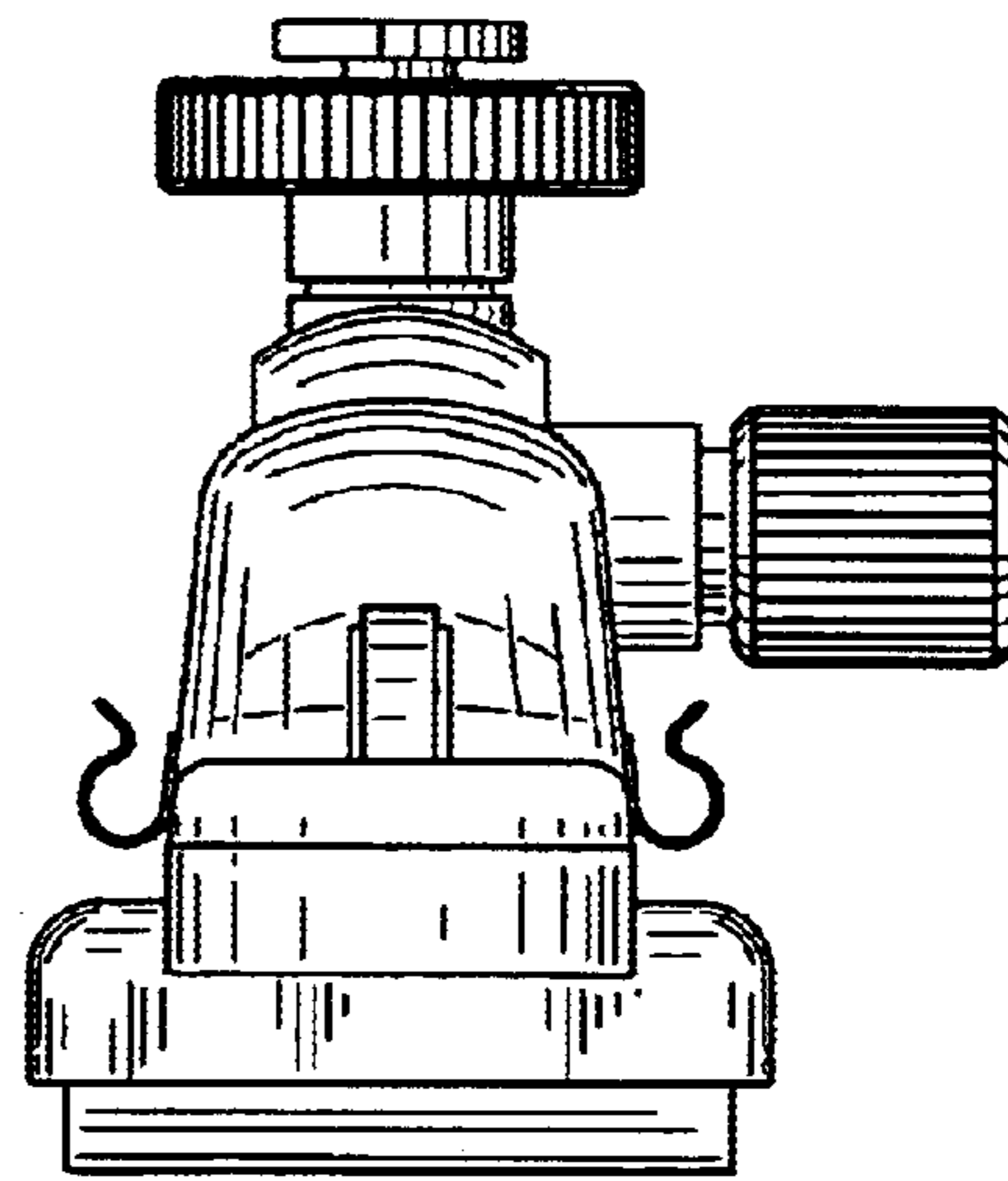


FIG. 7