

US00D492576S1

(12) **United States Design Patent**
Fiorentino et al.

(10) **Patent No.:** **US D492,576 S**
(45) **Date of Patent:** **** Jul. 6, 2004**

(54) **STABILIZER RING FOR A PARACHUTE SEA ANCHOR**

D429,996 S * 8/2000 Fiorentino D8/356
D445,018 S 7/2001 Fiorentino et al. D8/349
D474,394 S * 5/2003 Smith D8/349

(76) Inventors: **Jenero Fiorentino**, 2028 S. Grand Ave.,
San Pedro, CA (US) 90732; **Zack D. Smith**, 1048 Irvine Ave., #489, Newport
Beach, CA (US) 92660

* cited by examiner

Primary Examiner—Doris V. Coles
Assistant Examiner—Elizabeth A. Albert
(74) *Attorney, Agent, or Firm*—Morland C. Fischer

(**) Term: **14 Years**

(57) **CLAIM**

(21) Appl. No.: **29/175,772**

The ornamental design for a stabilizer ring for a parachute sea anchor, as shown and described.

(22) Filed: **Feb. 11, 2003**

(51) **LOC (7) Cl.** **08-05**

(52) **U.S. Cl.** **D8/354**

(58) **Field of Search** D8/349, 354, 355,
D8/356, 367, 373, 380, 382, 499; D12/215;
D34/33, 35; 24/116 R, 265 AL, 265 CD,
600.6, 905; 114/249, 293, 294, 304, 311;
248/499, 500, 505; 294/1.1; 410/101

DESCRIPTION

FIG. 1 is a side elevational view showing a stabilizer ring for a parachute sea anchor which forms our new design, the boat, parachute and tether lines which are shown in phantom being for illustrative purposes only and forming no part of the claimed design;

FIG. 2 is a top plan view of our stabilizer ring;
FIG. 3 is a right side elevational view thereof, this view and the opposite side elevational view being mirror images;
FIG. 4 is a front elevational view thereof, this view and the opposite rear elevational view being mirror images; and,
FIG. 5 is a bottom plan view thereof.

(56) **References Cited**

U.S. PATENT DOCUMENTS

2,861,534 A * 11/1958 Fehlner 114/311
4,592,686 A * 6/1986 Andrews 410/101
5,248,176 A * 9/1993 Fredriksson 294/1.1
D400,157 S * 10/1998 Fiorentino et al. D12/321

1 Claim, 3 Drawing Sheets

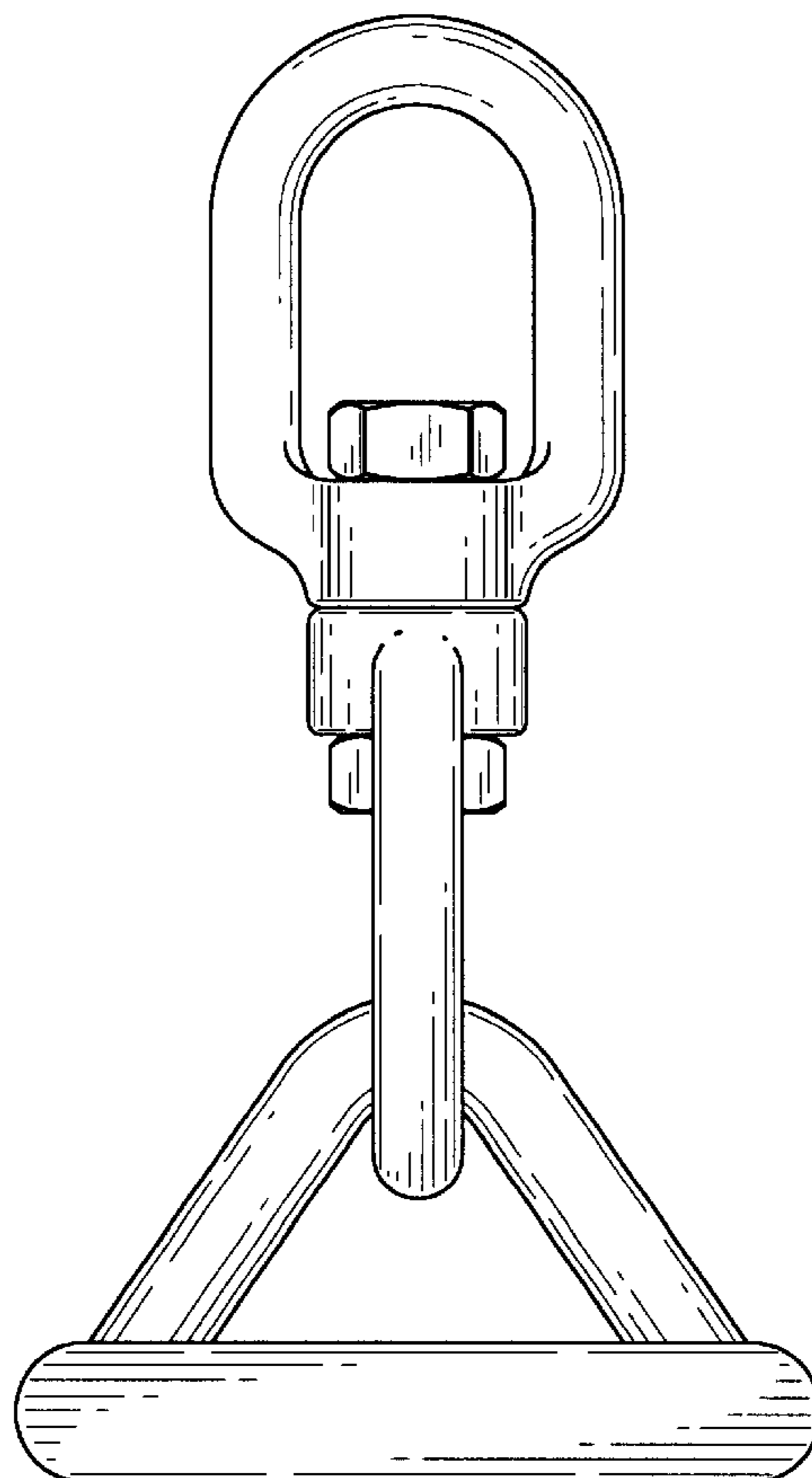


Fig. 1

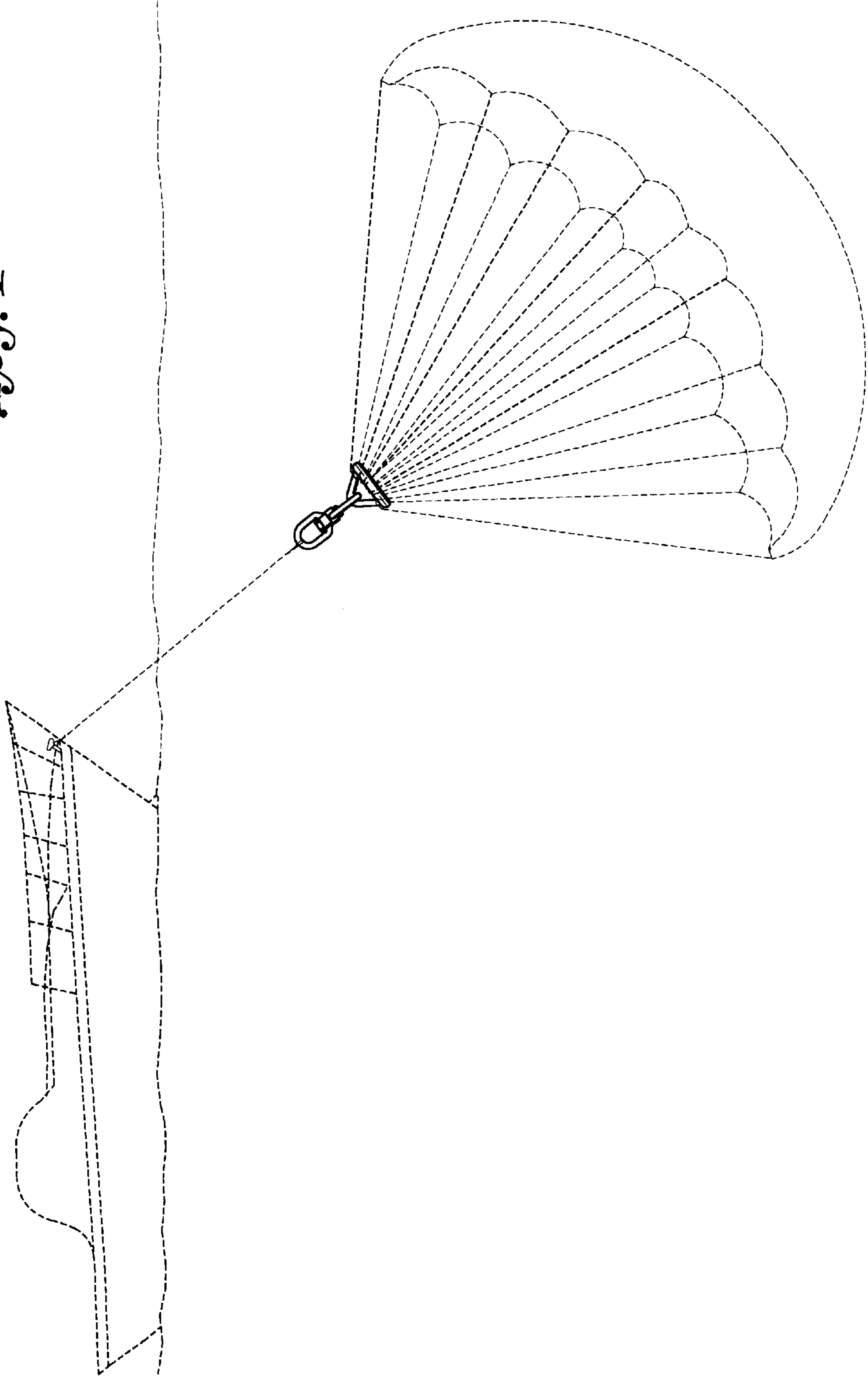


Fig. 2

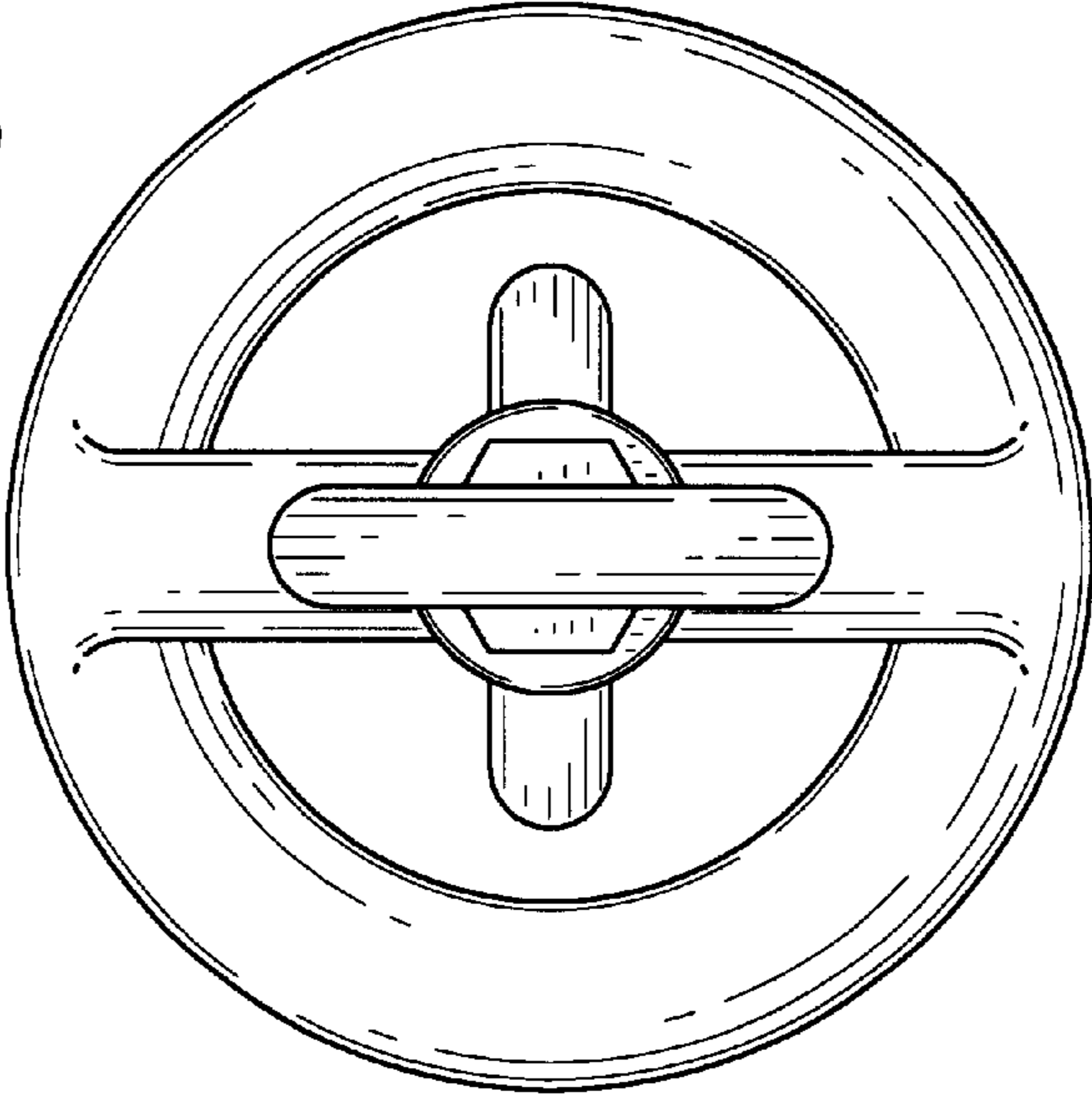


Fig. 3

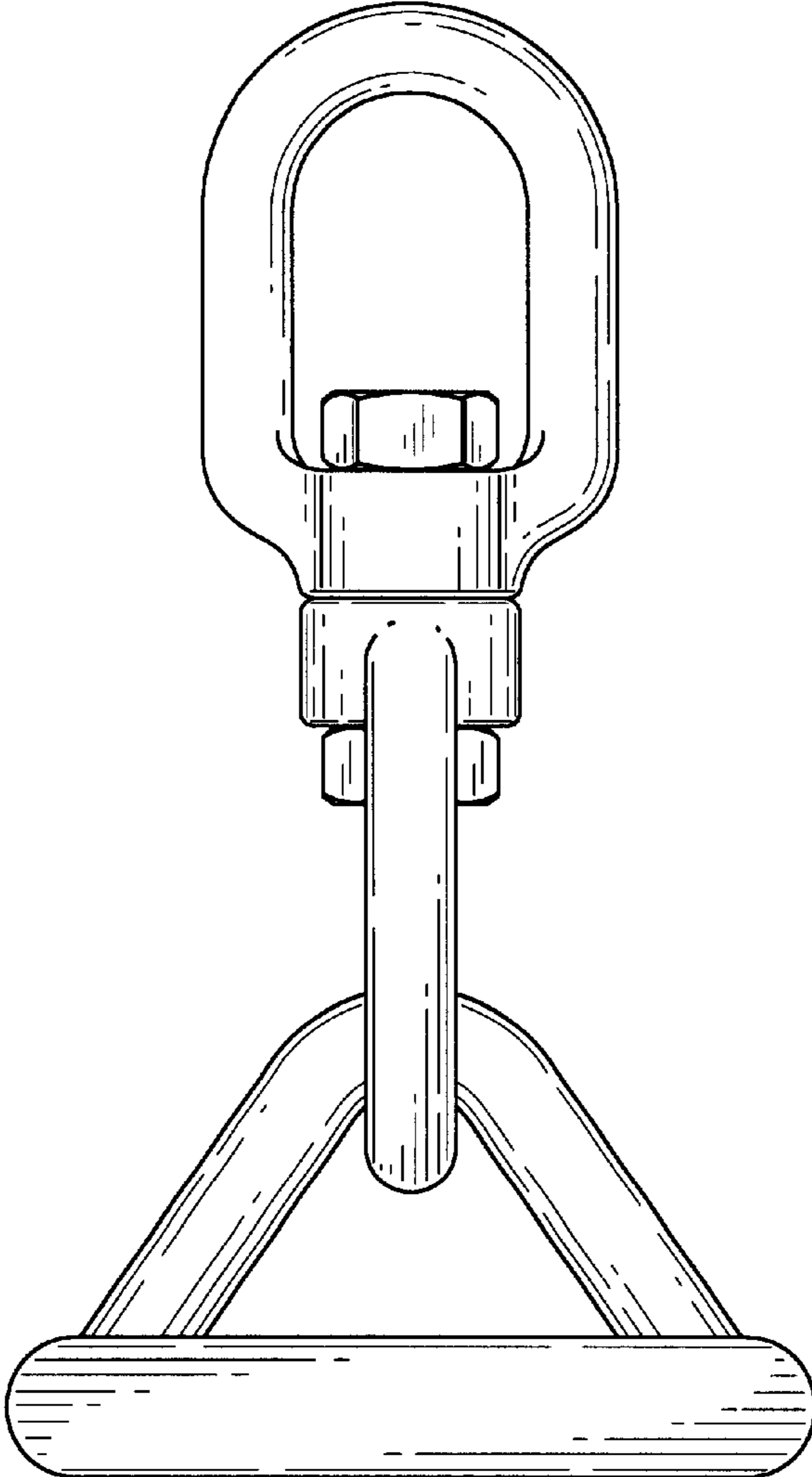


Fig. 4

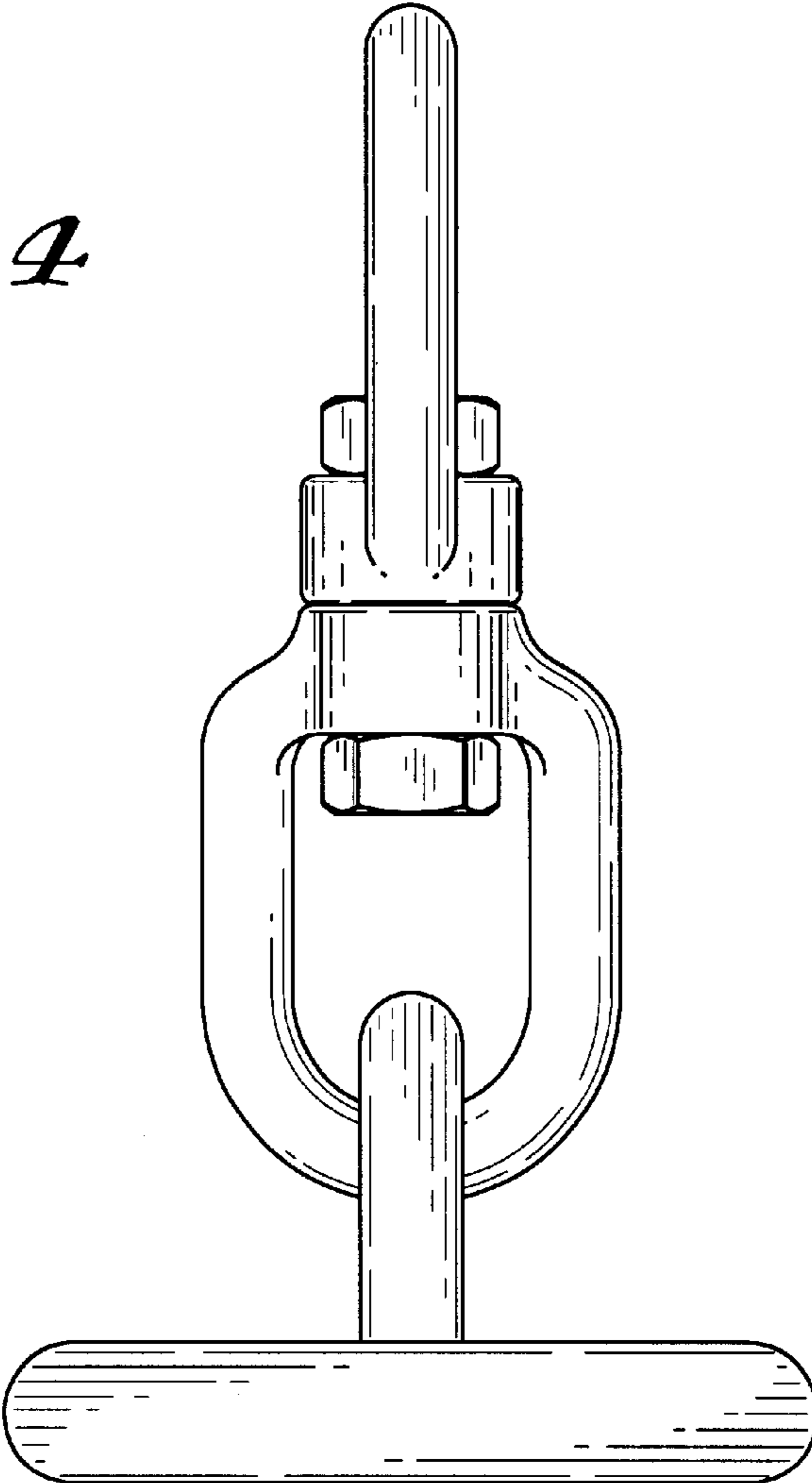


Fig. 5

