

US00D492575S1

(12) **United States Design Patent**  
**Carroll et al.**

(10) **Patent No.:** **US D492,575 S**  
(45) **Date of Patent:** **\*\* Jul. 6, 2004**

(54) **PRINTED CIRCUIT BOARD DAUGHTER BOARD SUPPORT**

6,418,035 B1 \* 7/2002 Yu ..... 361/825  
6,542,366 B2 \* 4/2003 Davis et al. .... 361/703

(75) Inventors: **Scott T. Carroll**, Lakeside, CA (US);  
**Kenneth E. Wing**, Alpine, CA (US);  
**Khoi V. Nguyen**, San Diego, CA (US)

\* cited by examiner

*Primary Examiner*—Doris V. Coles  
*Assistant Examiner*—Elizabeth Albert

(73) Assignee: **Hitek Power Corp.**, Santee, CA (US)

(74) *Attorney, Agent, or Firm*—Richard D. Clarke

(\*\*) Term: **14 Years**

(57) **CLAIM**

(21) Appl. No.: **29/172,653**

We claim the ornamental design for a printed circuit board daughter board support, as shown and described.

(22) Filed: **Dec. 16, 2002**

**DESCRIPTION**

(51) **LOC (7) Cl.** ..... **08-05**

(52) **U.S. Cl.** ..... **D8/354**

(58) **Field of Search** ..... D8/349, 354, 373,  
D8/380, 382; D13/182, 199; 174/138 D,  
138 G, 260, 261; 211/41.17; 361/719, 760,  
784, 792, 807, 808, 809, 825; 439/377

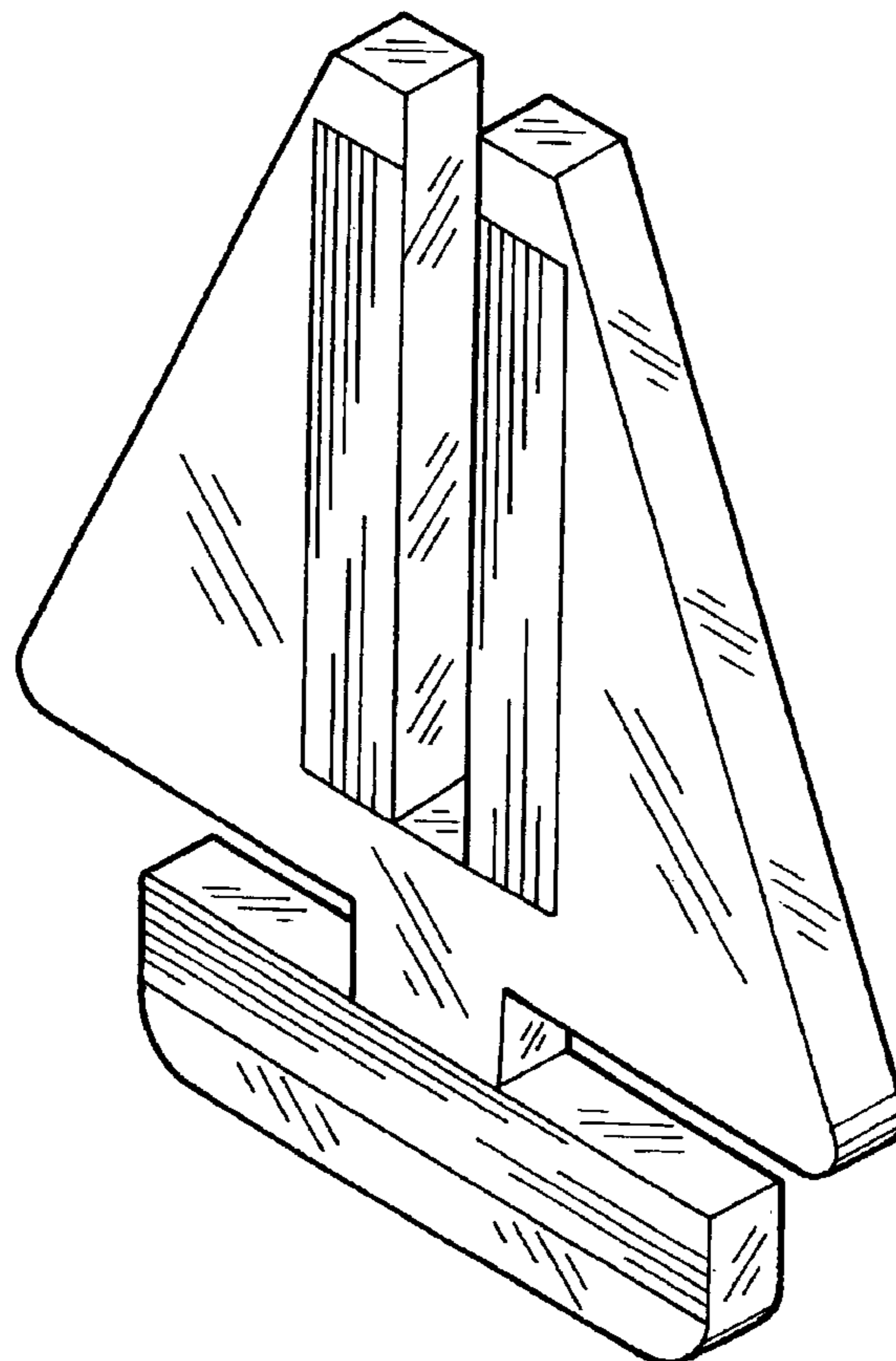
FIG. 1 is a side elevational perspective view of a printed circuit board daughter board support;  
FIG. 2 is a front elevational view of a printed circuit board daughter board support shown on a reduced scale;  
FIG. 3 is a rear elevational view of a printed circuit board daughter board support shown on a reduced scale;  
FIG. 4 is a side elevational view of one side of a printed circuit board daughter board support;  
FIG. 5 is a side elevational view of the opposite side of a printed circuit board daughter board support;  
FIG. 6 is a top view of a printed circuit board daughter board support; and,  
FIG. 7 is a bottom view of a of a printed circuit board daughter board support.

(56) **References Cited**

**U.S. PATENT DOCUMENTS**

D194,869 S \* 3/1963 Stall ..... D8/373  
4,627,760 A \* 12/1986 Yagi et al. .... 174/138 D  
D413,506 S \* 9/1999 Sikkila et al. .... D8/354  
6,327,147 B1 \* 12/2001 Llapitan et al. .... 361/719  
6,327,160 B1 \* 12/2001 Liao ..... 361/809  
6,368,124 B1 \* 4/2002 Wang ..... 439/153

**1 Claim, 3 Drawing Sheets**



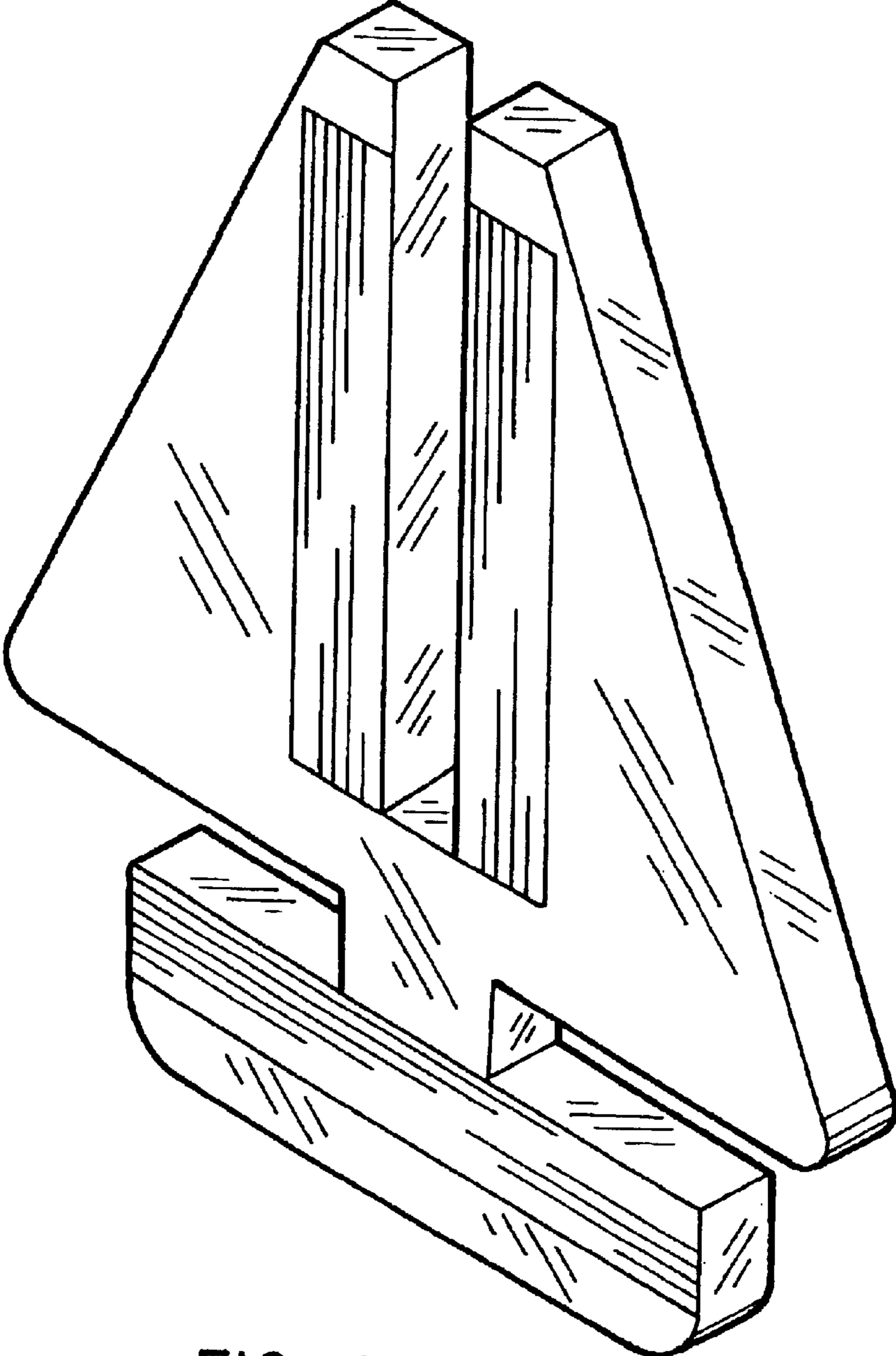


FIG. 1

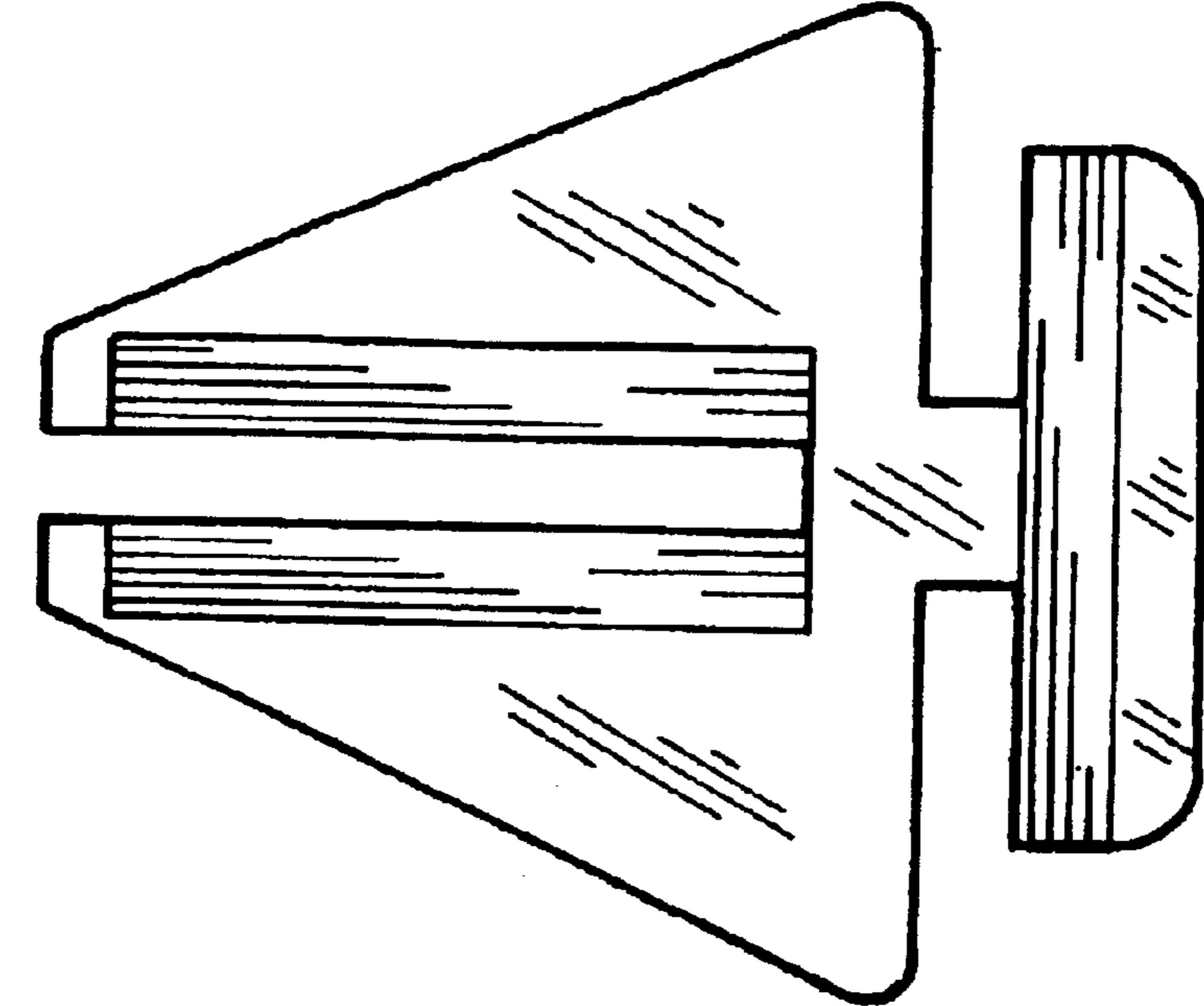


FIG. 2

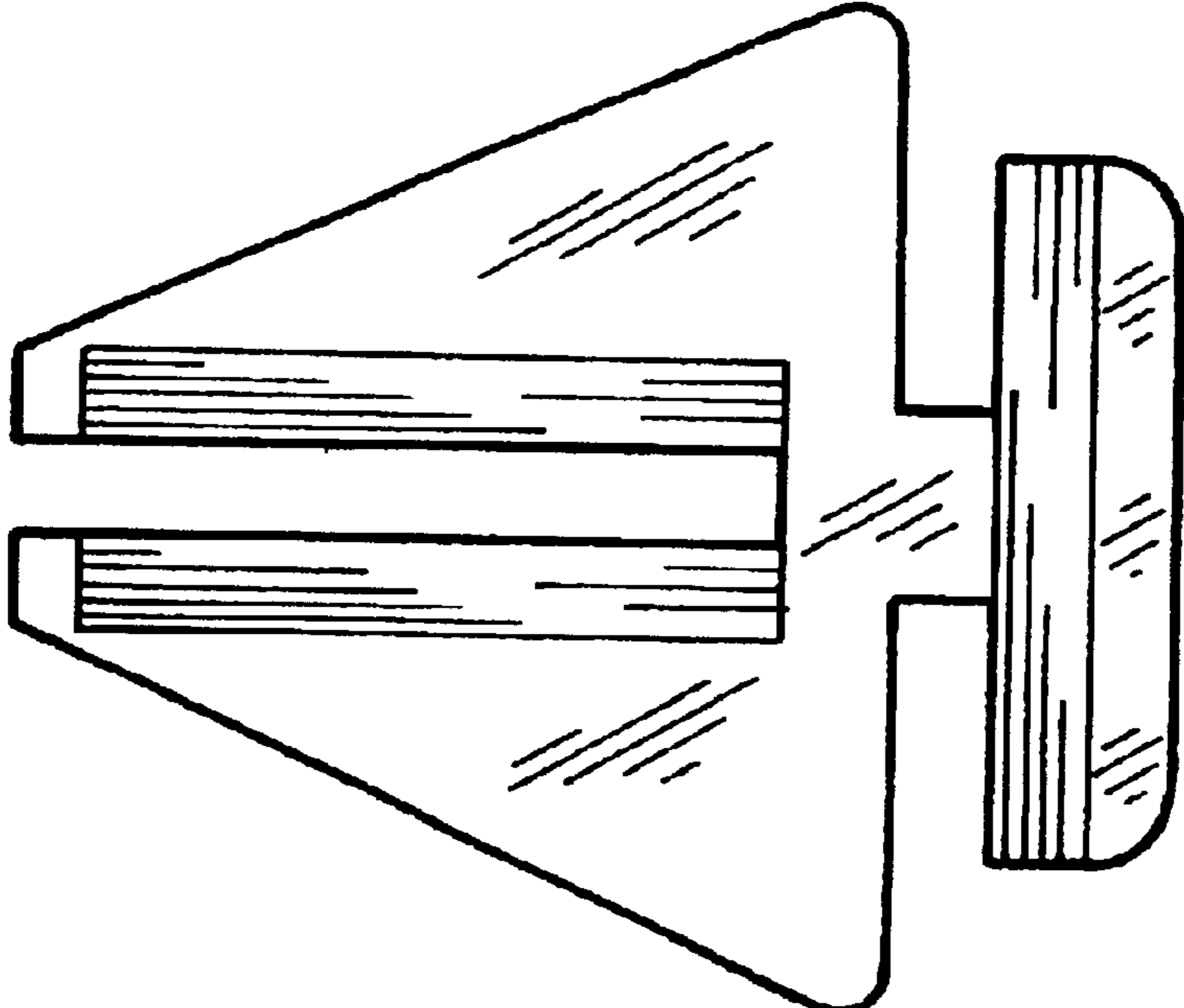


FIG. 3

