

US00D492573S1

(12) **United States Design Patent**
Karamanos et al.

(10) **Patent No.: US D492,573 S**
(45) **Date of Patent: ** Jul. 6, 2004**

(54) **LOCK BOX FOR ELECTRICAL CONNECTORS**

(76) Inventors: **Elaine Karamanos**, 4632 W. Magnolia, Burbank, CA (US) 91505; **Elaine Kirshman**, P.O. Box 252992, West Bloomfield, MI (US) 48325

(**) Term: **14 Years**

(21) Appl. No.: **29/186,463**

(22) Filed: **Jul. 16, 2003**

(51) **LOC (7) Cl.** **08-07**

(52) **U.S. Cl.** **D8/330; D8/346**

(58) **Field of Search** D8/330, 331, 343, D8/346, 374, 499; 70/14, 57, 58, 63, 69, 78, 80, 158, 159, 271, 431, 434, 443

(56) **References Cited**

U.S. PATENT DOCUMENTS

- 3,845,530 A * 11/1974 Platt 445/8
- 4,488,764 A * 12/1984 Pfenning et al. 439/133
- D280,381 S * 9/1985 Schultz D8/330
- 4,673,230 A * 6/1987 Baumgart 439/133
- 4,679,873 A * 7/1987 Brackett, Jr. 439/134
- D336,418 S * 6/1993 Carter D8/330

- 5,277,599 A * 1/1994 Nilson 439/133
- D344,443 S * 2/1994 Ashby D8/346
- 5,555,752 A * 9/1996 Fitzpatrick 70/159
- 6,085,671 A * 7/2000 Kerr et al. 109/51

* cited by examiner

Primary Examiner—Prabhakar Deshmukh
(74) *Attorney, Agent, or Firm*—Gifford, Krass, Groh, Sprinkle, Anderson & Citkowski, P.C.

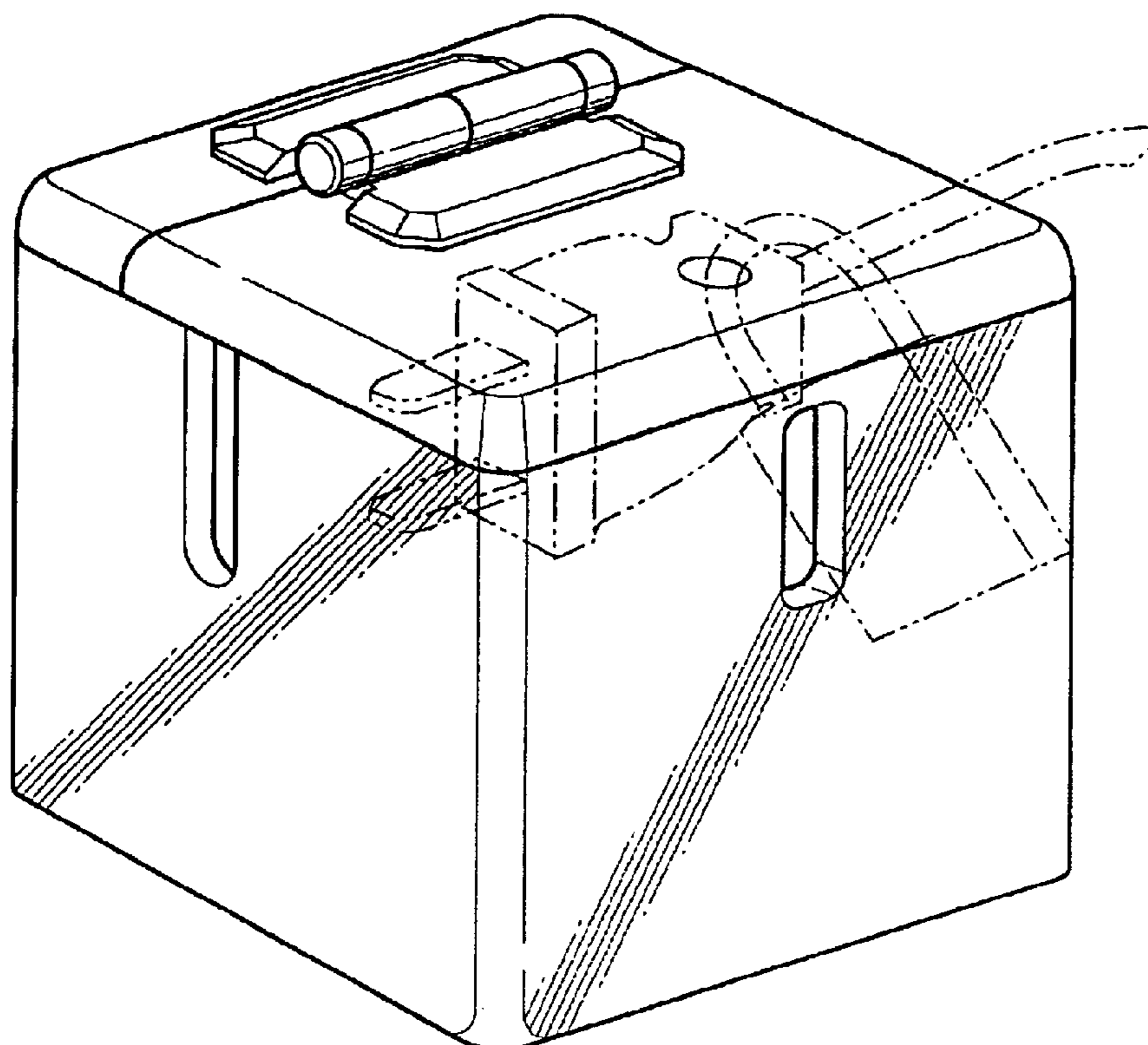
(57) **CLAIM**

We claim the ornamental design for a lock box for electrical connectors, as shown and described.

DESCRIPTION

FIG. 1 is a perspective view from the front right corner of a lock box according to the present invention; FIG. 2 is a front view of the lock box of FIG. 1; FIG. 3 is a side view of the lock box of FIG. 1 with both sides being identical; FIG. 4 is a rear view of the lock box of FIG. 1; FIG. 5 is a top view of the lock box of FIG. 1; and, FIG. 6 is a bottom view of the lock box of FIG. 1. The broken lines are for illustrative purpose only and form no part of the claimed design.

1 Claim, 2 Drawing Sheets



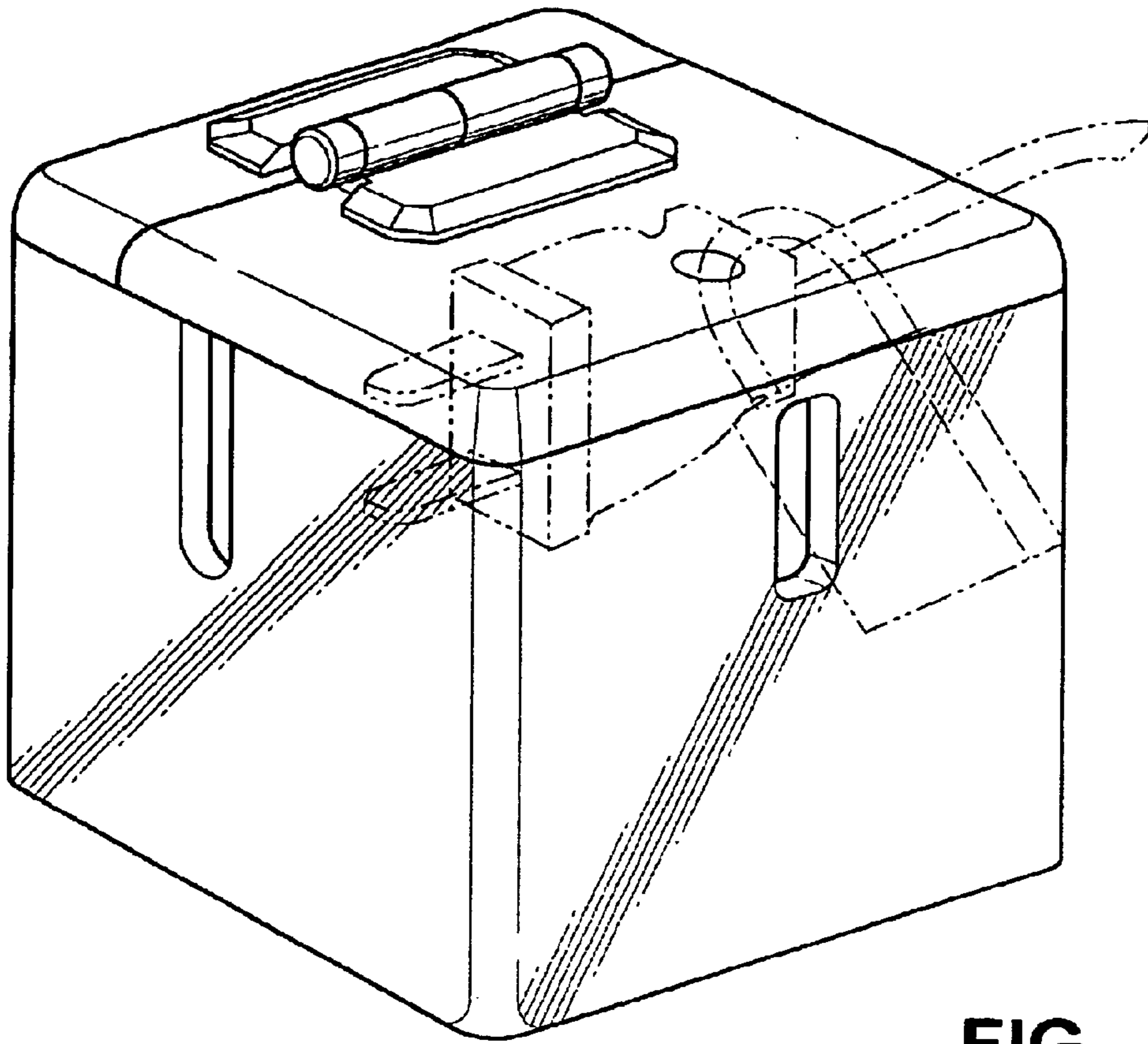


FIG - 1

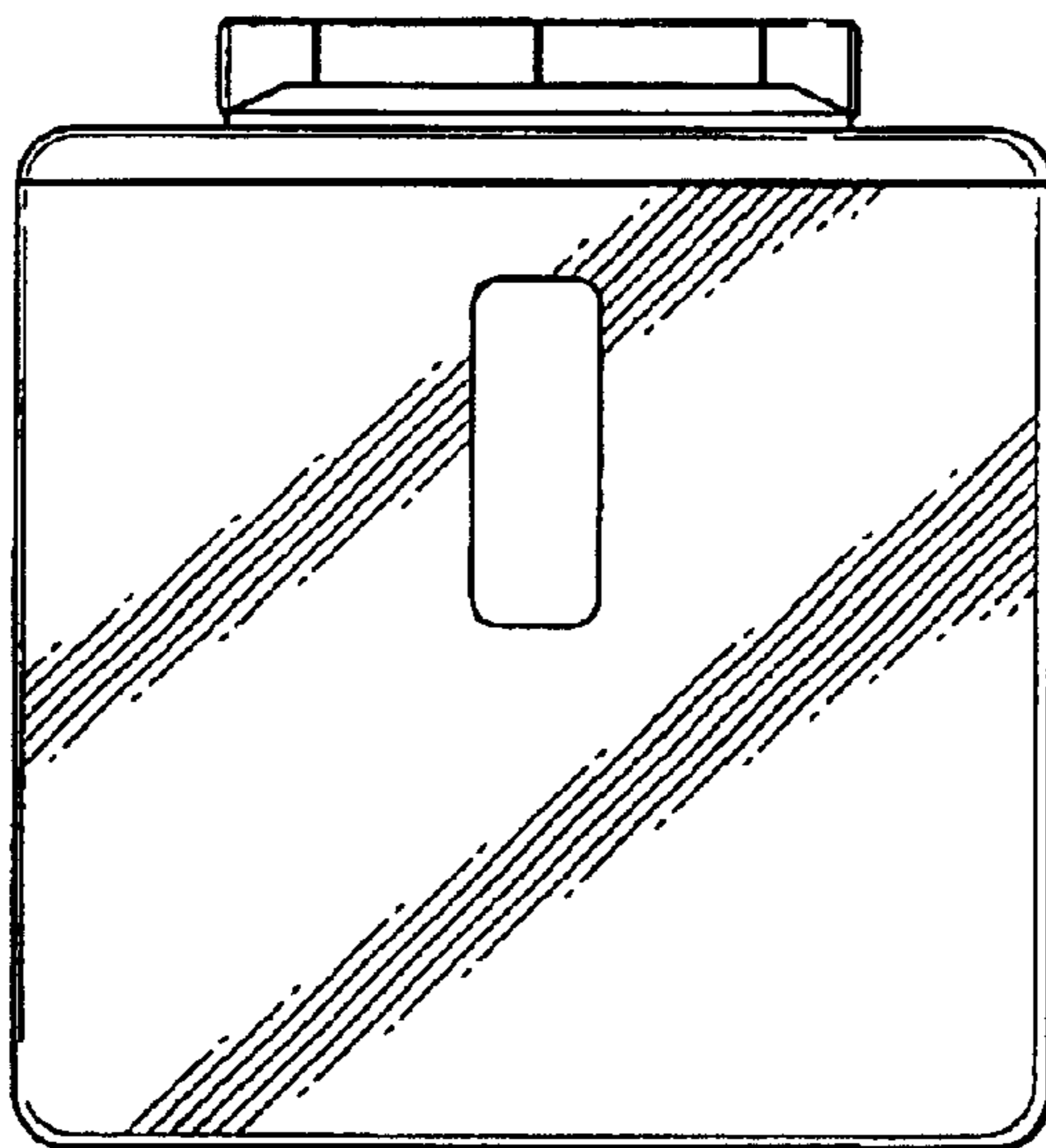


FIG - 2

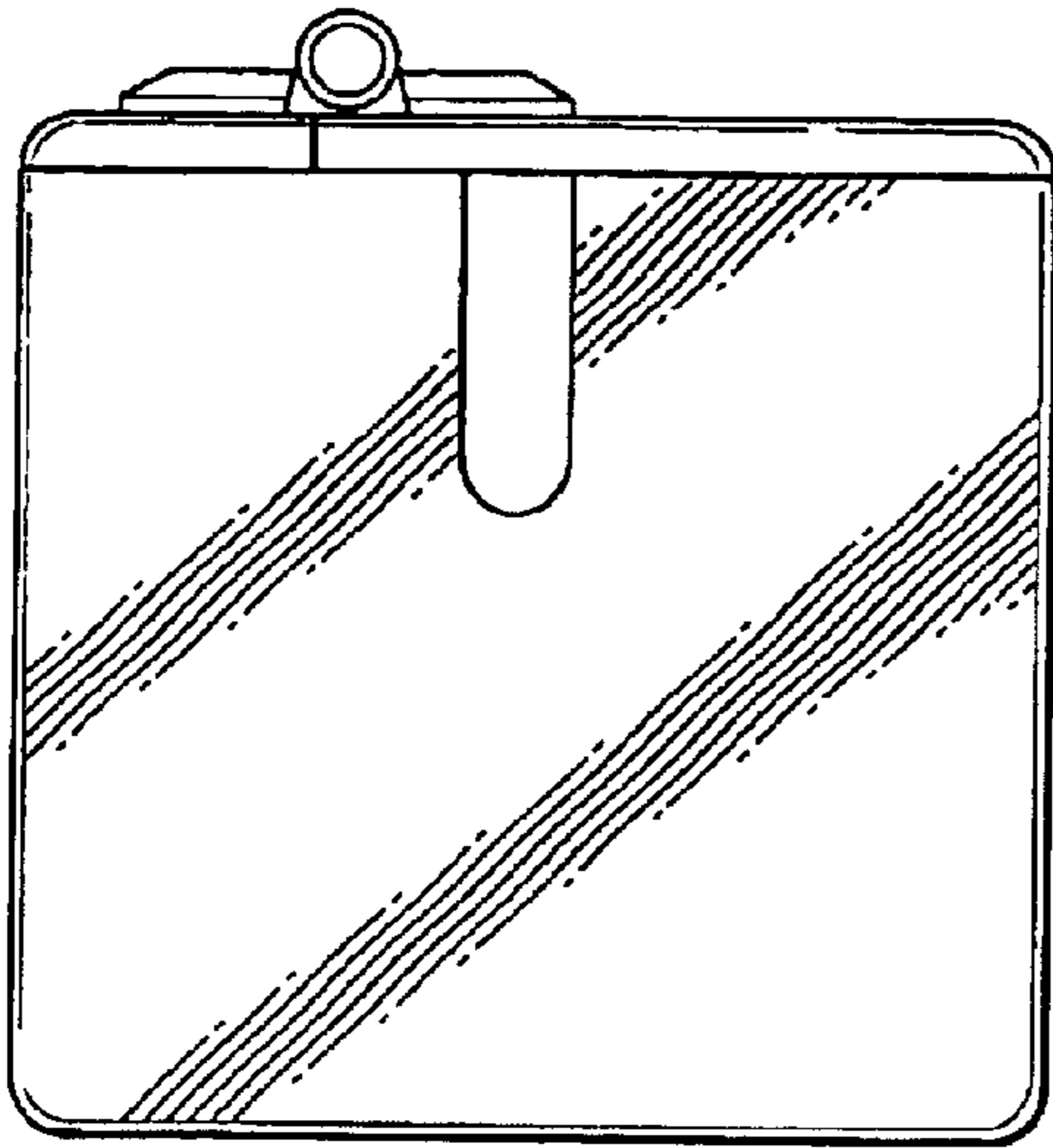


FIG - 3

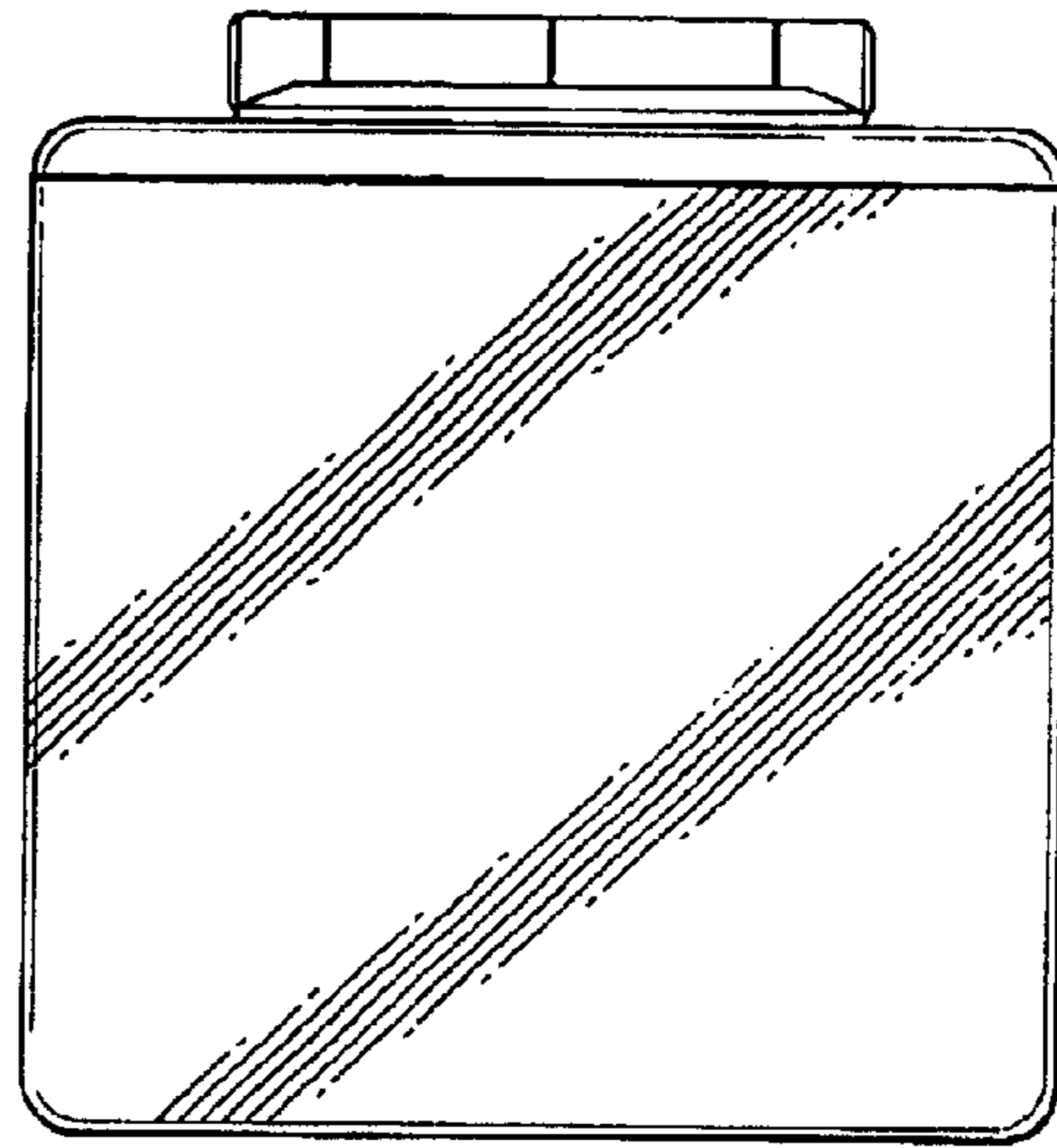


FIG - 4

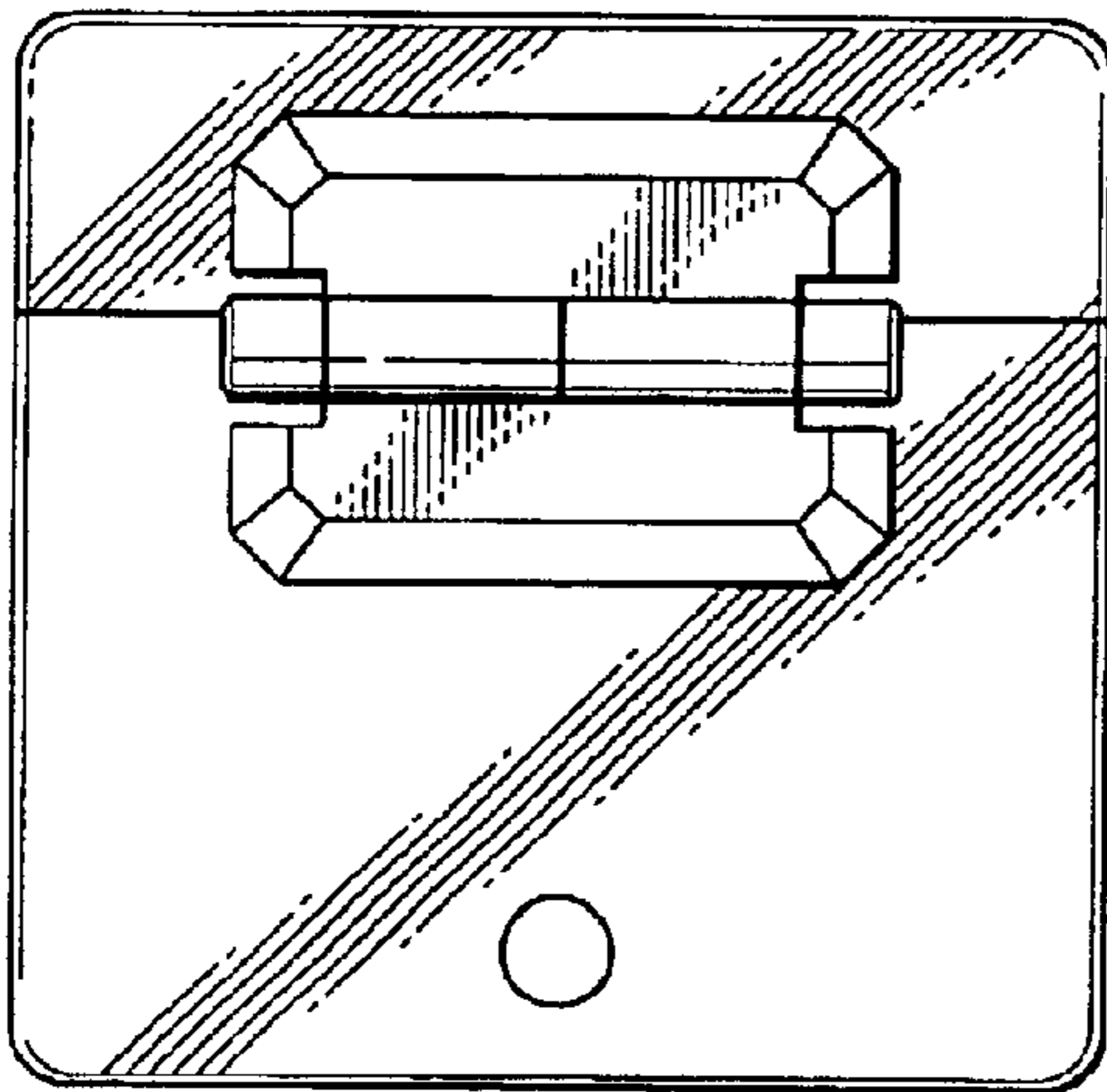


FIG - 5

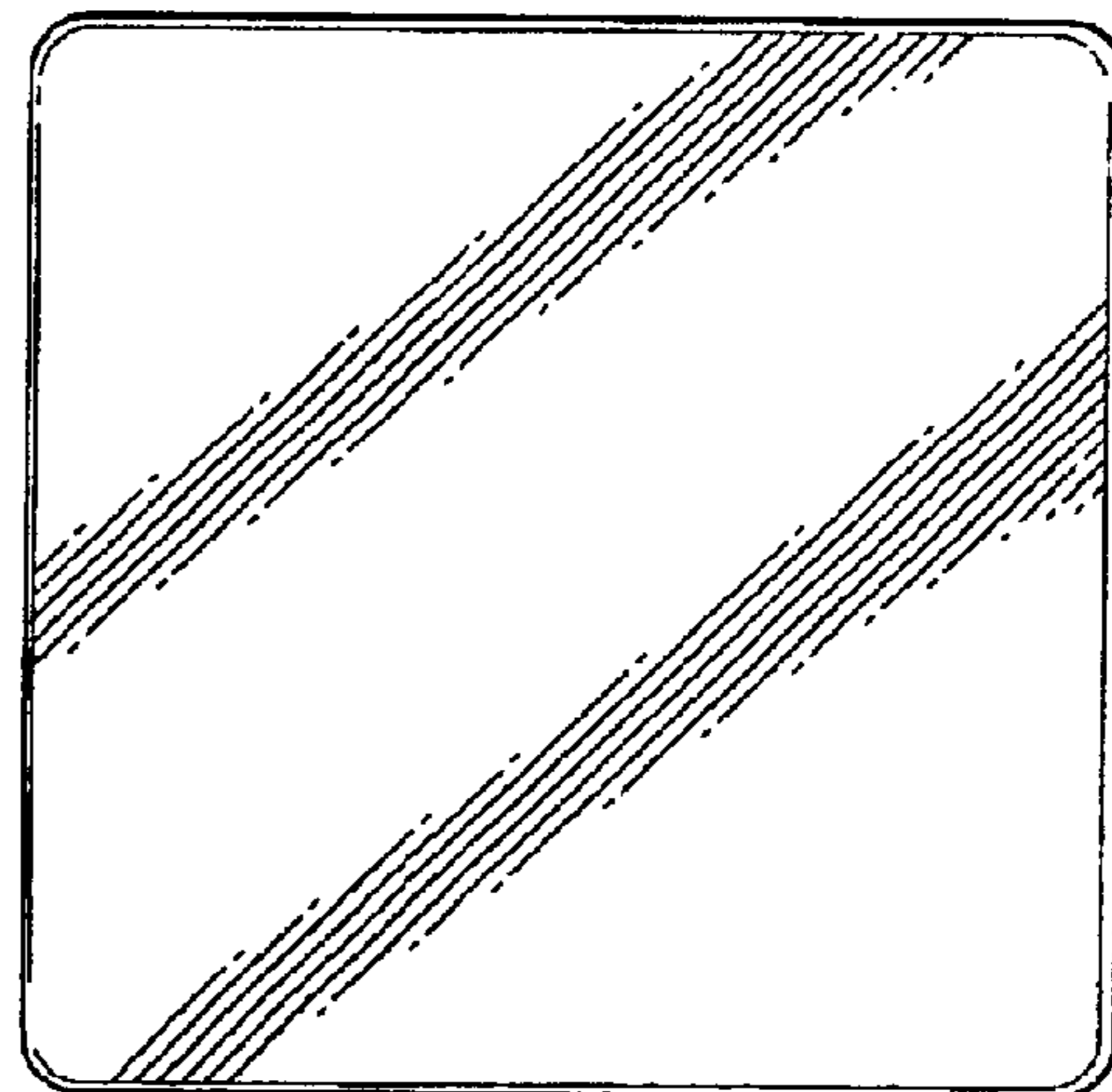


FIG - 6