

US00D492572S1

(12) **United States Design Patent**
Smith et al.

(10) **Patent No.:** **US D492,572 S**
(45) **Date of Patent:** **** Jul. 6, 2004**

(54) **WINDOW OPERATOR**
(75) Inventors: **Michael D. Smith**, Winnebago, IL
(US); **Paul F. Stephan**, Rockton, IL
(US)
(73) Assignee: **Newell Operating Company**, Freeport,
IL (US)
(**) Term: **14 Years**

D375,042 S 10/1996 Anderson et al.
5,560,082 A 10/1996 Vetter
D375,254 S 11/1996 Anderson et al.
D375,674 S 11/1996 Anderson et al.
D379,917 S 6/1997 Vetter et al.
D390,454 S 2/1998 Vetter et al.
D408,274 S 4/1999 Vetter et al.
D408,729 S 4/1999 Virkler et al.
D418,050 S 12/1999 Lisiecki et al.
6,128,858 A 10/2000 Vetter et al.
6,164,156 A 12/2000 Purcell
6,450,063 B1 * 9/2002 Harvey et al. 74/547

(21) Appl. No.: **29/174,980**

(22) Filed: **Jan. 28, 2003**

(51) **LOC (7) Cl.** **08-06**
(52) **U.S. Cl.** **D8/309**
(58) **Field of Search** D8/300, 308-309,
D8/400, 359; 74/545-548, 555-558; 16/429,
432; 292/347; 49/460

* cited by examiner

Primary Examiner—Nanda Bondade
(74) *Attorney, Agent, or Firm*—Wallenstein Wagner &
Rockey, Ltd.

(57) **CLAIM**

We claim the ornamental Design for a window operator, as shown and described.

(56) **References Cited**

U.S. PATENT DOCUMENTS

D173,336 S * 11/1954 Bancroft D8/400
4,083,264 A 4/1978 Van Klompenburg
4,189,248 A 2/1980 Sully
4,209,266 A 6/1980 Bowen et al.
4,253,276 A 3/1981 Peterson et al.
4,266,371 A 5/1981 Erdman et al.
4,305,228 A 12/1981 Nelson
4,346,372 A 8/1982 Sandberg
4,521,993 A 6/1985 Tacheny et al.
4,617,758 A 10/1986 Vetter
4,679,352 A 7/1987 Bates
4,860,493 A 8/1989 Lense
4,887,392 A 12/1989 Lense
D350,666 S 9/1994 Wobschall et al.
D360,357 S * 7/1995 Peterson et al. D8/309
D361,490 S 8/1995 Vetter
5,440,839 A 8/1995 Piltingsrud
5,467,503 A 11/1995 Nolte et al.
D365,513 S 12/1995 Vetter et al.
5,493,813 A 2/1996 Vetter et al.
5,531,045 A 7/1996 Piltingsrud
5,531,138 A 7/1996 Vetter

DESCRIPTION

FIG. 1 is a perspective view of a window operator showing our new design;
FIG. 2 is a side elevation view of the design, the other side elevation view of the design being a mirror image;
FIG. 3 is a front elevation view of the design;
FIG. 4 is a rear elevation view of the design;
FIG. 5 is a top plan view of the design;
FIG. 6 is a bottom plan view of the design;
FIG. 7 is a perspective view of an alternative embodiment of FIG. 1;
FIG. 8 is a side elevation view of FIG. 7, the other side elevation view being a mirror image;
FIG. 9 is a front elevation view of FIG. 7;
FIG. 10 is a rear elevation view of FIG. 7;
FIG. 11 is a top plan view of FIG. 7; and,
FIG. 12 is a bottom plan view of FIG. 7.
The broken-line disclosure is for illustrative purposes only and forms no part of the claimed design.

1 Claim, 4 Drawing Sheets

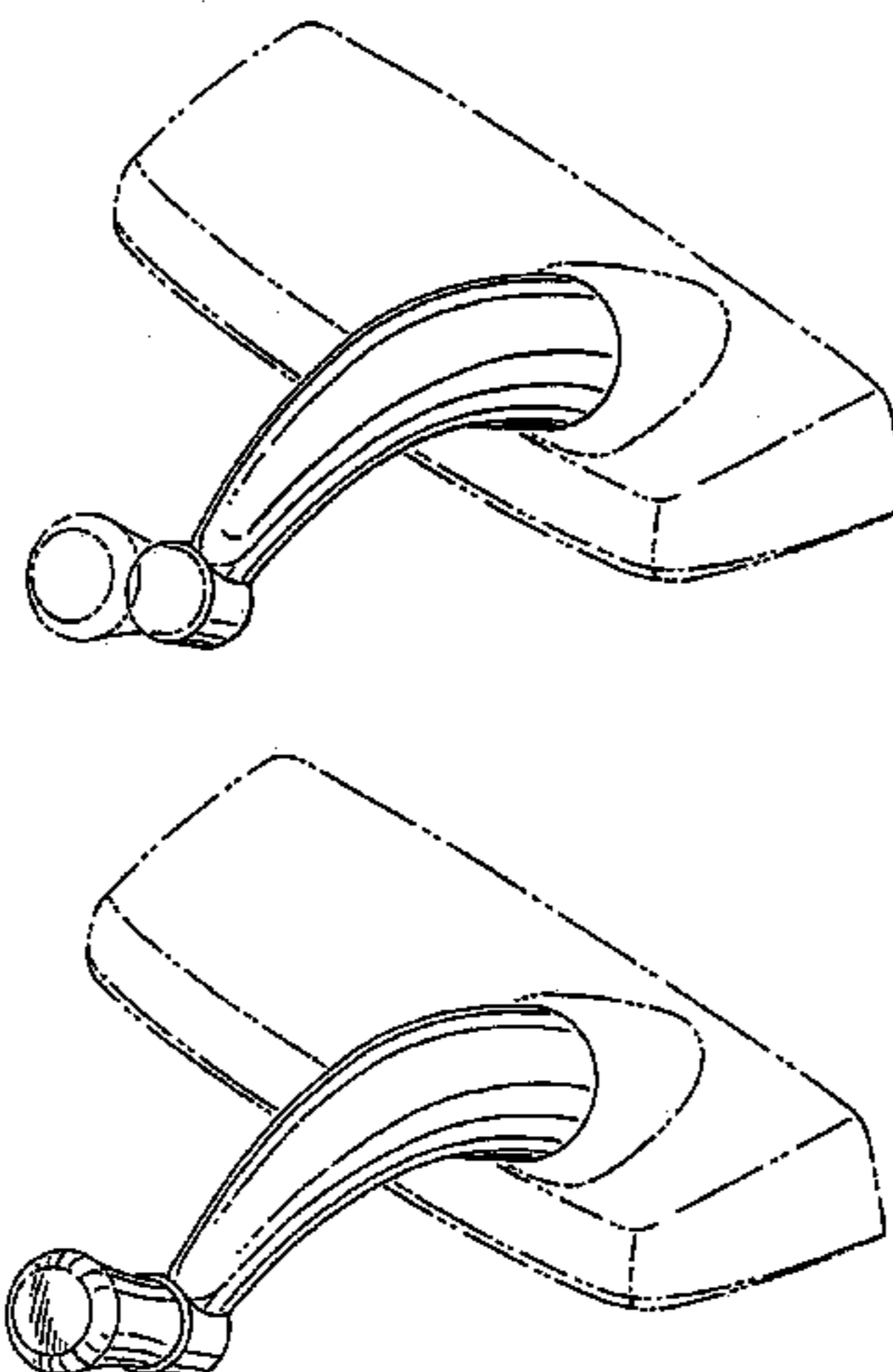


FIG. 1

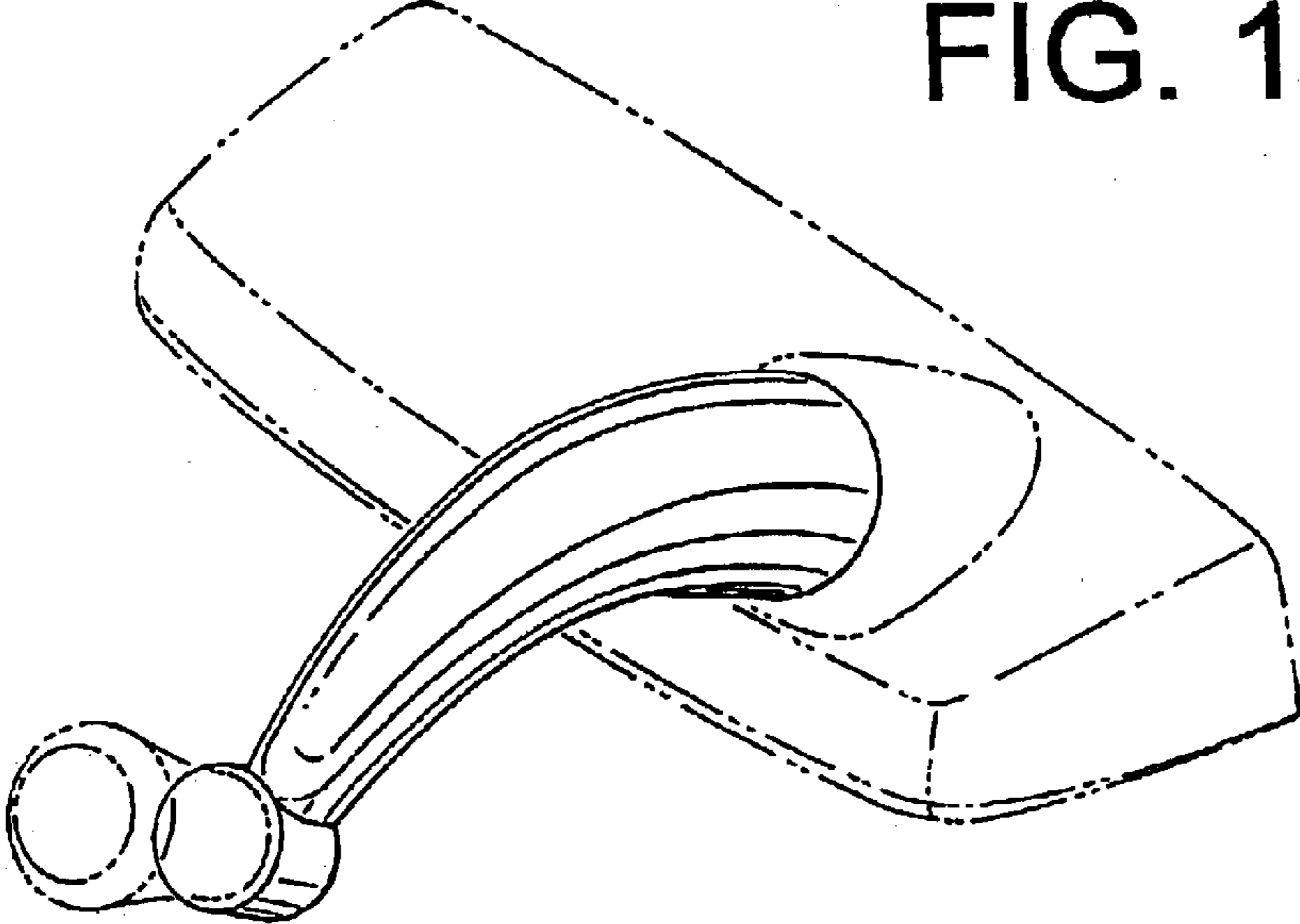


FIG. 2



FIG. 3

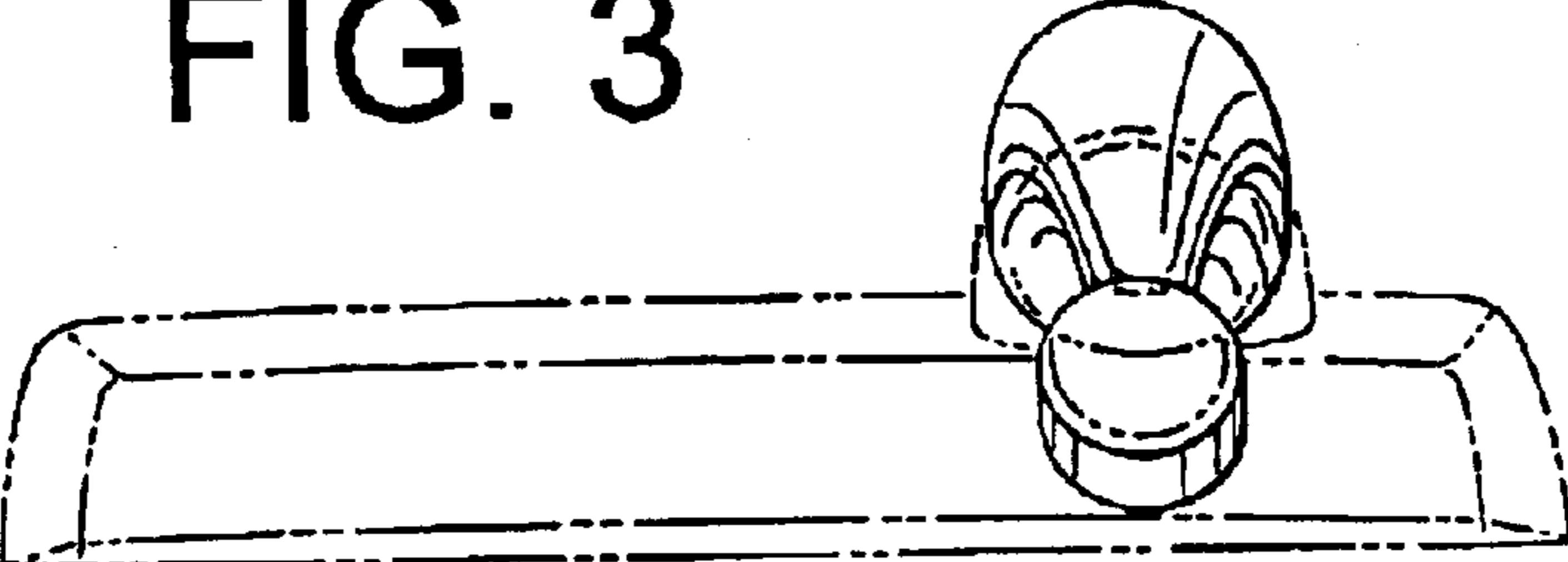
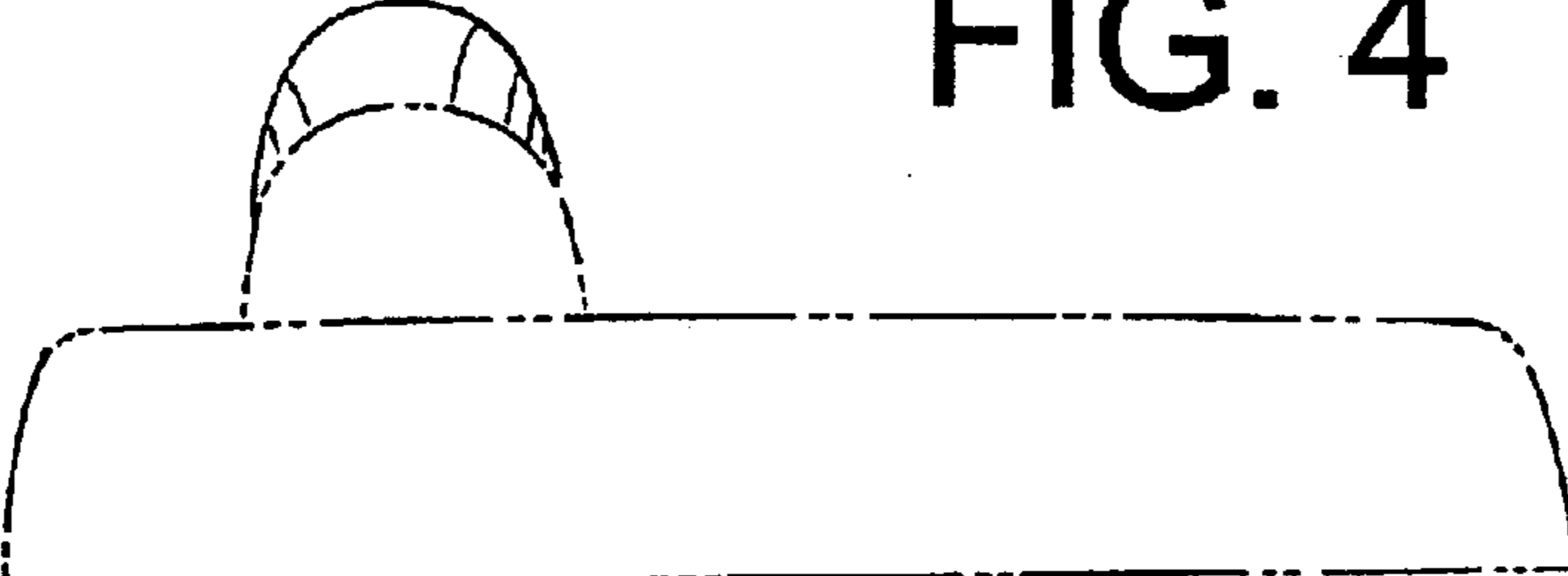


FIG. 4



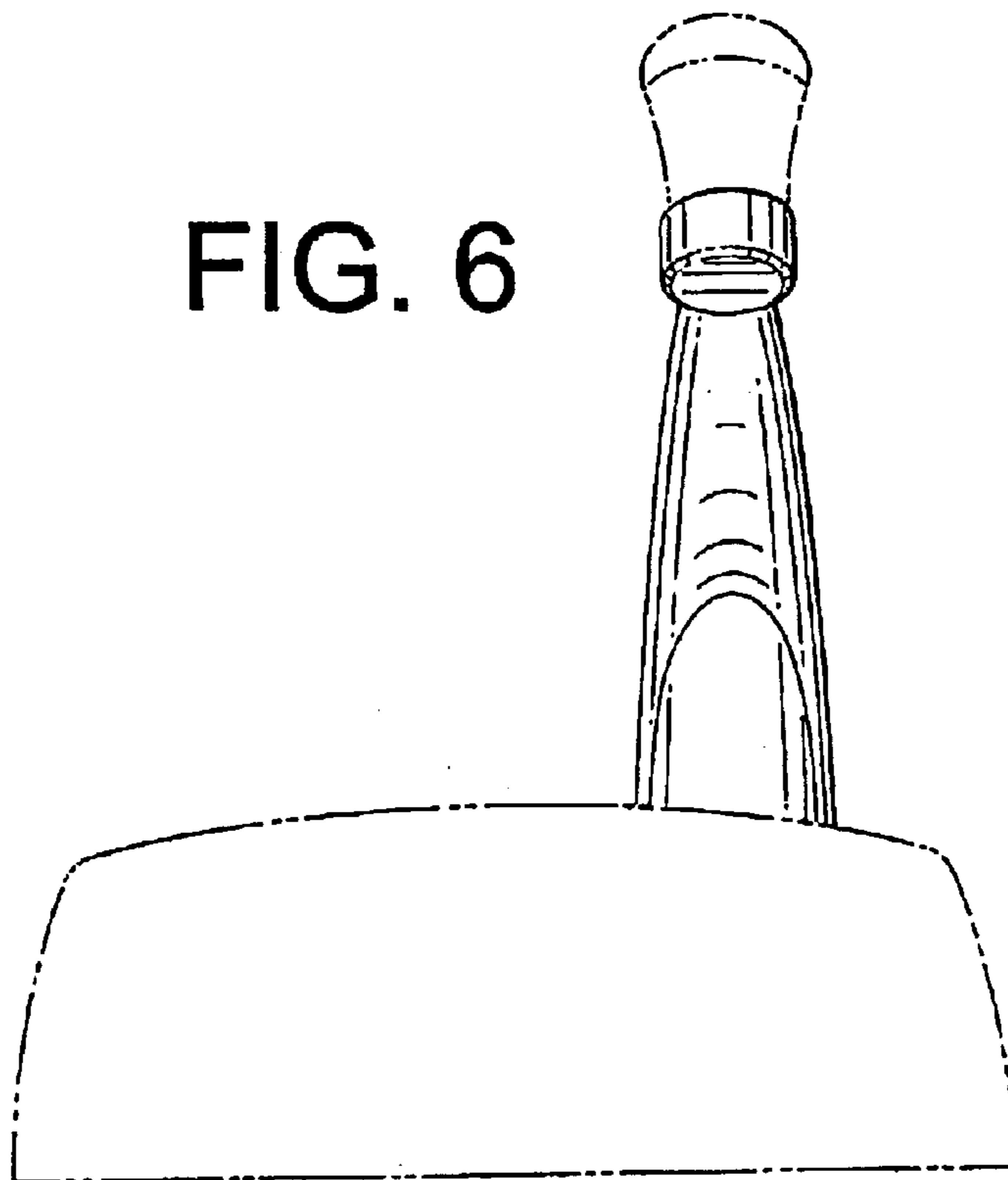
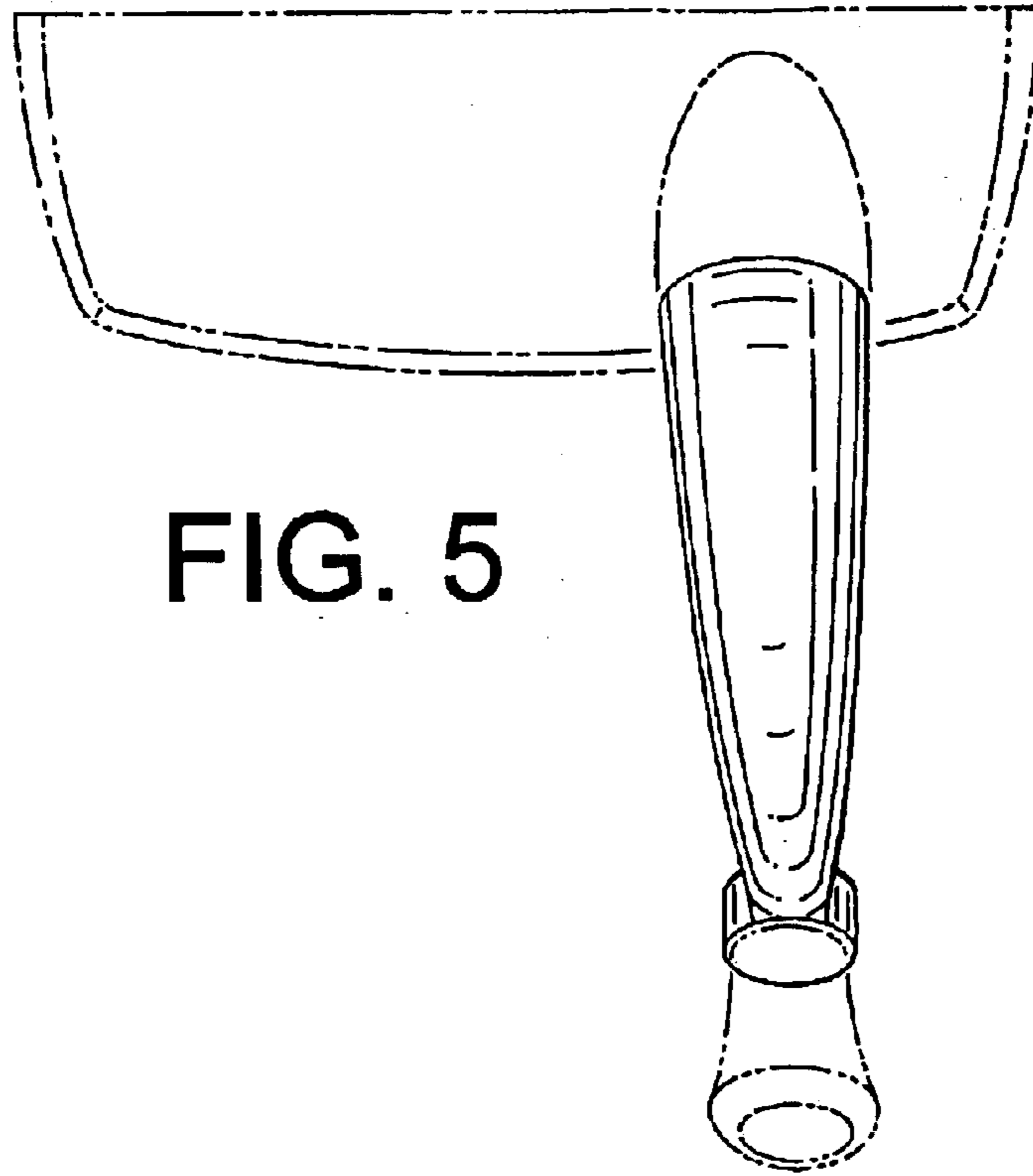


FIG. 7

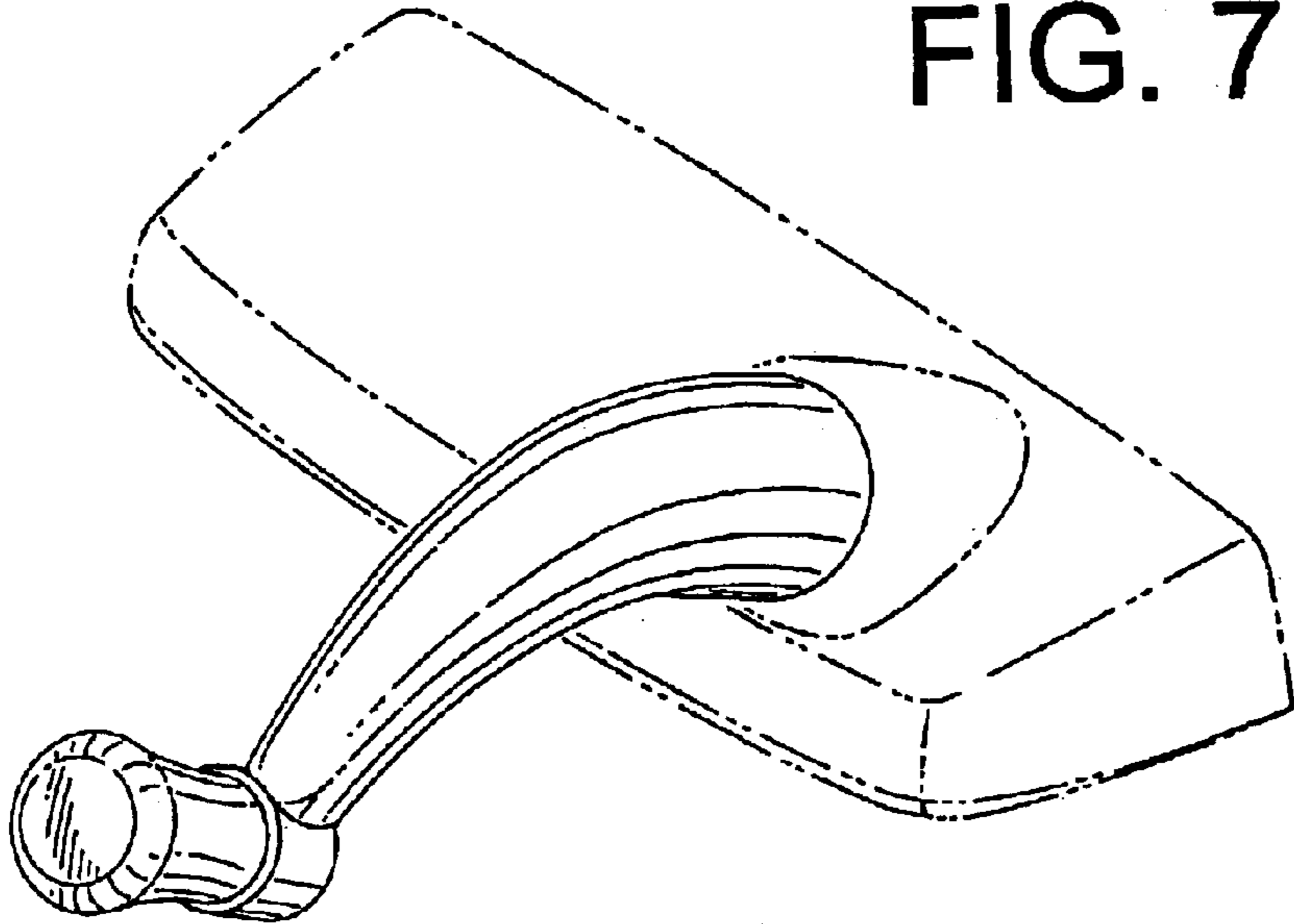


FIG. 8

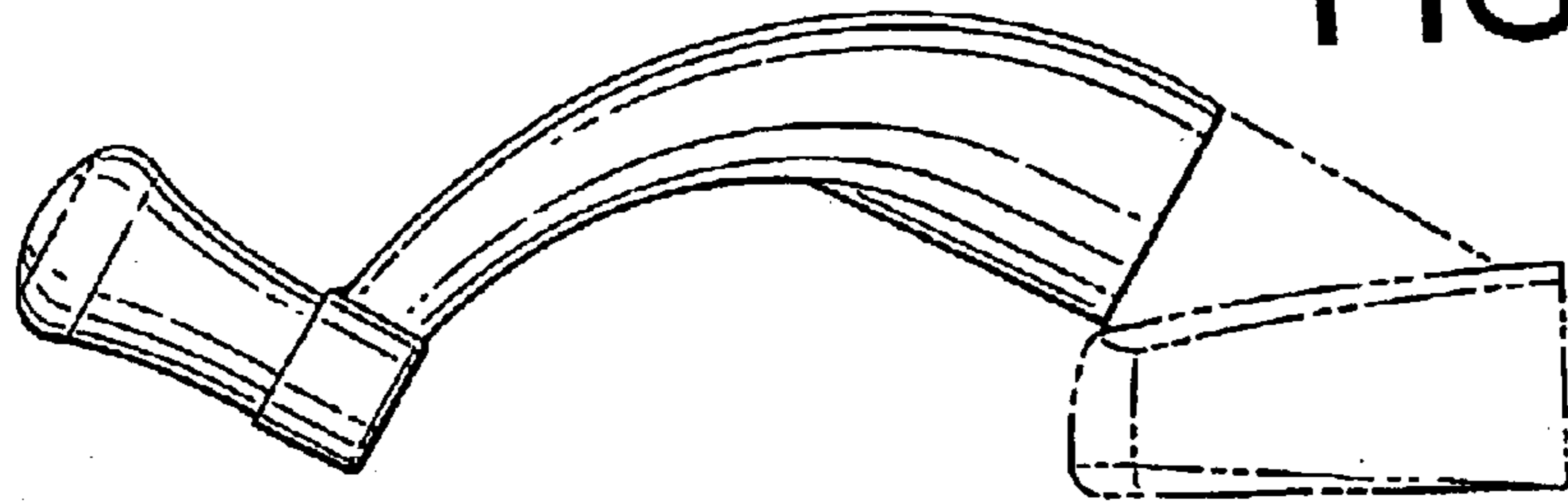


FIG. 9

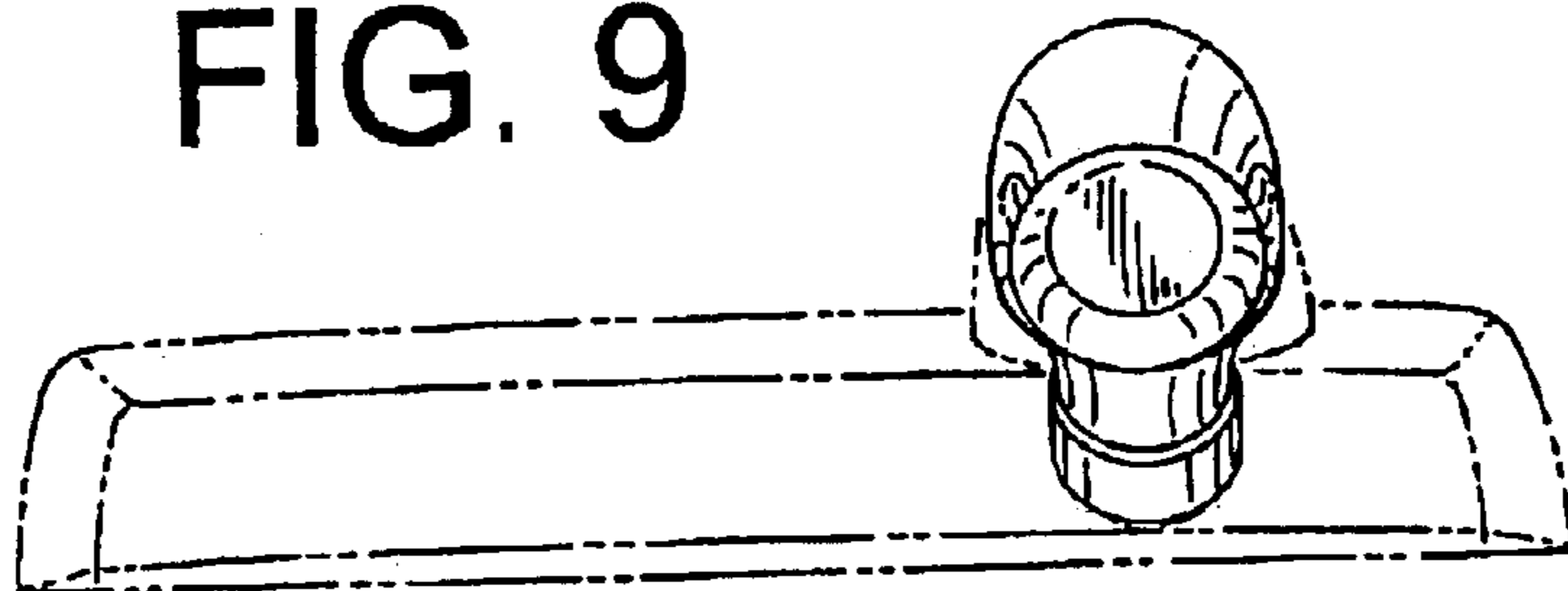
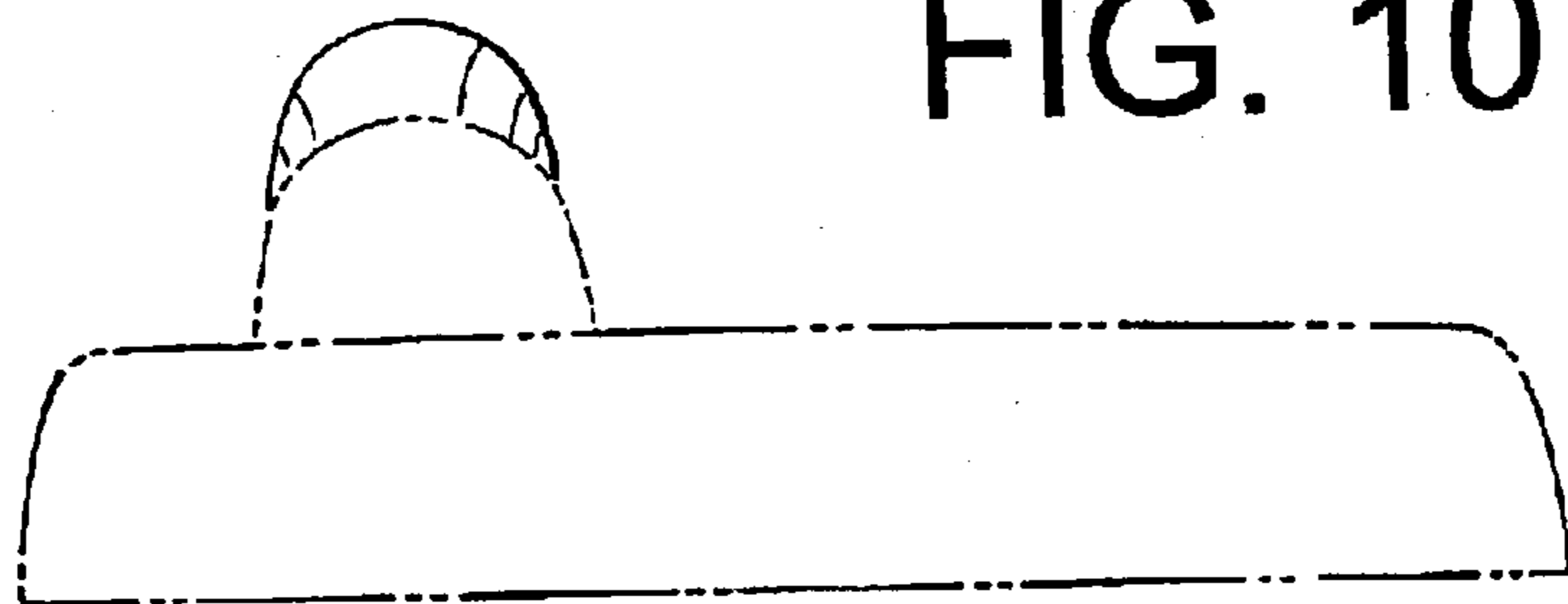


FIG. 10



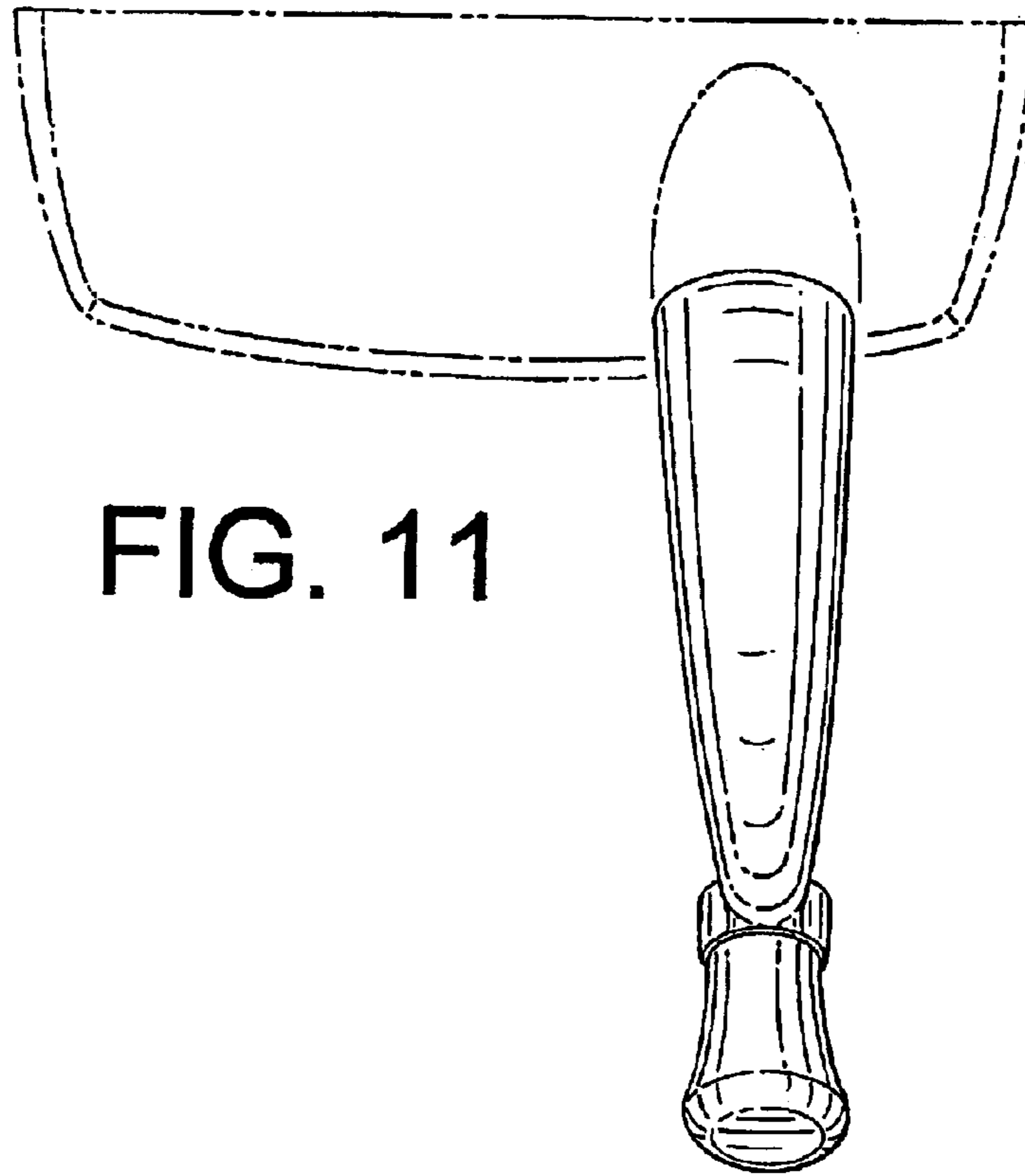


FIG. 11

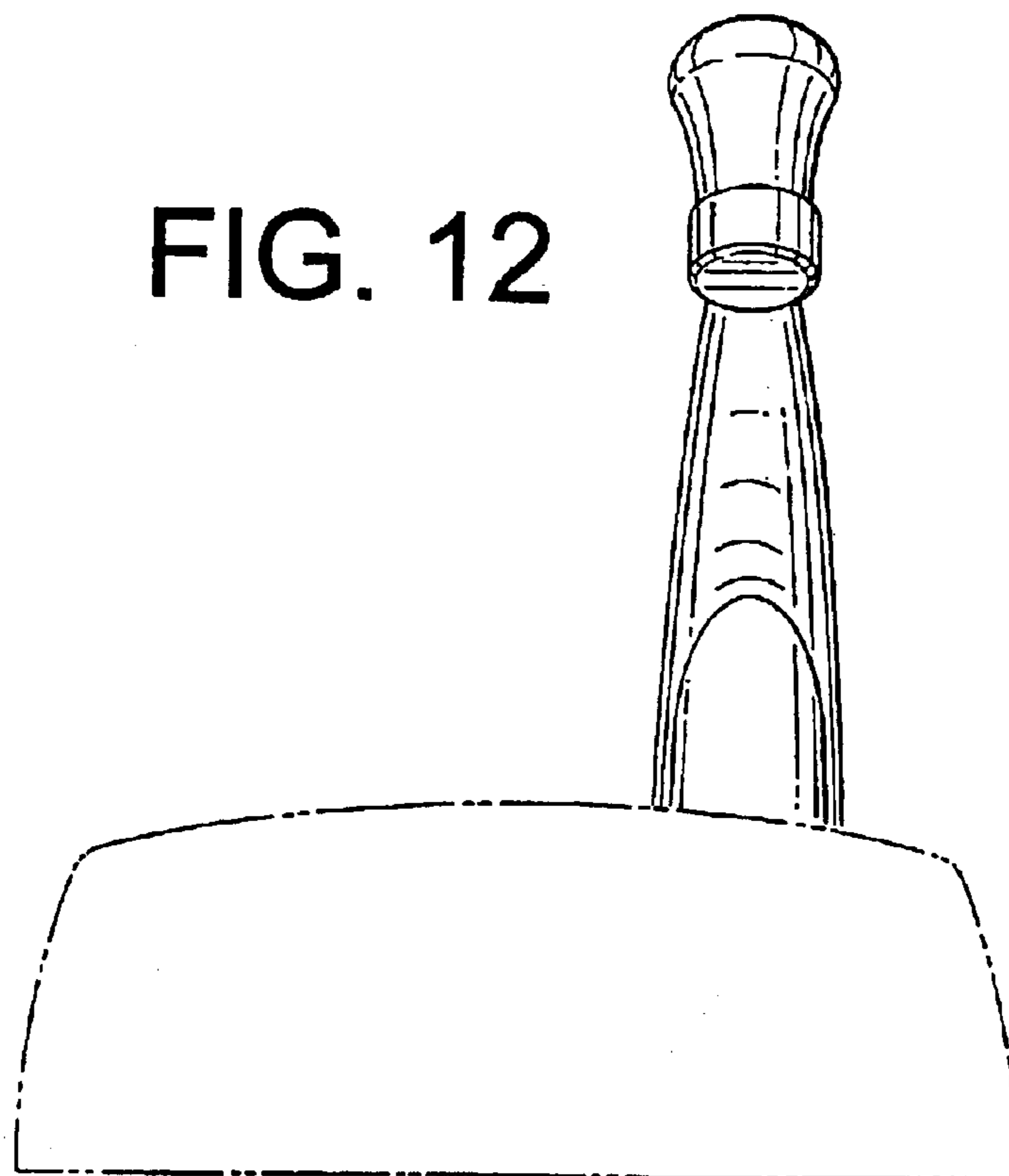


FIG. 12