

US00D492571S1

(12) **United States Design Patent**
Linares

(10) **Patent No.:** **US D492,571 S**
(45) **Date of Patent:** **** Jul. 6, 2004**

(54) **PADLOCKABLE L-HANDLE**
(75) **Inventor:** **Rodolfo Linares**, Whittier, CA (US)
(73) **Assignee:** **S.P.E.P. Acquisition Corp.**, Rancho Dominguez, CA (US)
(**) **Term:** **14 Years**

Primary Examiner—Nanda Bondade
(74) *Attorney, Agent, or Firm*—Christie, Parker & Hale, LLP

(21) **Appl. No.:** **29/186,715**
(22) **Filed:** **Jul. 21, 2003**

(57) **CLAIM**

The ornamental design for padlockable L-handle, as shown and described.

(51) **LOC (7) Cl.** **08-06**
(52) **U.S. Cl.** **D8/308**
(58) **Field of Search** D8/300–302, 308–309, D8/400, 359, 353, 341, DIG. 8, DIG. 9, DIG. 10; 74/545–548, 555–558; 16/429, 432; 292/347, 336.3

DESCRIPTION

FIG. 1 is a front right perspective view of the padlockable L-handle of the invention.
FIG. 2 is a front view of the padlockable L-handle of FIG. 1;
FIG. 3 is a rear view of the padlockable L-handle of FIG. 1;
FIG. 4 is a top view of the padlockable L-handle of FIG. 1.
FIG. 5 is a bottom view of the padlockable L-handle of FIG. 1.
FIG. 6 is a right side view of the padlockable L-handle of FIG. 1; and,
FIG. 7 is a left side view of the padlockable L-handle of FIG. 1.
The broken line showing on FIG. 3 is for illustrative purposes only and forms no part of the claimed design.

(56) **References Cited**
U.S. PATENT DOCUMENTS

D78,656 S	*	5/1929	Schnell	D8/341
D87,831 S	*	9/1932	Ferris	D8/308
D189,524 S	*	1/1961	Savage	D8/302
D312,565 S	*	12/1990	Abraham et al.	D8/301
5,529,354 A	*	6/1996	Studt et al.	292/336.3

* cited by examiner

1 Claim, 4 Drawing Sheets

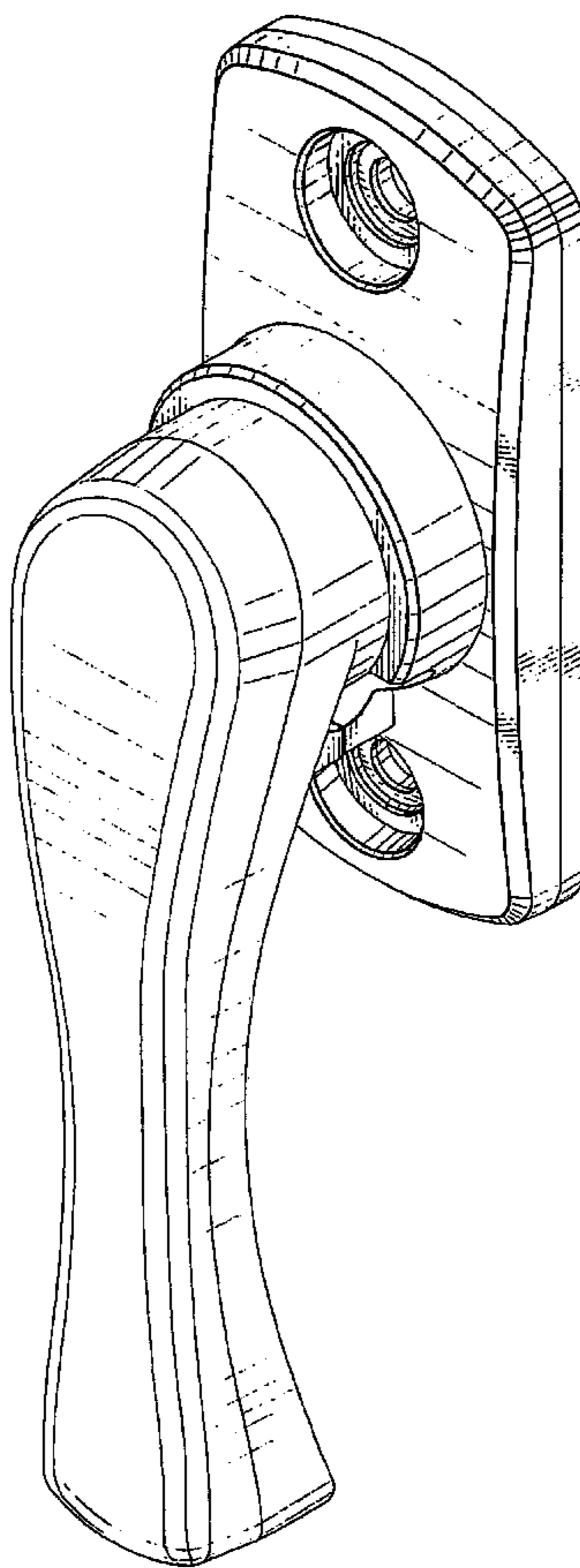


FIG. 1

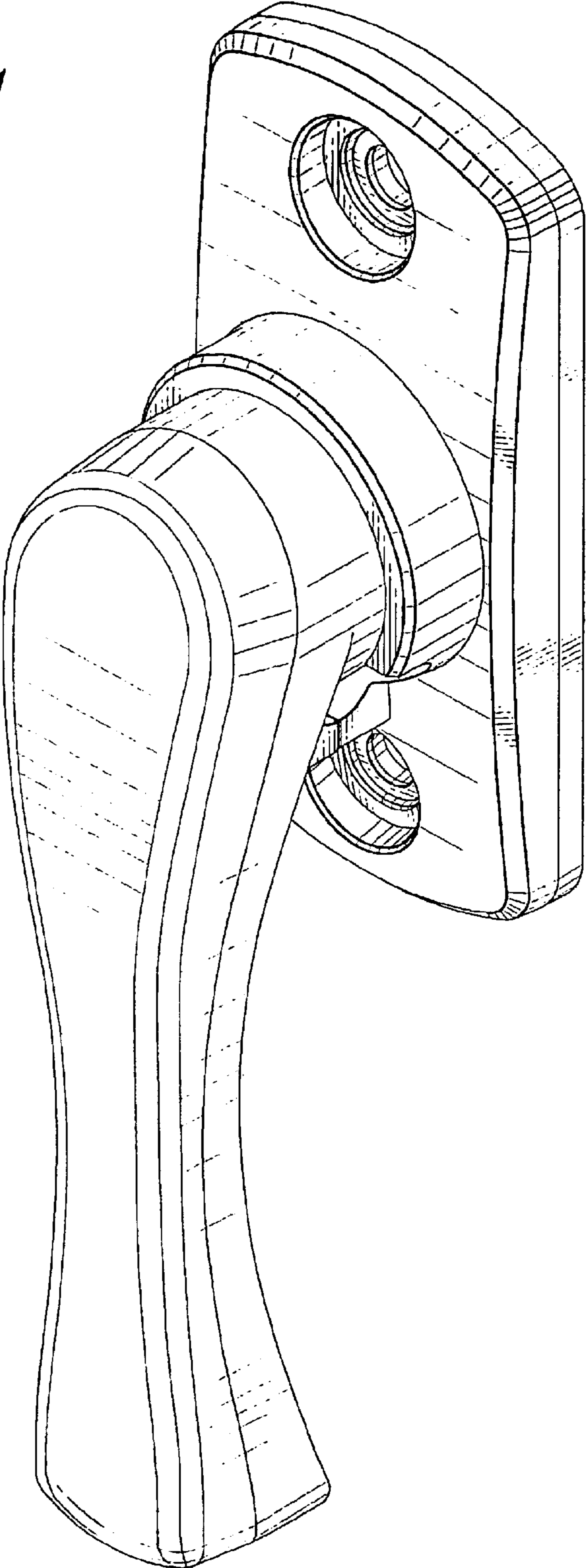


FIG. 2

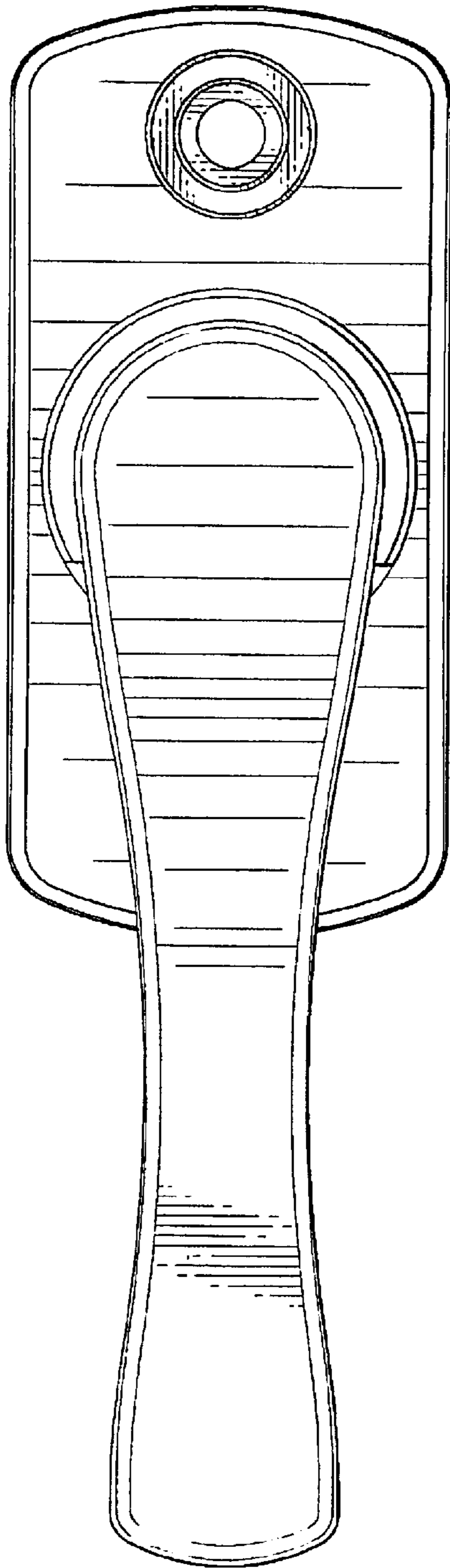


FIG. 3

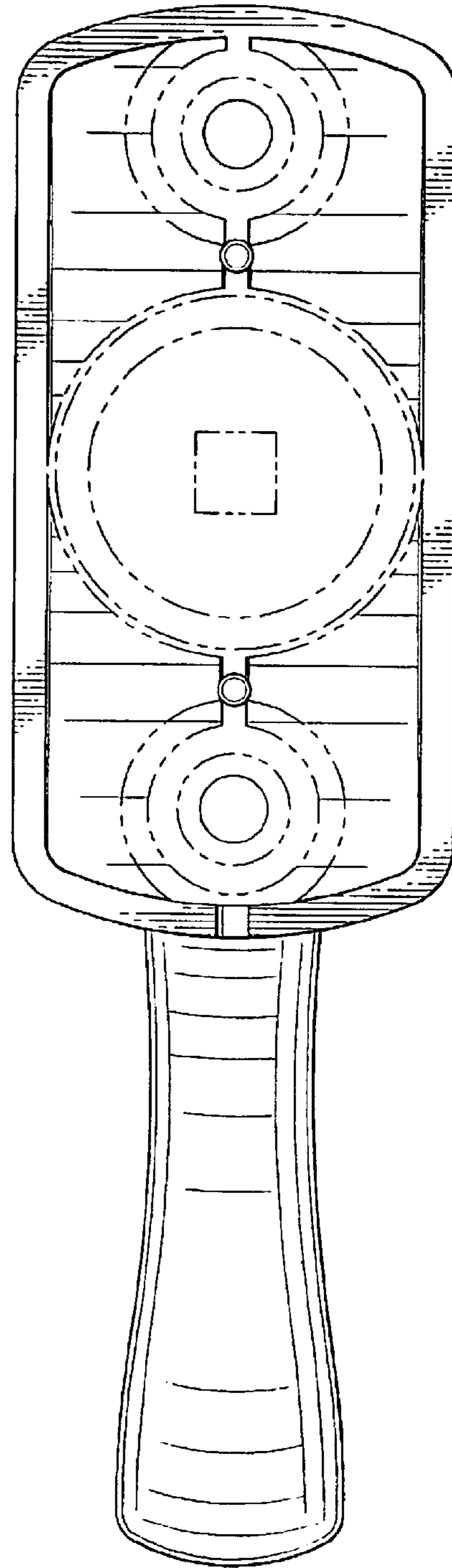


FIG. 4

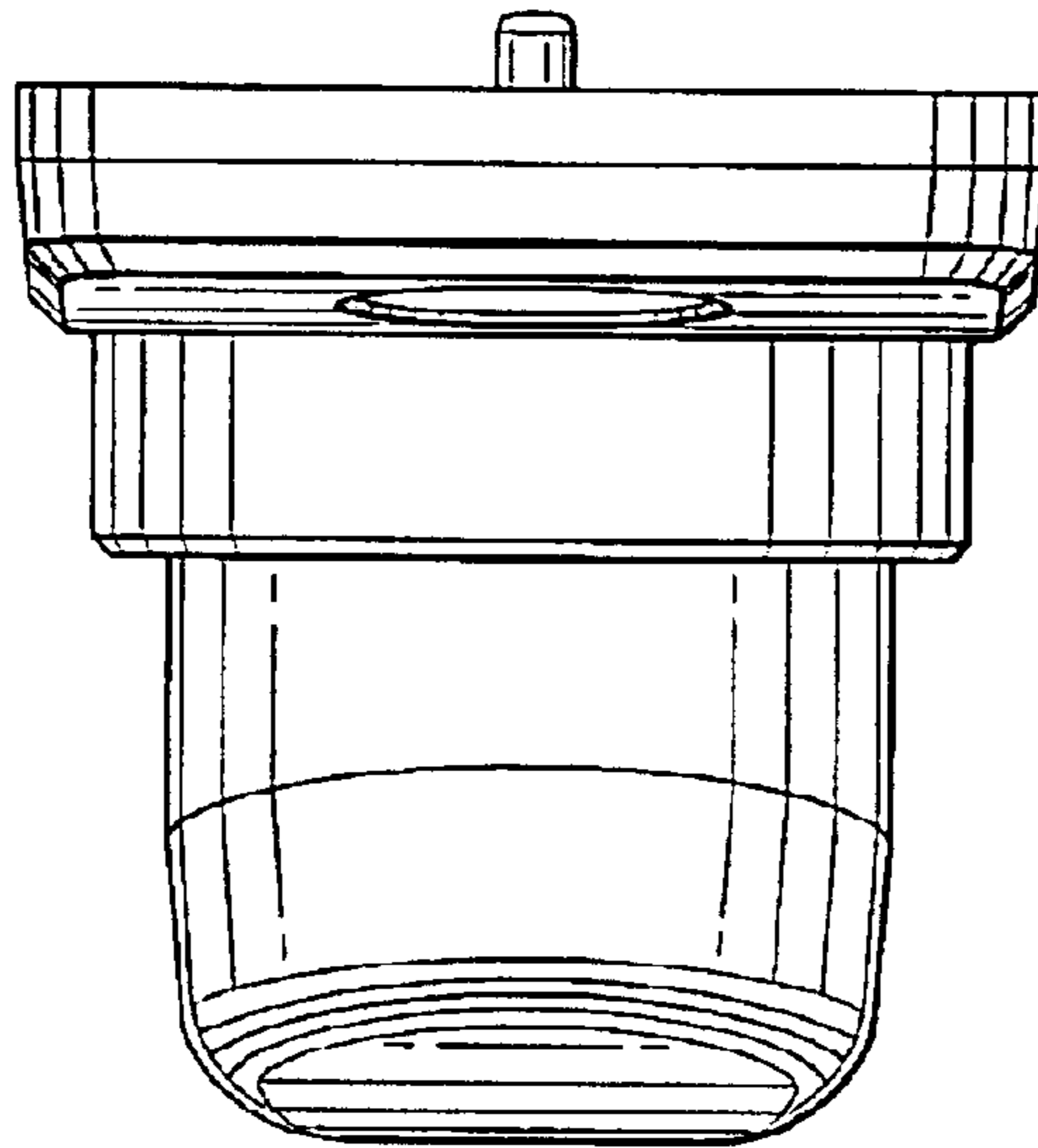


FIG. 5

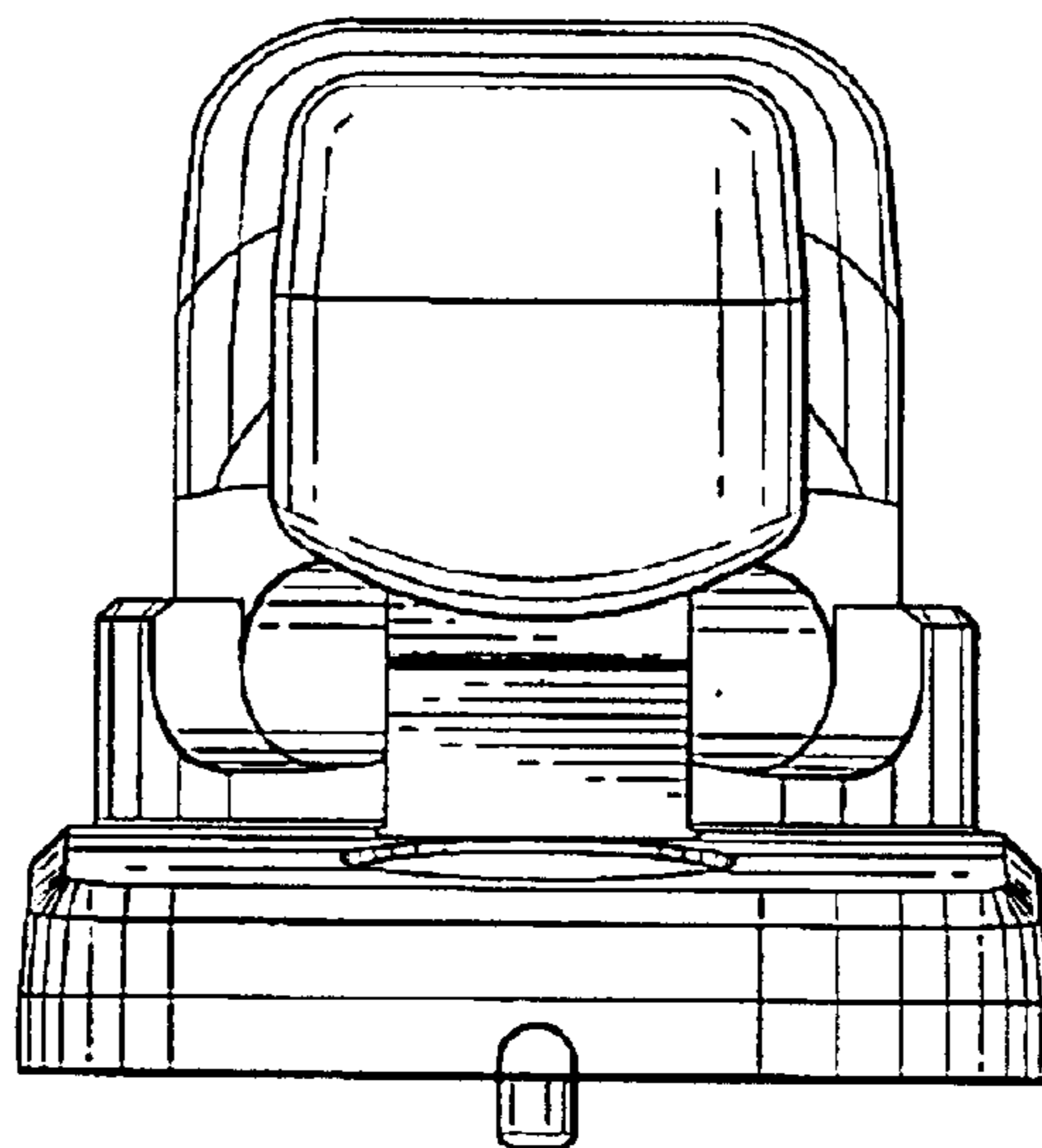


FIG. 6

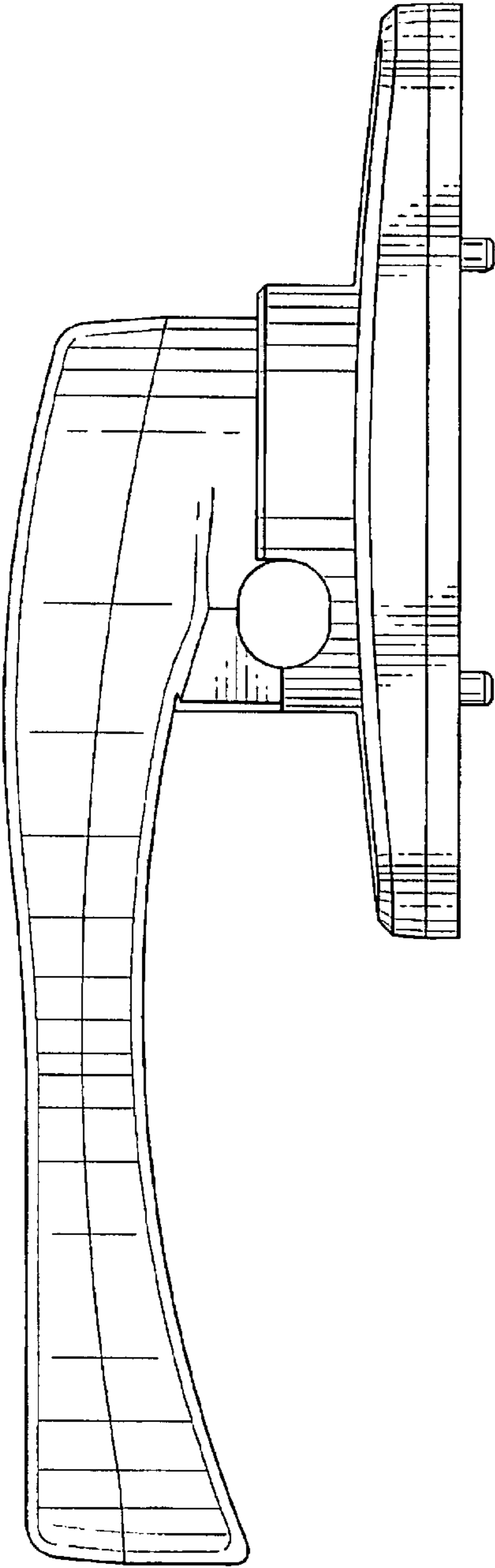


FIG. 7

