

US00D492570S1

(12) **United States Design Patent**
Linares

(10) **Patent No.:** **US D492,570 S**
(45) **Date of Patent:** **** Jul. 6, 2004**

(54) **LOCKABLE L-HANDLE**
(75) Inventor: **Rodolfo Linares**, Whittier, CA (US)
(73) Assignee: **S.P.E.P. Acquisition Corp.**, Rancho Dominguez, CA (US)
(**) Term: **14 Years**

Primary Examiner—Nanda Bondade
(74) *Attorney, Agent, or Firm*—Christie, Parker & Hale, LLP

(21) Appl. No.: **29/185,859**
(22) Filed: **Jul. 3, 2003**
(51) **LOC (7) Cl.** **08-06**
(52) **U.S. Cl.** **D8/308**
(58) **Field of Search** D8/300–302, 308–309, D8/400, 359, 353, 341, DIG. 8, DIG. 9, DIG. 10; 74/545–548, 555–558; 16/429, 432; 292/347, 336.3

(57) **CLAIM**

The ornamental design for lockable L-handle, as shown and described.

DESCRIPTION

FIG. 1 is a front perspective right perspective view of the lockable L-handle of the invention, shown in its lockable position.

FIG. 2 is a front perspective right perspective view of the lockable L-handle of the invention, shown with its grip handle moved out of the lockable position.

FIG. 3 is a front view of the lockable L-handle of FIG. 1; FIG. 4 is a rear view of the lockable L-handle of FIG. 1; FIG. 5 is a top plan view of the lockable L-handle of FIG. 1.

FIG. 6 is a bottom plan view of the lockable L-handle of FIG. 1.

FIG. 7 is a right side view of the lockable L-handle of FIG. 1; and,

FIG. 8 is a left side view of the lockable L-handle of FIG. 1.

The broken line showing on FIGS. 4–8 is for illustrative purposes only and forms no part of the claimed design.

(56) **References Cited**

U.S. PATENT DOCUMENTS

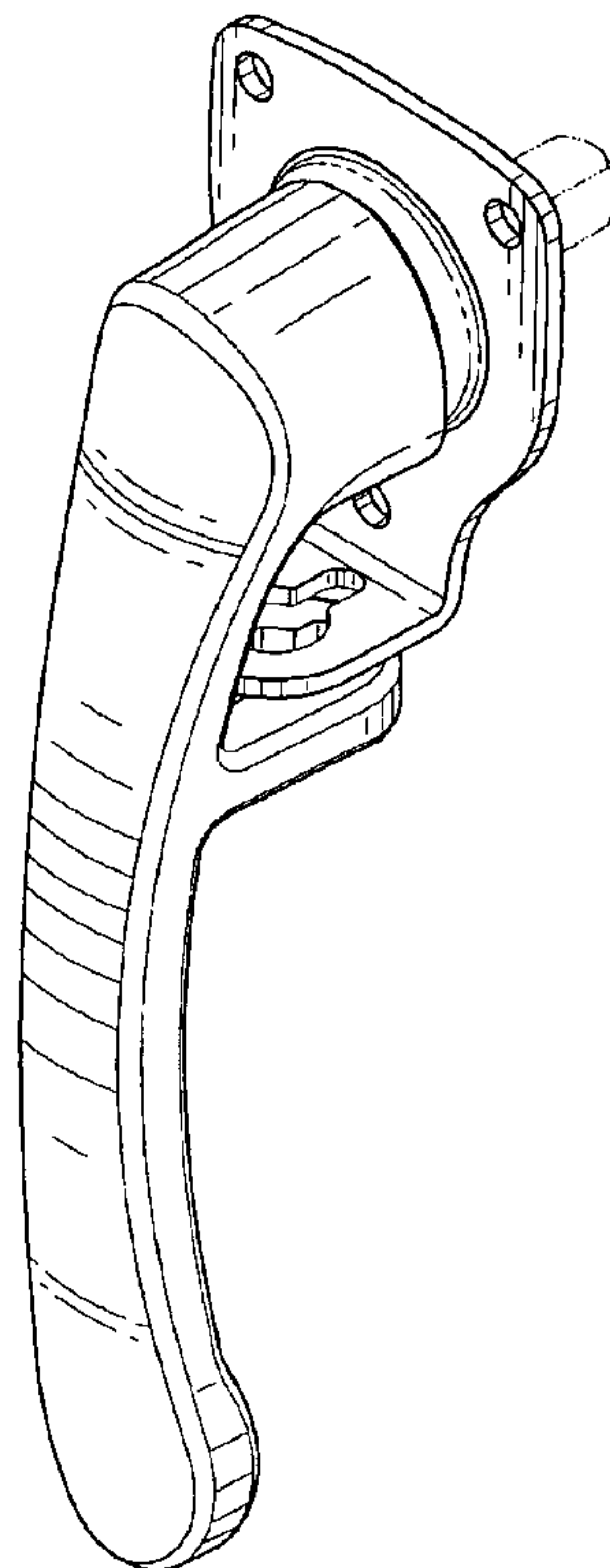
D78,656 S	*	5/1929	Schnell	D8/341
D87,831 S	*	9/1932	Ferris	D8/308
D189,524 S	*	1/1961	Savage	D8/302
D409,072 S	*	5/1999	Clavin	D8/301
6,068,308 A	*	5/2000	Molzer	292/336.3
6,546,765 B1	*	4/2003	Linares	292/336.3

OTHER PUBLICATIONS

Austin Hardware Catalogue, Padlock Handles, 3 pages, 1993, Austin, Texas.

* cited by examiner

1 Claim, 4 Drawing Sheets



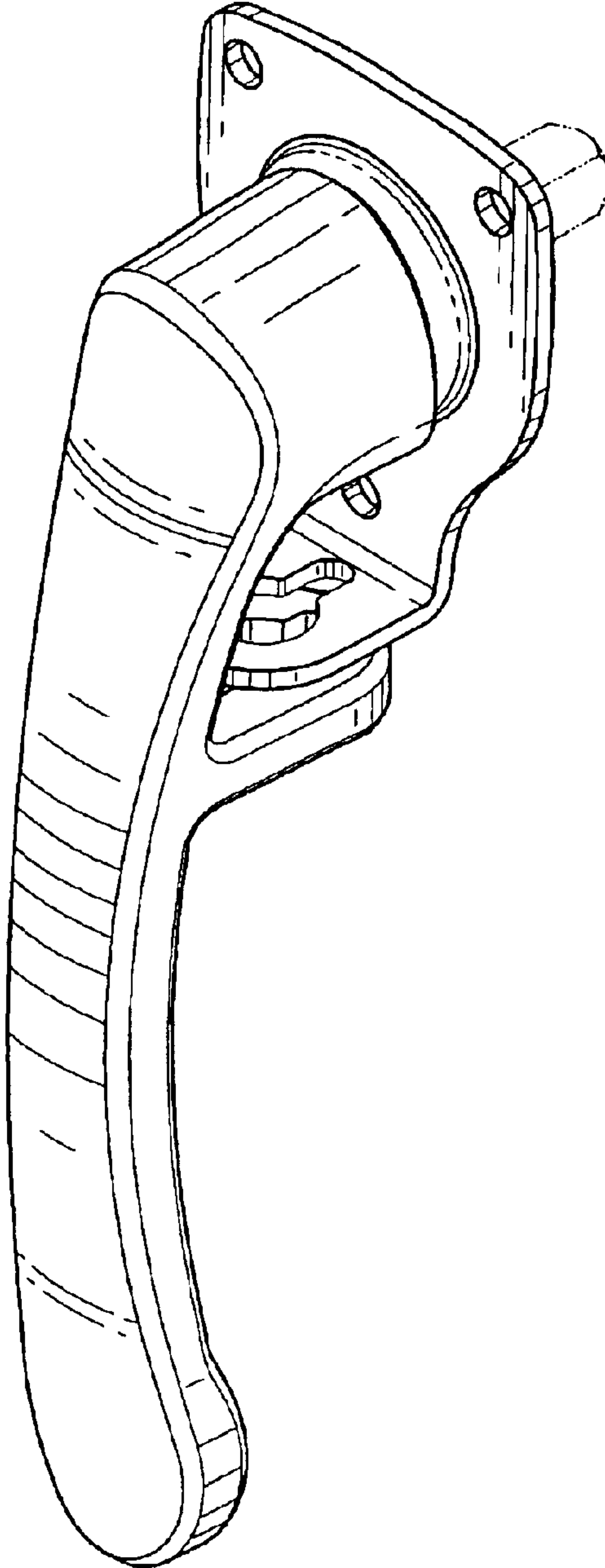


FIG. 1

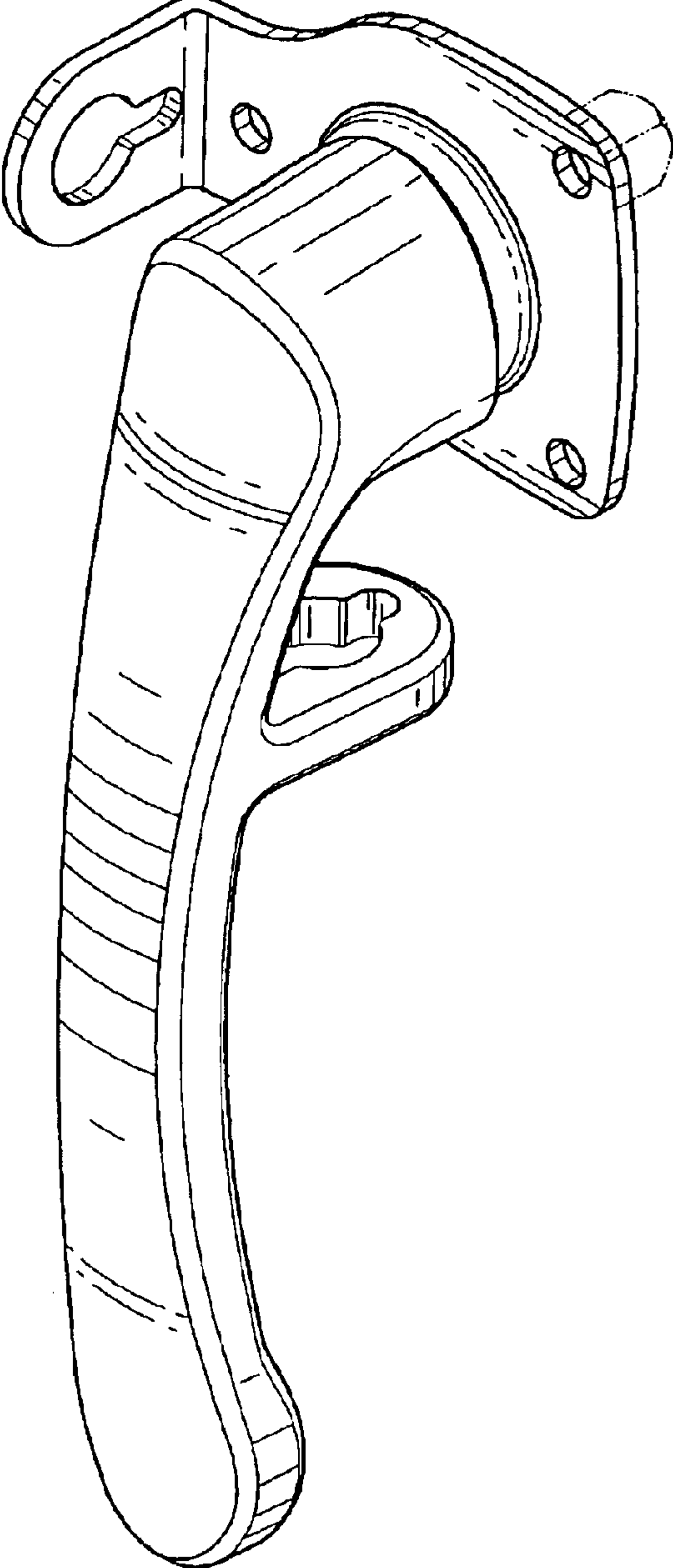


FIG. 2

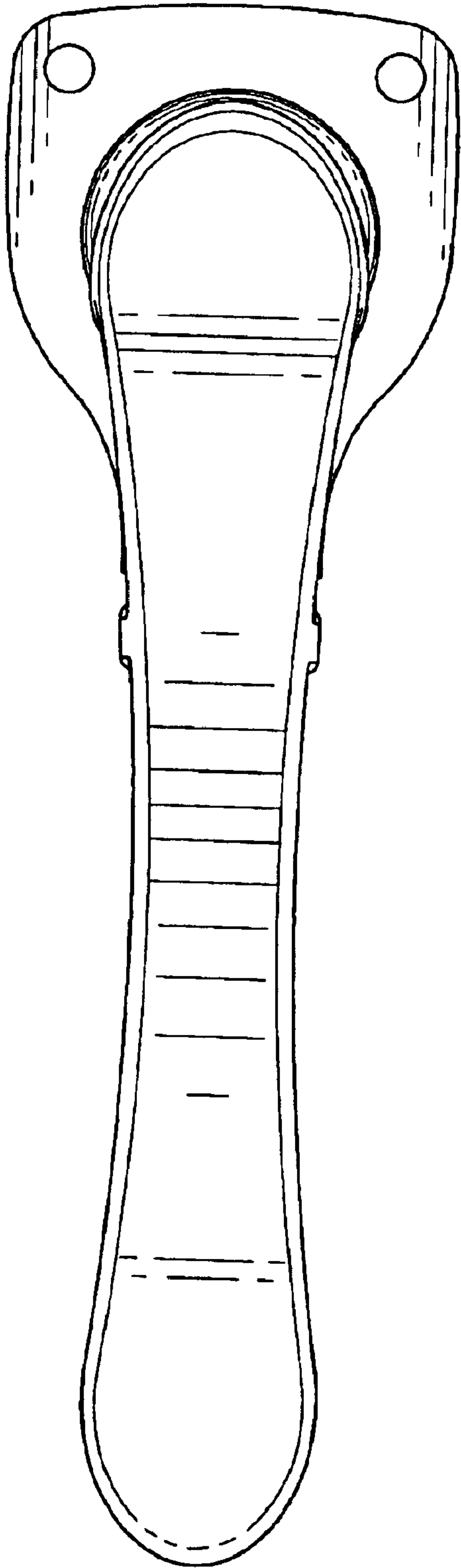


FIG. 3

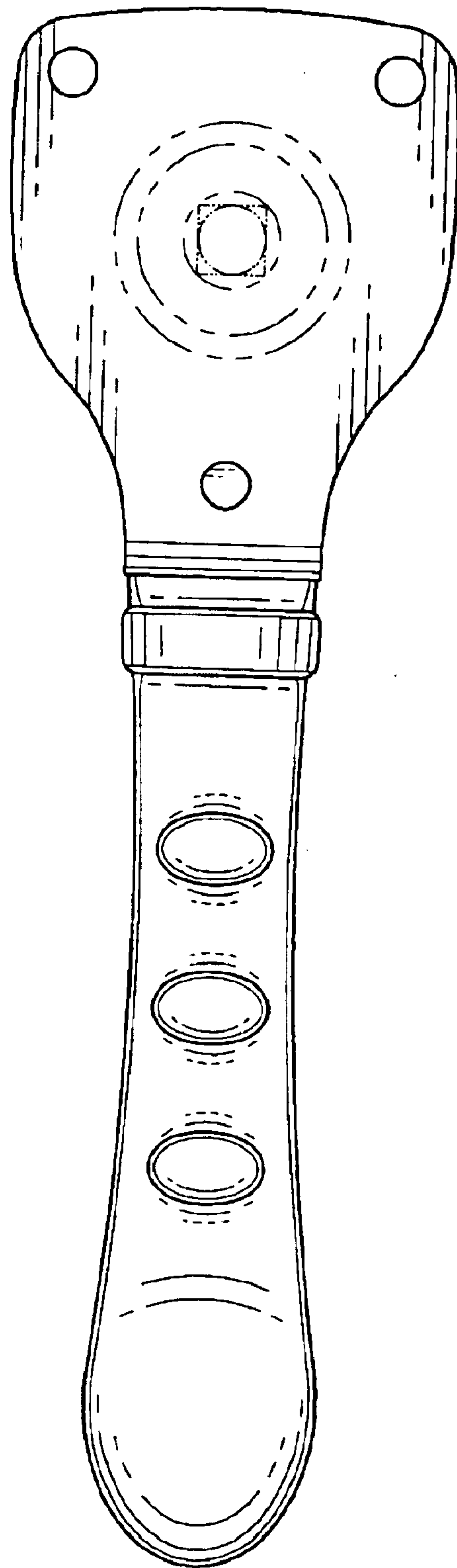


FIG. 4

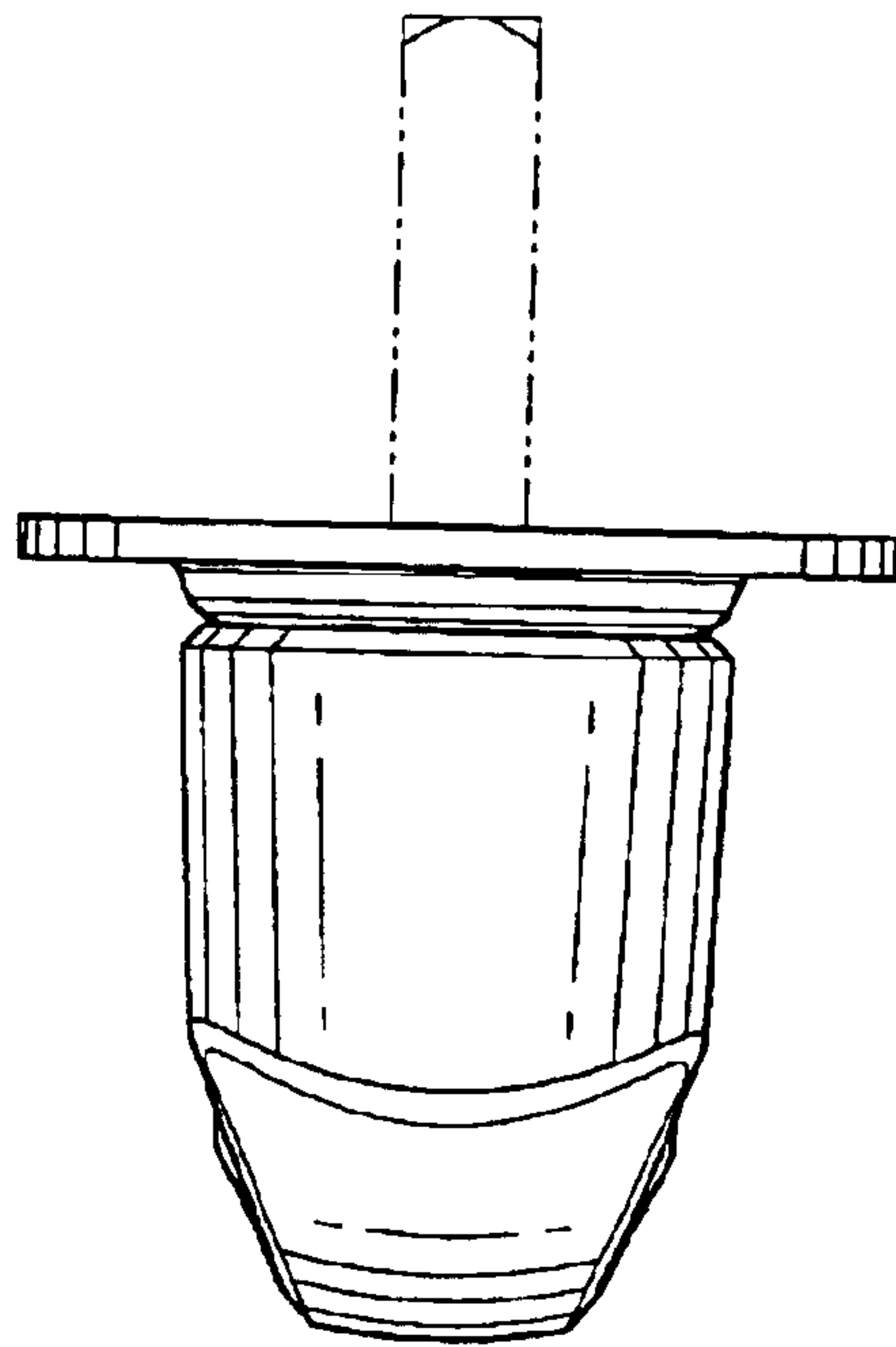


FIG. 5

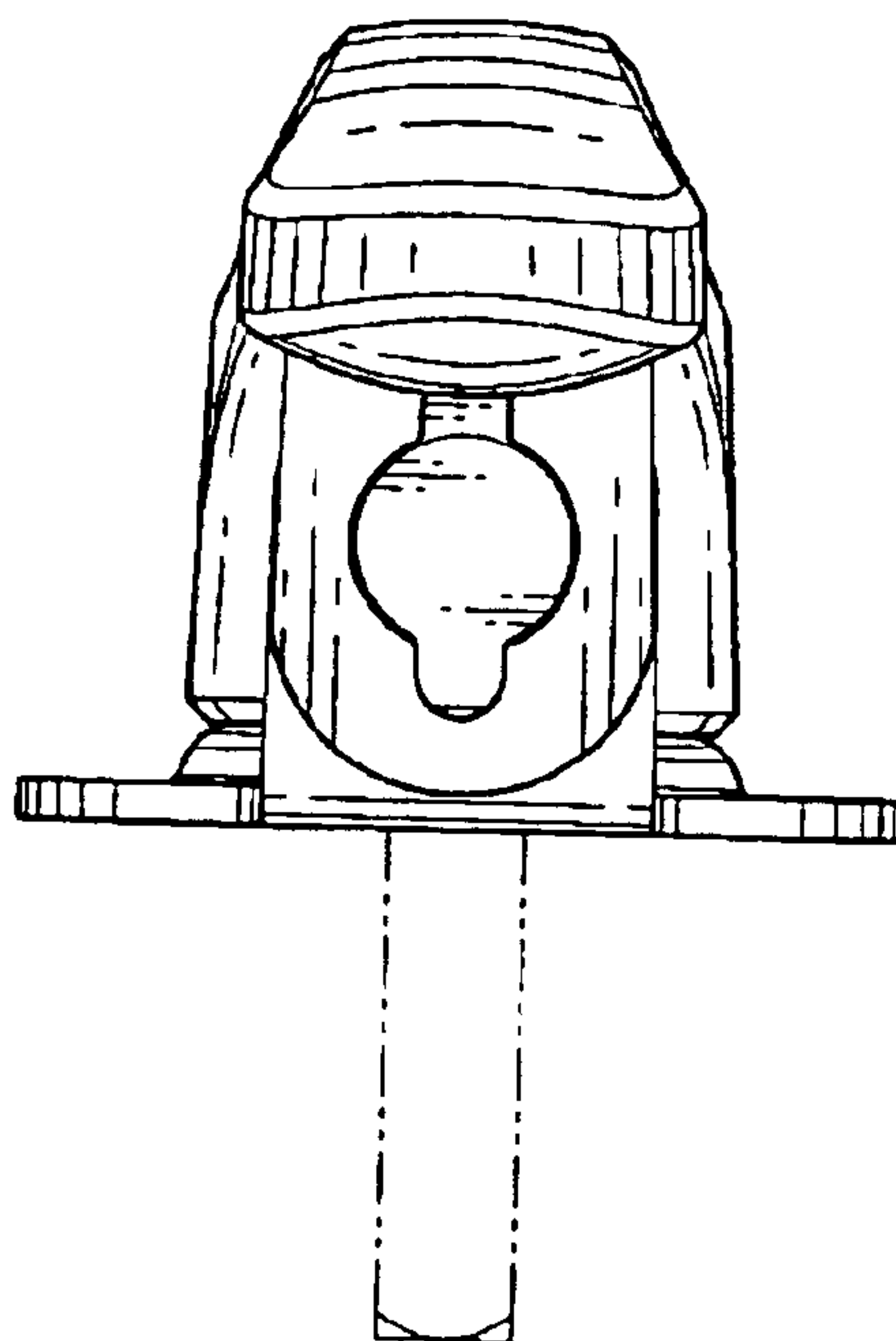


FIG. 6

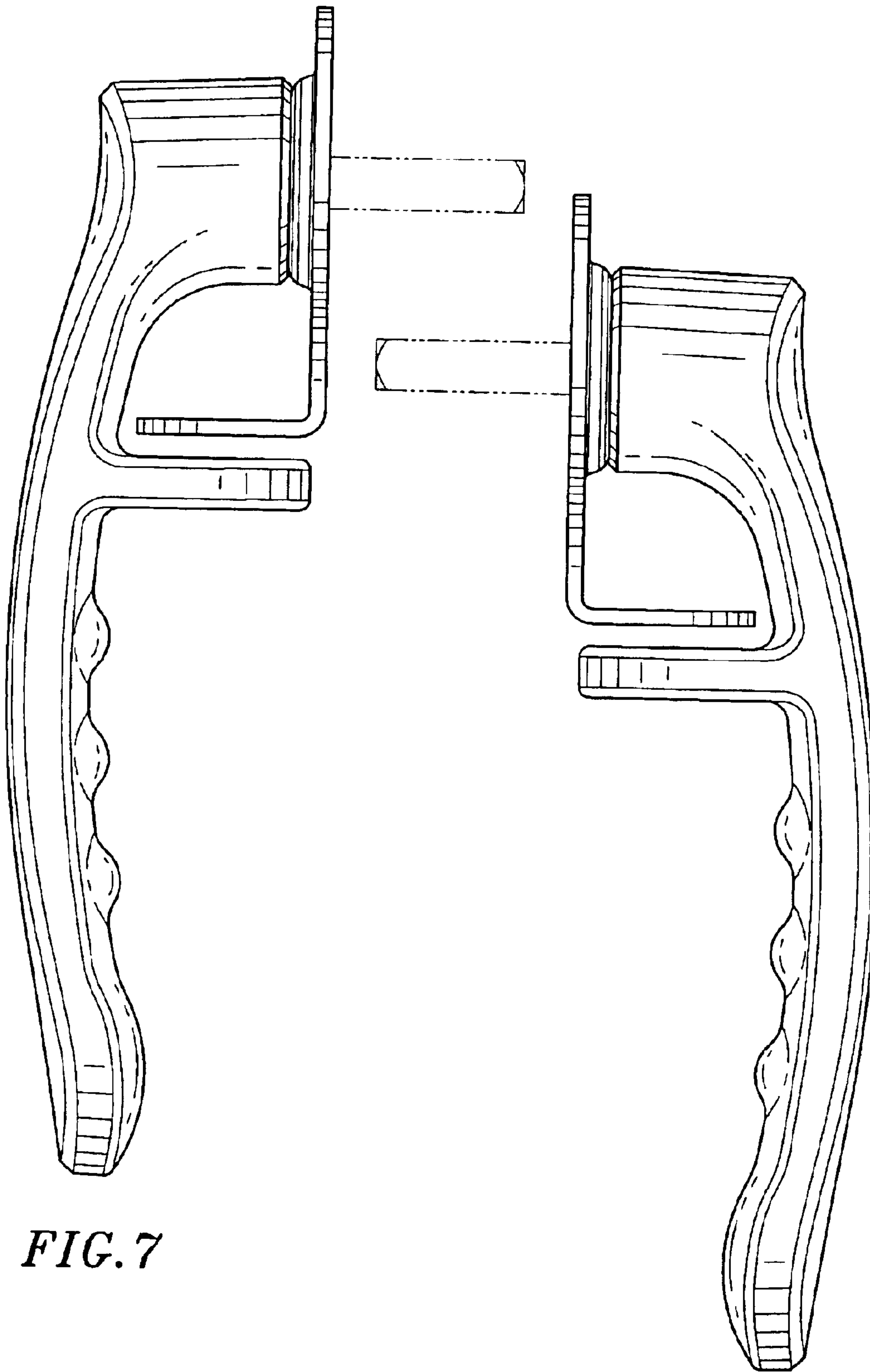


FIG. 7

FIG. 8