

US00D492568S1

(12) **United States Design Patent**
Allen

(10) **Patent No.:** **US D492,568 S**
(45) **Date of Patent:** **** Jul. 6, 2004**

(54) **FOLDING KNIFE CASING**

(75) **Inventor:** **David S. Allen**, New Hartford, NY
(US)

(73) **Assignee:** **Utica Cutlery Company**, Utica, NY
(US)

(**) **Term:** **14 Years**

(21) **Appl. No.:** **29/181,690**

(22) **Filed:** **May 13, 2003**

(51) **LOC (7) Cl.** **08-03**

(52) **U.S. Cl.** **D8/99**

(58) **Field of Search** D8/98, 99, 100,
D8/105, 107; 30/155, 156, 157, 159, 160,
161, 162

(56) **References Cited**

U.S. PATENT DOCUMENTS

D257,612 S	*	12/1980	Goldin et al.	D8/99
D302,649 S	*	8/1989	Porsche et al.	D8/99
D302,650 S	*	8/1989	Giordano	D8/99
D321,820 S	*	11/1991	Russell	D8/99
D367,599 S	*	3/1996	Sakai	D8/99
D411,091 S	*	6/1999	Halligan	D8/99

D414,671 S	*	10/1999	Halligan	D8/99
D427,043 S	*	6/2000	Cheng	D8/99
D429,986 S	*	8/2000	Cheng	D8/99

* cited by examiner

Primary Examiner—Philip S. Hyder

(74) *Attorney, Agent, or Firm*—Christopher R. Pastel;
Hancock & Estabrook, LLP

(57) **CLAIM**

The ornamental design for a folding knife casing, as shown and described.

DESCRIPTION

FIG. 1 is a first perspective view of my new design of a casing for a folding knife, the knife blade being shown in phantom for illustrative purposes only and forming no part of the claimed design;

FIG. 2 is a second perspective view thereof;

FIG. 3 is a top plan view thereof;

FIG. 4 is a bottom plan view thereof;

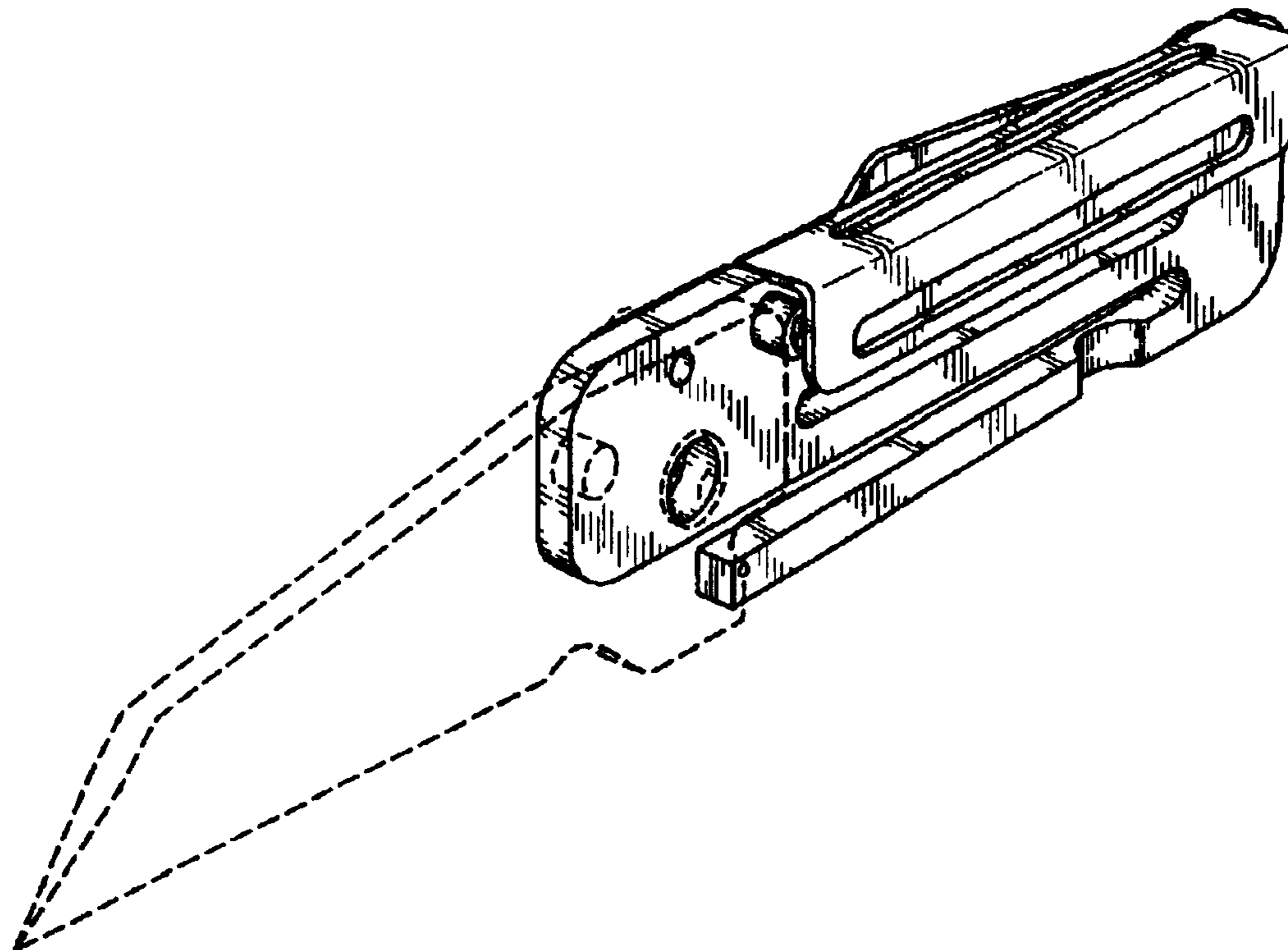
FIG. 5 is a right side elevation view thereof;

FIG. 6 is a left side elevation view thereof;

FIG. 7 is a front elevation view thereof; and,

FIG. 8 is a rear elevation view thereof.

1 Claim, 4 Drawing Sheets



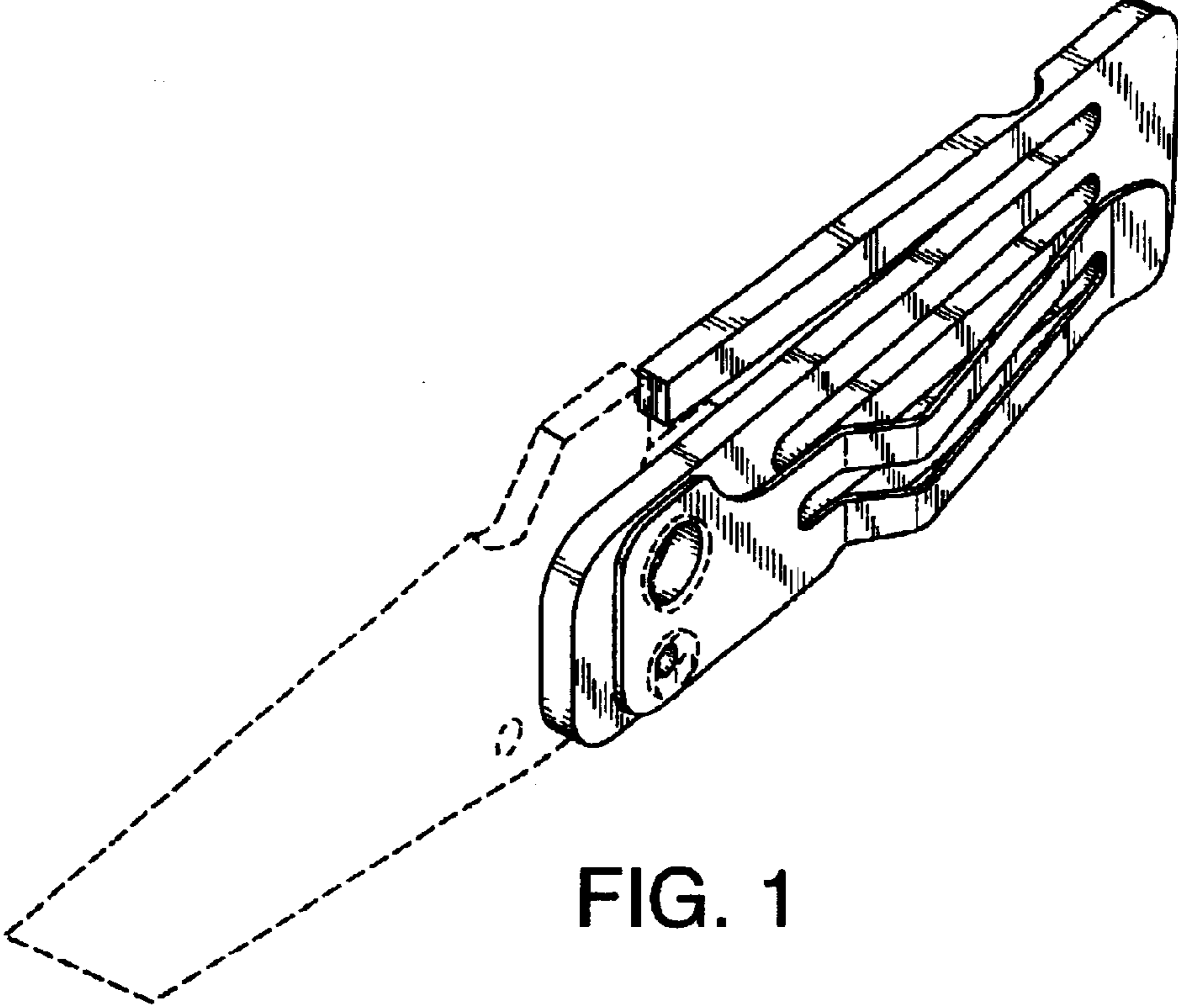


FIG. 1

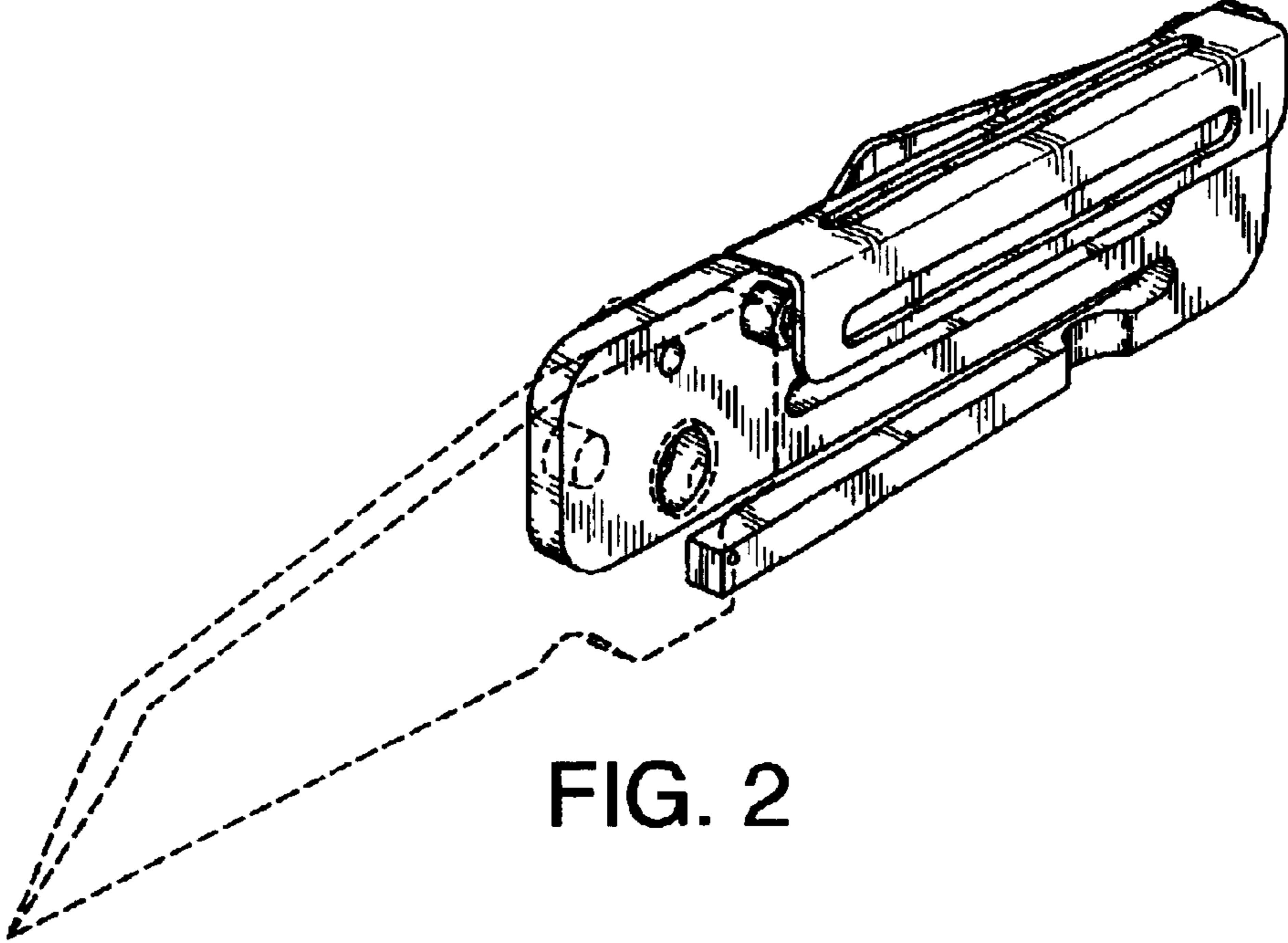


FIG. 2

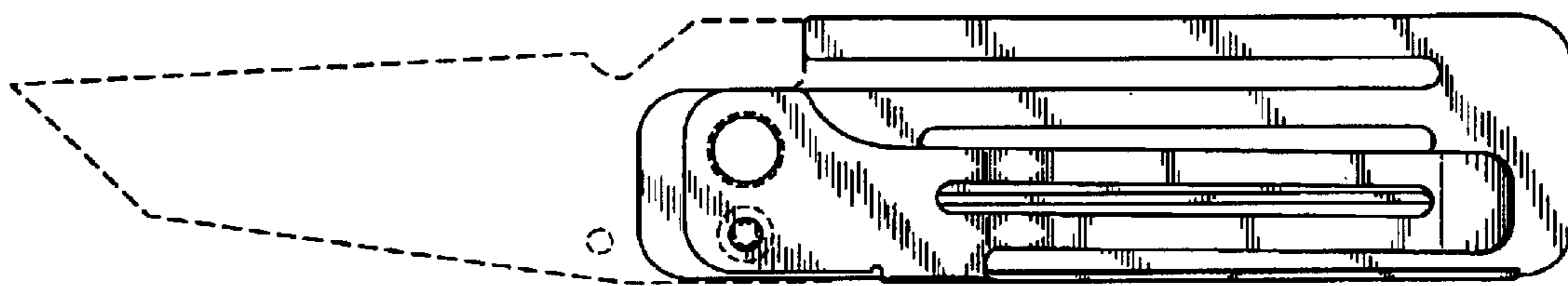


FIG. 3

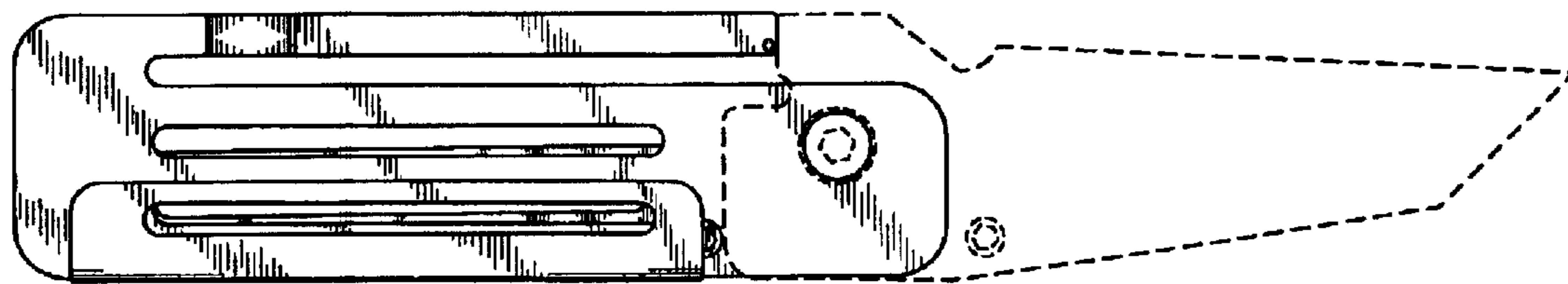


FIG. 4

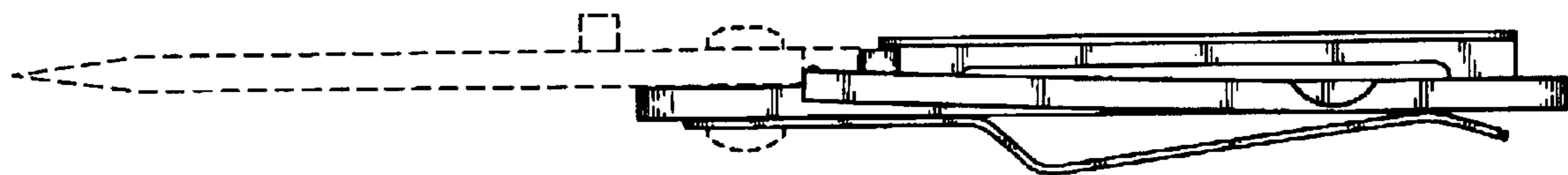


FIG. 5

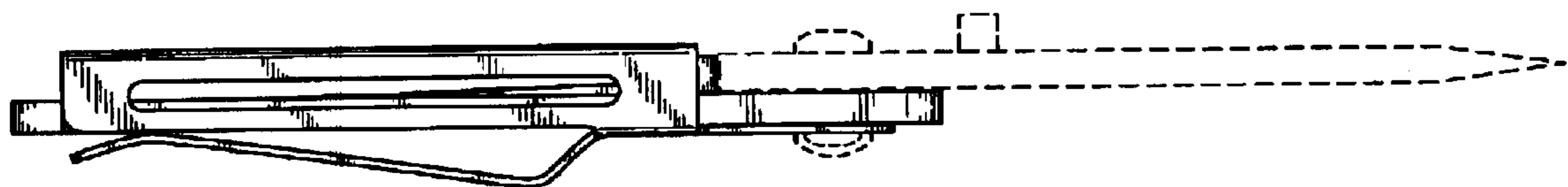


FIG. 6

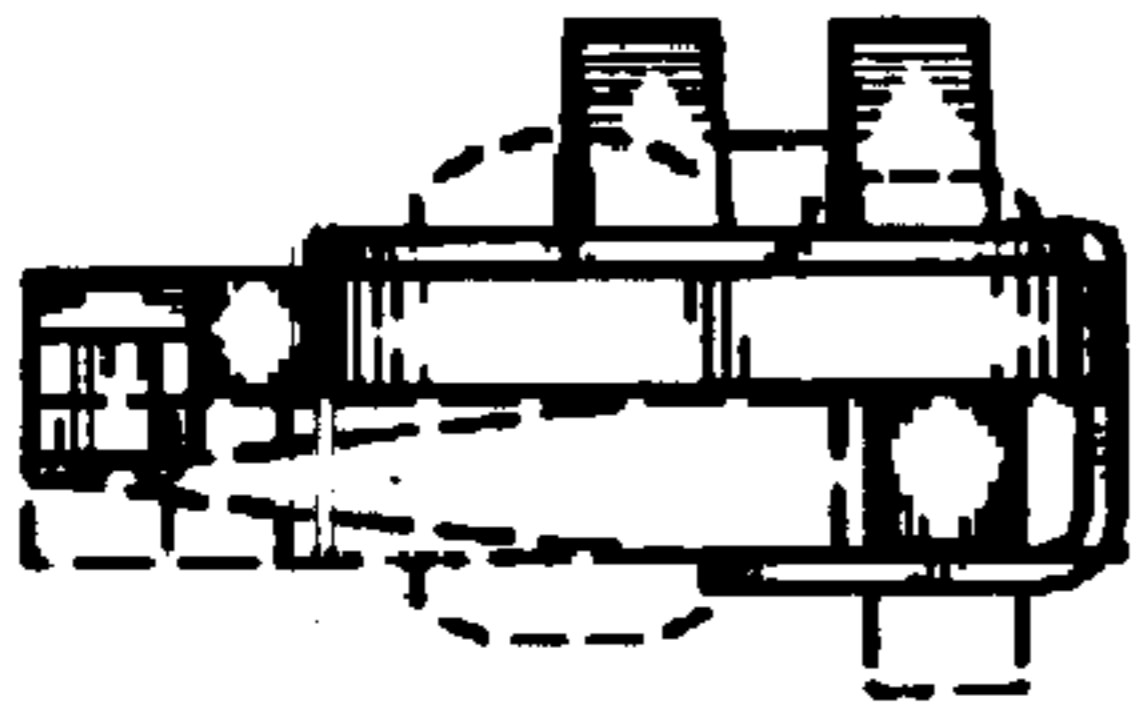


FIG. 7

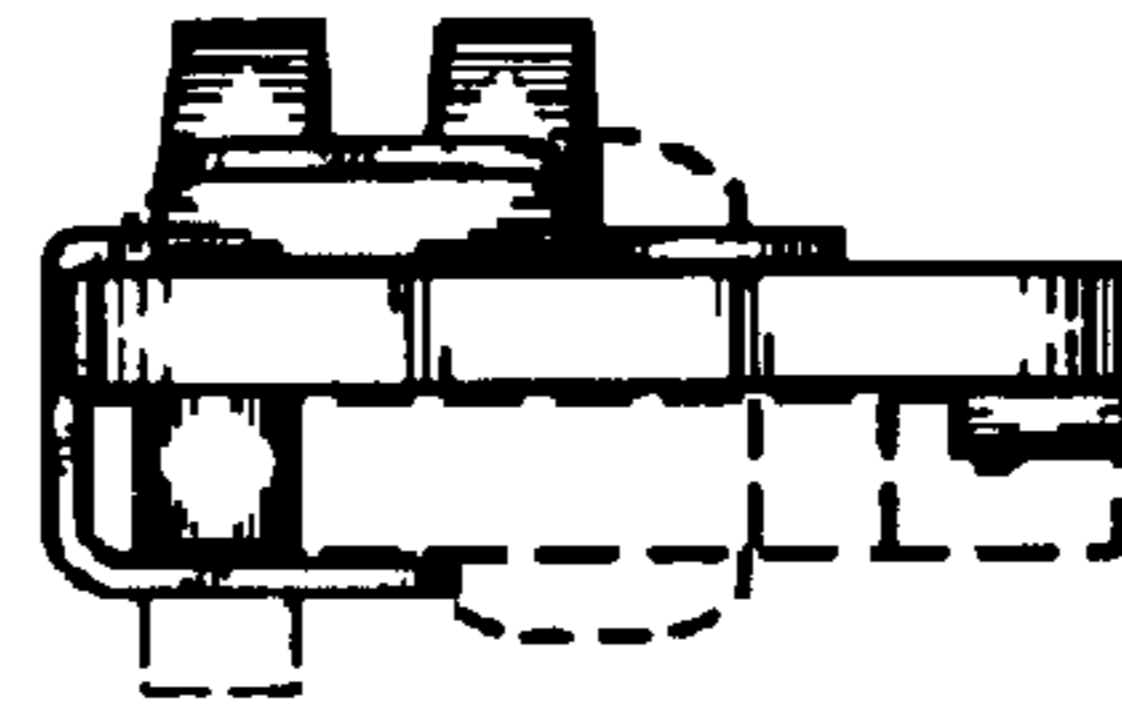


FIG. 8