

US00D492566S1

(12) **United States Design Patent**
Kimura et al.

(10) **Patent No.: US D492,566 S**
(45) **Date of Patent: ** Jul. 6, 2004**

- (54) **PORTABLE ELECTRIC DRIVER**
- (75) Inventors: **Takuji Kimura, Anjo (JP); Naohiro Hayakawa, Anjo (JP)**
- (73) Assignee: **Makita Corporation, Aichi-ken (JP)**
- (**) Term: **14 Years**
- (21) Appl. No.: **29/193,377**
- (22) Filed: **Nov. 10, 2003**
- (30) **Foreign Application Priority Data**
May 20, 2003 (JP) 2003-017744
- (51) **LOC (7) Cl. 08-05**
- (52) **U.S. Cl. D8/68**
- (58) **Field of Search** D8/14.1, 61, 62,
D8/63, 64, 65, 66, 67, 68, 69, 70; 81/57.11,
429, 464, 465, 466, 469, 489; 173/13, 169,
178, 213, 217; 227/8, 114, 120, 130, 136,
142; 310/50; 408/20, 124, 125, 234, 241 R;
451/358

- (56) **References Cited**
U.S. PATENT DOCUMENTS
D404,627 S * 1/1999 Hirabayashi D8/68

D433,612 S * 11/2000 Donaldson, Jr. D8/68
6,161,256 A * 12/2000 Quiring et al. 81/489
2003/0121685 A1 * 7/2003 Yamamoto 173/217

OTHER PUBLICATIONS

Screwdrivers, pp. 30–31, DeWalt Tool catalogue.*

* cited by examiner

Primary Examiner—James Gandy

Assistant Examiner—T. Chase Nelson

(74) *Attorney, Agent, or Firm*—Dennison, Schultz, Daugherty & MacDonald

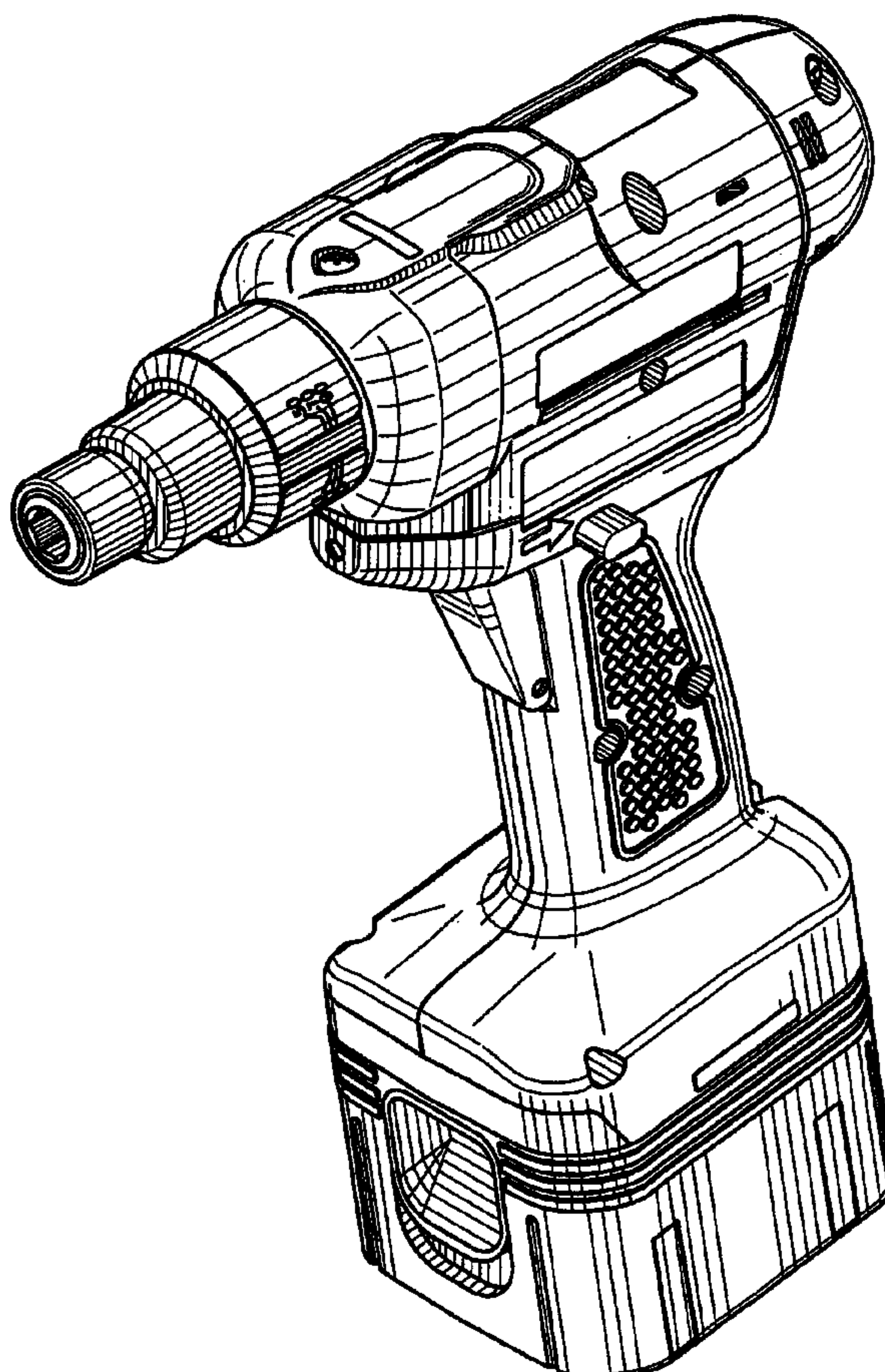
(57) **CLAIM**

The ornamental design for a portable electric driver, as shown and described.

DESCRIPTION

FIG. 1 is a perspective view of a portable electric driver showing our new design;
FIG. 2 is a front elevation view thereof;
FIG. 3 is a rear elevation view thereof;
FIG. 4 is a left side elevation view thereof;
FIG. 5 is a right side elevation view thereof;
FIG. 6 is a top plan view thereof; and,
FIG. 7 is a bottom plan view thereof.

1 Claim, 5 Drawing Sheets



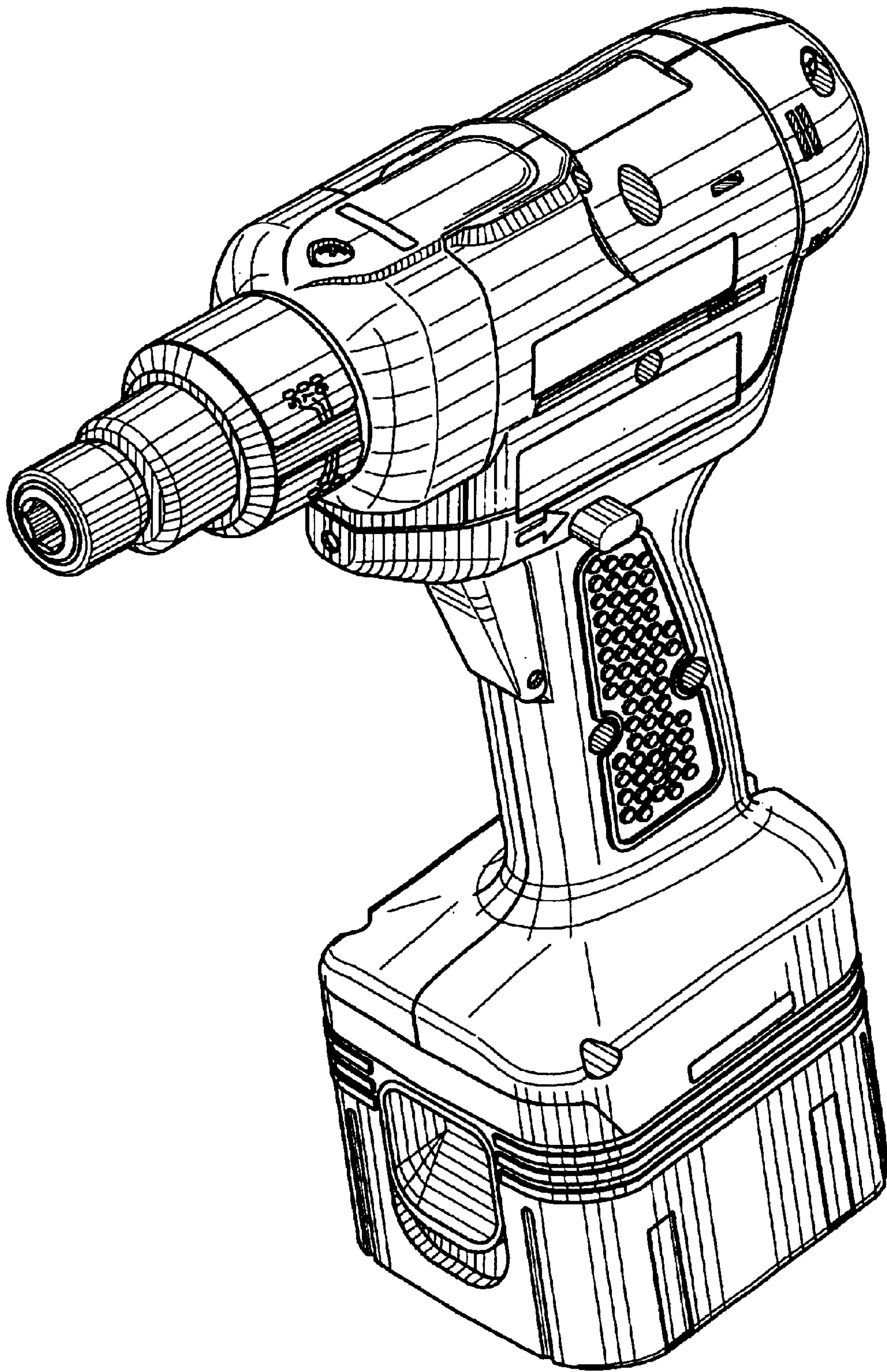


FIG. 1

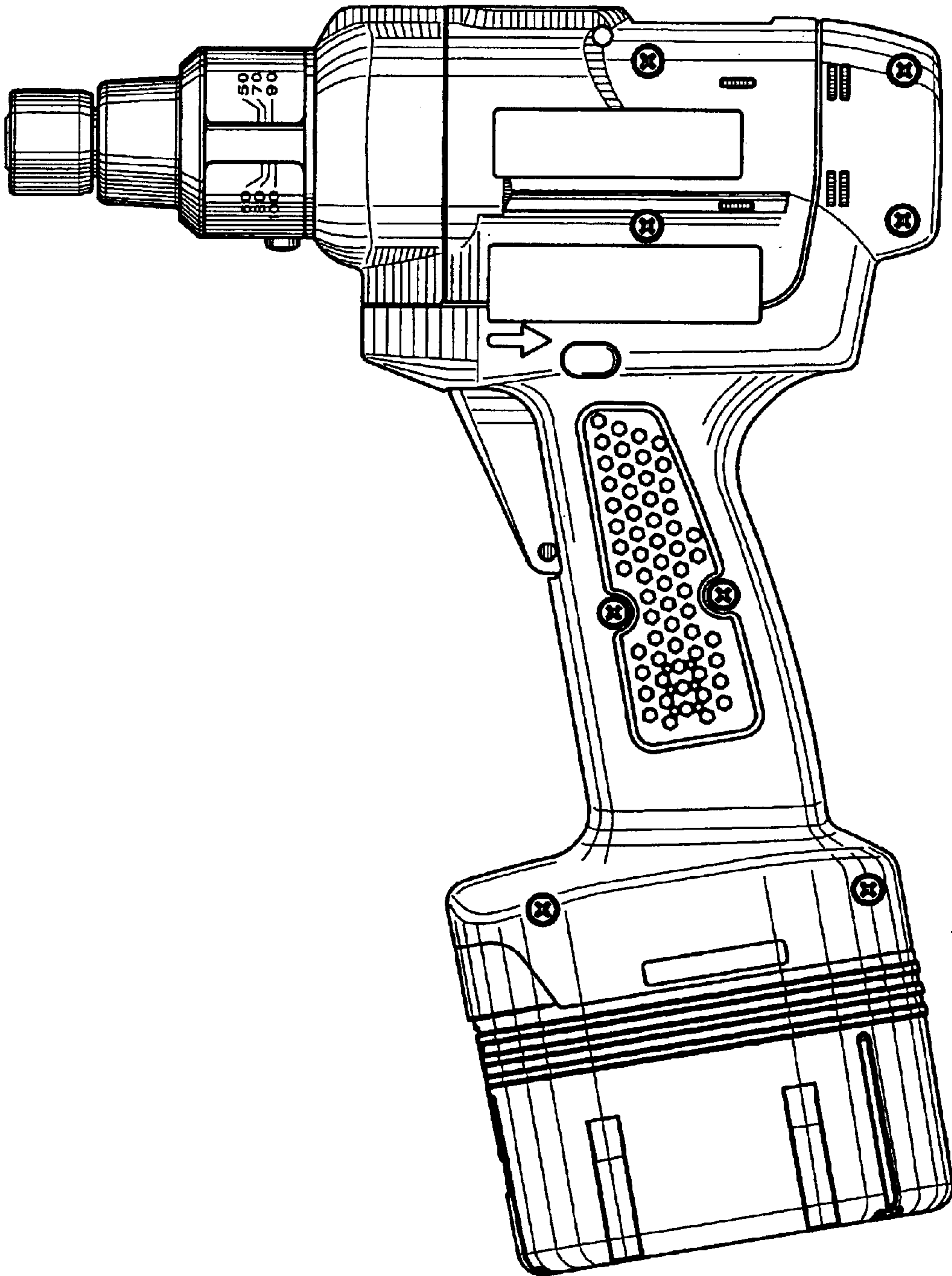


FIG. 2

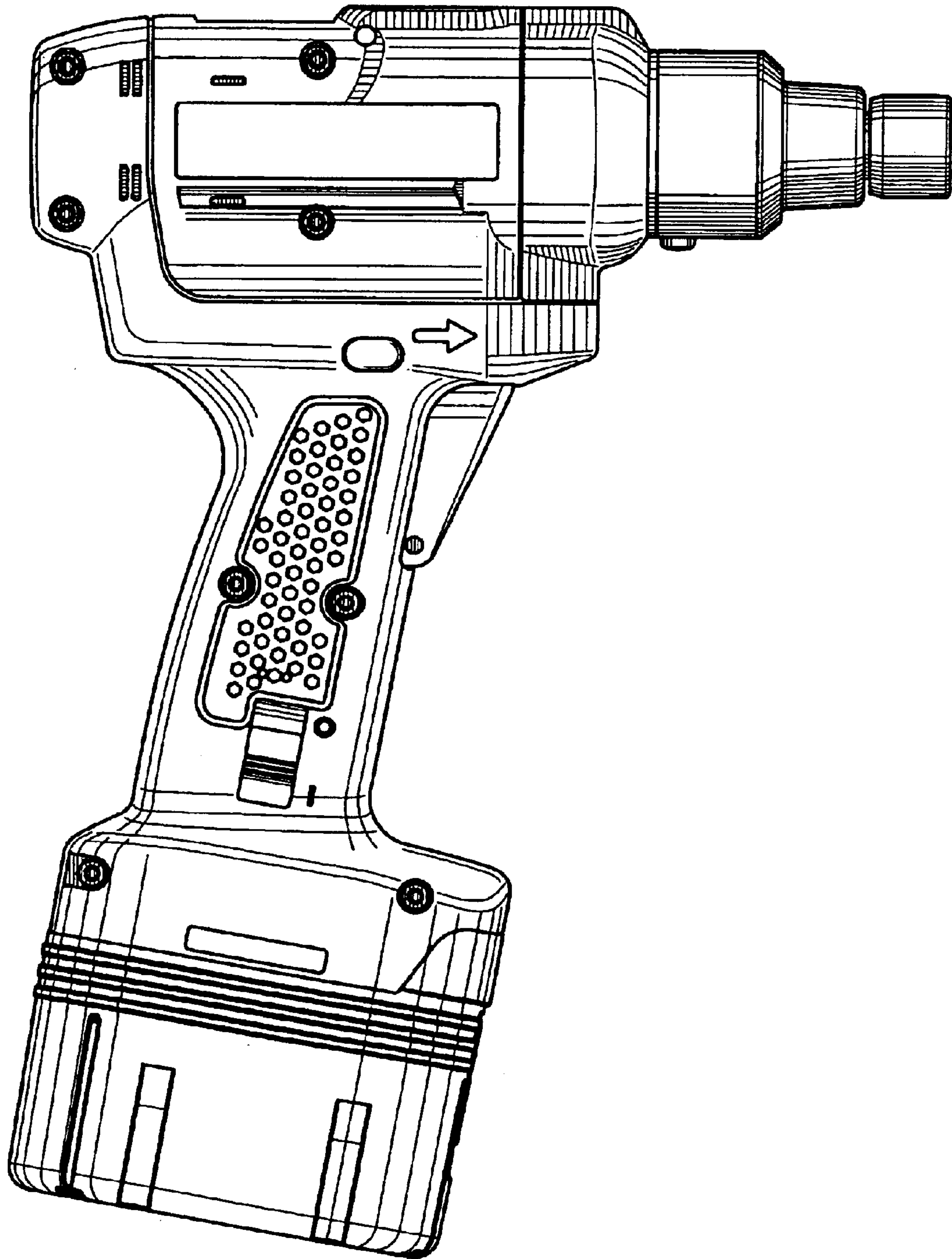


FIG. 3

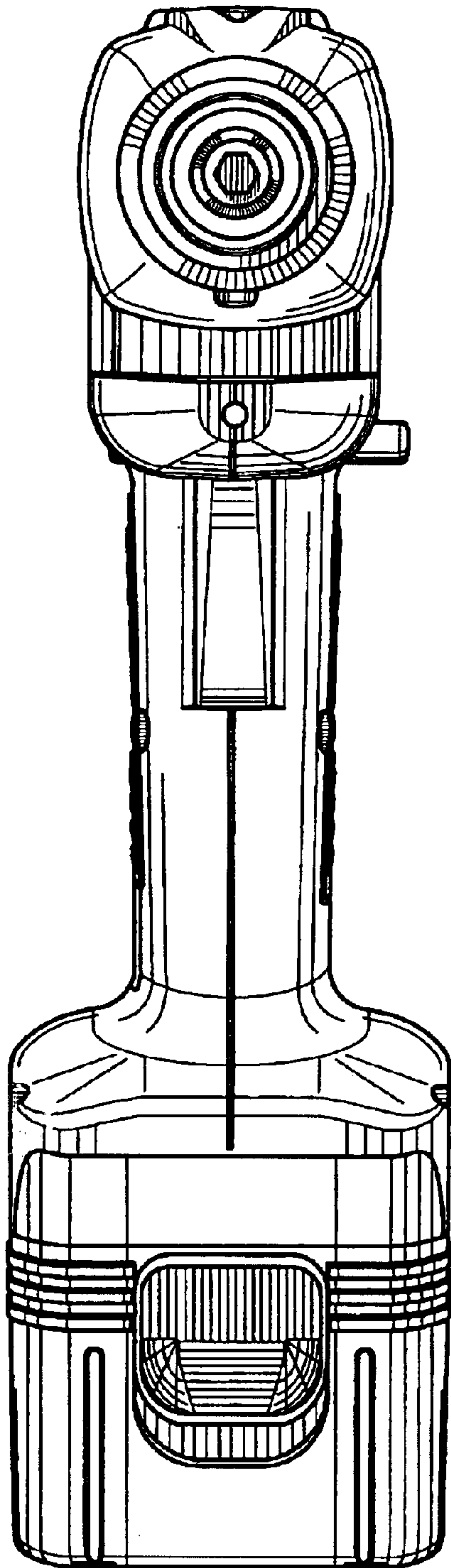


FIG. 4

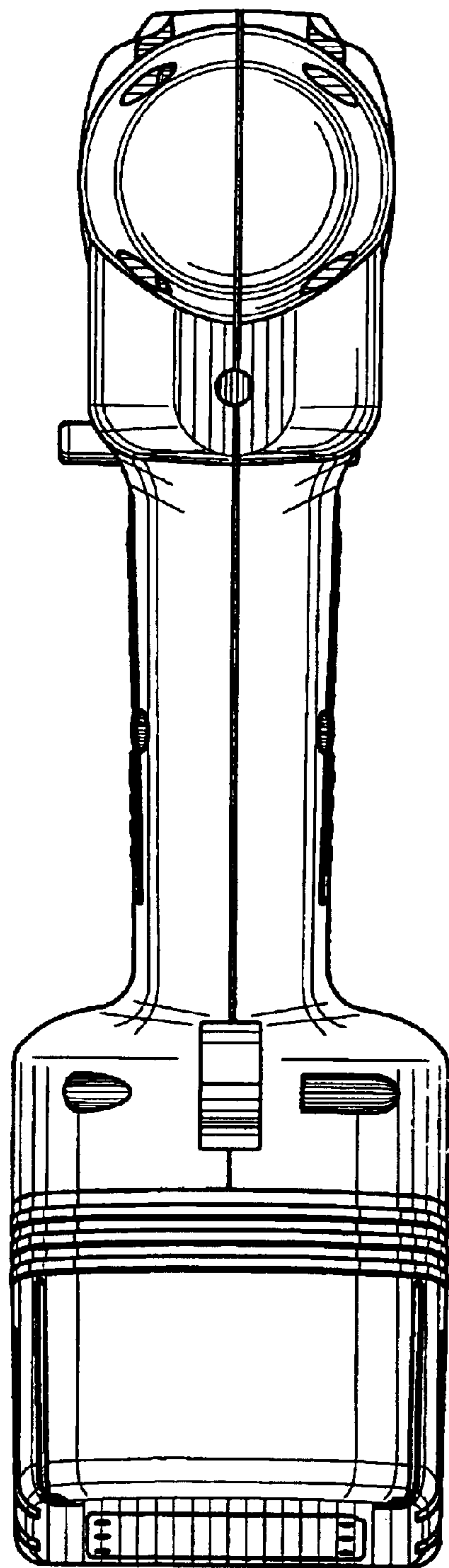


FIG. 5

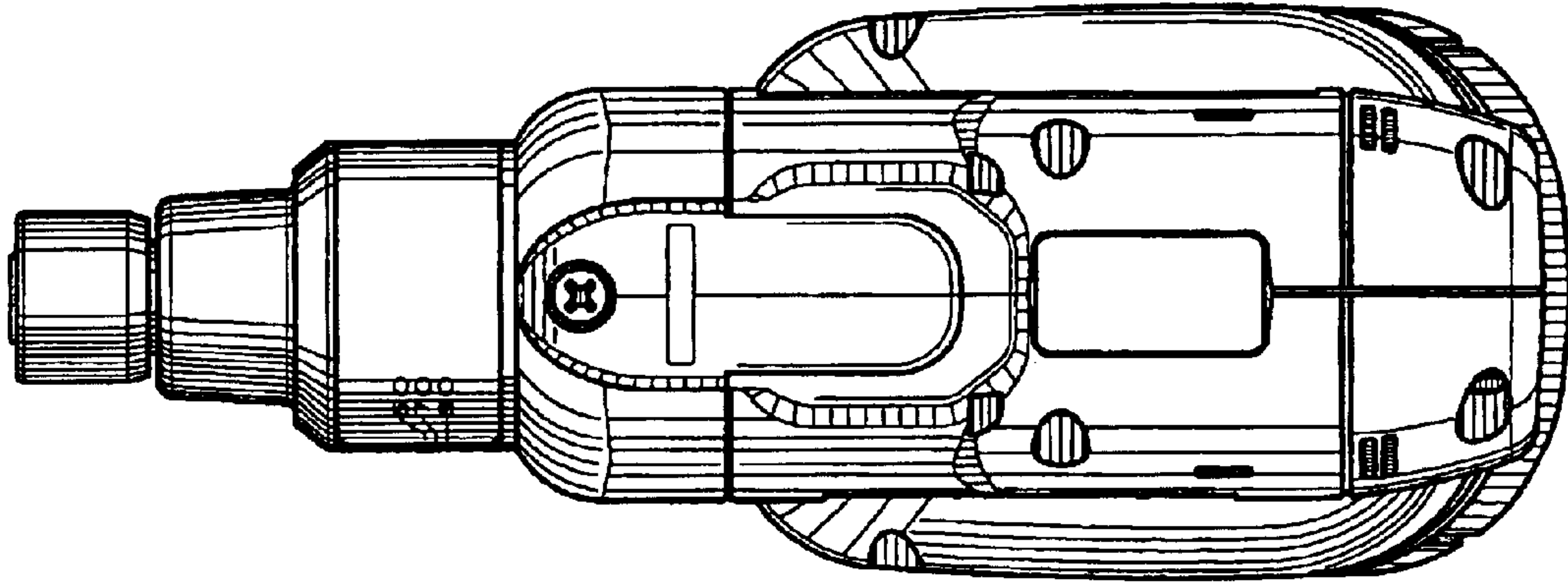


FIG. 6

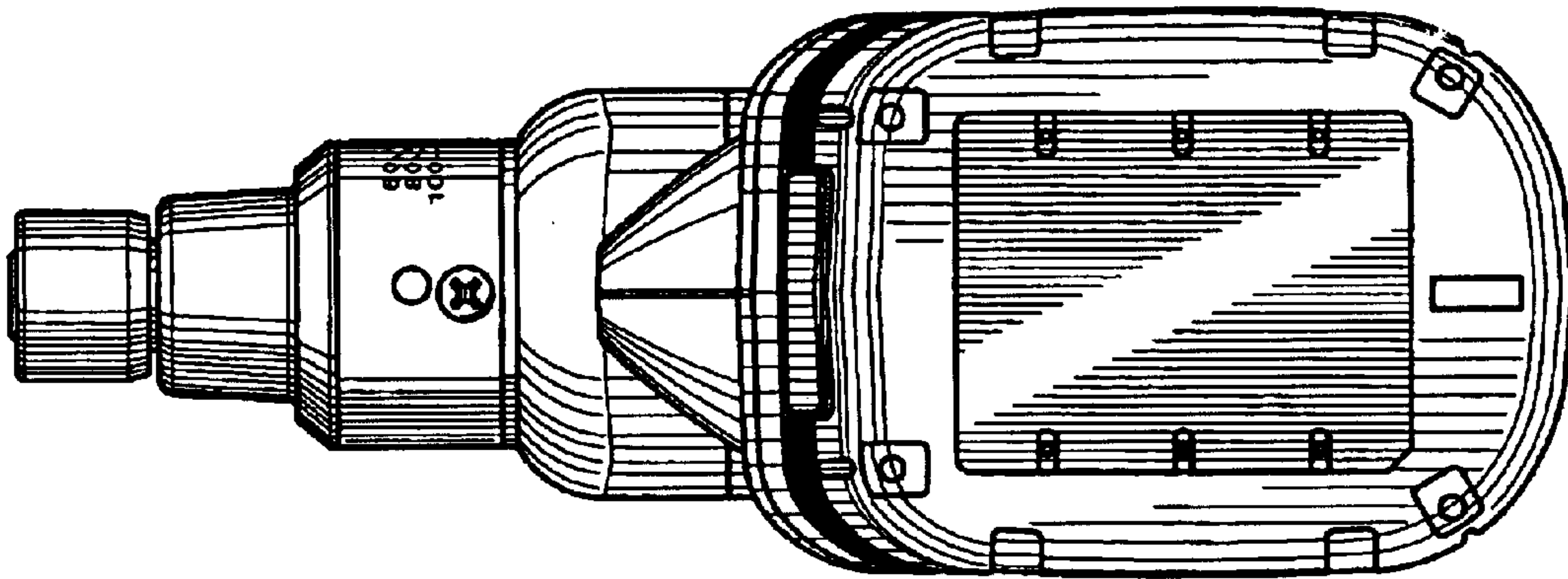


FIG. 7