

US00D492564S1

(12) **United States Design Patent** (10) **Patent No.:** **US D492,564 S**
Zemlok et al. (45) **Date of Patent:** **** Jul. 6, 2004**

- (54) **CIRCULAR SAW**
- (75) Inventors: **Michael A. Zemlok**, Towson, MD (US); **Keith Moore**, Owings Mills, MD (US); **Weston J. Van Wambeke**, Baltimore, MD (US); **James B. Watson**, Fallston, MD (US); **Sean Flickinger**, Felton, PA (US); **Christofer E. Beam**, Mount Airy, MD (US)
- (73) Assignee: **Black & Decker Inc.**, Newark, DE (US)
- (**) Term: **14 Years**
- (21) Appl. No.: **29/162,063**
- (22) Filed: **Jun. 7, 2002**
- (51) **LOC (7) Cl.** **08-03**
- (52) **U.S. Cl.** **D8/66**
- (58) **Field of Search** D8/61, 64, 65, D8/66, 67, 69; D24/146; 30/166.3, 374, 375, 376, 377, 388, 390, 391, 392, 393, 394, 397; 83/397, 699.21; 409/180, 181, 182

- 5,433,008 A 7/1995 Barger, Jr. et al.
D363,656 S 10/1995 Gierke
D375,439 S 11/1996 Niwa et al.
D390,081 S 2/1998 Price et al.
5,856,715 A 1/1999 Peot et al.
5,881,823 A 3/1999 Kabatnik et al.
5,902,080 A 5/1999 Kopras
D411,425 S 6/1999 Sugimoto et al.
D417,648 S 12/1999 Clowers et al.
6,007,939 A 12/1999 Clowers
D421,702 S * 3/2000 Sakai et al. D8/66
D427,872 S 7/2000 Snider
D427,874 S 7/2000 Hayakawa et al.
D428,318 S 7/2000 Gallagher et al.
D428,319 S 7/2000 Gallagher
D429,133 S 8/2000 Lui
6,108,916 A 8/2000 Zeiler et al.
D432,077 S 10/2000 Zurwelle et al.
6,161,293 A 12/2000 Watson
D449,503 S * 10/2001 Tsuzuki et al. D8/66
D453,099 S * 1/2002 Welsh D8/66
2001/0000552 A1 5/2001 Watson

FOREIGN PATENT DOCUMENTS

- DE Reg. 49811851 of 0000
DE Reg. 49911612 of 0000

(List continued on next page.)

(56) **References Cited**
U.S. PATENT DOCUMENTS

- 2,962,062 A 11/1960 Winkler et al.
3,262,472 A 7/1966 McCarty et al.
3,730,239 A 5/1973 Kaman et al.
3,757,194 A 9/1973 Weber et al.
4,221,051 A 9/1980 Glass
4,224,855 A 9/1980 Des Roches
D262,772 S 1/1982 Glass et al.
4,516,324 A 5/1985 Heininger, Jr. et al.
4,555,849 A 12/1985 Ando et al.
4,847,513 A 7/1989 Katz et al.
4,856,394 A 8/1989 Clowers
4,870,758 A 10/1989 Fushiya
4,876,797 A 10/1989 Zapata
5,023,999 A 6/1991 Looper et al.
5,090,126 A 2/1992 Higgins
D329,363 S 9/1992 Sasaki et al.
D335,433 S 5/1993 Schultz et al.

Primary Examiner—Doris V. Coles
Assistant Examiner—Elizabeth A. Albert
(74) *Attorney, Agent, or Firm*—Harness, Dickey & Pierce, P.L.C.

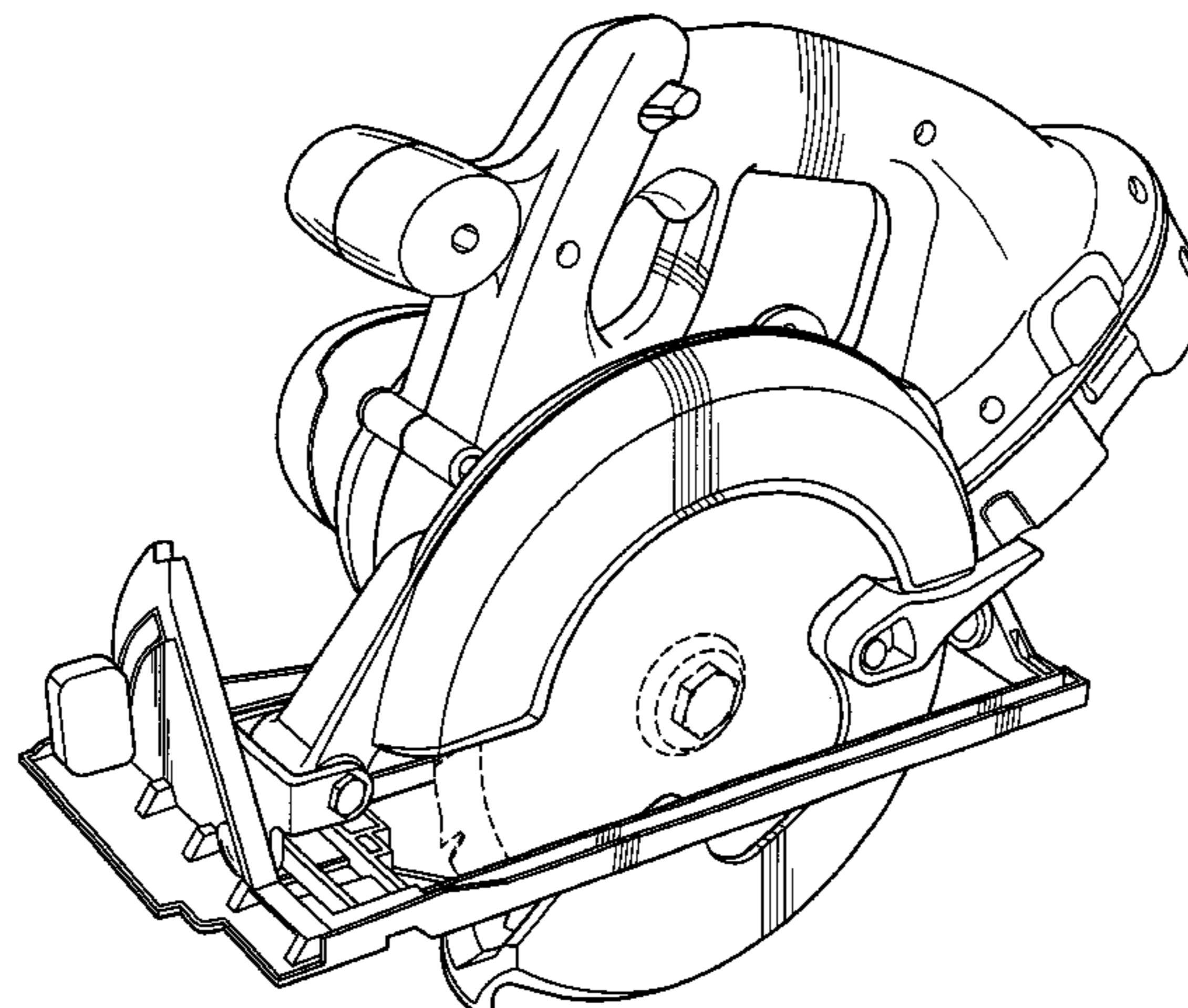
(57) **CLAIM**

The ornamental design for a circular saw, as shown and described.

DESCRIPTION

FIG. 1 is a front side perspective view of a circular saw;
FIG. 2 is a rear side perspective view thereof;
FIG. 3 is a rear view thereof;
FIG. 4 is a front view thereof;
FIG. 5 is a right side view thereof;
FIG. 6 is a left side view thereof;
FIG. 7 is a top view thereof; and,
FIG. 8 is a bottom view thereof.

1 Claim, 8 Drawing Sheets



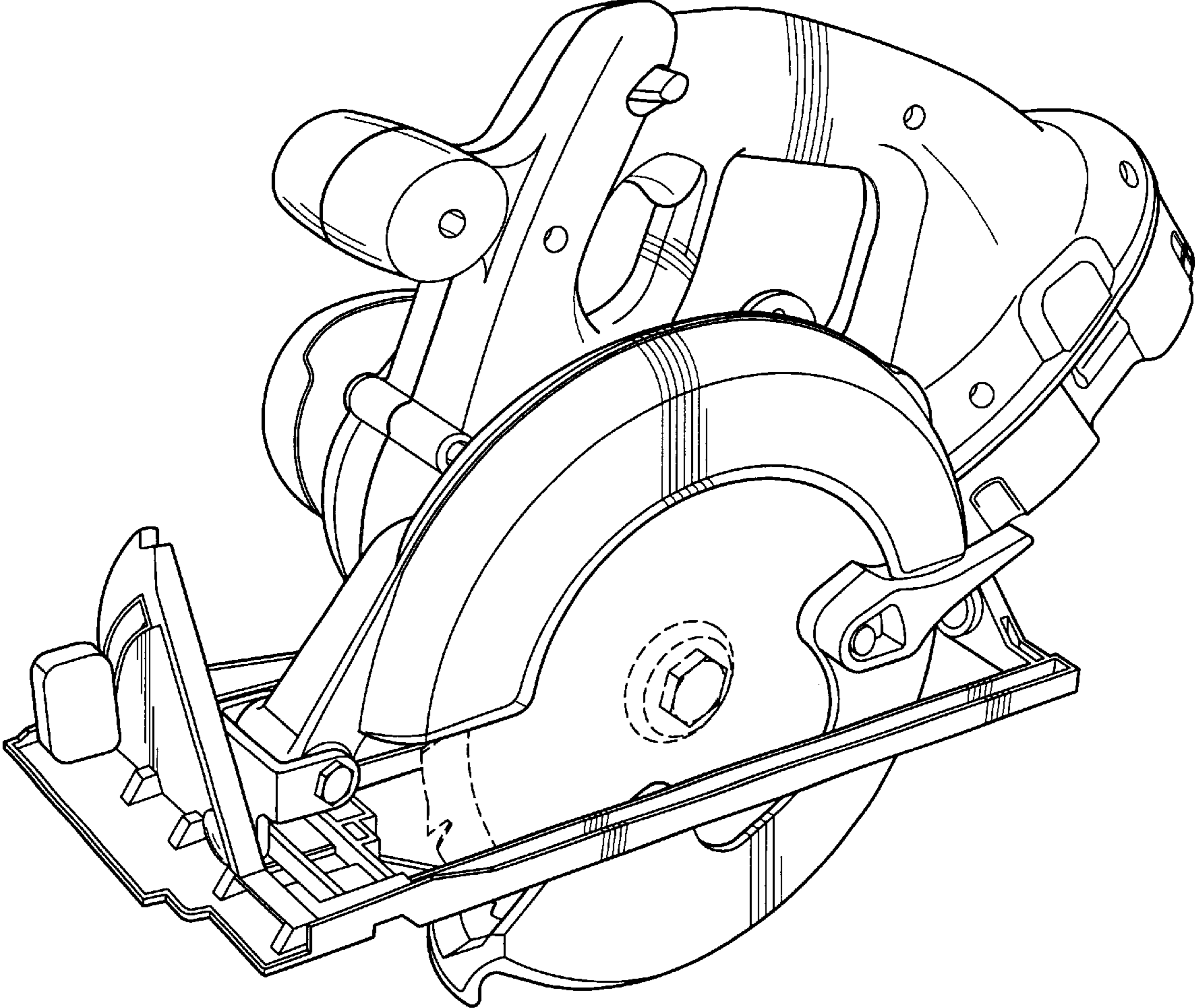


Fig-1

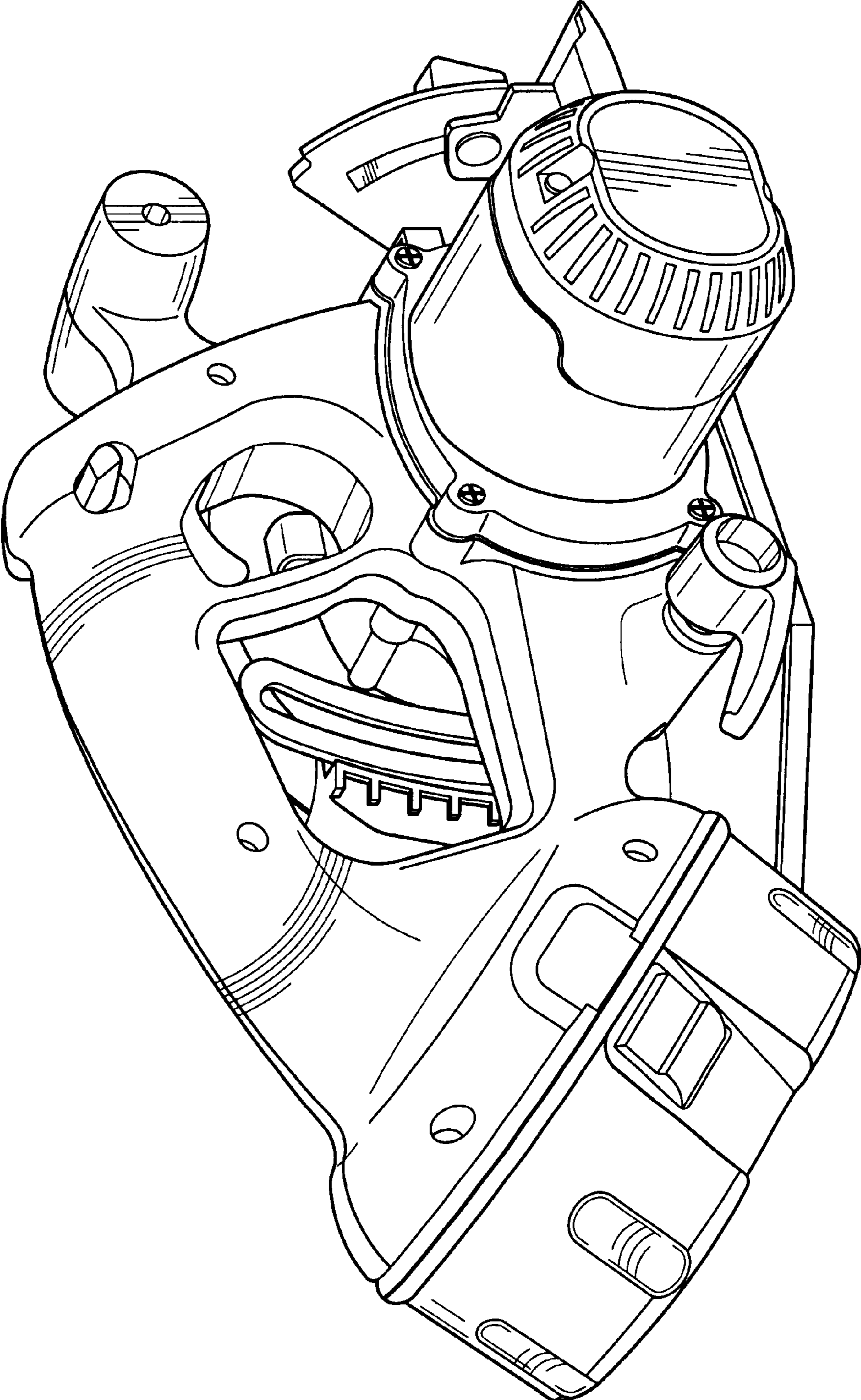


Fig-2

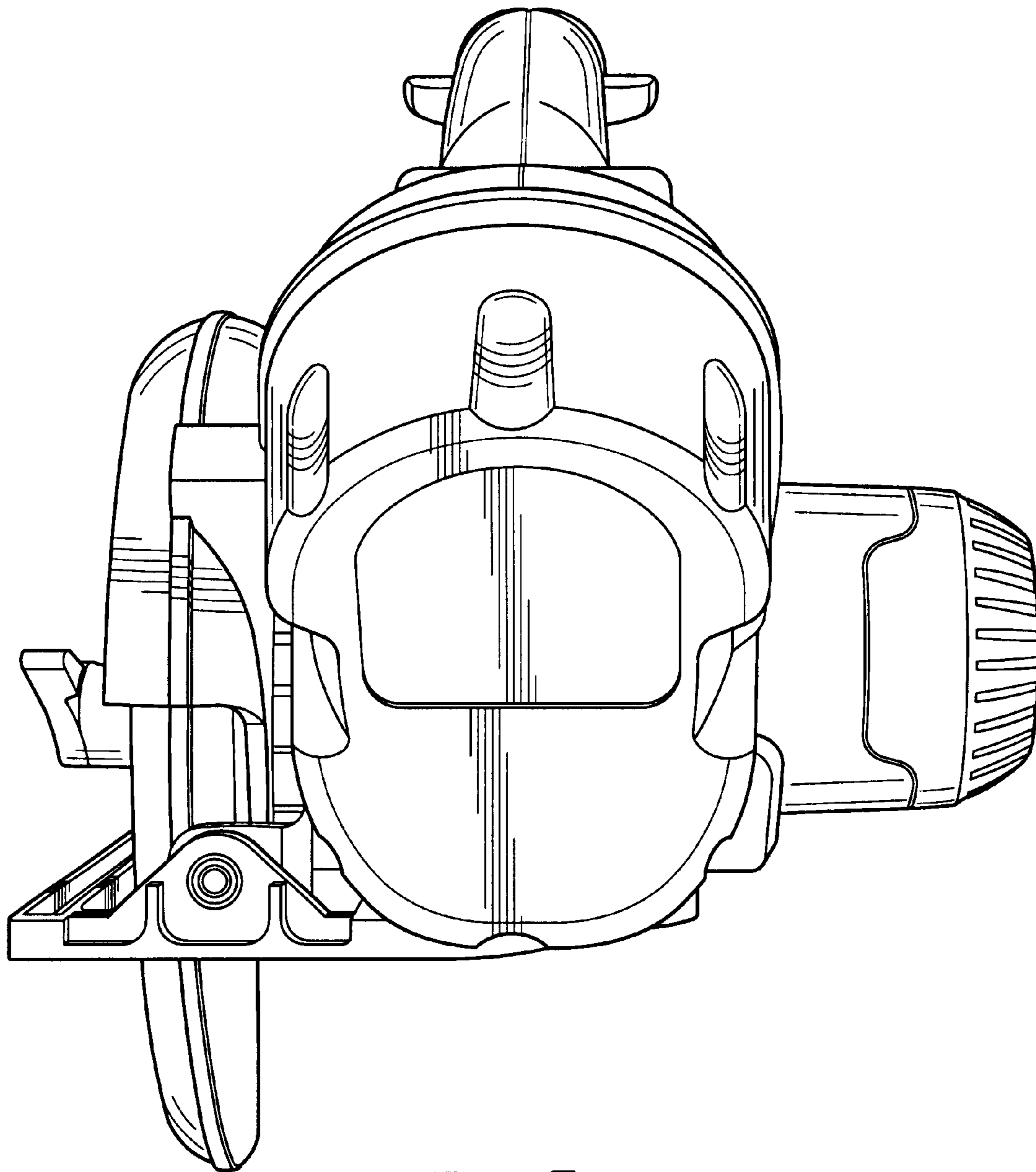


Fig-3

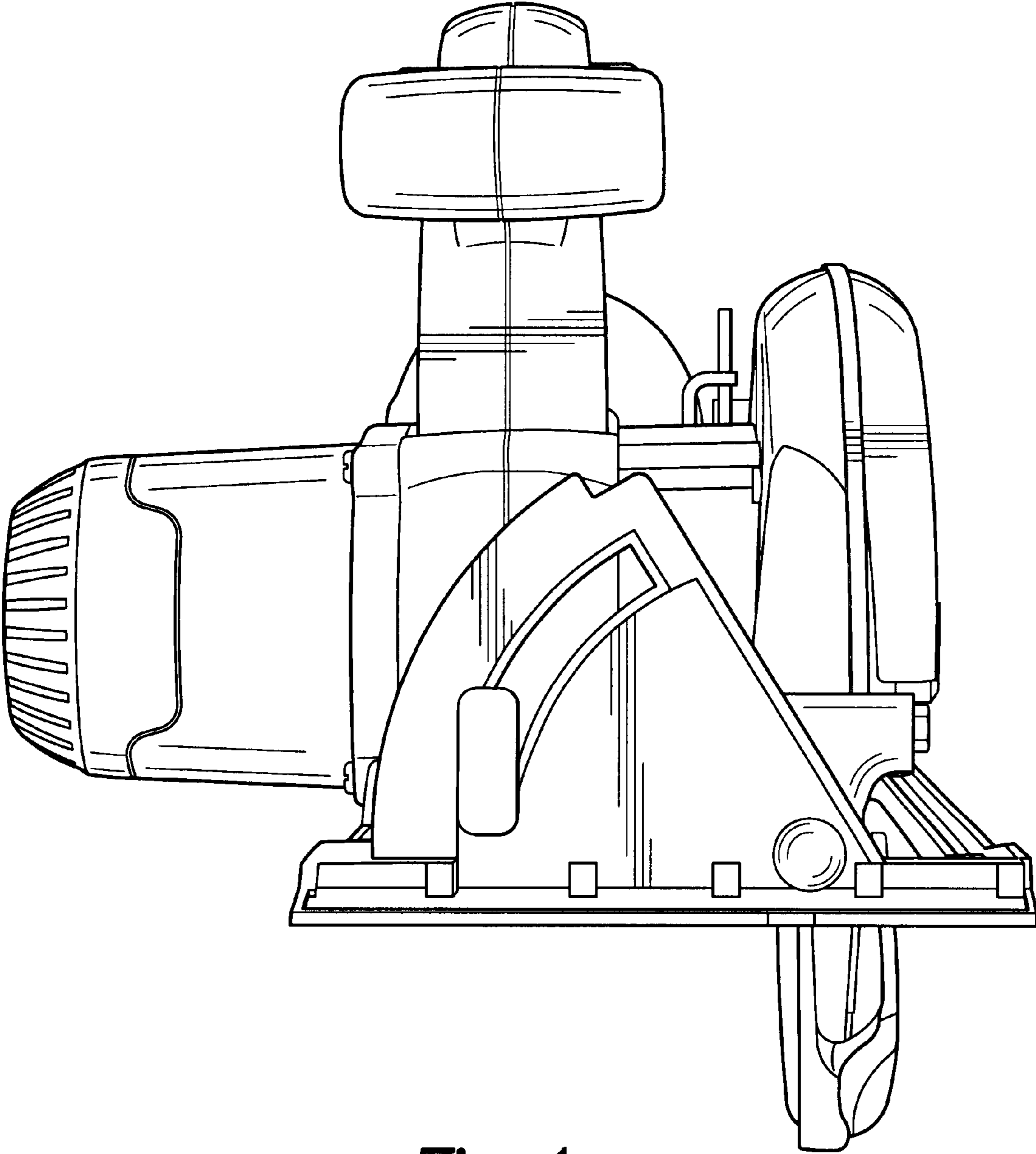


Fig-4

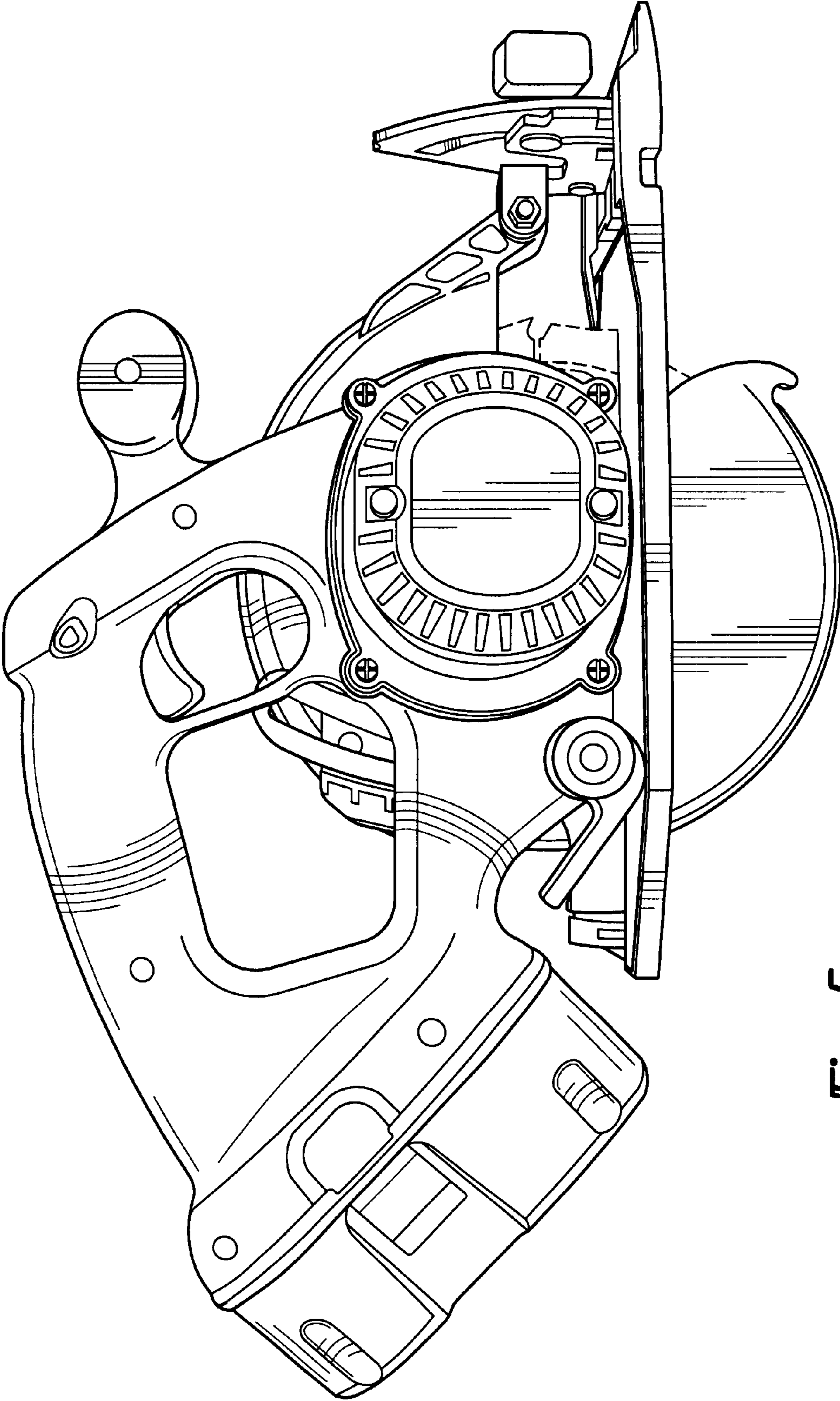


Fig-5

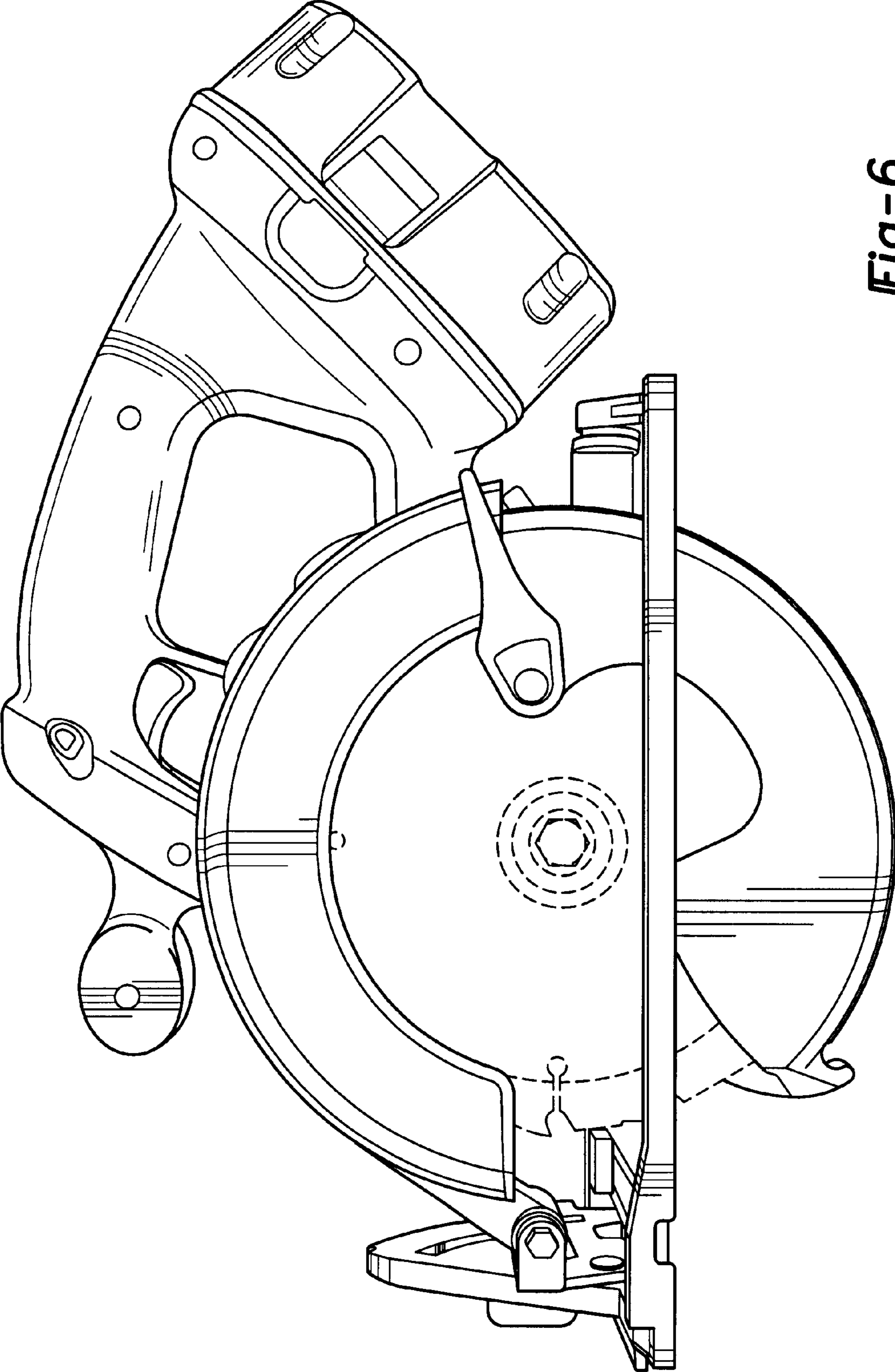


Fig-6

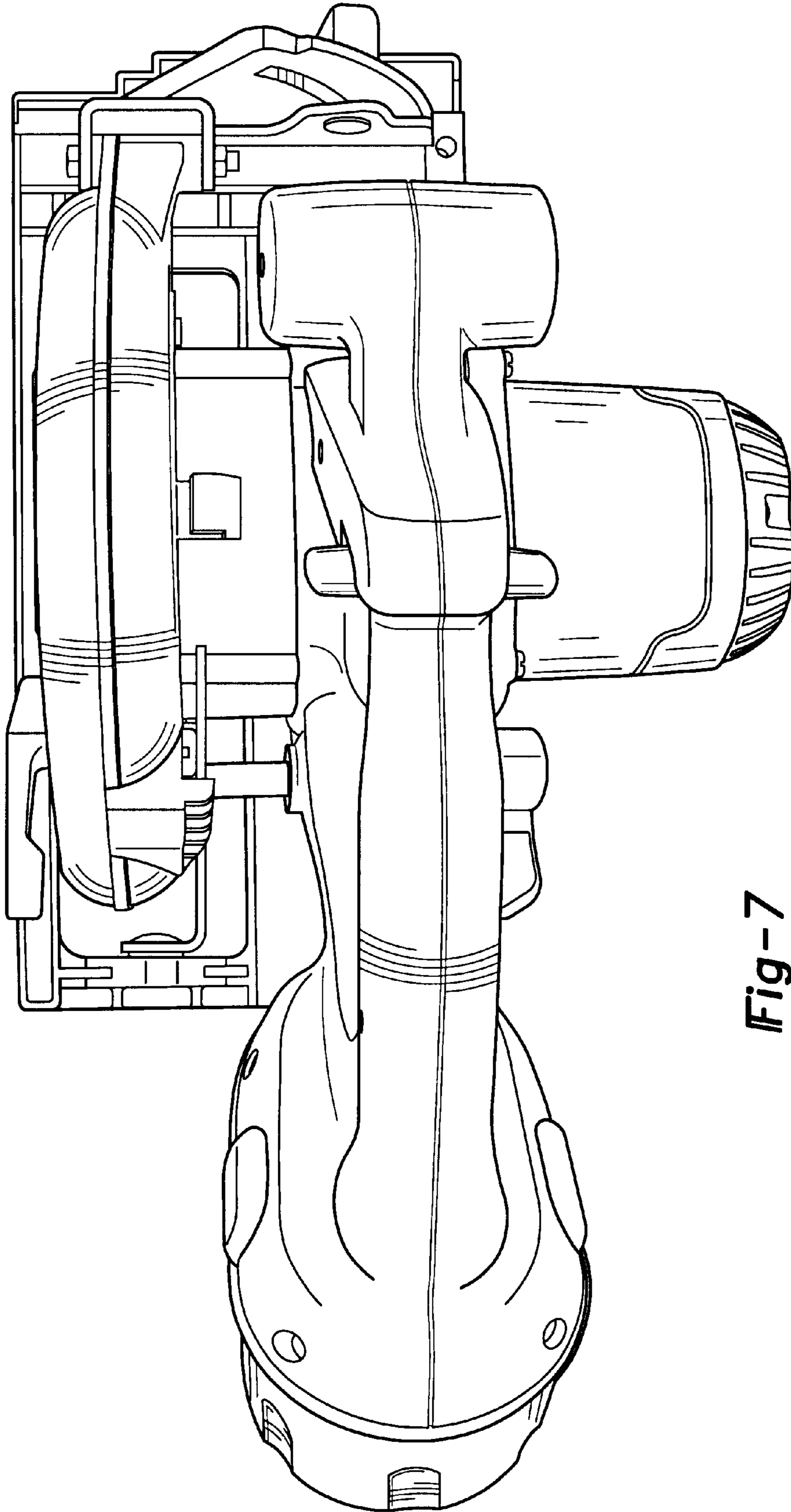


Fig-7

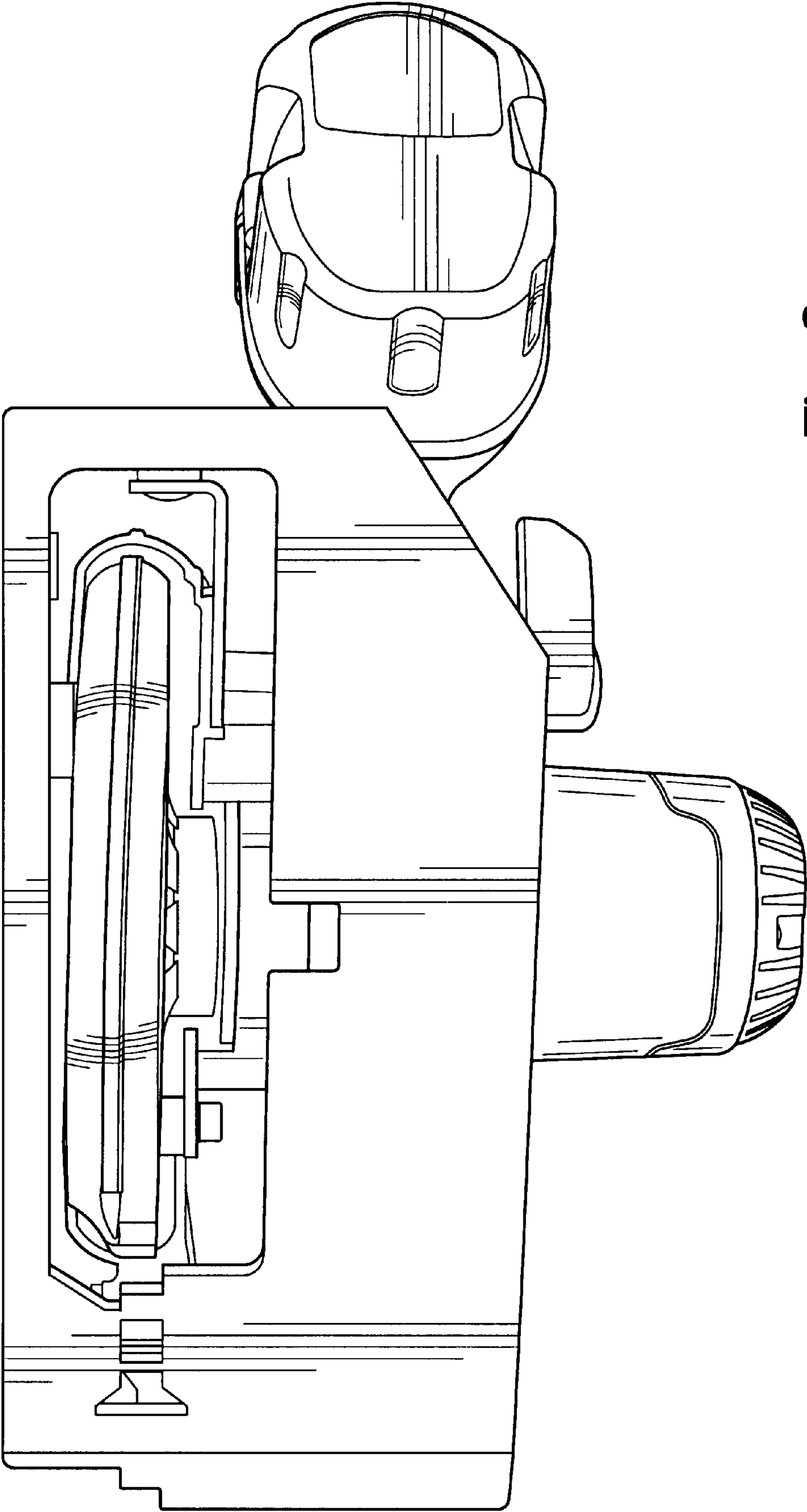


Fig-8