

US00D492560S1

(12) **United States Design Patent**
Refson

(10) **Patent No.:** **US D492,560 S**
(45) **Date of Patent:** **** Jul. 6, 2004**

(54) **POWER TOOL**

D302,785 S * 8/1989 Cunningham D8/64
D433,907 S * 11/2000 Fuchs et al. D8/64

(75) **Inventor:** **Neil Refson, Aberdeen (GB)**

* cited by examiner

(73) **Assignee:** **Exakt Precision Tools Limited,**
Aberdeen (GB)

Primary Examiner—James Gandy
Assistant Examiner—Elizabeth Albert

(**) **Term:** **14 Years**

(74) *Attorney, Agent, or Firm*—Workman Nydegger

(21) **Appl. No.:** **29/164,234**

(57) **CLAIM**

(22) **Filed:** **Jul. 18, 2002**

The ornamental design for a power tool, as shown and described.

(30) **Foreign Application Priority Data**

DESCRIPTION

Jan. 18, 2002 (GB) 3000755

(51) **LOC (7) Cl.** **08-05**

(52) **U.S. Cl.** **D8/61; D8/64**

(58) **Field of Search** D8/61, 64, 65,
D8/66, 67, 69; D24/146; 30/166.3, 374,
375, 376, 377, 388, 390, 391, 392, 393,
394, 397; 83/397, 699.21; 409/180, 181,
182

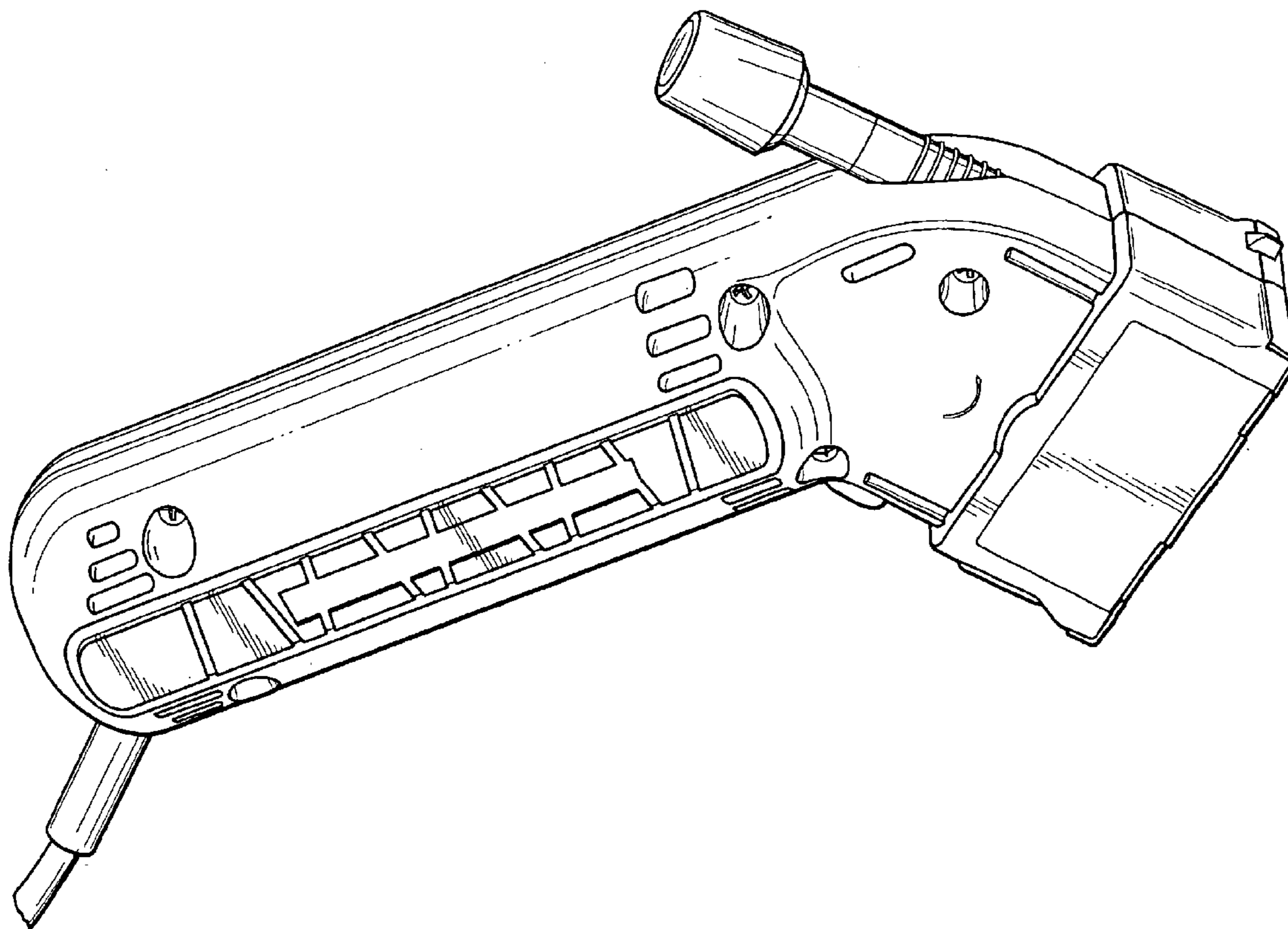
FIG. 1 is a left side view of the power tool;
FIG. 2 is a right side view of the power tool shown in FIG. 1;
FIG. 3 is a front perspective view of the power tool shown in FIG. 1;
FIG. 4 is a right side top perspective view of the power tool shown in FIG. 1;
FIG. 5 is a right side bottom perspective view of the power tool shown in FIG. 1; and,
FIG. 6 is a left side lower front perspective view of the power tool shown in FIG. 1.

(56) **References Cited**

U.S. PATENT DOCUMENTS

4,771,542 A * 9/1988 Beveridge 30/392

1 Claim, 6 Drawing Sheets



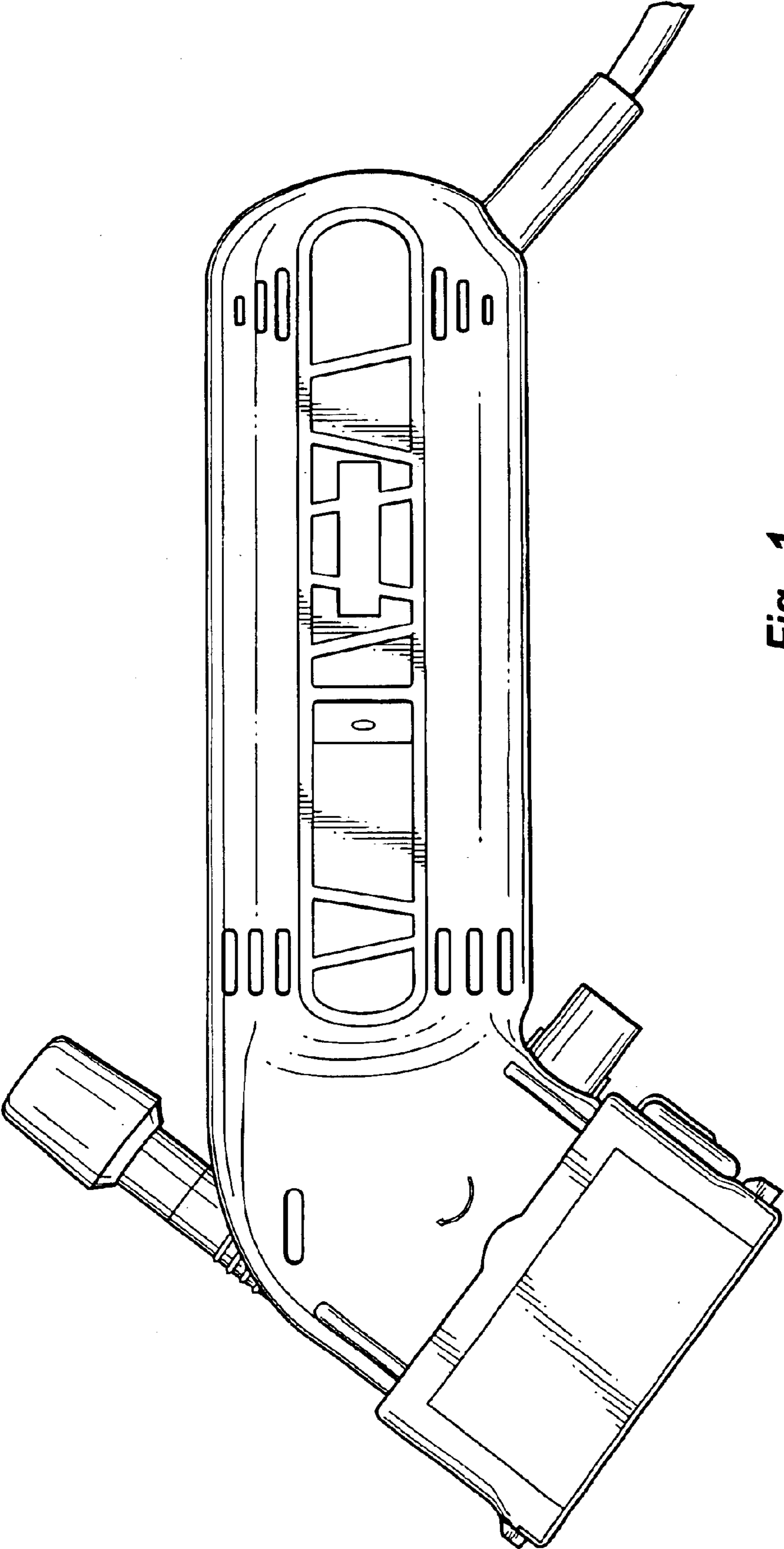


Fig. 1

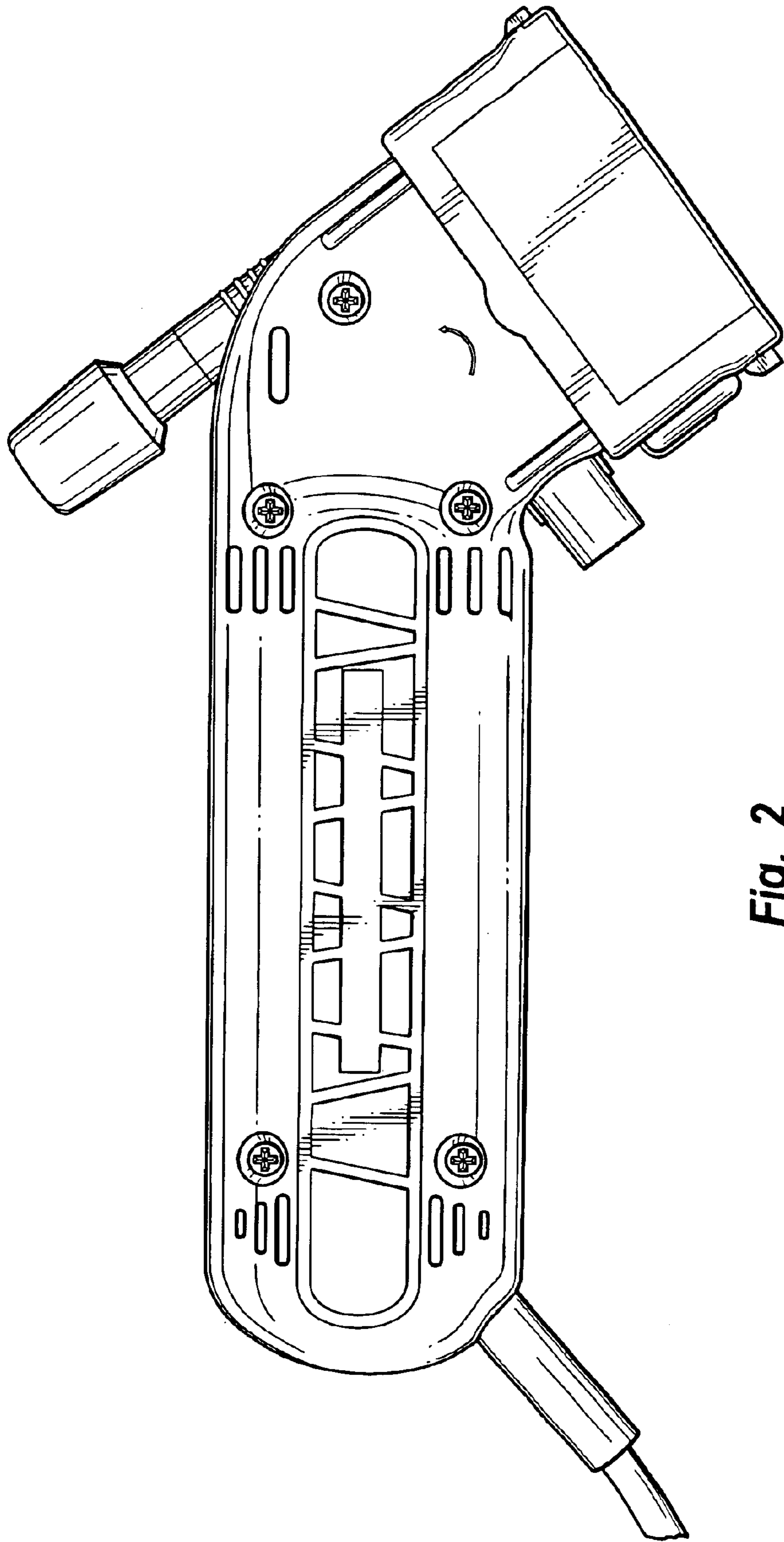


Fig. 2

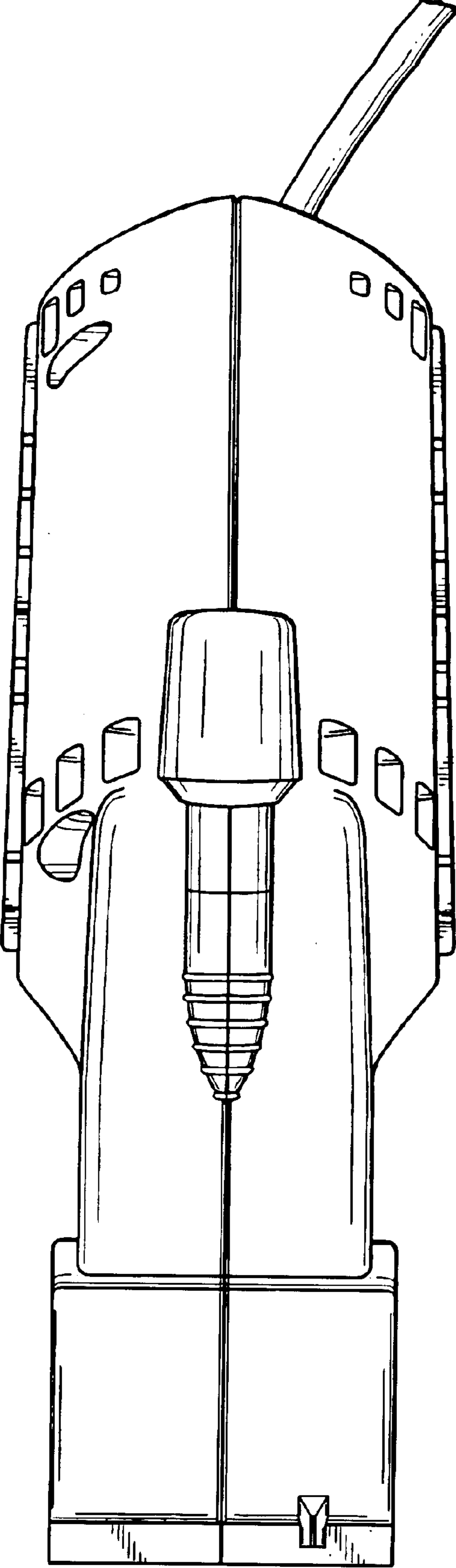


Fig. 3

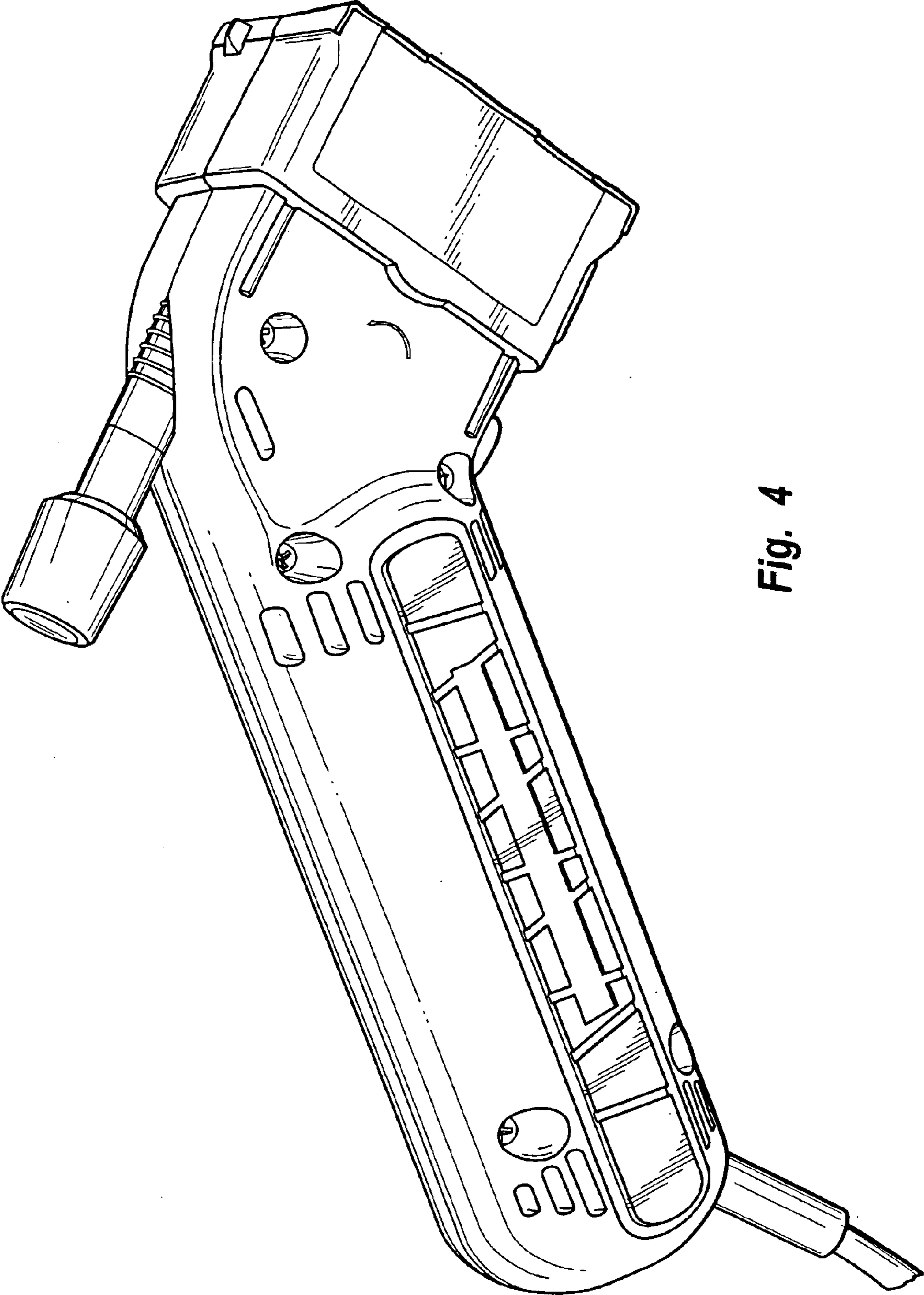


Fig. 4

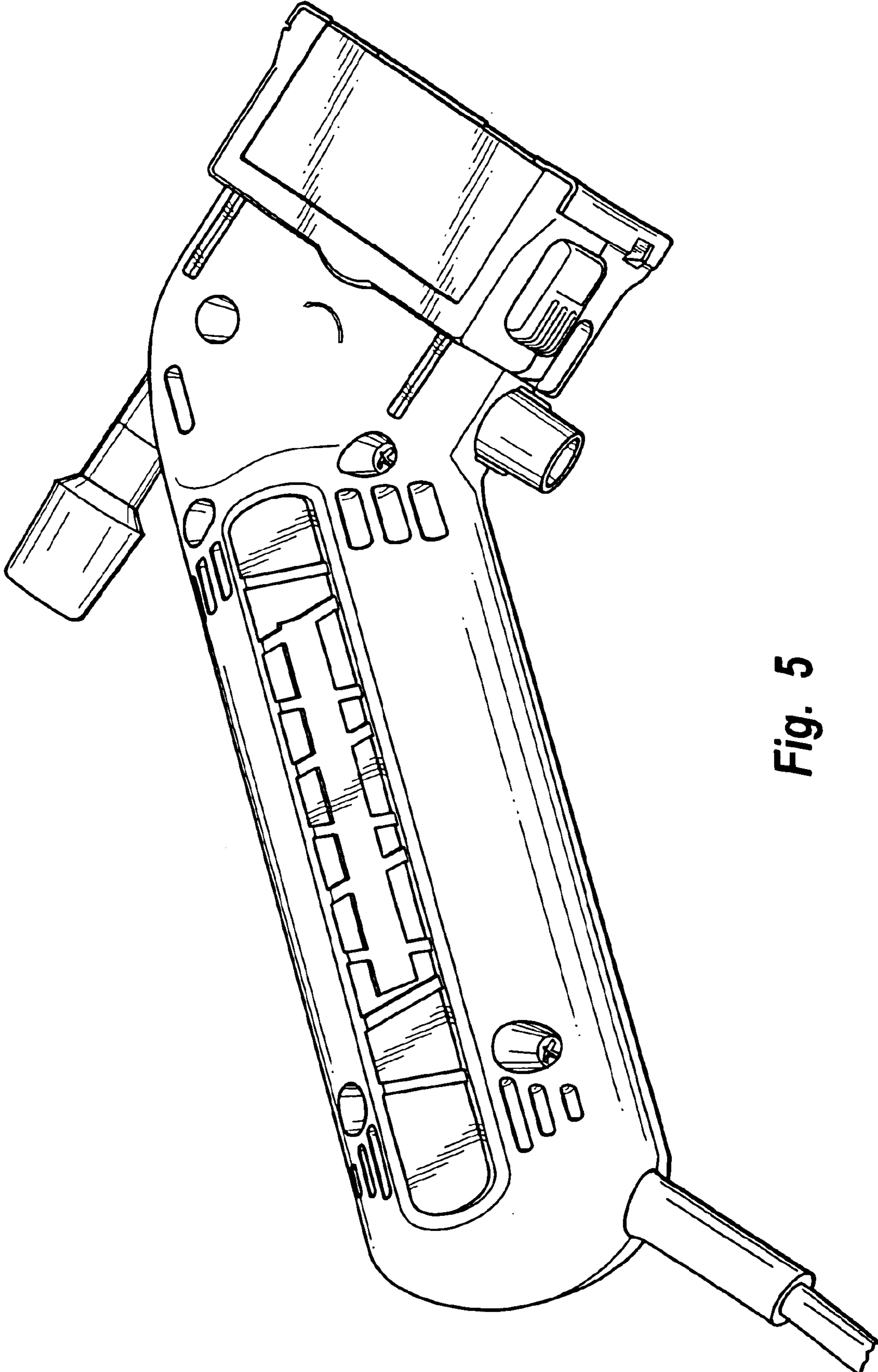


Fig. 5

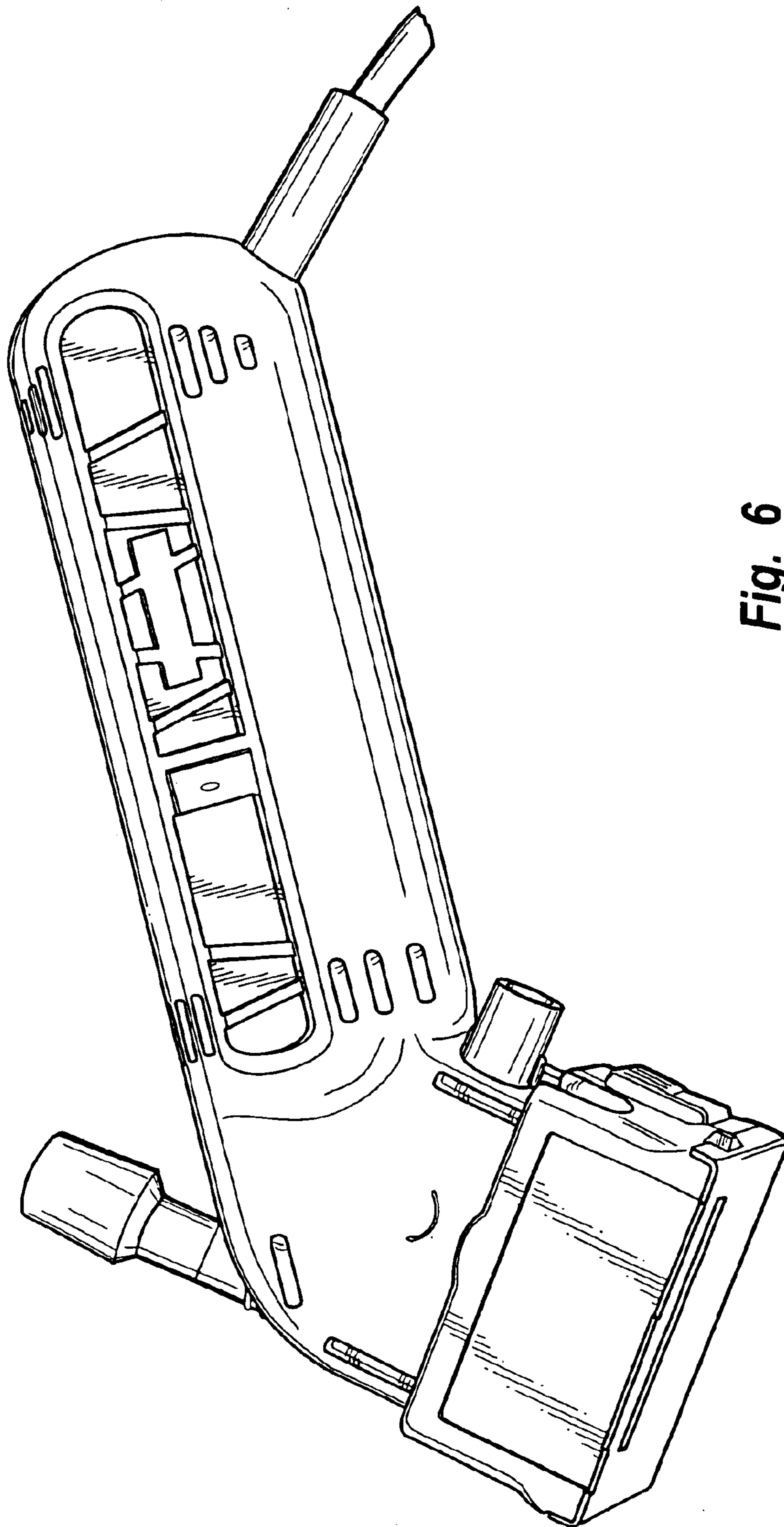


Fig. 6