



US00D492559S1

(12) **United States Design Patent**
Itano

(10) **Patent No.:** **US D492,559 S**
(45) **Date of Patent:** **** Jul. 6, 2004**

(54) **OPTICAL FIBER CLEAVER BODY**

6,634,079 B1 * 10/2003 Kazama 29/564.4

(75) Inventor: **Michael M. Itano**, Seattle, WA (US)

* cited by examiner

(73) Assignee: **Leviton Manufacturing Co., Inc.**,
Little Neck, NY (US)

Primary Examiner—James Gandy
Assistant Examiner—Elizabeth Albert

(**) Term: **14 Years**

(74) *Attorney, Agent, or Firm*—George C. Rondeau, Jr.;
Davis Wright Tremaine LLP

(21) Appl. No.: **29/187,443**

(57) **CLAIM**

(22) Filed: **Aug. 1, 2003**

The ornamental design for an optical fiber cleaver body, as shown and described.

(51) **LOC (7) Cl.** **08-05**

(52) **U.S. Cl.** **D8/51**

(58) **Field of Search** D8/349, 354, 355,
D8/373, 380, 51; D13/152, 153, 154, 156;
225/96, 96.5; 385/77, 78, 84, 134, 135,
137, 147

DESCRIPTION

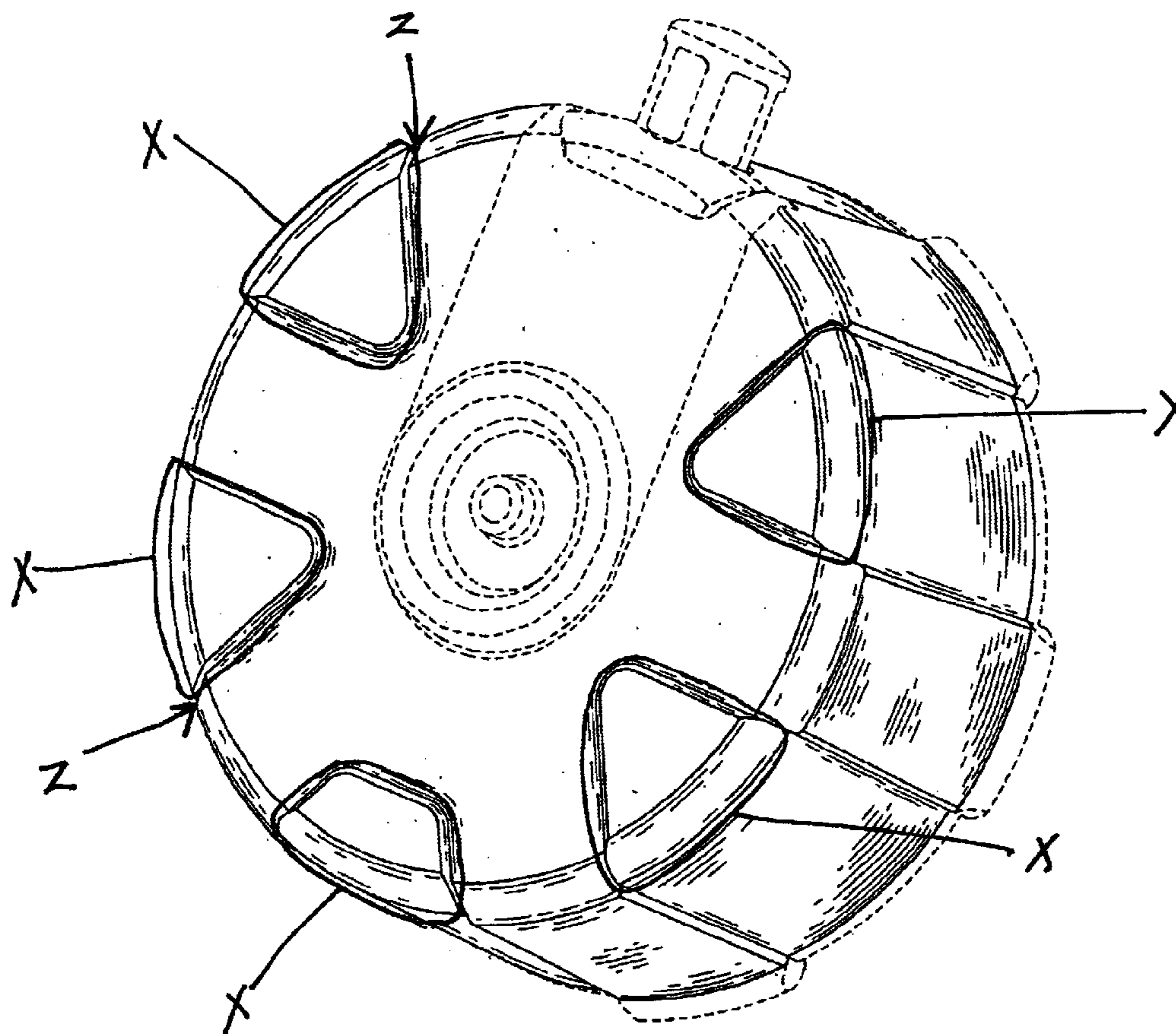
(56) **References Cited**

U.S. PATENT DOCUMENTS

- 5,463,709 A * 10/1995 Terao et al. 385/85
- 6,007,370 A * 12/1999 Langridge 439/455
- 6,264,374 B1 * 7/2001 Selfridge et al. 385/78
- 6,628,879 B2 * 9/2003 Robinson et al. 385/134
- D480,689 S * 10/2003 Ishibashi et al. D13/154

FIG. 1 is a top perspective view of an optical fiber cleaver body showing my/our new design.
 FIG. 2 is a top plan view thereof.
 FIG. 3 is a bottom plan view thereof.
 FIG. 4 is a front elevational view thereof.
 FIG. 5 is a rear elevational view thereof; and,
 FIG. 6 is a right side elevational view thereof, the left side elevational view being a mirror image thereto.
 The broken lines in the figures are for illustrative purposes only and form no part of the claimed design.

1 Claim, 3 Drawing Sheets



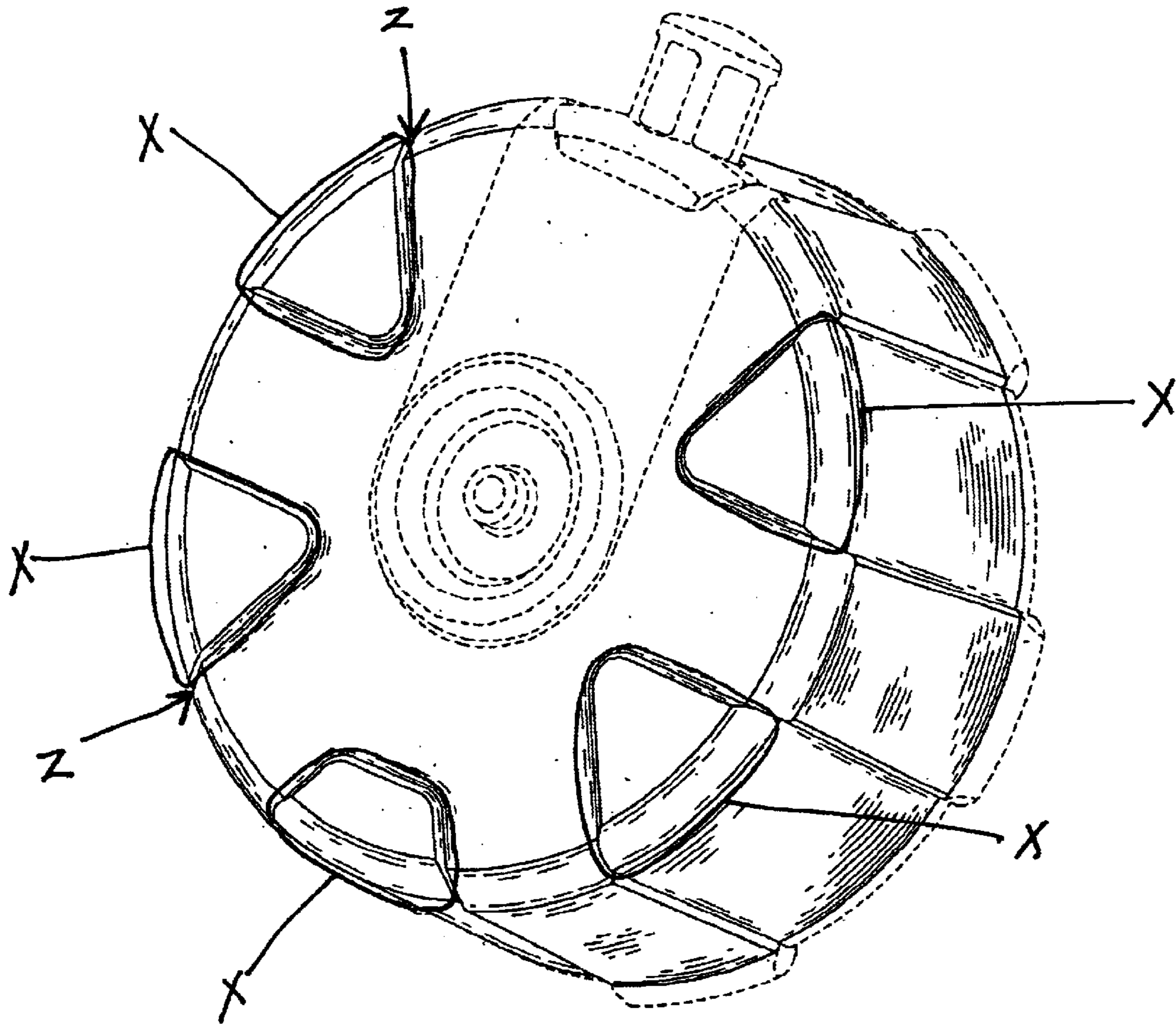


Fig. 1

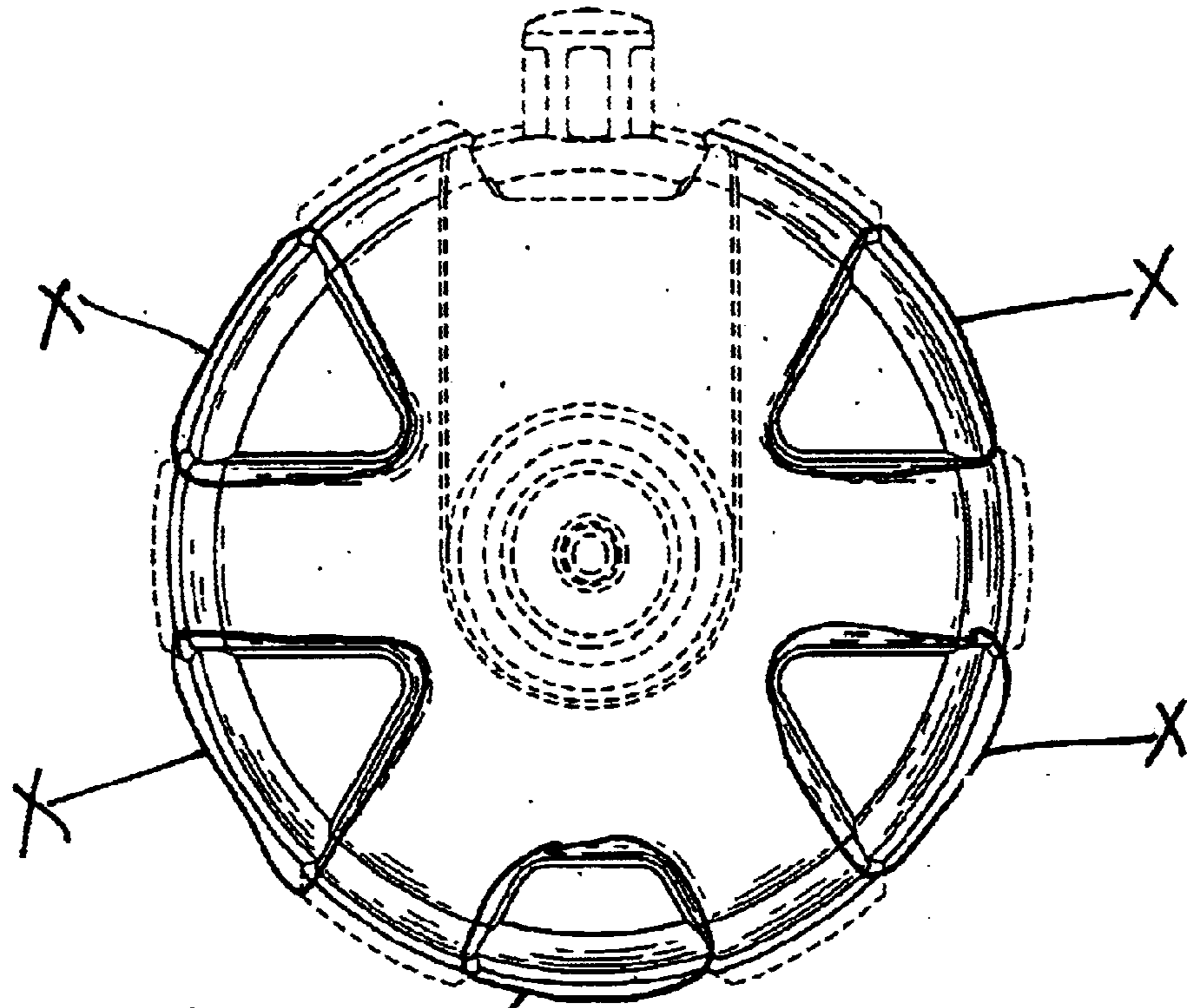


Fig. 2

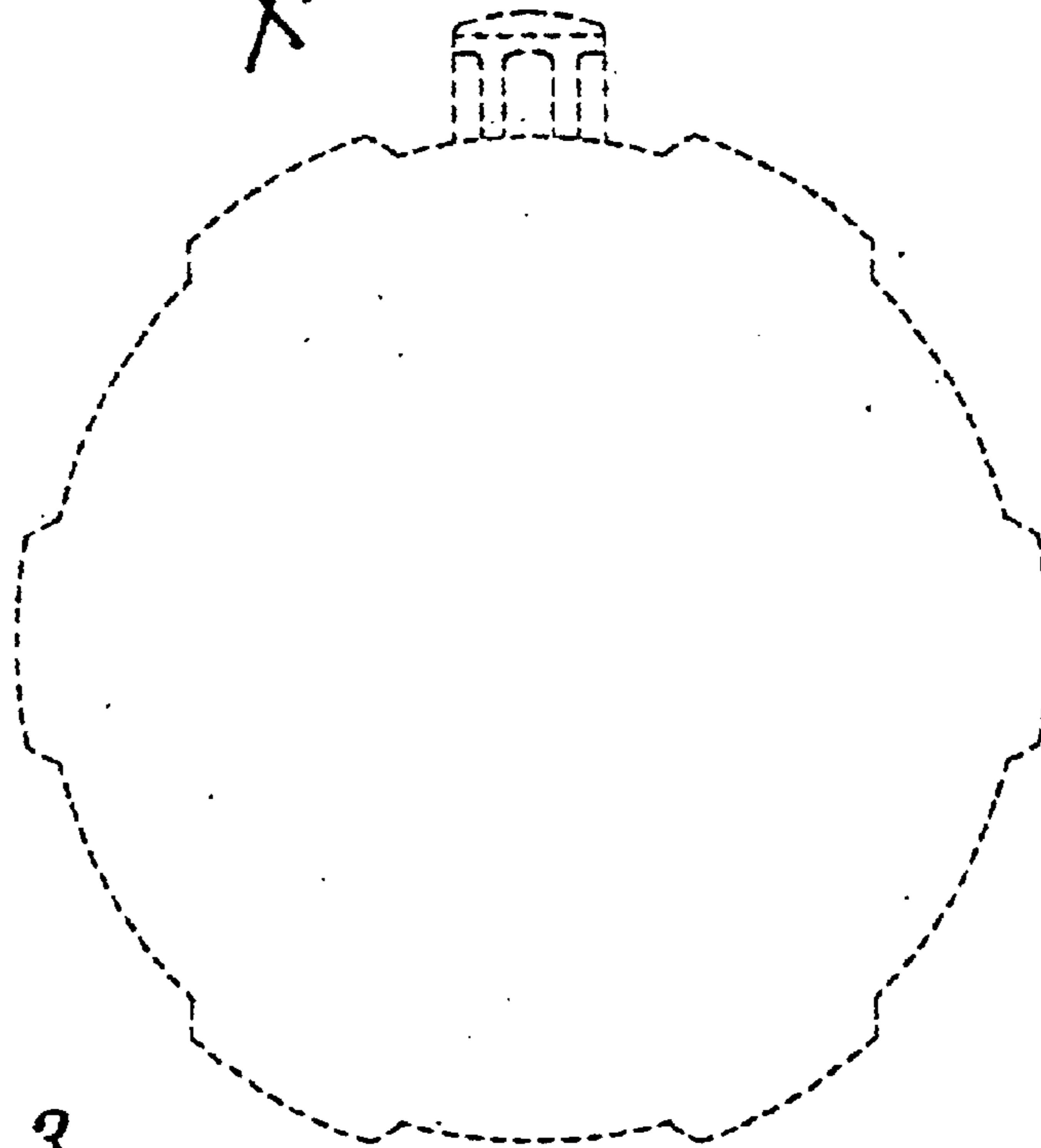


Fig. 3

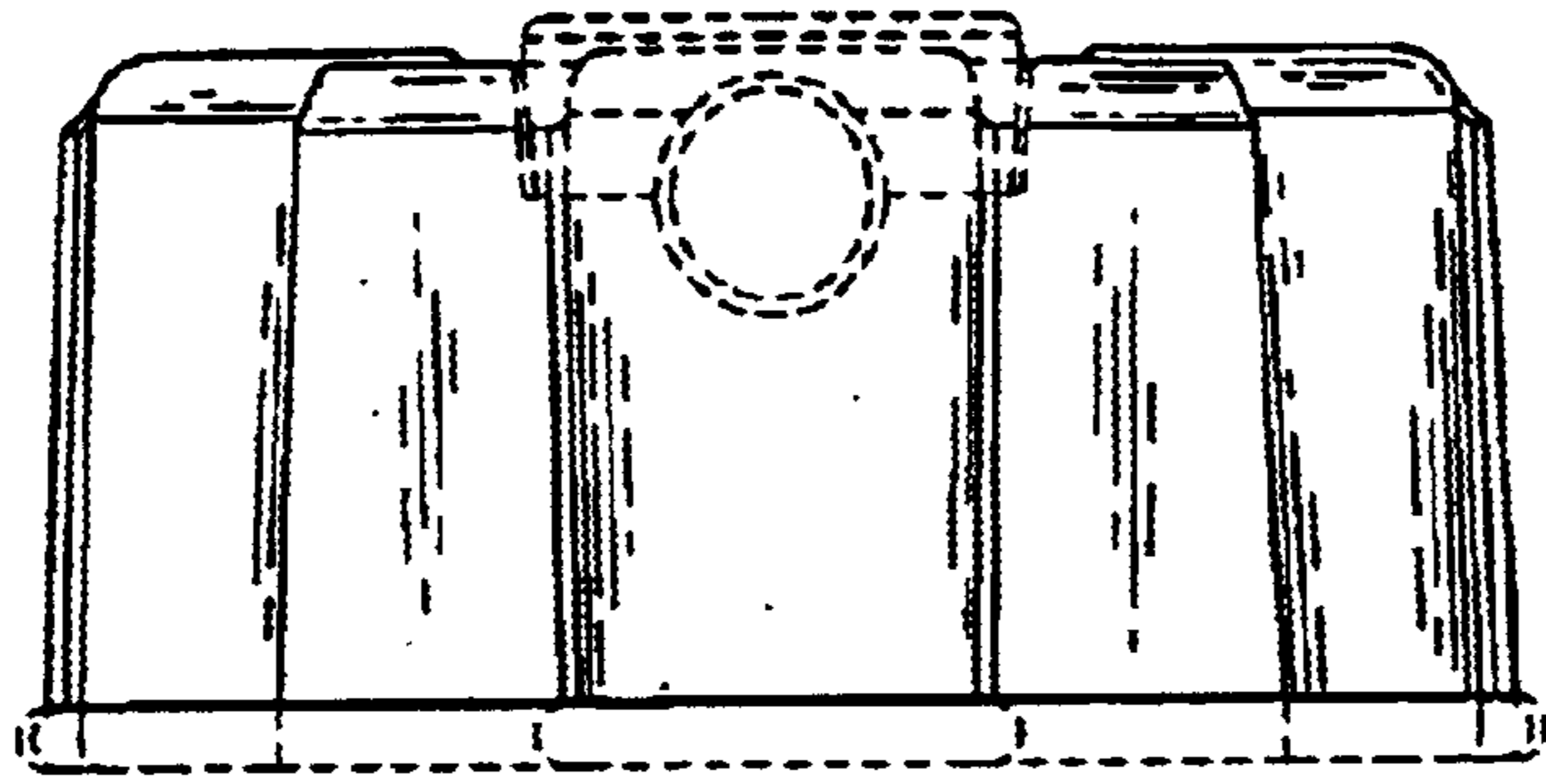


Fig. 4

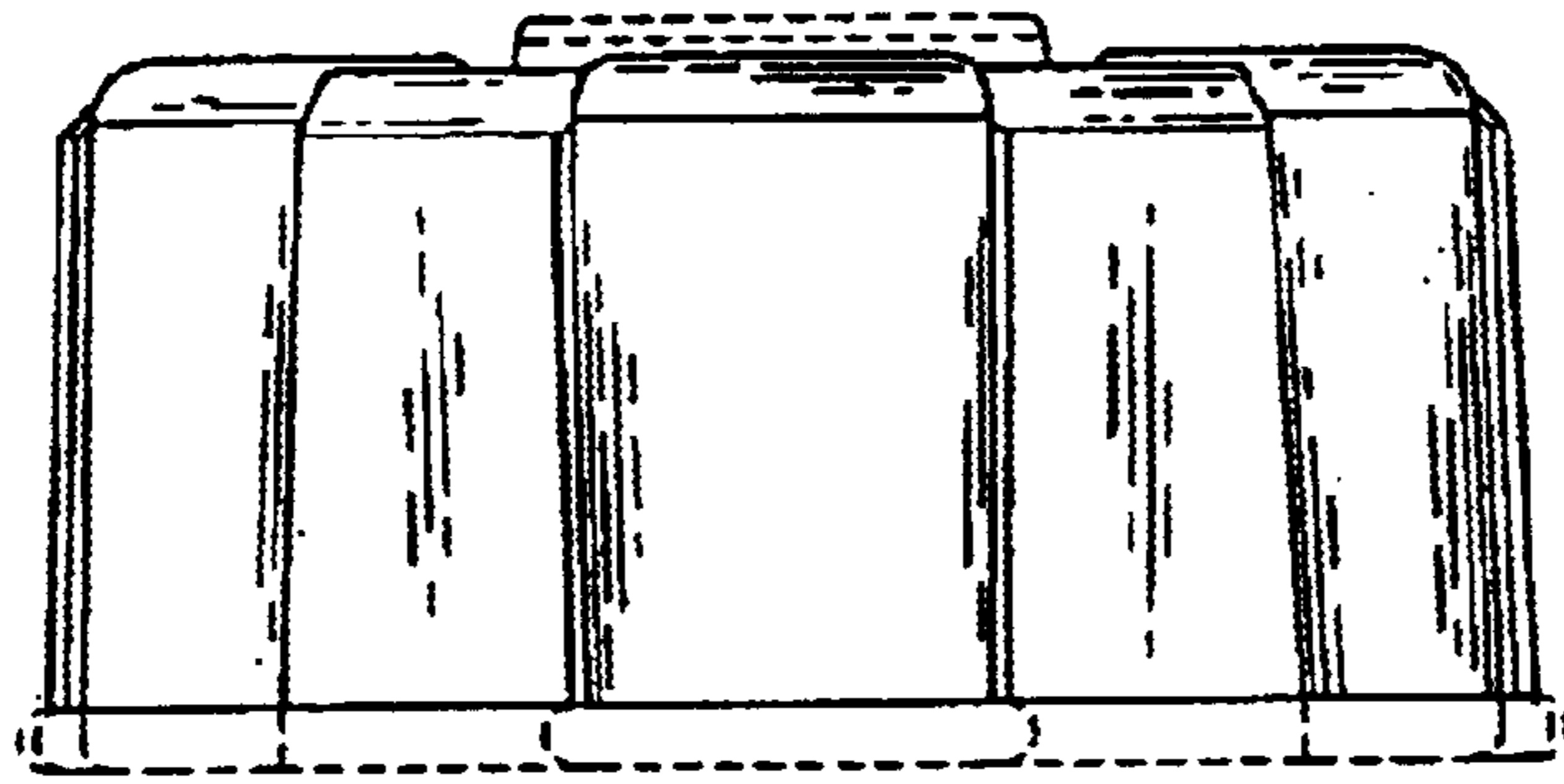


Fig. 5

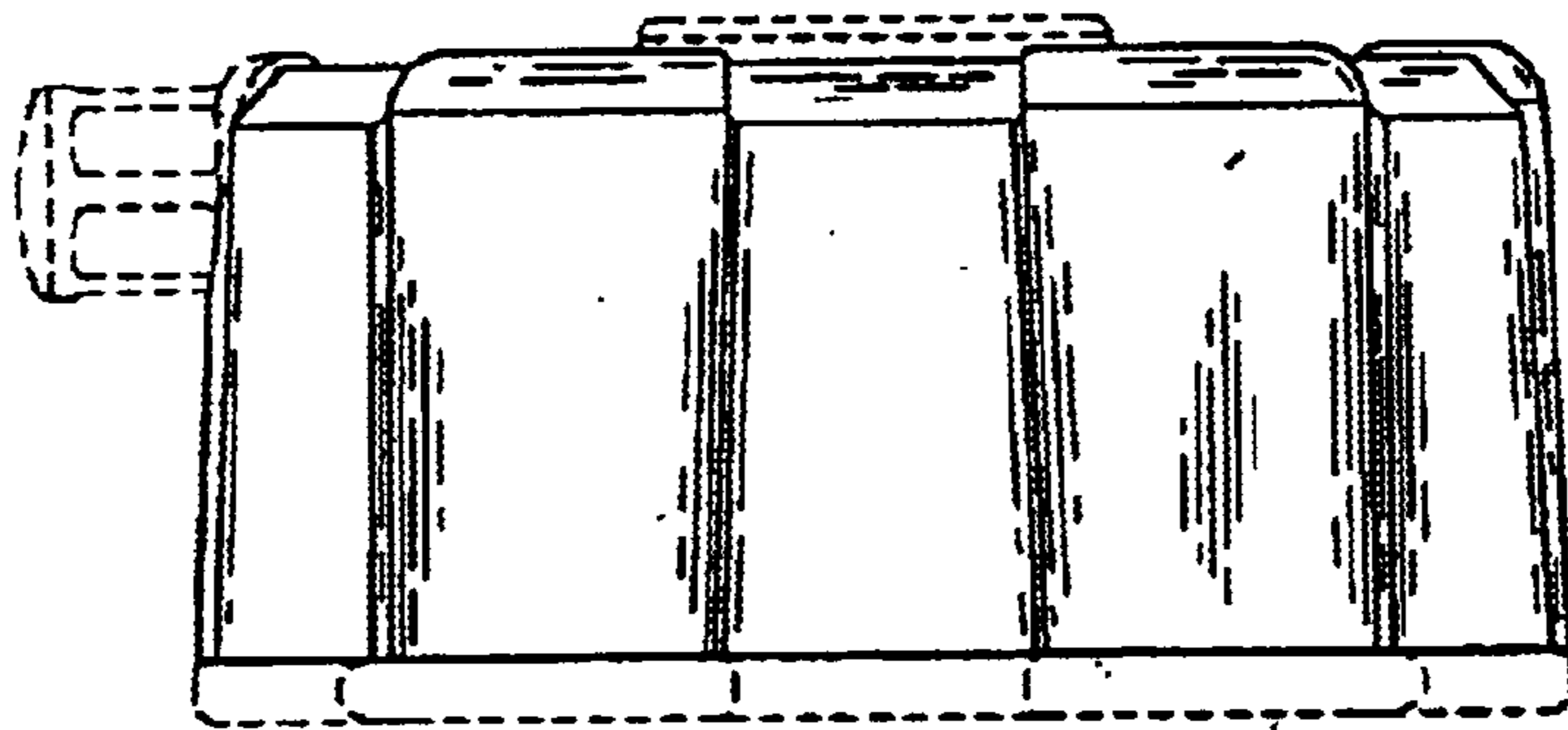


Fig. 6

UNITED STATES PATENT AND TRADEMARK OFFICE
CERTIFICATE OF CORRECTION

PATENT NO. : Des. 492,559 S
DATED : July 6, 2004
INVENTOR(S) : Michael M. Itano

Page 1 of 5

It is certified that error appears in the above-identified patent and that said Letters Patent is hereby corrected as shown below:

The title page should be deleted and substitute therefore the attached title page as shown on the attached page.

Delete drawing sheets 1-3, and substitute therefore the drawing sheets, consisting of Figs. 1-6, as shown on the attached pages.

Signed and Sealed this

Twelfth Day of July, 2005

A handwritten signature in black ink on a dotted background. The signature reads "Jon W. Dudas" in a cursive style.

JON W. DUDAS

Director of the United States Patent and Trademark Office

(12) **United States Design Patent**
Itano

(10) Patent No.: **US D492,559 S**
(45) Date of Patent: **** Jul. 6, 2004**

(54) **OPTICAL FIBER CLEAVER BODY**

6,634,079 B1 * 10/2003 Kazama 29/564.4

(75) Inventor: **Michael M. Itano, Seattle, WA (US)**

* cited by examiner

(73) Assignee: **Leviton Manufacturing Co., Inc.,
Little Neck, NY (US)**

Primary Examiner—James Gandy
Assistant Examiner—Elizabeth Albert
(74) *Attorney, Agent, or Firm*—George C. Rondeau, Jr.;
Davis Wright Tremaine LLP

(**) Term: **14 Years**

(21) Appl. No.: **29/187,443**

(57) **CLAIM**

(22) Filed: **Aug. 1, 2003**

The ornamental design for an optical fiber cleaver body, as shown and described.

(51) LOC (7) Cl. **08-05**

(52) U.S. Cl. **D8/51**

(58) Field of Search D8/349, 354, 355,
D8/373, 380, 51; D13/152, 153, 154, 156;
225/96, 96.5; 385/77, 78, 84, 134, 135,
137, 147

DESCRIPTION

FIG. 1 is a top perspective view of an optical fiber cleaver body showing my/our new design.

FIG. 2 is a top plan view thereof.

FIG. 3 is a bottom plan view thereof.

FIG. 4 is a front elevational view thereof.

FIG. 5 is a rear elevational view thereof; and,

FIG. 6 is a right side elevational view thereof, the left side elevational view being a mirror image thereto.

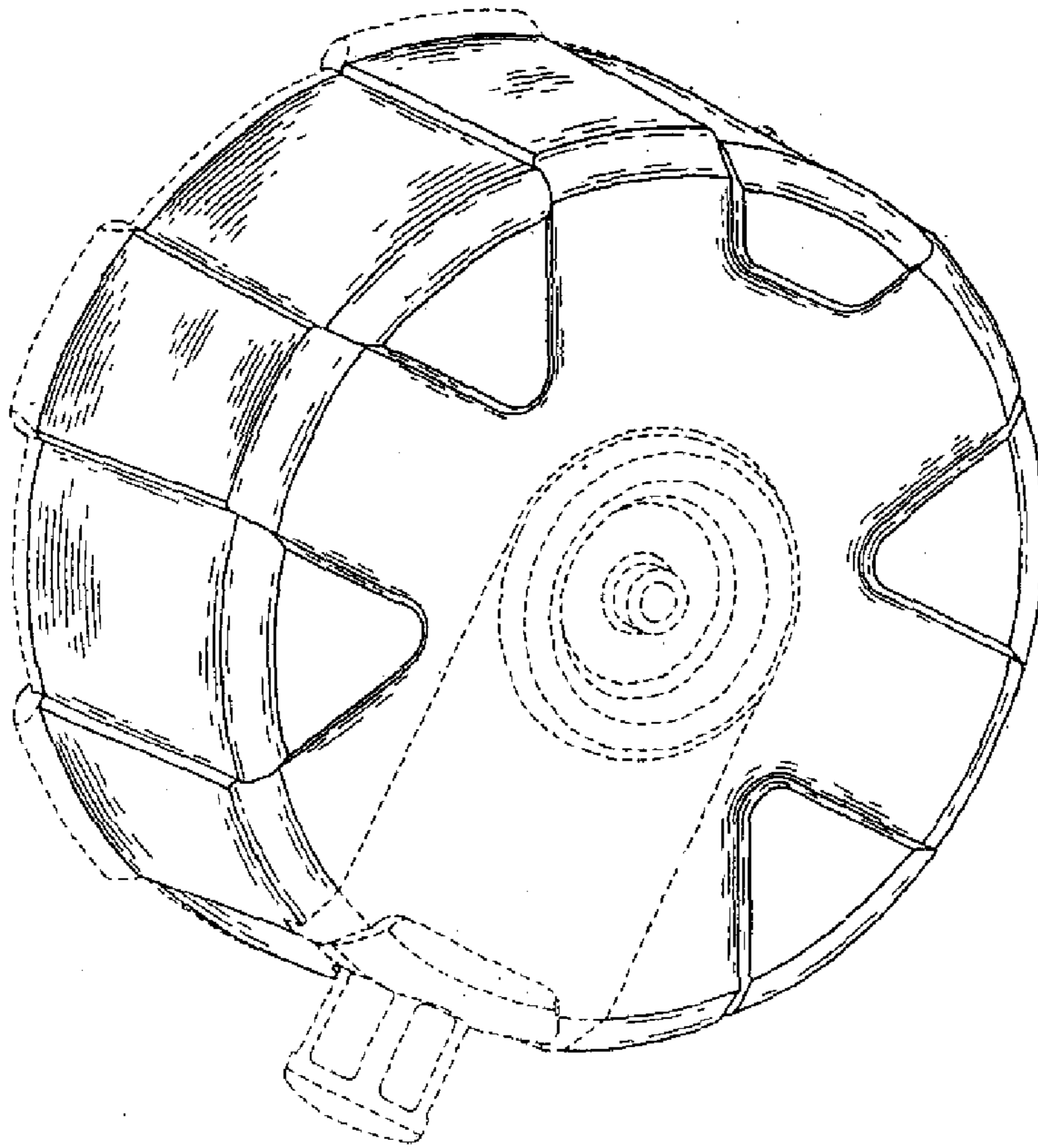
The broken lines in the figures are for illustrative purposes only and form no part of the claimed design.

(56) **References Cited**

U.S. PATENT DOCUMENTS

- 5,463,709 A * 10/1995 Terao et al. 385/85
- 6,007,370 A * 12/1999 Langridge 439/455
- 6,264,374 B1 * 7/2001 Selfridge et al. 385/78
- 6,628,879 B2 * 9/2003 Robinson et al. 385/134
- D480,689 S * 10/2003 Ishibashi et al. D13/154

1 Claim, 3 Drawing Sheets

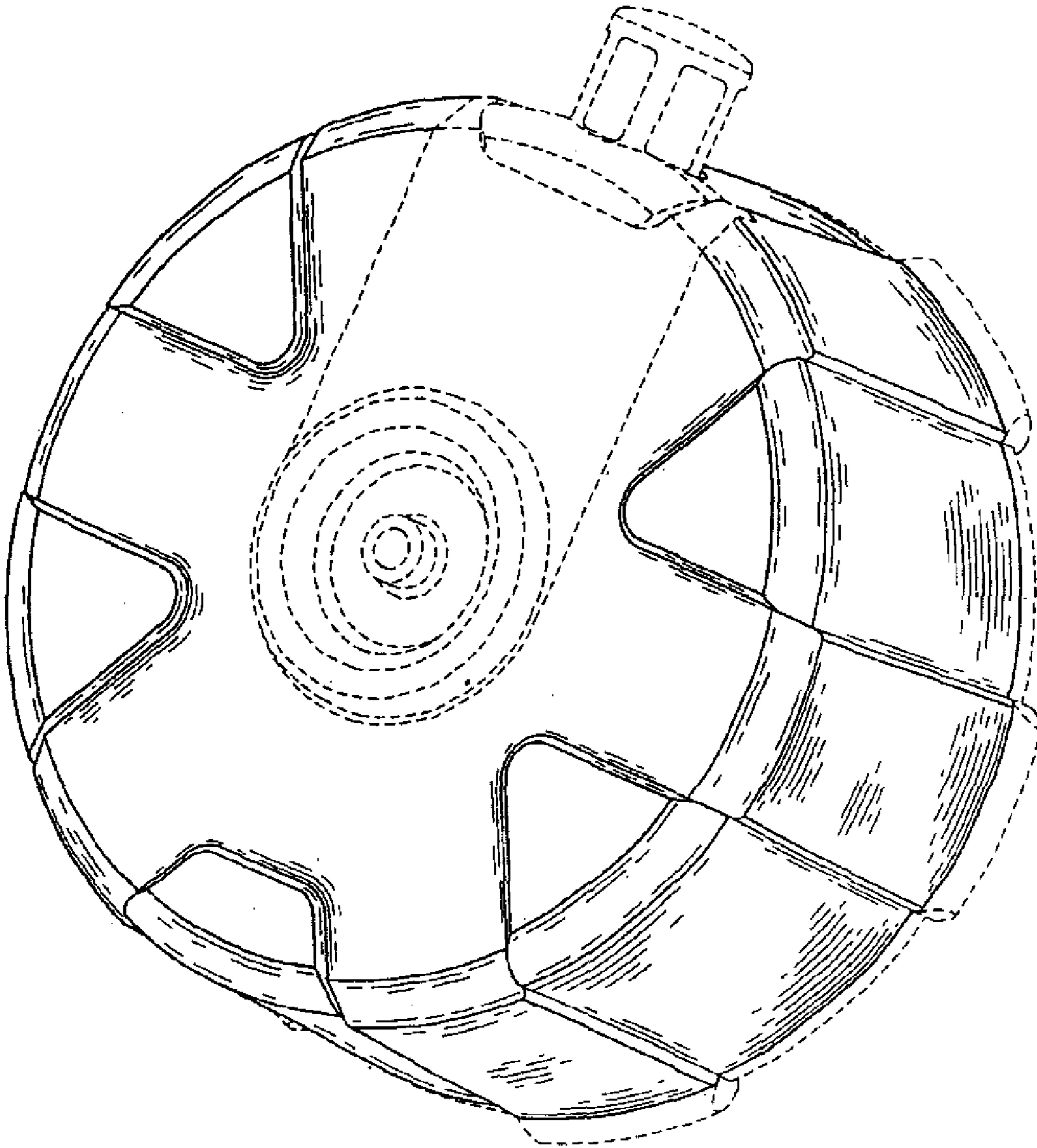


U.S. Patent

Jul. 6, 2004

Sheet 1 of 3

D492,559 S



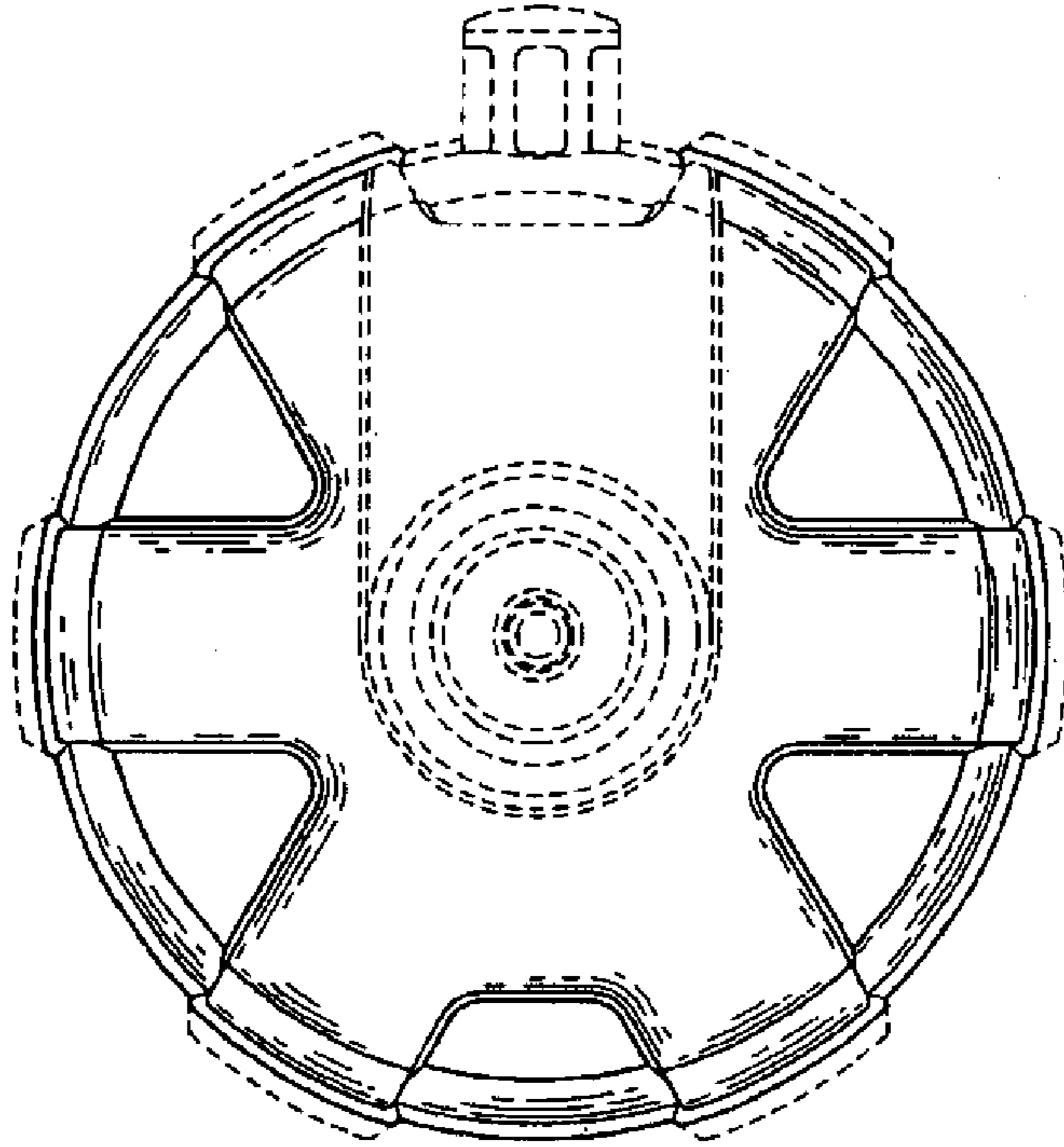


Fig. 2

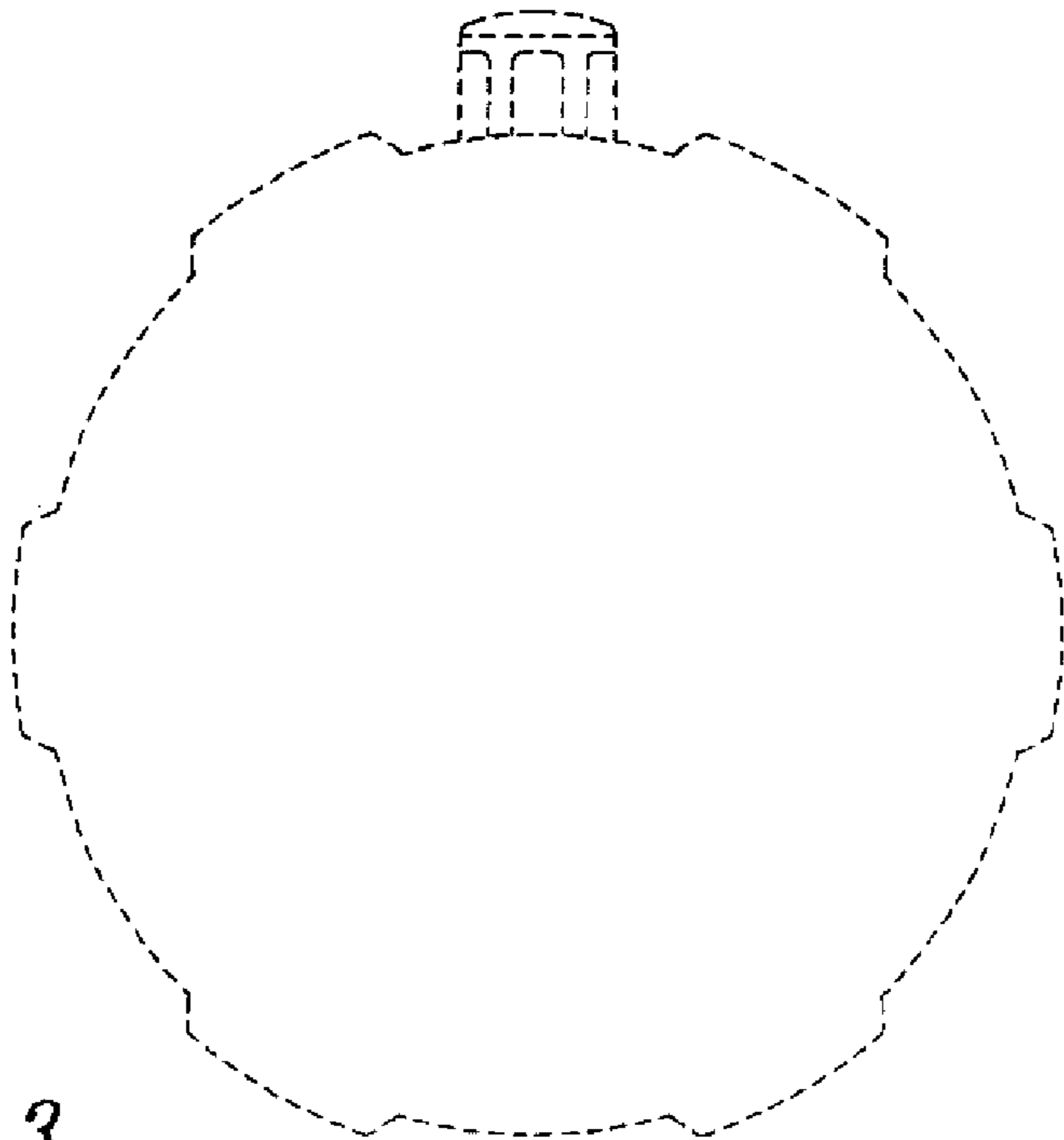


Fig. 3

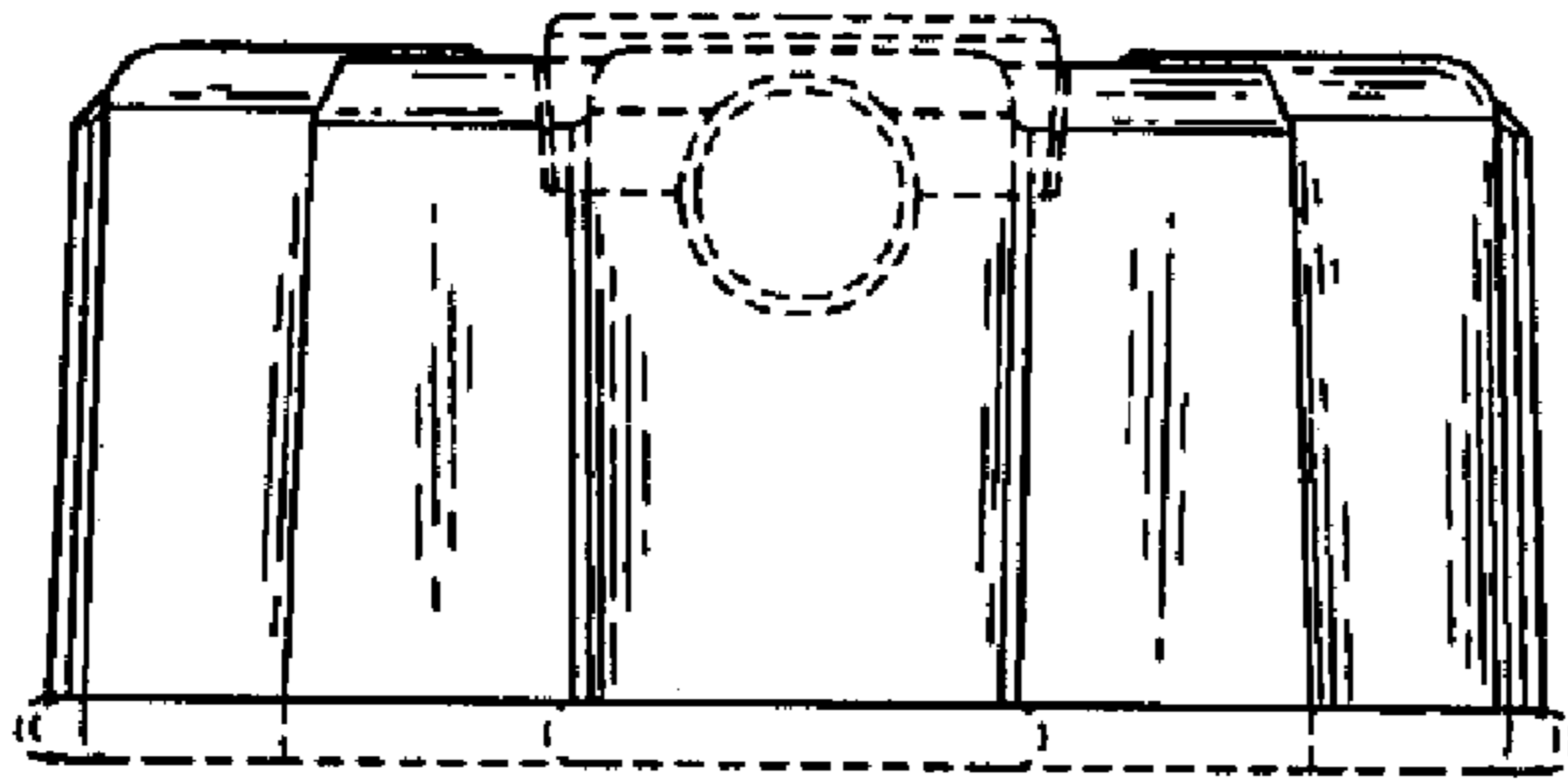


Fig. 4

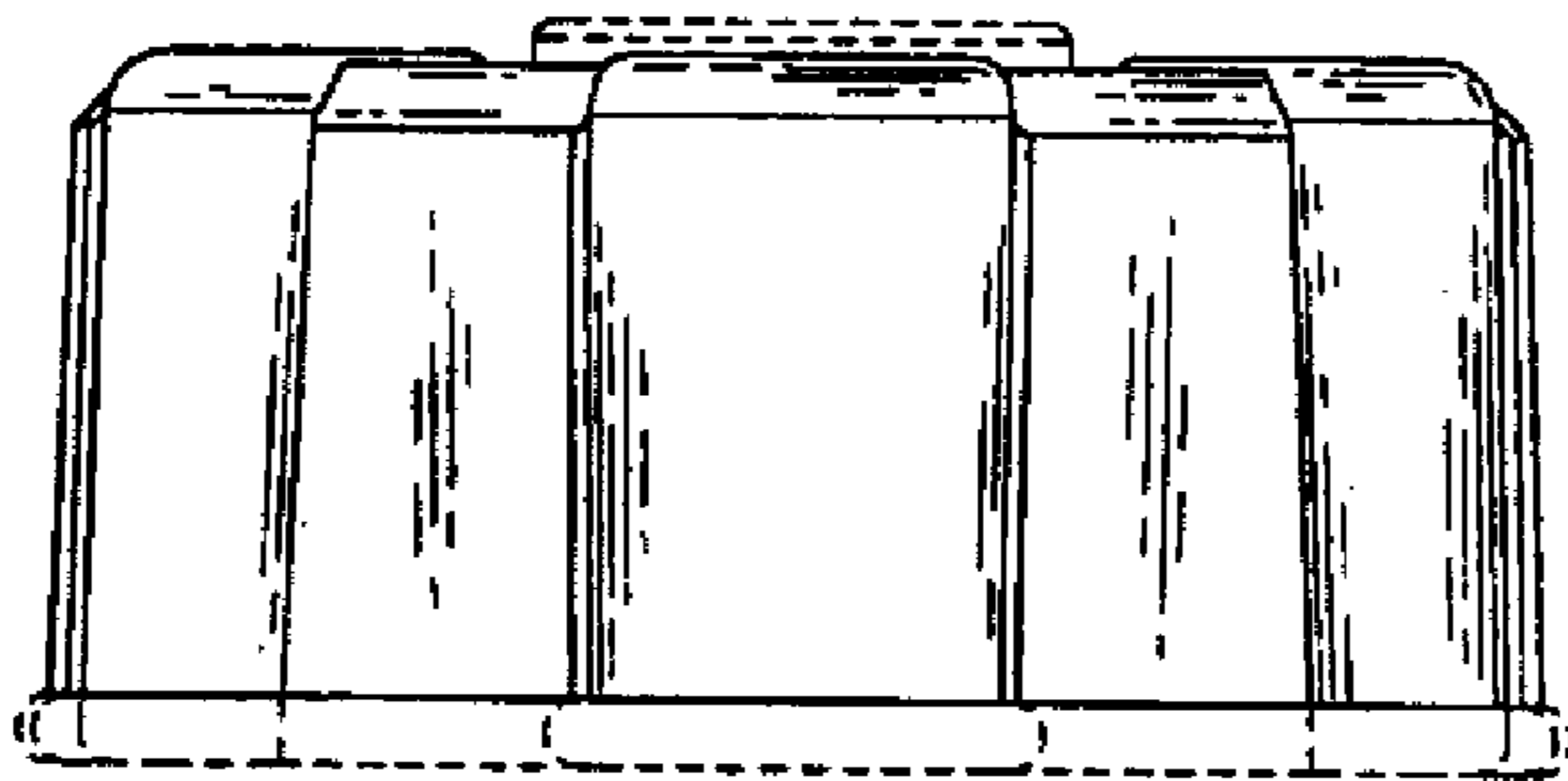


Fig. 5

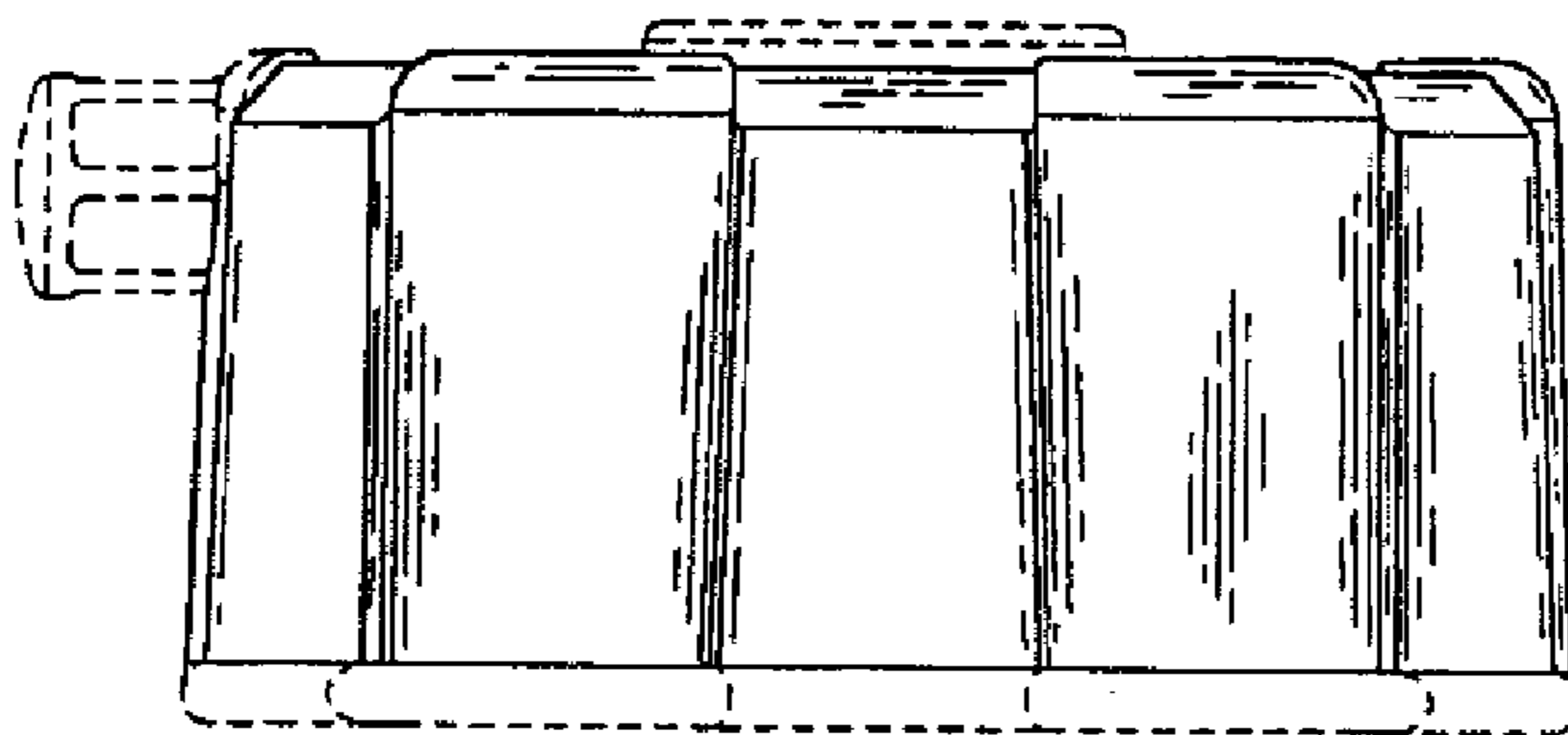


Fig. 6