

US00D492552S1

(12) **United States Design Patent** (10) **Patent No.:** **US D492,552 S**  
**Glucksman et al.** (45) **Date of Patent:** **\*\* Jul. 6, 2004**

(54) **POWER DOUGH AND FOOD MATERIALS PRESS**

(75) Inventors: **Dov Z. Glucksman**, Wenham, MA (US); **Laura J. Nickerson**, Andover, MA (US)

(73) Assignee: **BonJour, Incorporated**, Pacheco, CA (US)

(\*\*) Term: **14 Years**

(21) Appl. No.: **29/192,894**

(22) Filed: **Oct. 29, 2003**

**Related U.S. Application Data**

(62) Division of application No. 29/174,081, filed on Jan. 9, 2003, now Pat. No. Des. 484,010.

(51) **LOC (7) Cl.** ..... **07-04**

(52) **U.S. Cl.** ..... **D7/672**

(58) **Field of Search** ..... D7/672, 665, 669, D7/674; D8/14.1; 222/256, 257, 260, 325-327, 333, 386, 390-392; 425/376.1, 87, 183, 191-192 S

(56) **References Cited**

**U.S. PATENT DOCUMENTS**

4,083,666 A \* 4/1978 Richardson ..... 425/183  
4,569,815 A \* 2/1986 Rentz et al. .... 425/190  
D309,697 S \* 8/1990 So ..... D7/672  
6,386,854 B1 \* 5/2002 Guss ..... 425/193

\* cited by examiner

*Primary Examiner*—Terry A. Wallace

(74) *Attorney, Agent, or Firm*—Morrison & Foerster LLP

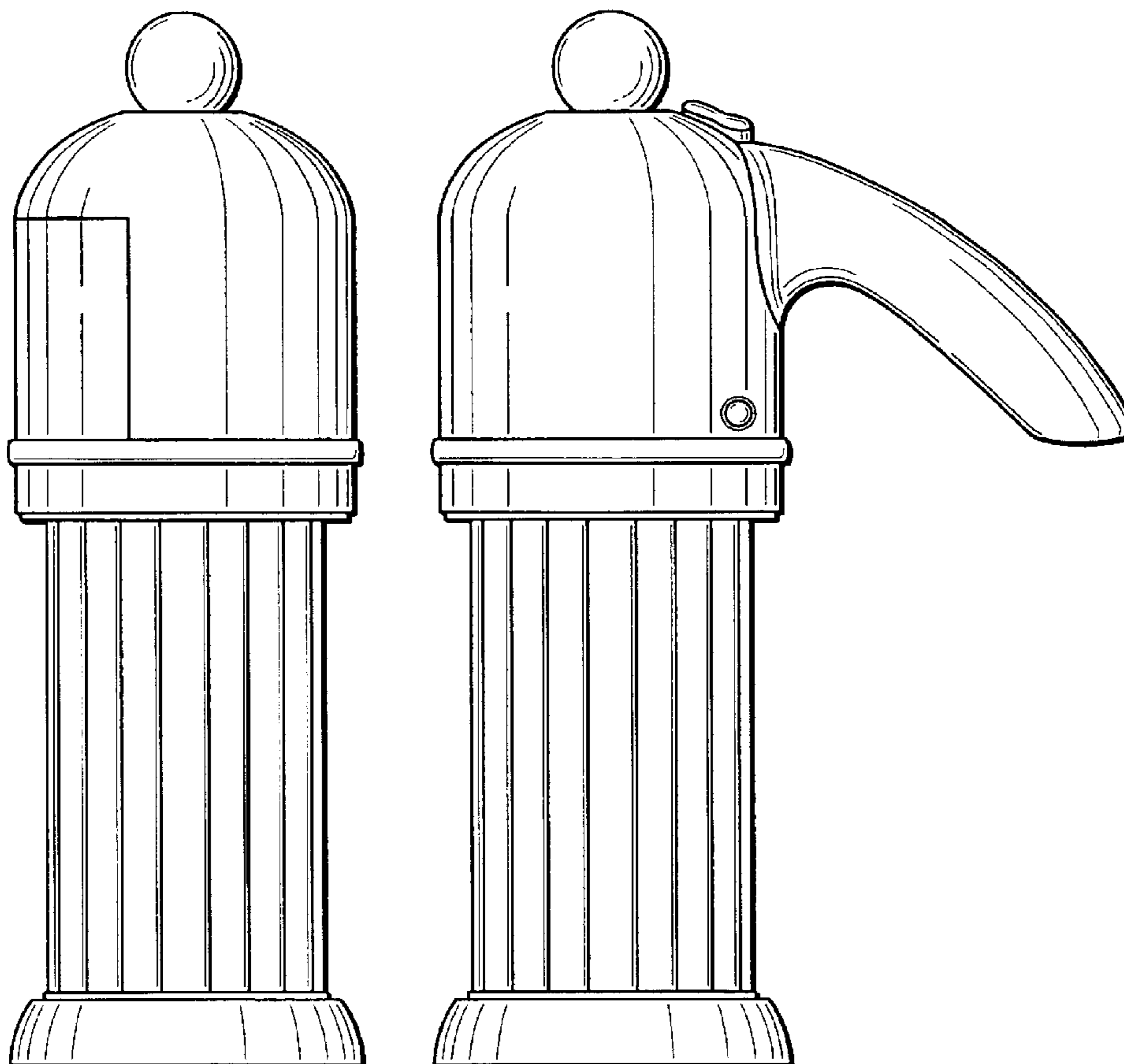
(57) **CLAIM**

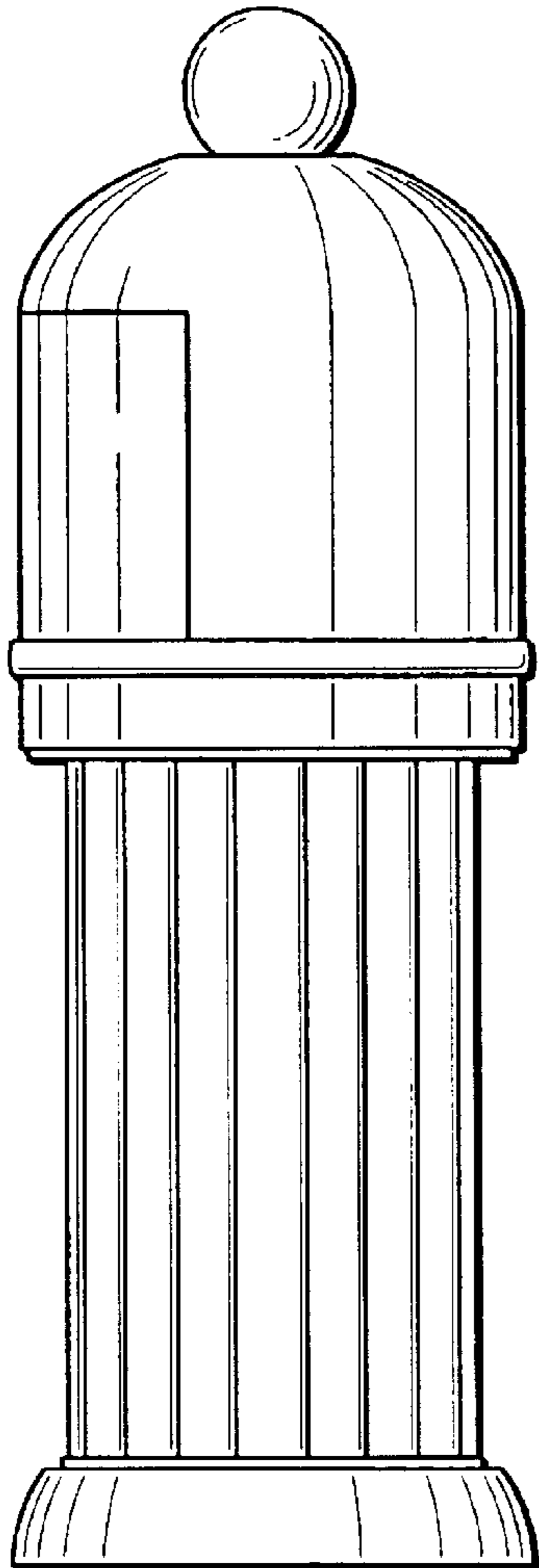
The ornamental design for the power dough and food materials press, as shown and described.

**DESCRIPTION**

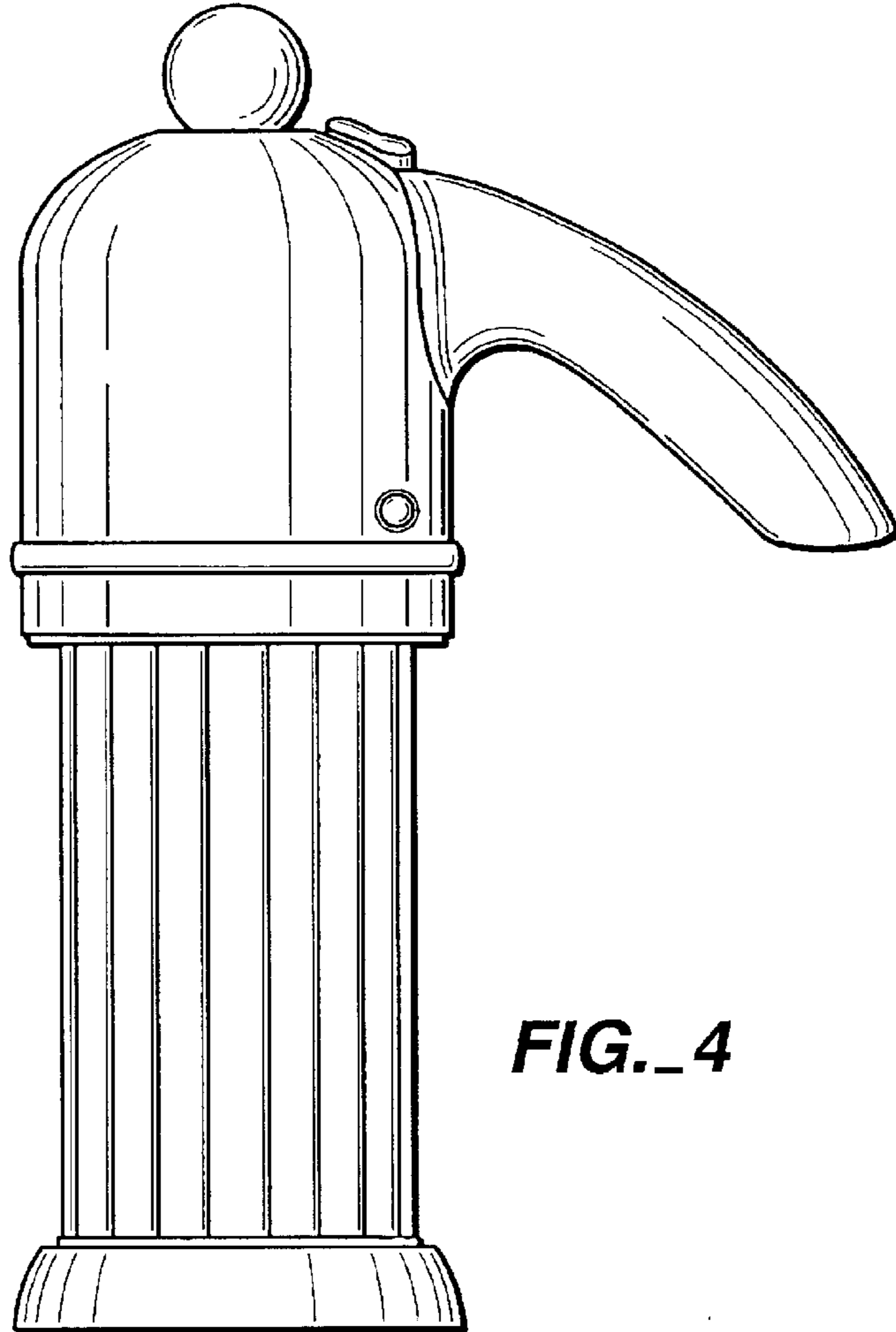
FIG. 1 is a top plan view of the design.  
FIG. 2 is a bottom plan view of the design.  
FIG. 3 is a rear elevation view of the design.  
FIG. 4 is a right side elevation view of the design.  
FIG. 5 is a front elevation view of the design; and,  
FIG. 6 is a left side elevation view of the design.

**1 Claim, 2 Drawing Sheets**

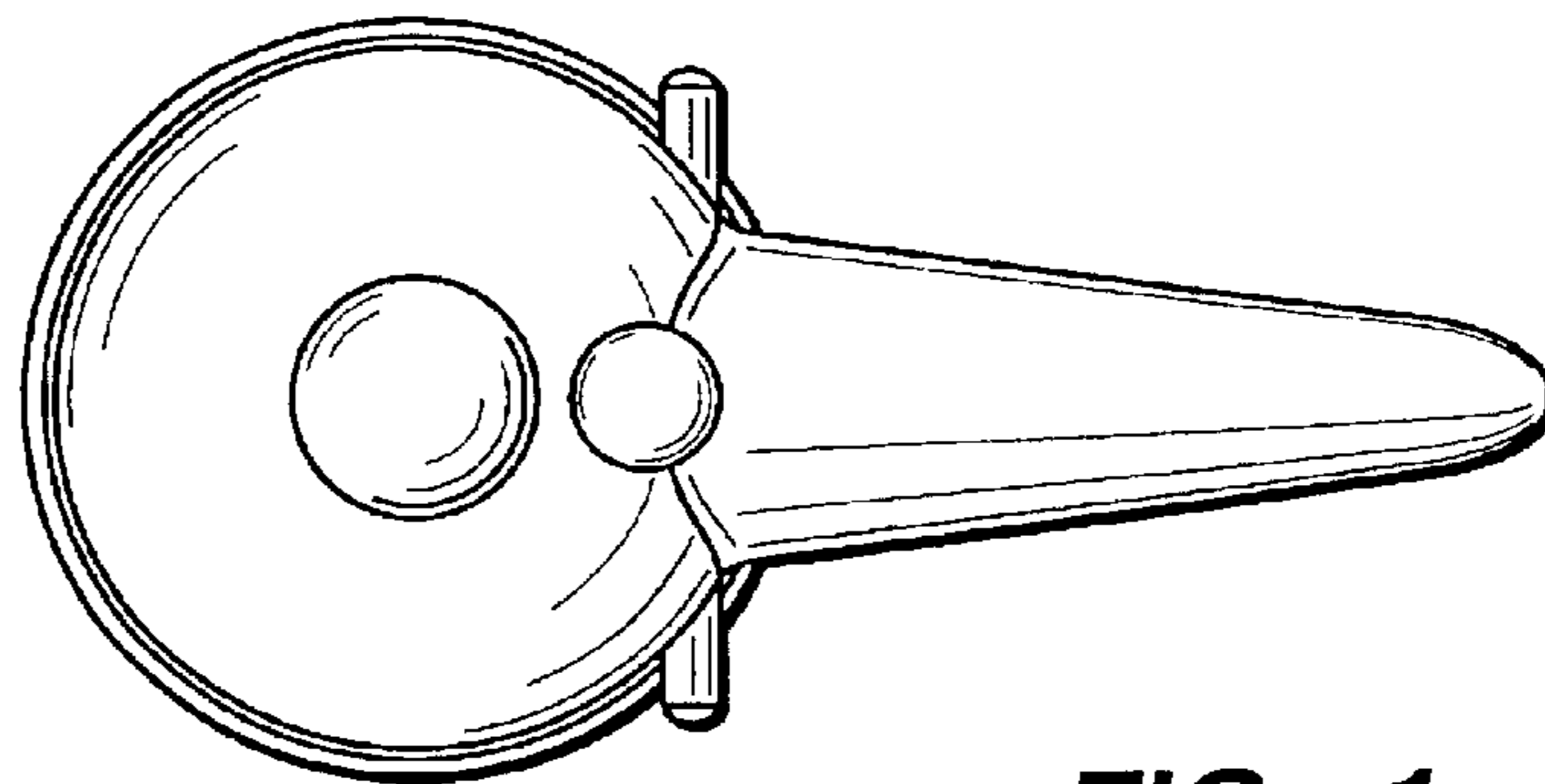




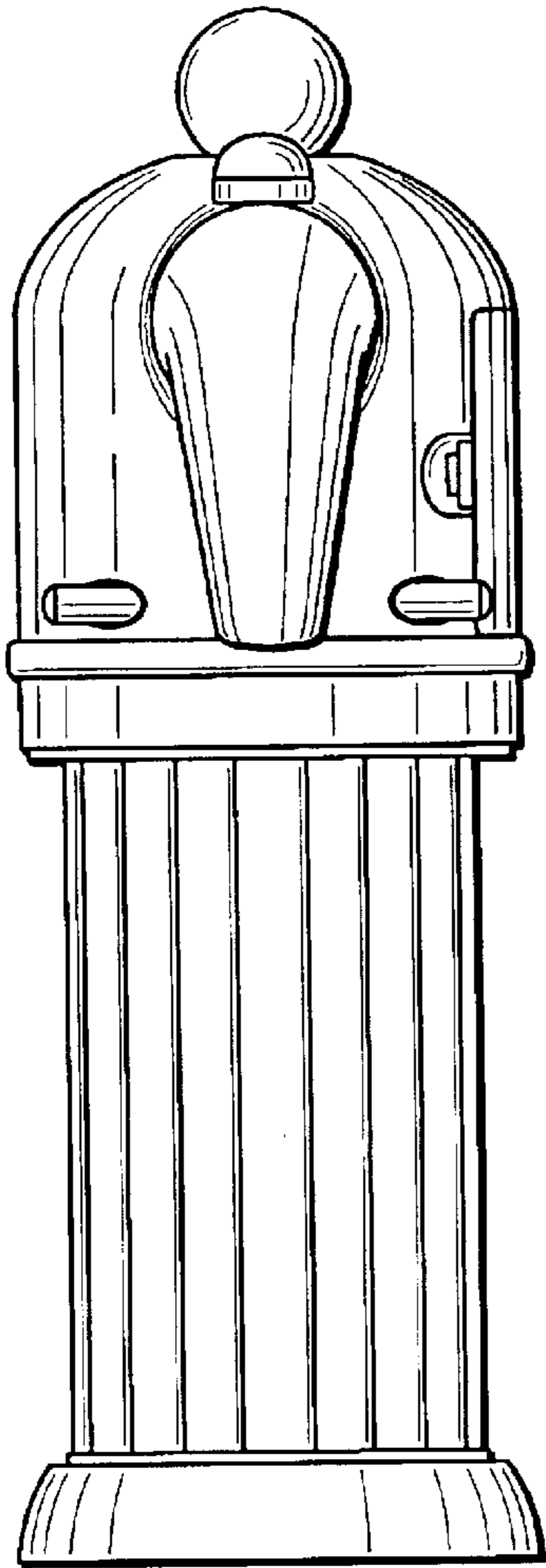
**FIG.\_3**



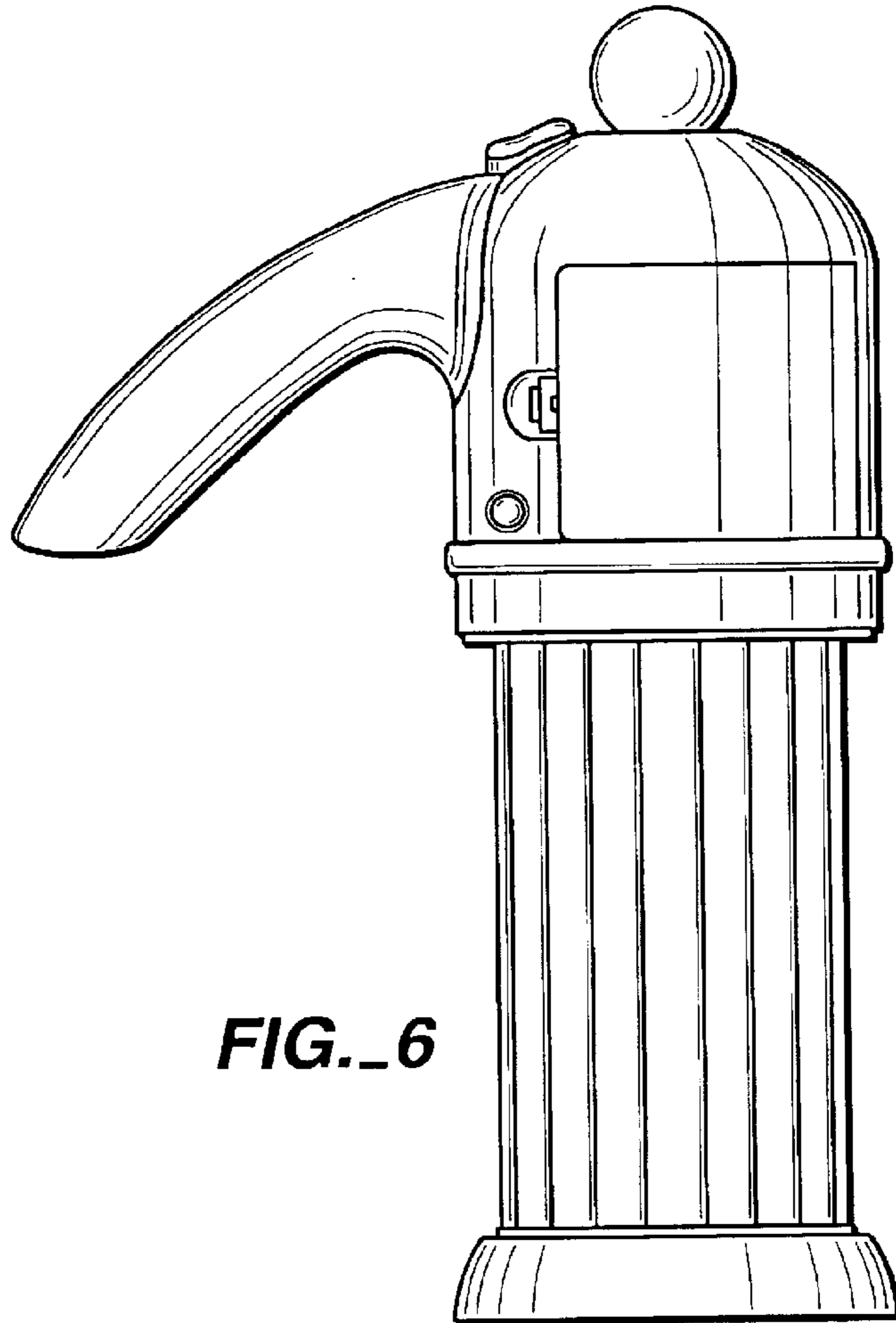
**FIG.\_4**



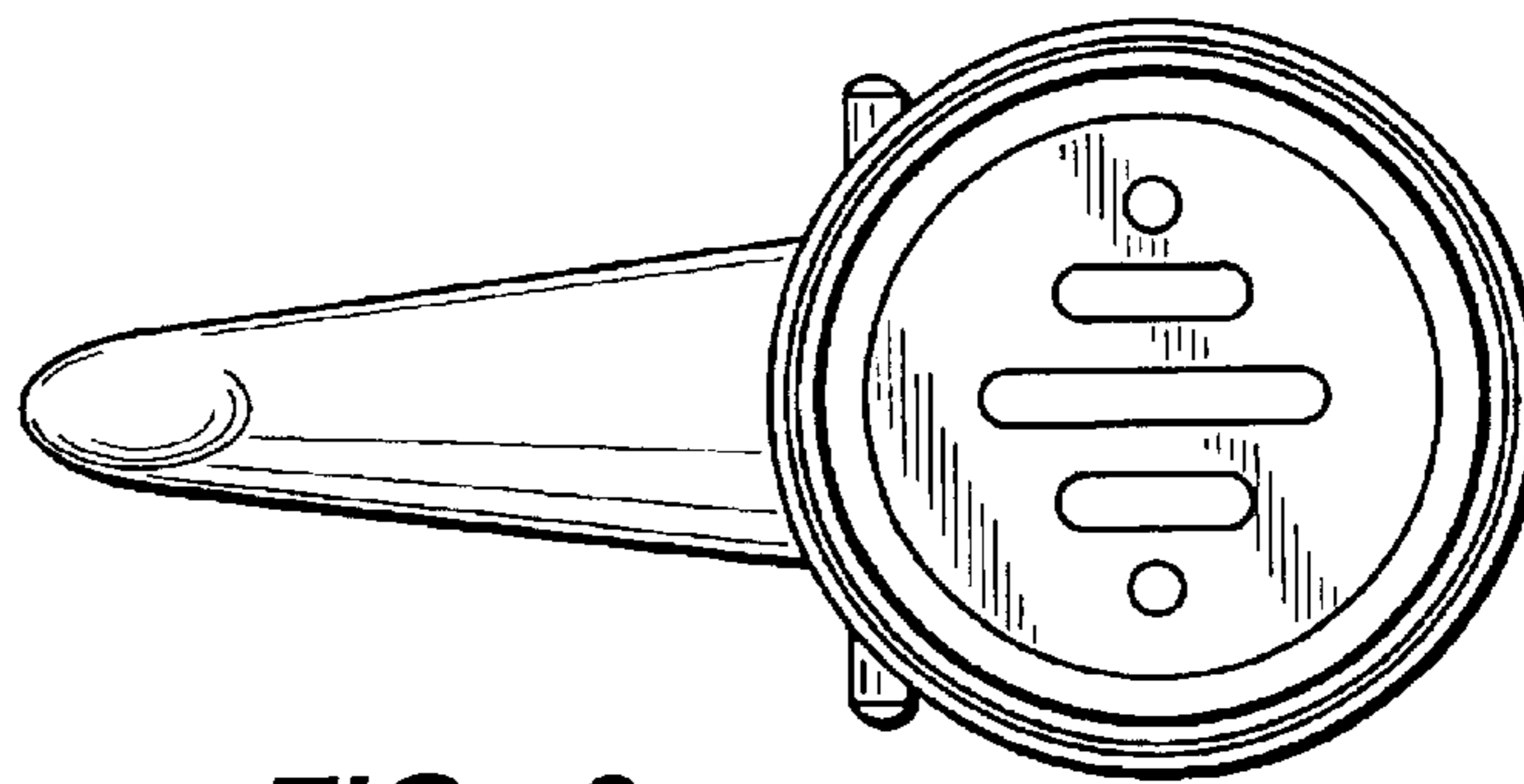
**FIG.\_1**



**FIG.\_5**



**FIG.\_6**



**FIG.\_2**