

US00D492545S1

(12) **United States Design Patent** (10) **Patent No.:** **US D492,545 S**
Becker et al. (45) **Date of Patent:** **** Jul. 6, 2004**

(54) **MODULAR GRATE ARRANGEMENT FOR A GAS COOKING APPLIANCE**

(75) Inventors: **Theodore A. Becker**, Cleveland, TN (US); **S. Todd Brooks**, Cleveland, TN (US); **Dustin L. Hawkins**, Cleveland, TN (US)

(73) Assignee: **Maytag Corporation**, Newton, IA (US)

(**) Term: **14 Years**

(21) Appl. No.: **29/159,537**

(22) Filed: **Apr. 24, 2002**

Related U.S. Application Data

(62) Division of application No. 29/145,218, filed on Jul. 19, 2001.

(51) **LOC (7) Cl.** **07-02**

(52) **U.S. Cl.** **D7/408**

(58) **Field of Search** D7/408, 407, 409, D7/346, 347, 402; 126/39 B, 211, 215-218, 214 C, 214 R, 152 R

(56) **References Cited**

U.S. PATENT DOCUMENTS

D367,802 S	*	3/1996	Lewis et al.	D7/408
D468,161 S	*	1/2003	Goodwin	D7/408
D481,589 S	*	11/2003	Becker et al.	D7/408

* cited by examiner

Primary Examiner—Catherine R. Oliver

(74) *Attorney, Agent, or Firm*—Diederiks & Whitelaw, PLC

(57) **CLAIM**

The ornamental design for a modular grate arrangement for a gas cooking appliance, as shown and described.

DESCRIPTION

FIG. 1 is a top right perspective view of a modular grate arrangement for a gas cooking appliance, showing our new design;

FIG. 2 is a top plan view of left side portion of the modular grate of the invention, shown separately for clarity of illustration, with the right side portion being a mirror image thereof;

FIG. 3 is a front elevational view of the left side portion of the modular grate of FIG. 2; and

FIG. 4 is a rear elevational view of the left side portion of the modular grate of FIG. 2;

FIG. 5 is a right elevational view of the left side portion of the modular grate of FIG. 2;

FIG. 6 is a left elevational view of the left side portion of the modular grate of FIG. 2;

FIG. 7 is a bottom plan view of the left side portion of the modular grate portion of FIG. 2;

FIG. 8 is a top plan view of the central grate portion of the modular grate of the invention, shown separately for clarity of illustration;

FIG. 9 is a front elevational view of the central grate portion of FIG. 8;

FIG. 10 is a rear elevational view of the central grate portion of FIG. 8;

FIG. 11 is a right elevational view of the central grate portion of FIG. 8, with the left elevational view being a mirror image thereof; and

FIG. 12 is a bottom plan view of the central grate portion of FIG. 8.

The broken lines in FIG. 1 showing gas valve control knobs and a cooktop are for illustrative purposes only and form no part of the claimed invention.

1 Claim, 5 Drawing Sheets

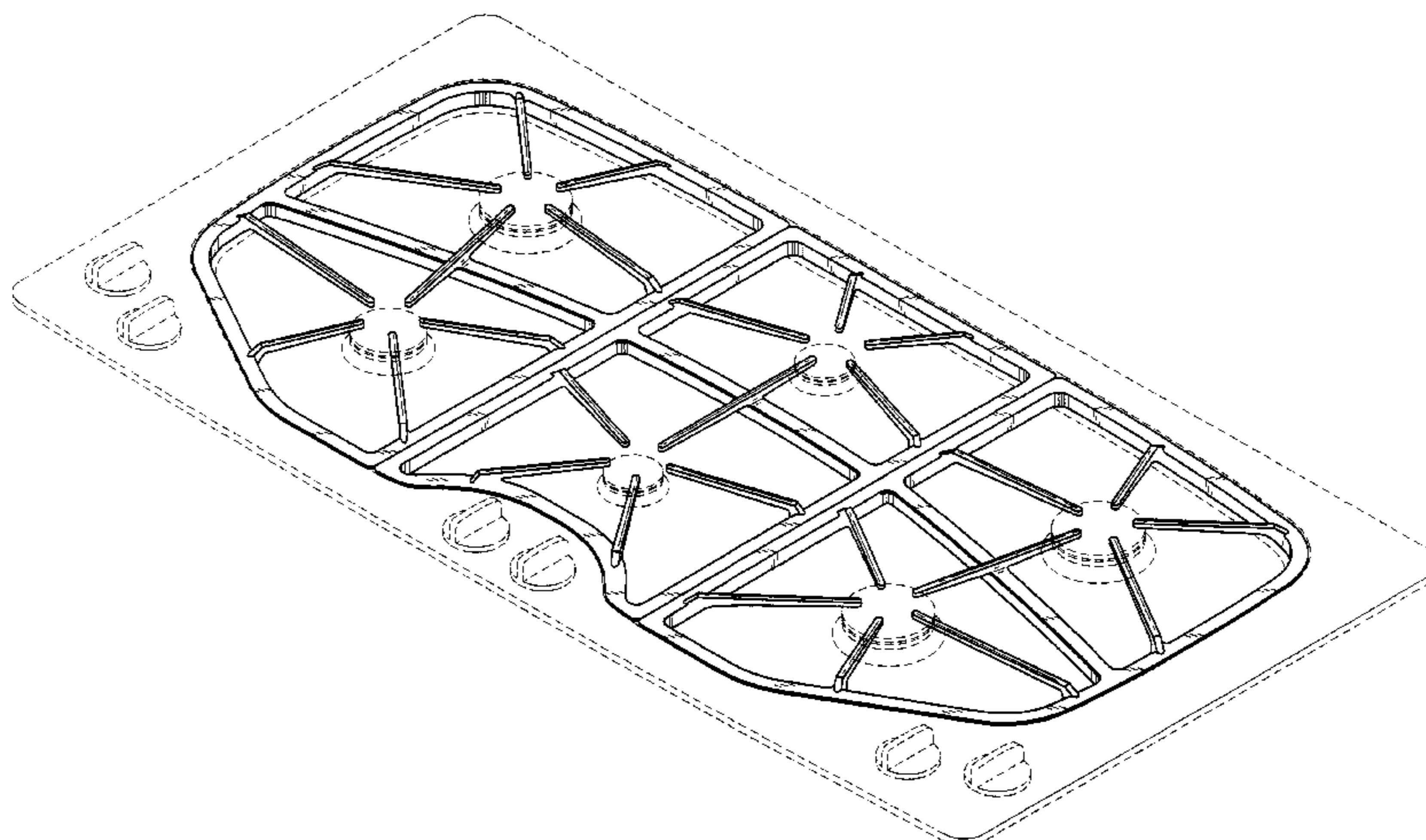


FIG. 1

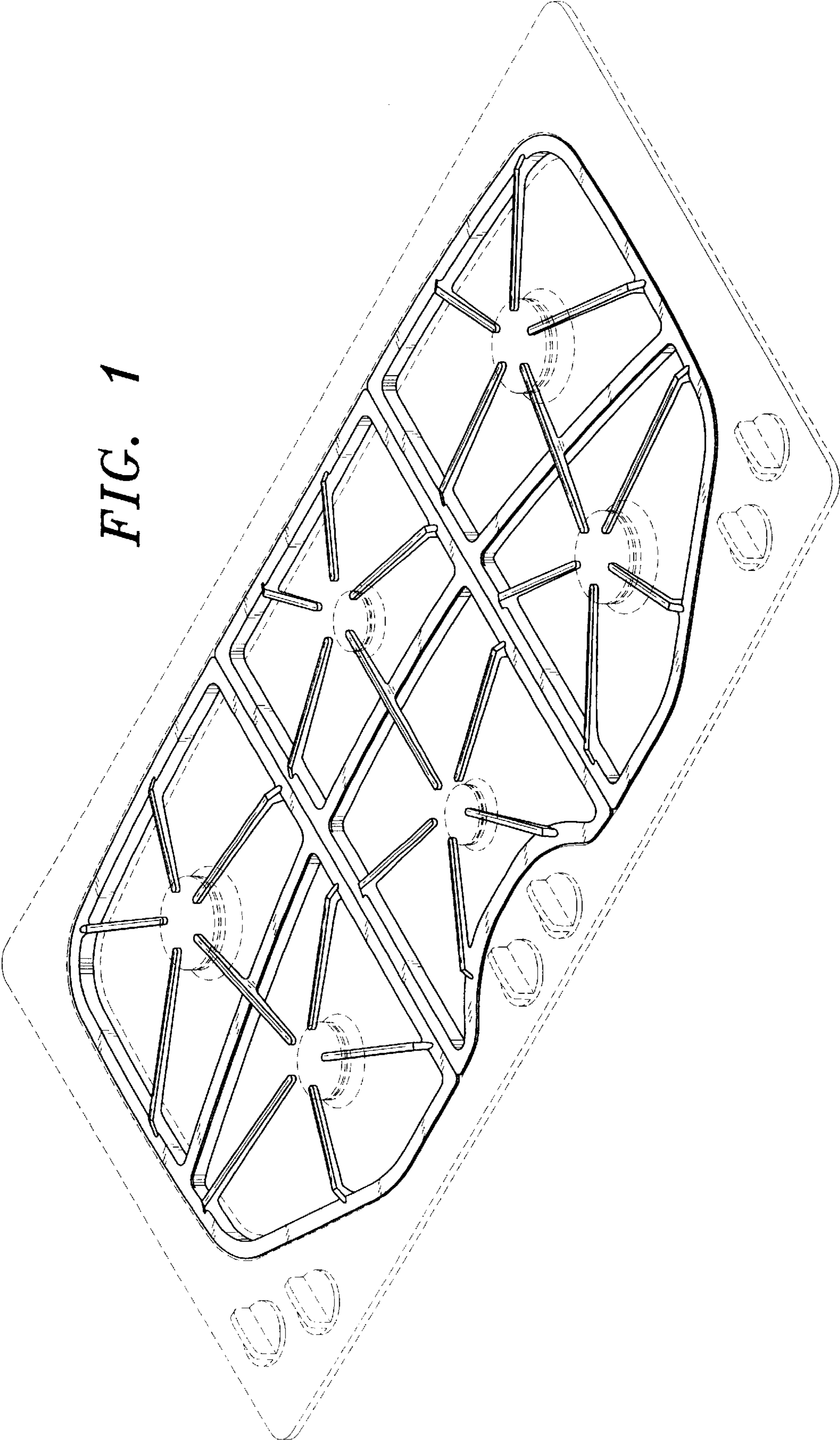


FIG. 7

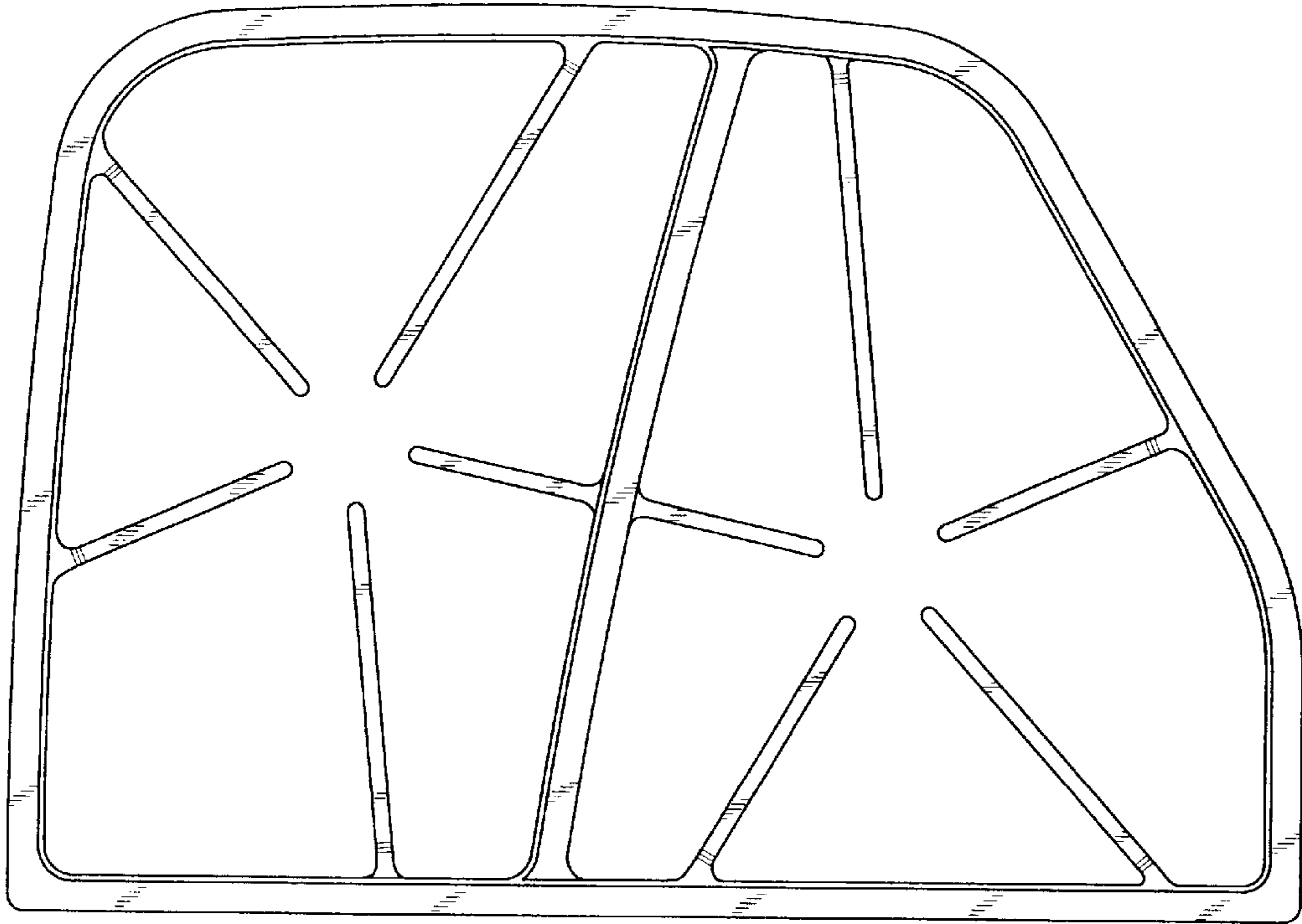


FIG. 2

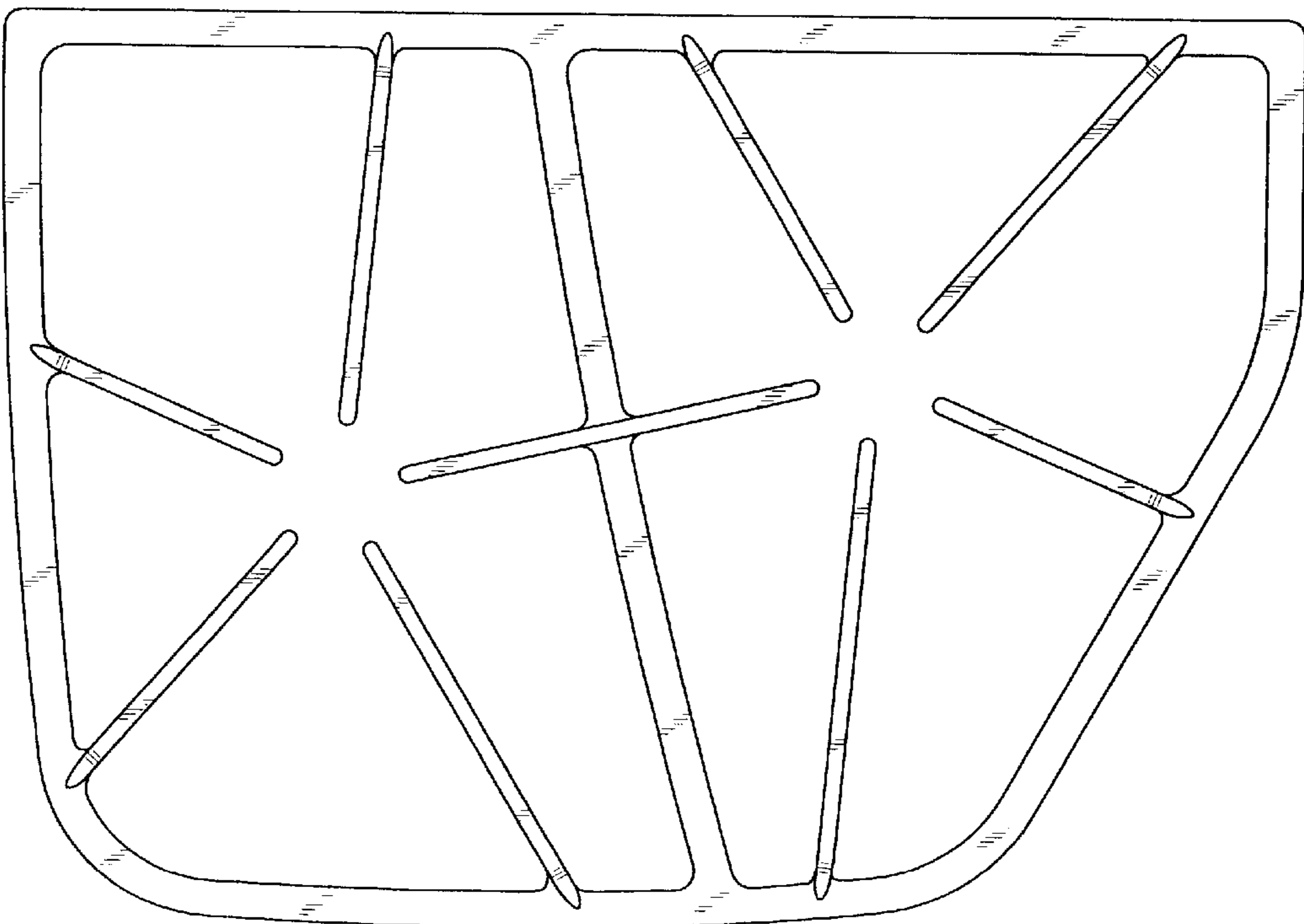


FIG. 3



FIG. 4



FIG. 5



FIG. 6

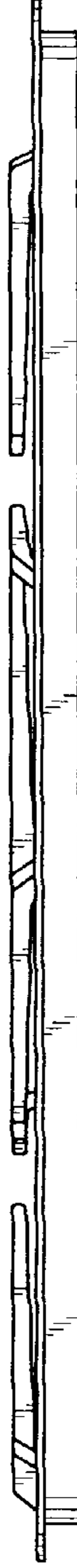


FIG. 12

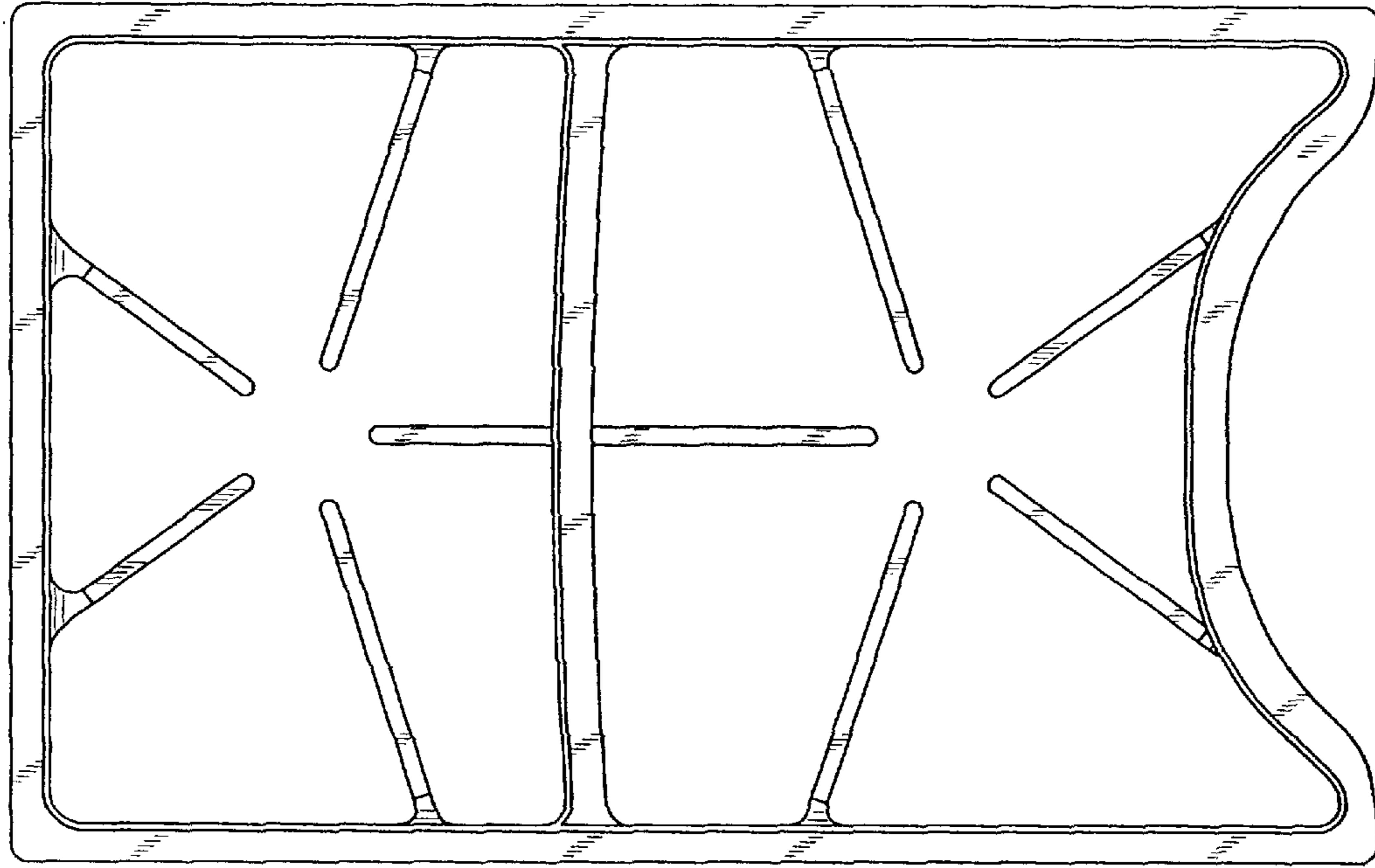


FIG. 8

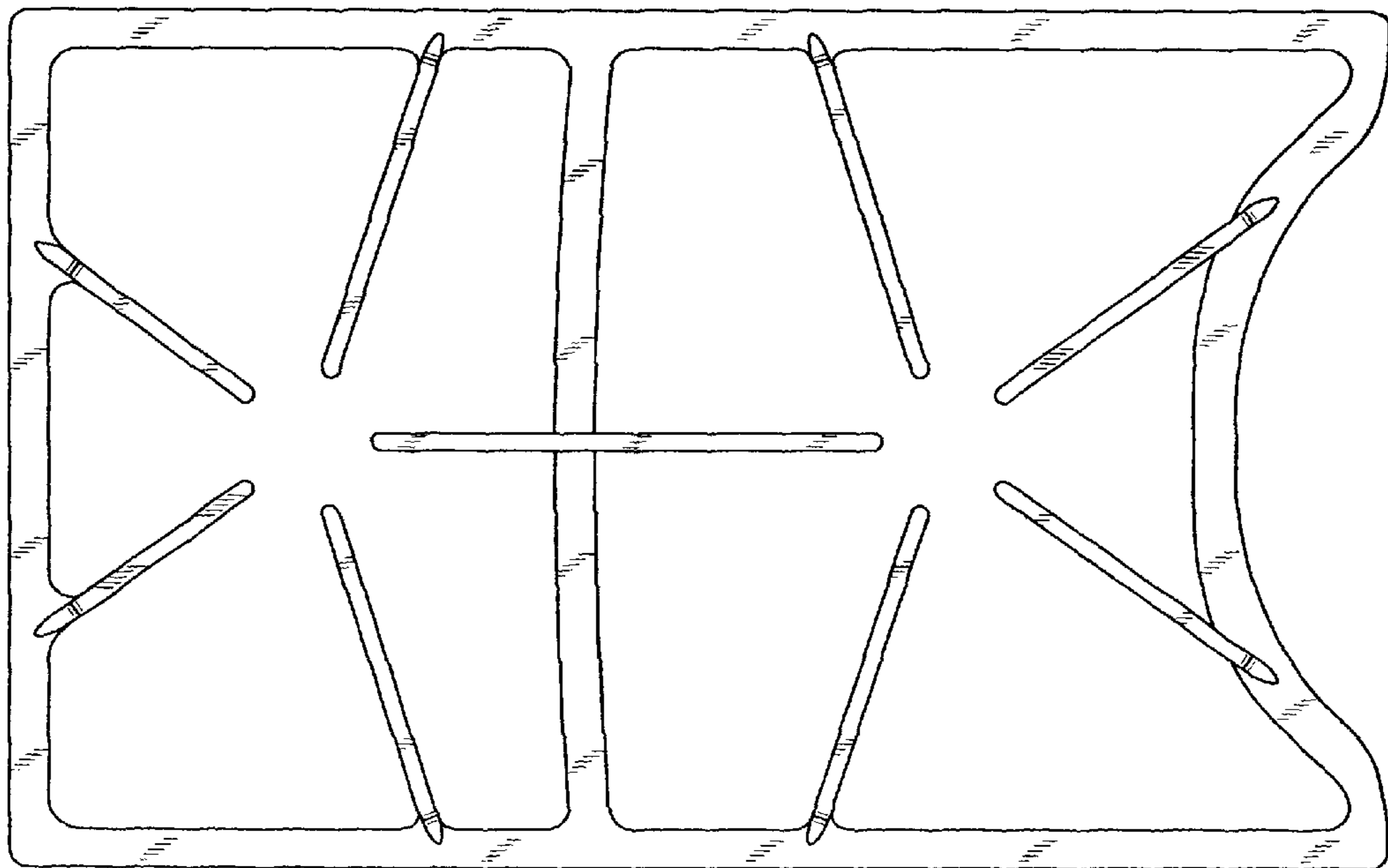


FIG. 9



FIG. 10



FIG. 11

