



US00D492542S1

(12) **United States Design Patent**
Pitteurs

(10) **Patent No.: US D492,542 S**

(45) **Date of Patent: ** Jul. 6, 2004**

- (54) **SUPPORT FOR WAFFLE IRON**
- (75) **Inventor: Benny M. L. Pitteurs, Denderhoutem (BE)**
- (73) **Assignee: H.V.D. Besloten Vennootschap met Beperkte Aansprakelijkheid, Brussels (BE)**
- (**) **Term: 14 Years**

4,253,424 A	*	3/1981	Williams	119/61
4,531,048 A	*	7/1985	Carbon	219/525
D308,317 S	*	6/1990	Koziol	D7/409
D371,228 S	*	6/1996	Monin	D30/121
5,572,924 A	*	11/1996	Crnjanski	99/426
5,636,564 A	*	6/1997	Weiss	99/332
D412,642 S	*	8/1999	King	D7/409
5,937,742 A	*	8/1999	Steeb et al.	99/375
6,044,755 A	*	4/2000	Misceo	D7/332
D456,671 S	*	5/2002	Pai	D7/403
D465,965 S	*	11/2002	Dalton et al.	D7/352

- (21) **Appl. No.: 29/192,387**
- (22) **Filed: Oct. 24, 2003**
- (30) **Foreign Application Priority Data**
Apr. 25, 2003 (EP) 000023528
- (51) **LOC (7) Cl. 07-99**
- (52) **U.S. Cl. D7/388; D7/410; D7/409**
- (58) **Field of Search D7/352, 409, 410, D7/403, 387, 388; 248/250, 346.1; 108/156; 219/732, 521, 525, 536; D30/121; 119/61; 99/342, 377, 374, 332, 331, 337; 294/7**

* cited by examiner

Primary Examiner—M. N. Pandozzi
(74) *Attorney, Agent, or Firm*—Bacon & Thomas, PLLC

(57) **CLAIM**

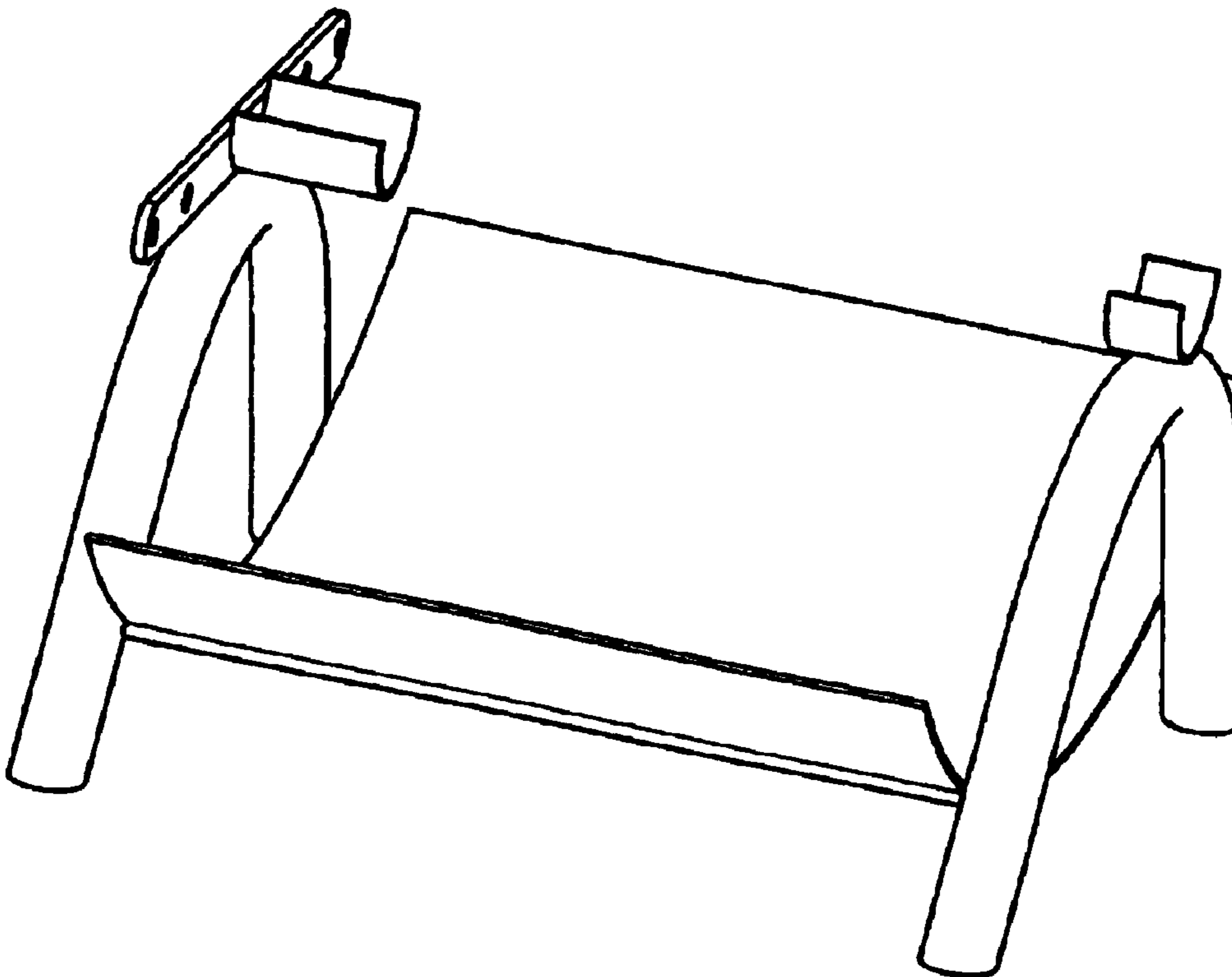
The ornamental design for a support for waffle iron, as shown.

DESCRIPTION

FIG. 1 is a right side elevational view thereof;
FIG. 2 is a right side elevational view thereof;
FIG. 3 is a left side elevational view thereof;
FIG. 4 is a bottom plan view thereof;
FIG. 5 is a top plan view thereof;
FIG. 6 is a front elevational view thereof; and,
FIG. 7 is a rear elevational view thereof.

- (56) **References Cited**
U.S. PATENT DOCUMENTS
2,014,001 A * 9/1935 Knapp et al. 219/536
2,116,688 A * 5/1938 Ratliff 99/374
D195,687 S * 7/1963 Petroff D7/409

1 Claim, 2 Drawing Sheets



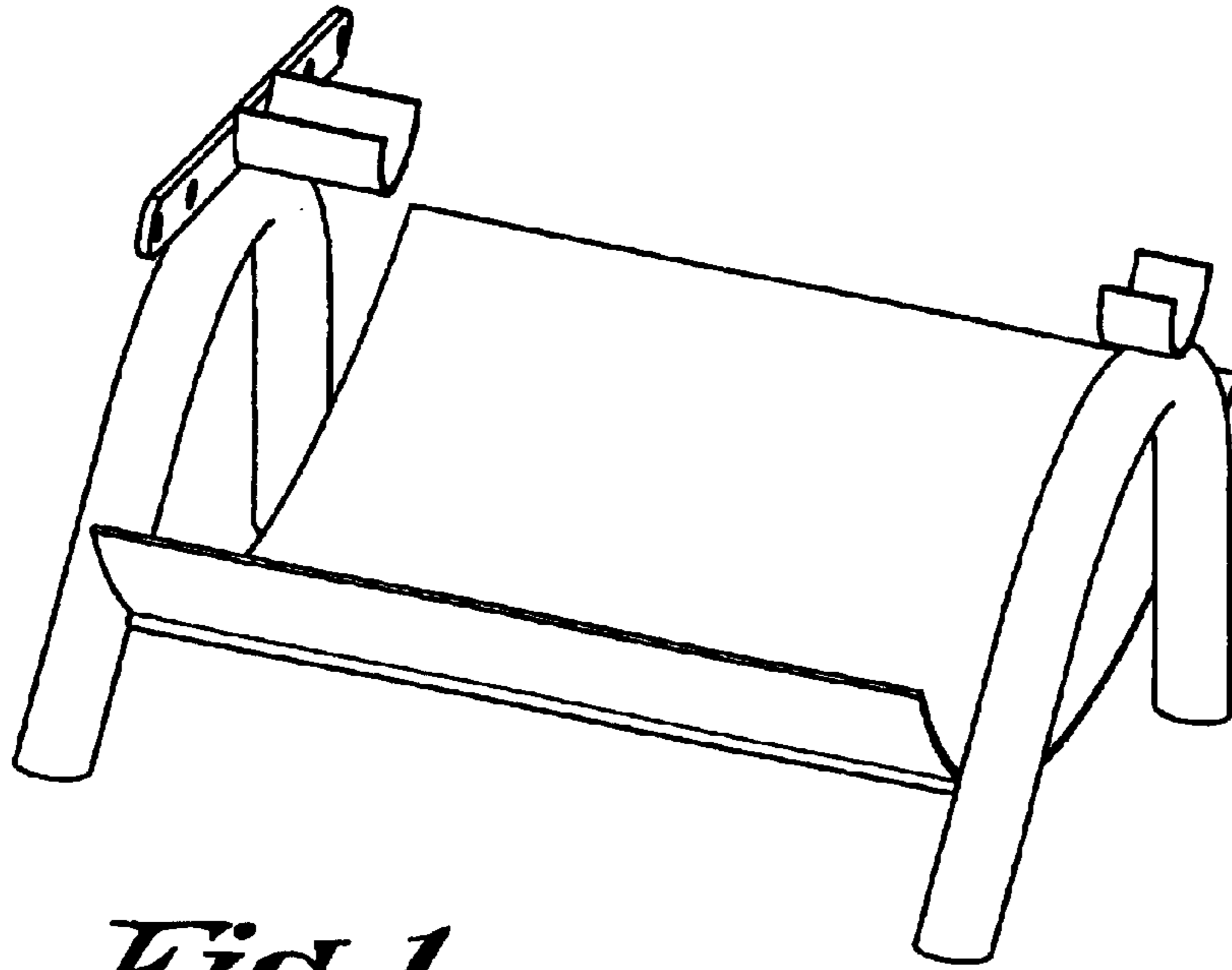


Fig. 1

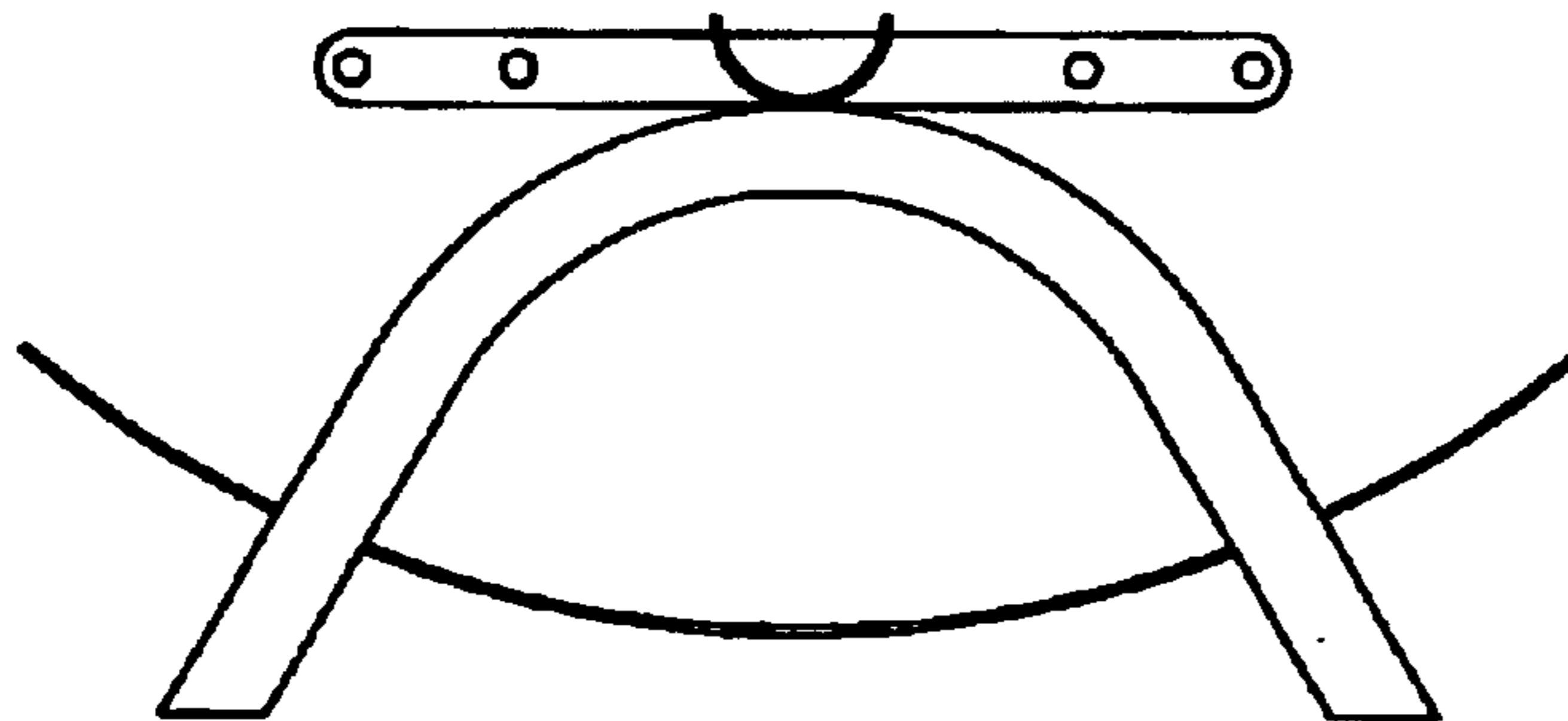


Fig. 2

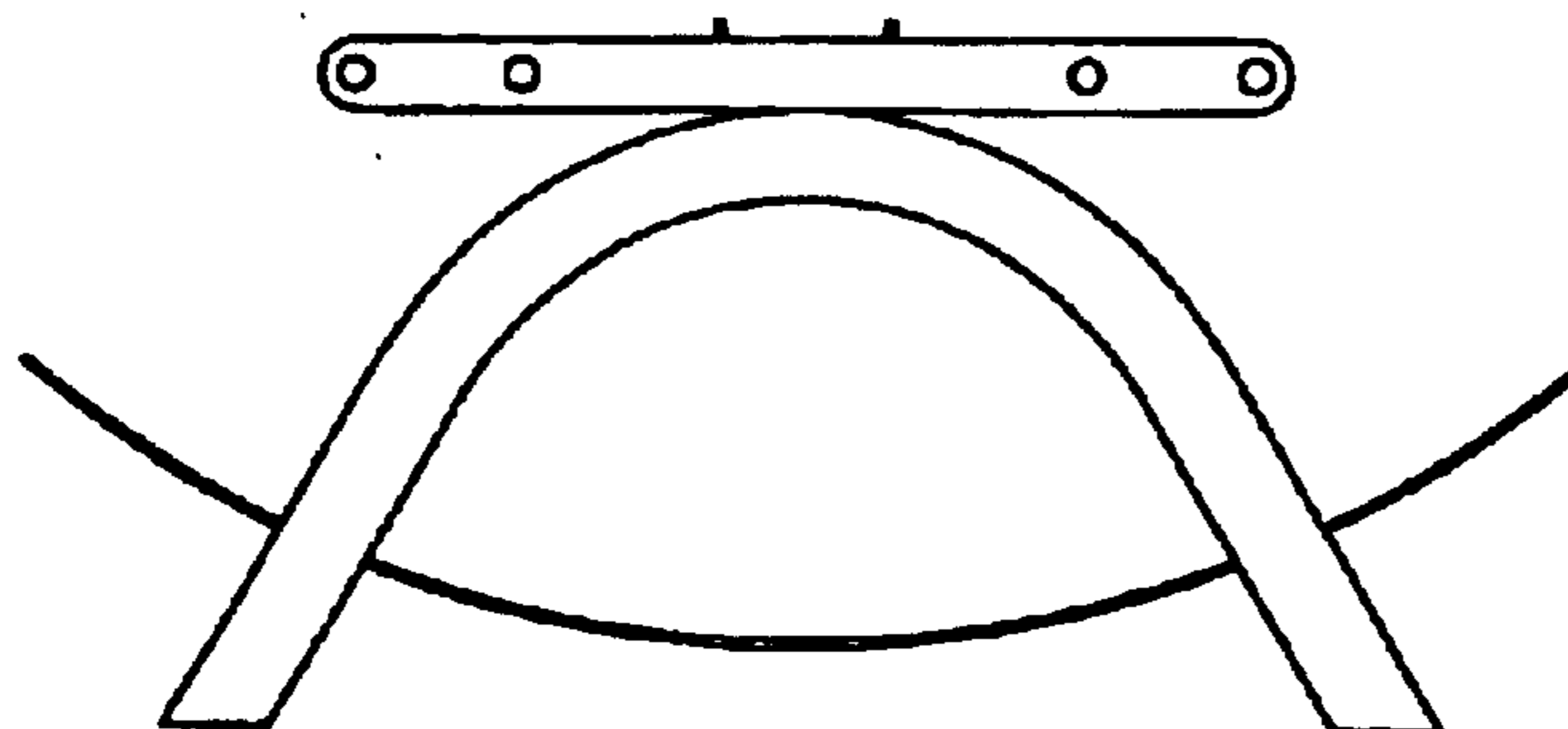


Fig. 3

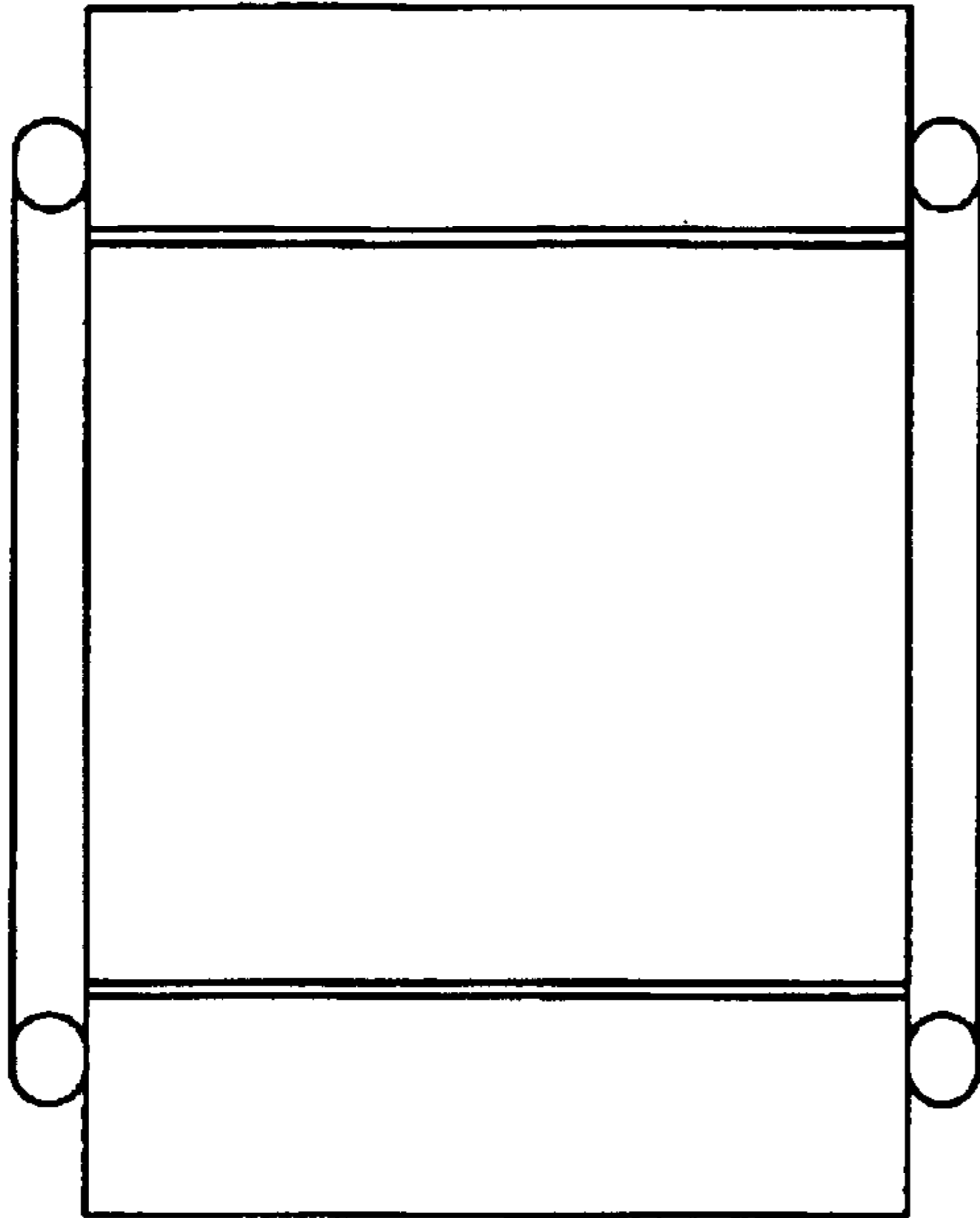


Fig. 4

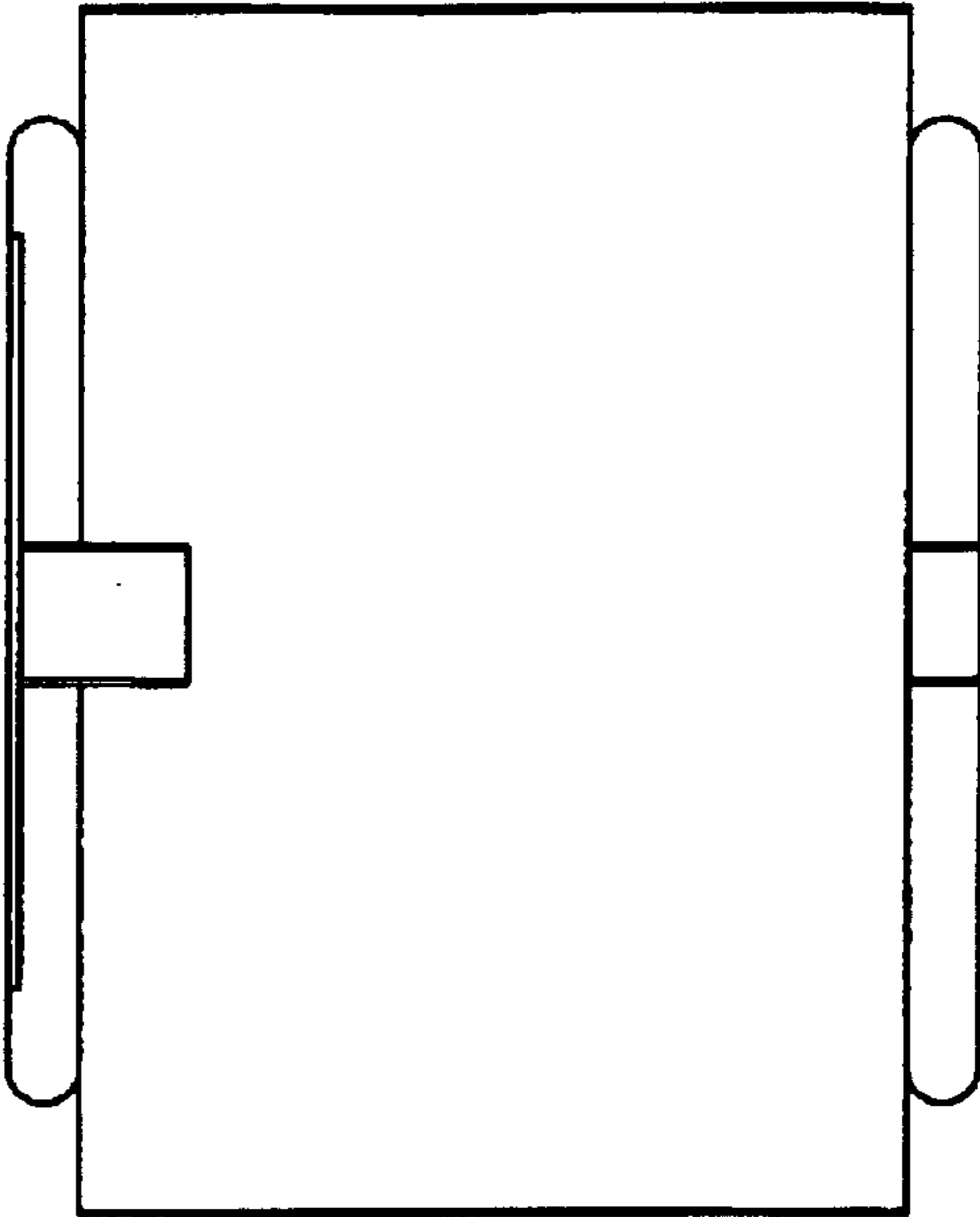


Fig. 5

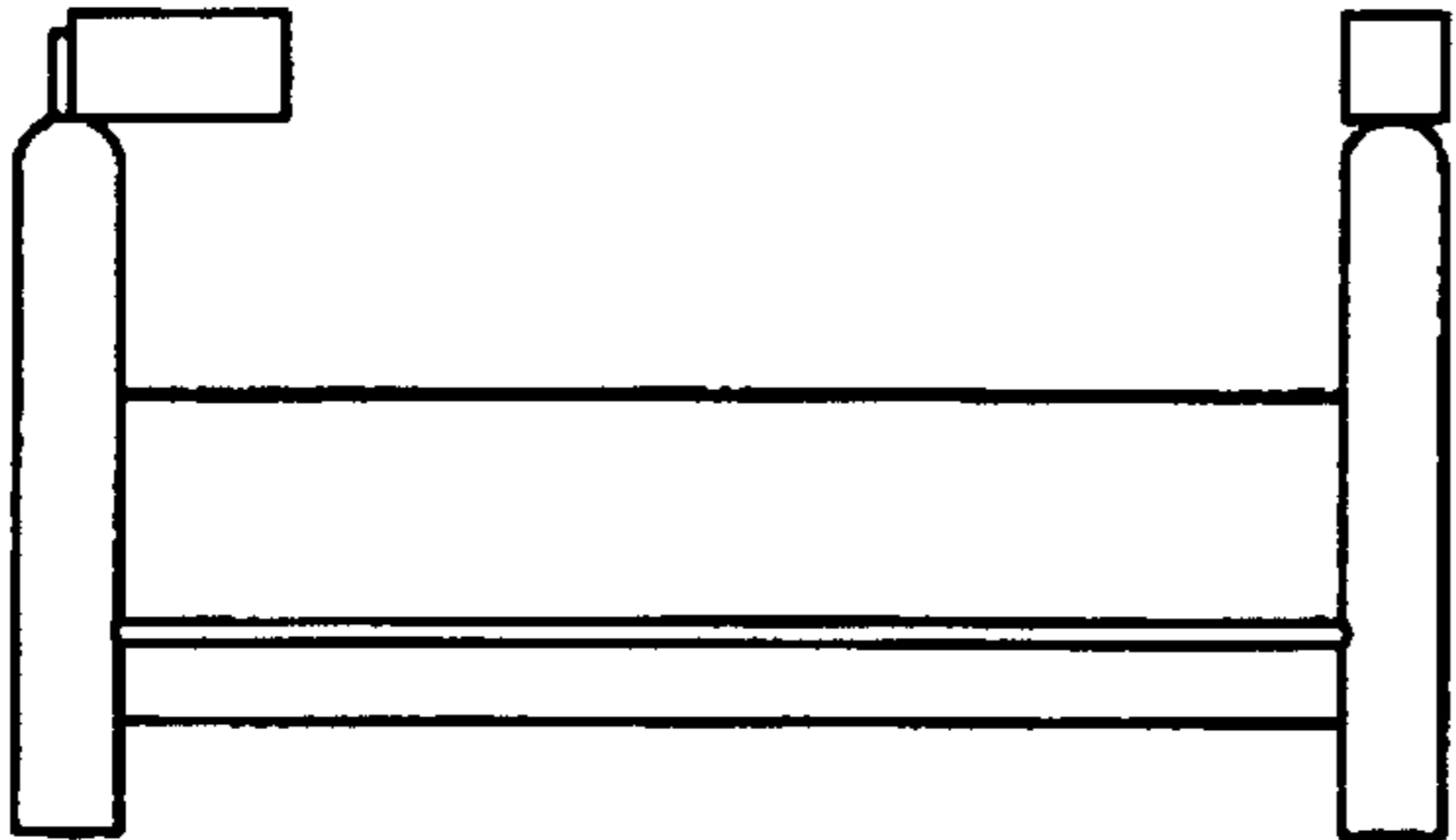


Fig. 6

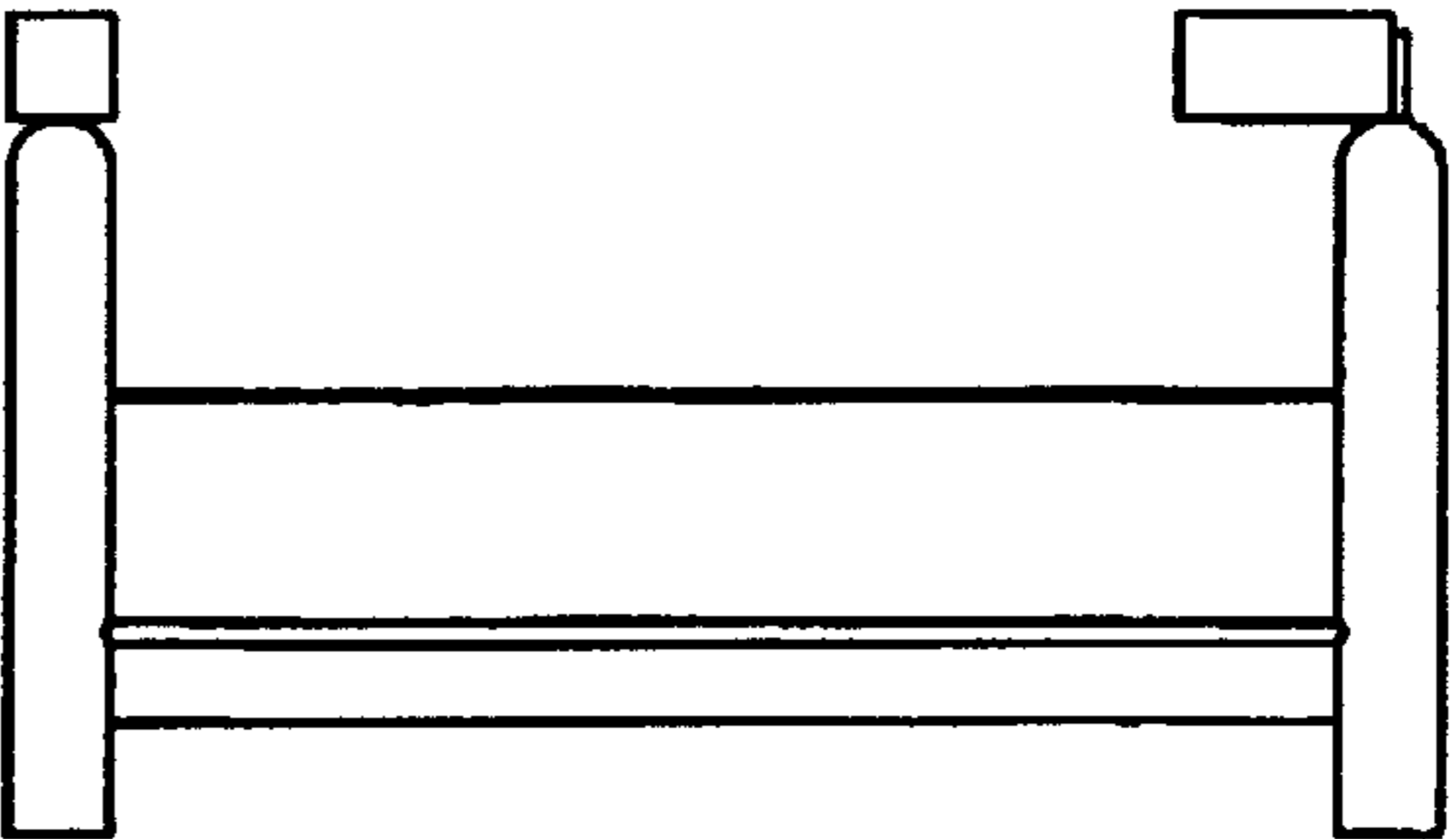


Fig. 7