

US00D492538S1

(12) **United States Design Patent**
Cheng

(10) **Patent No.:** **US D492,538 S**

(45) **Date of Patent:** **** Jul. 6, 2004**

(54) **BREAKFAST GRIDDLE**

(75) **Inventor:** **Stanley Kin Sui Cheng, Vallejo, CA (US)**

(73) **Assignee:** **Meyer Intellectual Properties, Limited (VG)**

(**) **Term:** **14 Years**

(21) **Appl. No.:** **29/189,320**

(22) **Filed:** **Sep. 2, 2003**

(51) **LOC (7) Cl.** **07-02**

(52) **U.S. Cl.** **D7/357; D7/361**

(58) **Field of Search** **D7/500, 323, 354-361, D7/672; D9/429; 99/324, 425, 426-442, 339; 249/117, 122, 127, 155, 156, 160, DIG. 1, 119; D21/472; 220/573.1-573.5, 23.8**

(56) **References Cited**

U.S. PATENT DOCUMENTS

| | | | | |
|-------------|---|---------|----------|----------|
| 108,835 A | * | 10/1870 | Packard | 99/339 |
| 323,887 A | * | 8/1885 | Rutter | 249/119 |
| 608,144 A | * | 7/1898 | Porter | 220/23.8 |
| 867,086 A | | 9/1907 | Sullivan | 126/173 |
| D55,188 S | * | 5/1920 | Massing | D7/354 |
| 1,505,675 A | * | 8/1924 | Stirn | 99/339 |
| 1,936,551 A | * | 11/1933 | Garrison | 99/339 |

| | | | | |
|--------------|---|---------|----------------|-----------|
| 1,974,796 A | * | 9/1934 | Davis | 99/425 |
| D139,416 S | * | 11/1944 | Ekonomon | D7/361 |
| 2,515,617 A | | 7/1950 | Tilford | 126/390.1 |
| D222,730 S | * | 12/1971 | Aries | D7/357 |
| D227,730 S | * | 7/1973 | Shull et al. | D7/357 |
| 3,780,978 A | | 12/1973 | Proul | 249/135 |
| 4,462,388 A | | 7/1984 | Bohl et al. | 126/390 |
| D275,440 S | | 9/1984 | Matsuhisa | D7/357 |
| D297,604 S | * | 9/1988 | Hagberg et al. | D7/359 |
| 5,131,120 A | | 7/1992 | Akashi | 99/422 |
| 5,481,963 A | | 1/1996 | Sesona et al. | 99/335 |
| D380,347 S | | 7/1997 | Norton | D7/409 |
| D383,354 S | | 9/1997 | Nassar | D7/357 |
| 5,967,022 A | | 10/1999 | Moschella | 99/339 |
| 6,386,092 B1 | | 5/2002 | Grohs | 99/339 |
| D470,711 S | * | 2/2003 | Kloppsteck | D7/359 |

* cited by examiner

Primary Examiner—Caron D. Veynar

(74) *Attorney, Agent, or Firm*—Edward S. Sherman

(57) **CLAIM**

The ornamental design for a breakfast griddles, as shown and described.

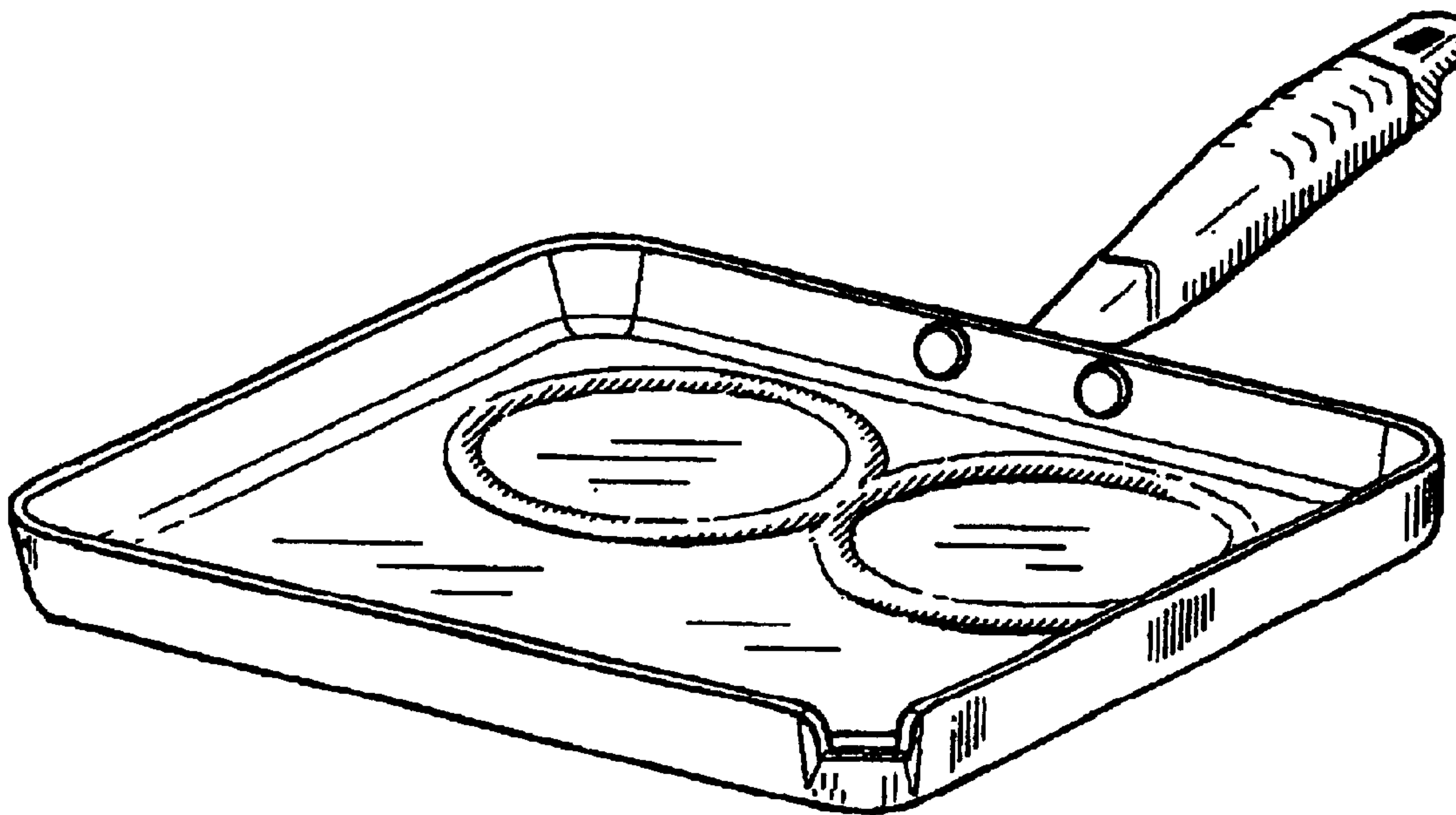
DESCRIPTION

FIG. 1 is a perspective view of a cooking showing my new design;

FIG. 2 is a right side elevational view thereof; and,

FIG. 3 is a top plan view thereof.

1 Claim, 2 Drawing Sheets



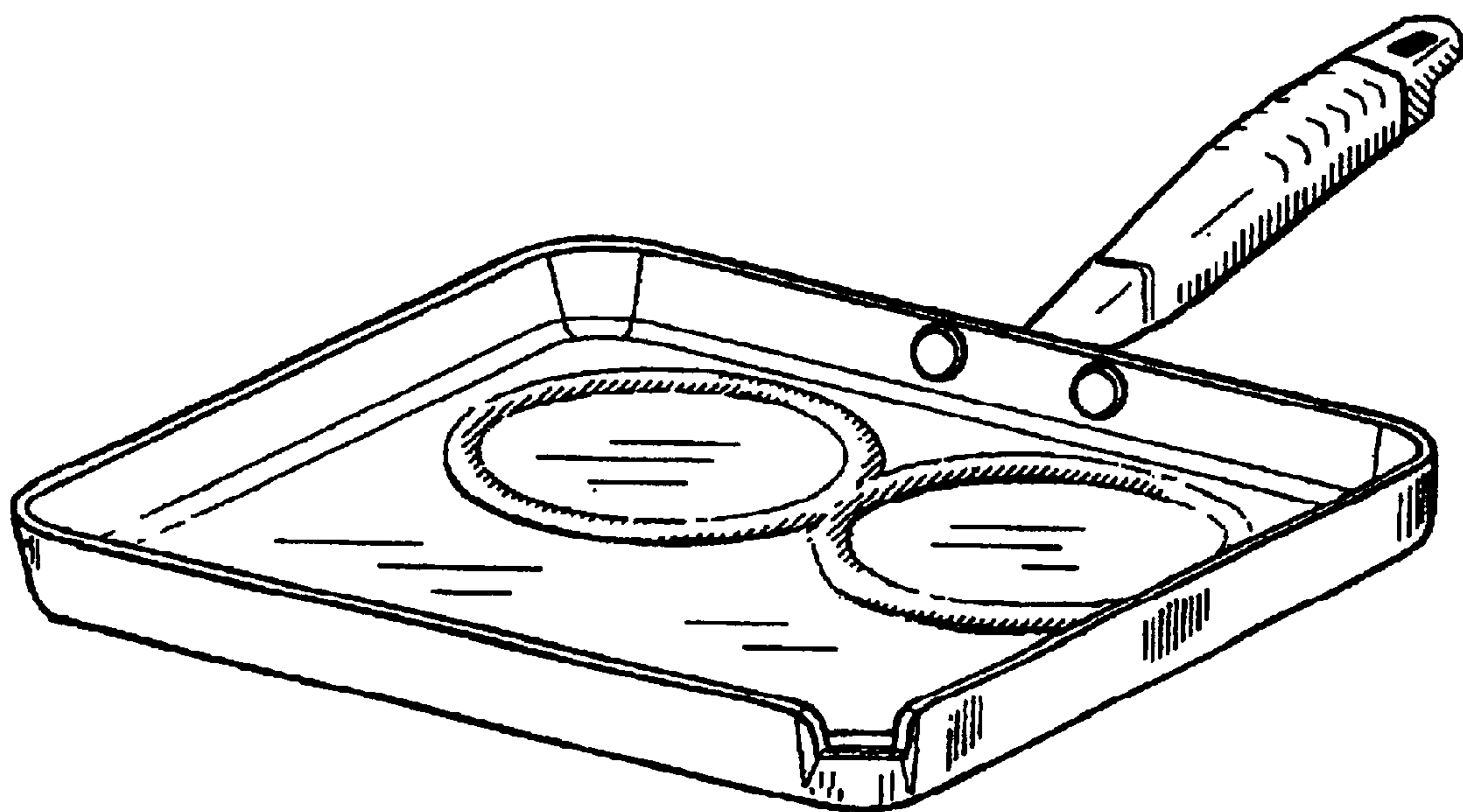


Fig. 1

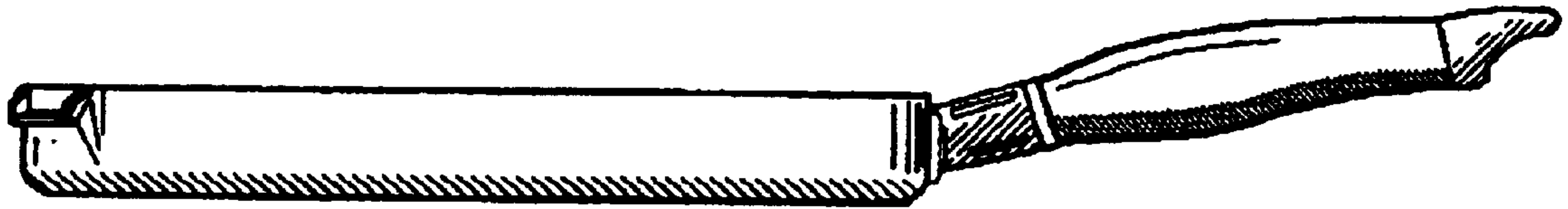


Fig. 2

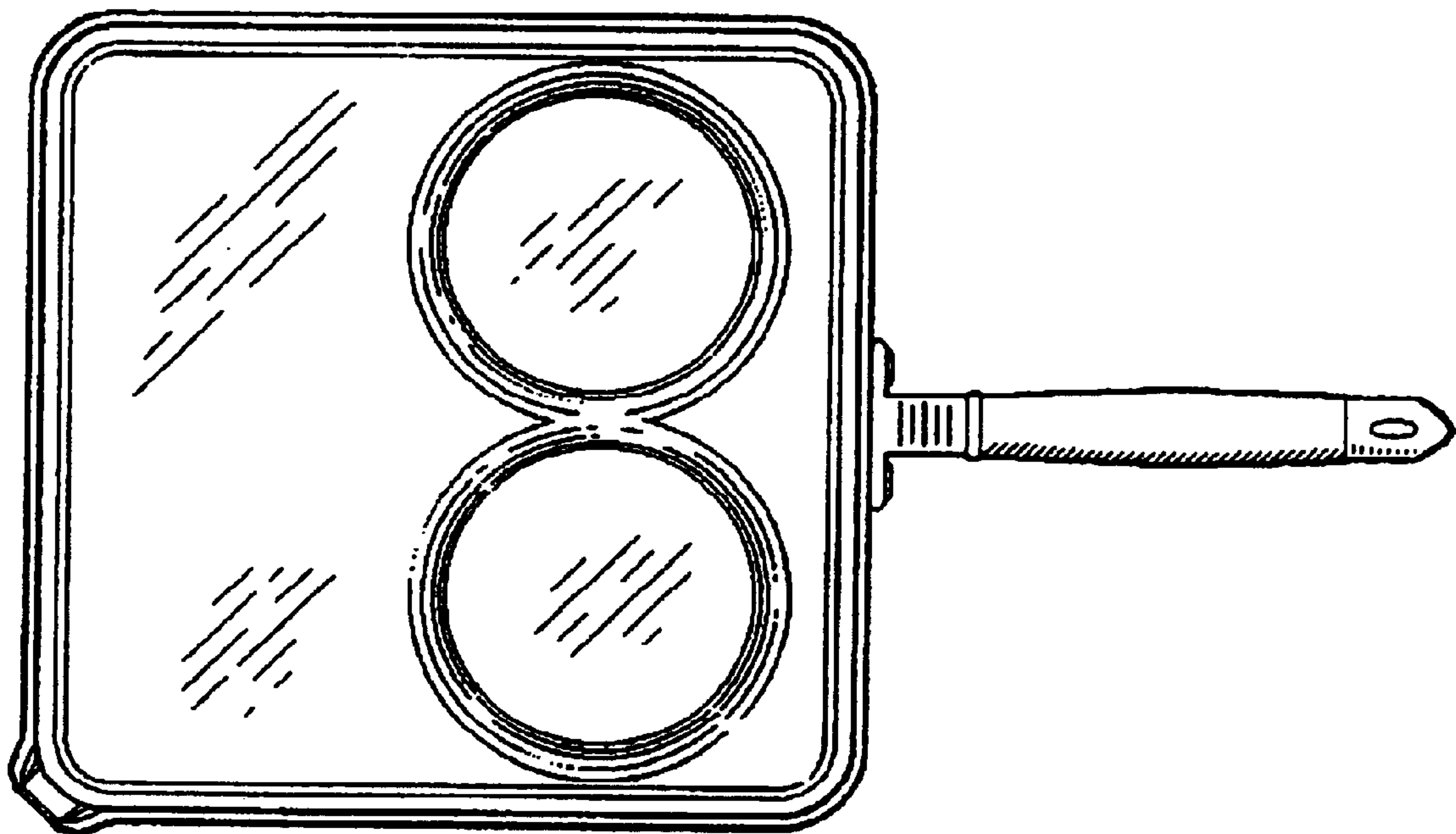


Fig. 3