

US00D492535S1

(12) **United States Design Patent**  
**Hiramatsu**

(10) **Patent No.:** **US D492,535 S**  
(45) **Date of Patent:** **\*\* Jul. 6, 2004**

(54) **RECORDING MEDIUM CONTAINER**

2001/0040108 A1 \* 11/2001 Gelardi

(75) **Inventor:** **Susumu Hiramatsu, Matumoto (JP)**

**FOREIGN PATENT DOCUMENTS**

(73) **Assignee:** **Tenma Corporation, Tokyo (JP)**

GB 2291640 1/1996  
WO WO 97/41563 11/1997

(\*\*) **Term:** **14 Years**

\* cited by examiner

(21) **Appl. No.:** **29/140,411**

*Primary Examiner*—Celia Murphy  
(74) *Attorney, Agent, or Firm*—Westerman, Hattori, Daniels, & Adrian, LLP

(22) **Filed:** **Apr. 19, 2001**

(30) **Foreign Application Priority Data**

(57) **CLAIM**

Oct. 19, 2000 (JP) ..... 2000-029709

The ornamental design for a recording medium container, as shown and described.

(51) **LOC (7) Cl.** ..... **06-04**

**DESCRIPTION**

(52) **U.S. Cl.** ..... **D6/632; D6/407; D6/635**

(58) **Field of Search** ..... D3/201, 218, 272, D3/273, 276, 905; D6/407, 626-635; D9/337, 445, 454; D19/26, 27, 32, 65, 75-77, 81; D28/77; 206/232, 307.1, 308.1, 308.2, 308.3, 309-310, 311, 312, 313, 387.11, 387.13, 387.15; 312/9.57, 902, 9.9, 9.48, 9.55, 9.64, 9.47, 9.53, 328; 379/355

FIG. 1 is a front elevational view of a recording medium container showing my new design;

FIG. 2 is a rear elevational view thereof;

FIG. 3 is a left side elevational view thereof;

FIG. 4 is a right side elevational view thereof;

FIG. 5 is a top plan view thereof, the bottom plan view being a mirror image;

FIG. 6 is a cross-sectional view taken on line 6-6 of FIG. 1;

FIG. 7 is a cross-sectional view taken on line 7-7 of FIG. 1;

FIG. 8 is a reduced front elevational view thereof, the lid being in an open position;

FIG. 9 is an enlarged fragmentary view of the central hub feature;

FIG. 10 is a cross-sectional view taken on line 10-10 of FIG. 9;

FIG. 11 is a cross-sectional view taken on line 11-11 of FIG. 9;

FIG. 12 is a front elevational view of an alternate embodiment of the design shown in FIG. 1;

FIG. 13 is a bottom plan view of FIG. 12;

FIG. 14 is a left side elevational view of FIG. 12;

FIG. 15 is a right side elevational view of FIG. 12;

FIG. 16 is a top plan view of FIG. 12, the bottom plan view being a mirror image;

FIG. 17 is a reduced front elevational view of FIG. 12, shown in an open position; and,

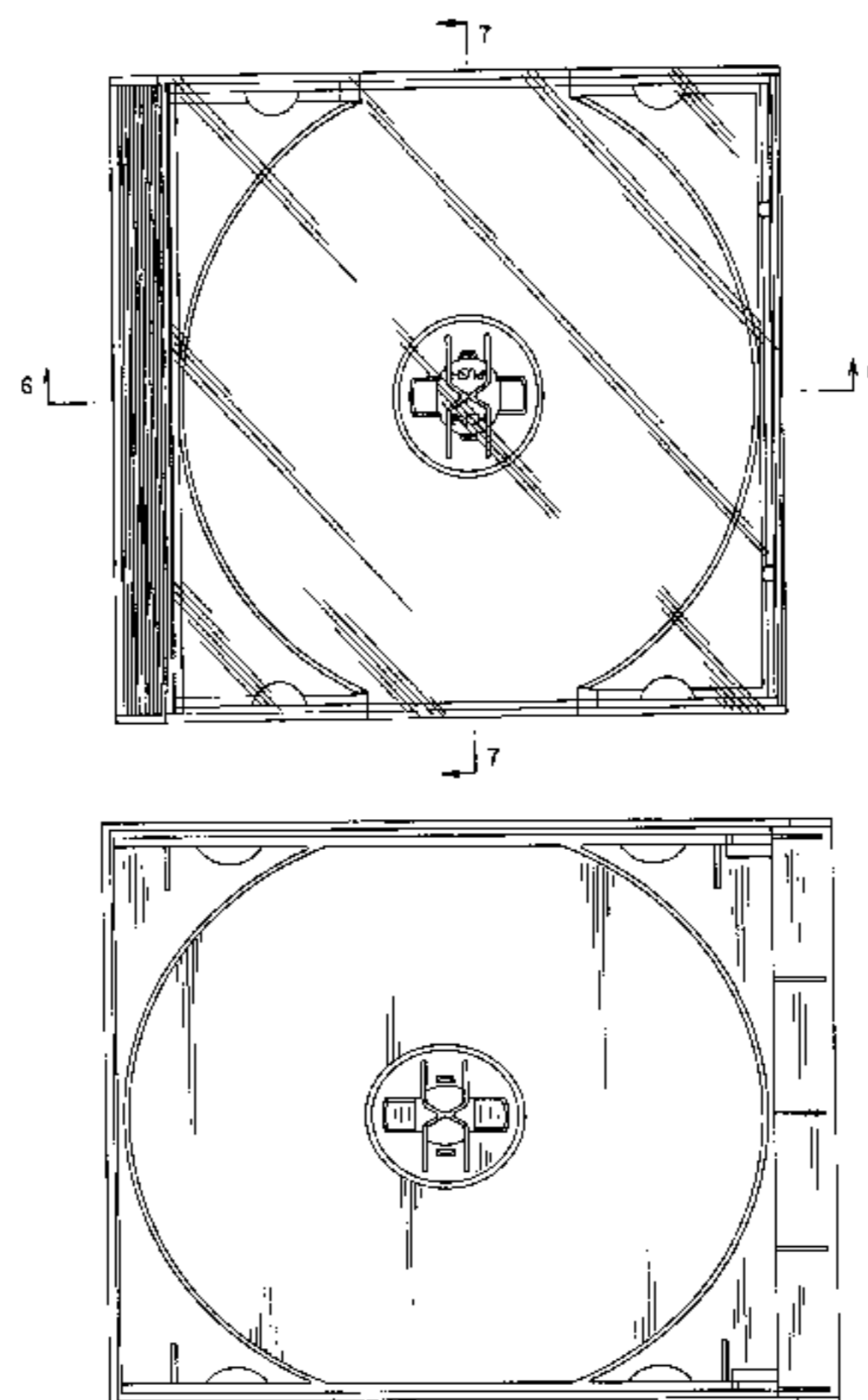
FIG. 18 is a perspective view of FIG. 12.

(56) **References Cited**

**U.S. PATENT DOCUMENTS**

5,251,750	A	10/1993	Gelardi et al.	
5,526,926	A	6/1996	Deja	
5,651,458	A *	7/1997	Brosmith et al.	206/308.1
5,727,680	A *	3/1998	Liu	206/308.1
5,788,068	A *	8/1998	Fraser et al.	206/310
5,829,582	A *	11/1998	Ippolito et al.	206/308.1
5,950,822	A *	9/1999	Cloran et al.	206/310
5,960,949	A *	10/1999	Wynalda, Jr.	206/307.1
5,988,375	A *	11/1999	Chang	206/308.1
D420,240	S *	2/2000	Sorenson et al.	D6/632
D421,057	S *	2/2000	Hummell et al.	D19/65
6,085,900	A *	7/2000	Wong	206/308.1
6,123,192	A *	9/2000	Rufo, Jr.	206/310
6,170,656	B1 *	1/2001	Cerda-Vilaplana et al.	206/308.1
D439,435	S *	3/2001	Belden, Jr. et al.	D6/407
6,250,461	B1 *	6/2001	Hu	206/310
6,311,835	B1 *	11/2001	Okuhara et al.	206/308.1
D452,793	S *	1/2002	Lee	D6/632
D453,081	S *	1/2002	Yu	D6/407
6,334,268	B1 *	1/2002	Ikebe et al.	36/310
2001/0021167	A1 *	11/2001	Kutaragi et al.	

**1 Claim, 14 Drawing Sheets**



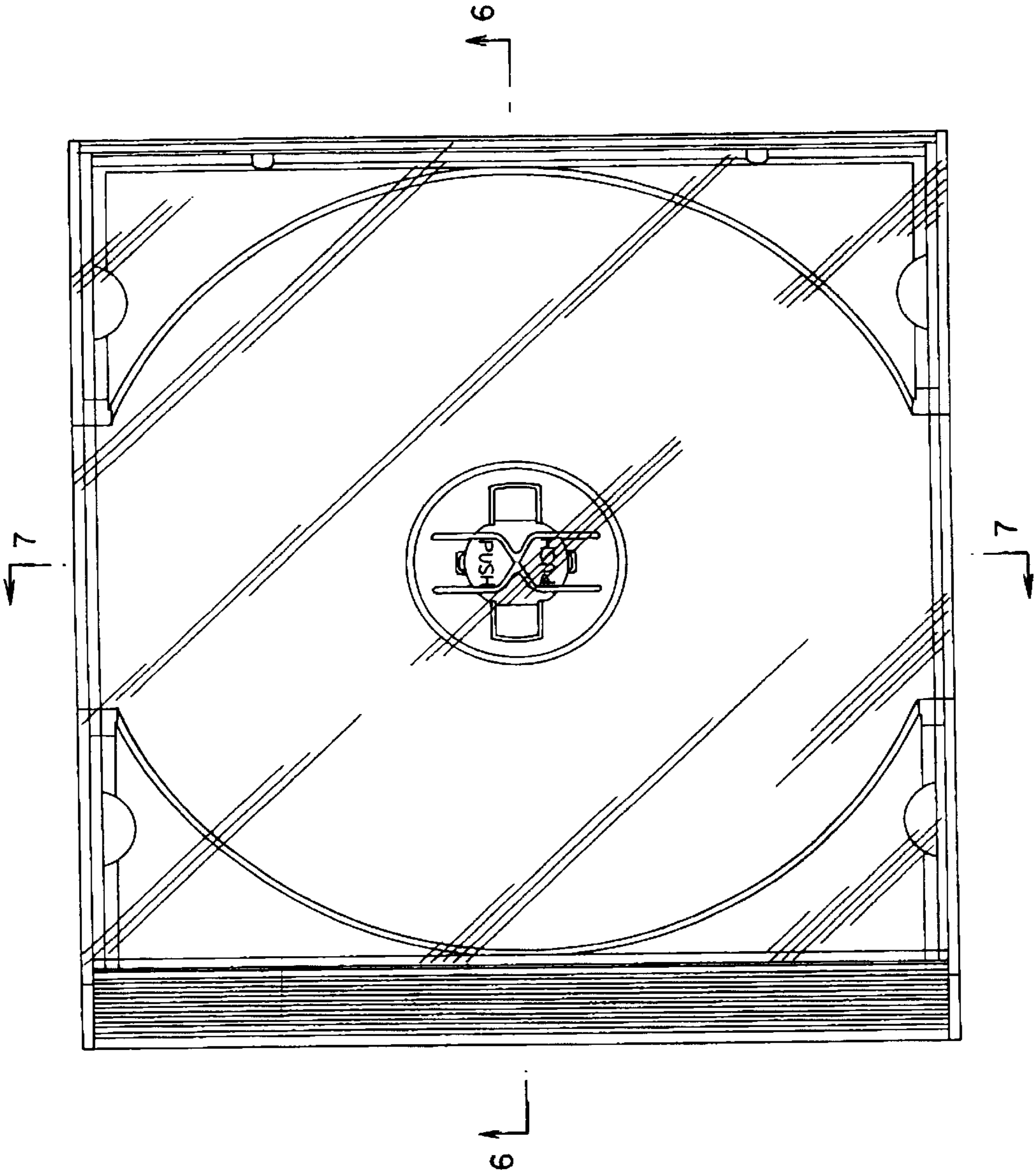


Fig.1

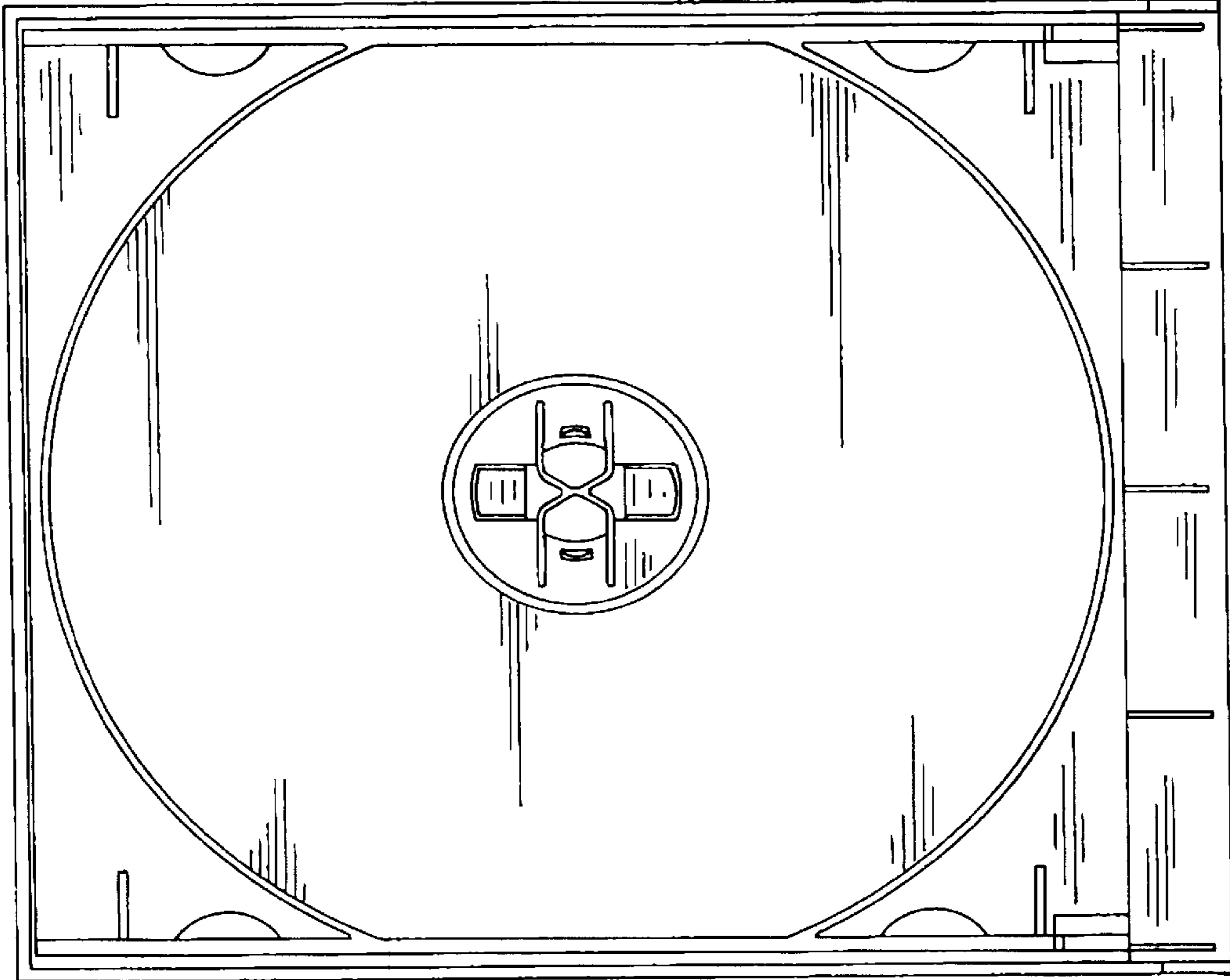


Fig. 2

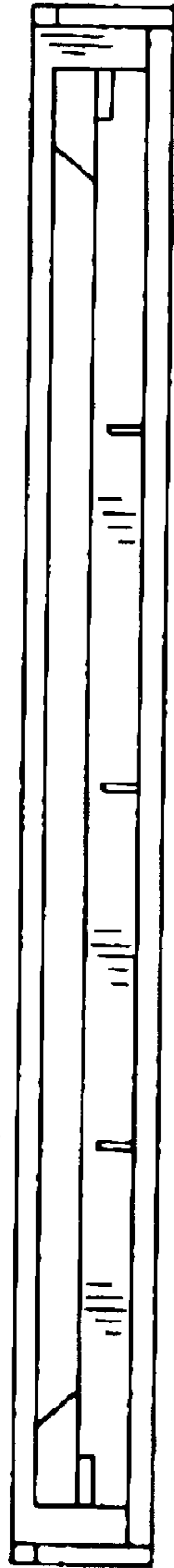


Fig. 3



Fig. 4



Fig. 5

Fig. 6

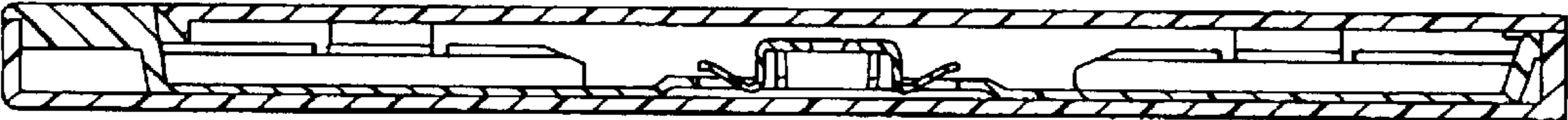


Fig. 7

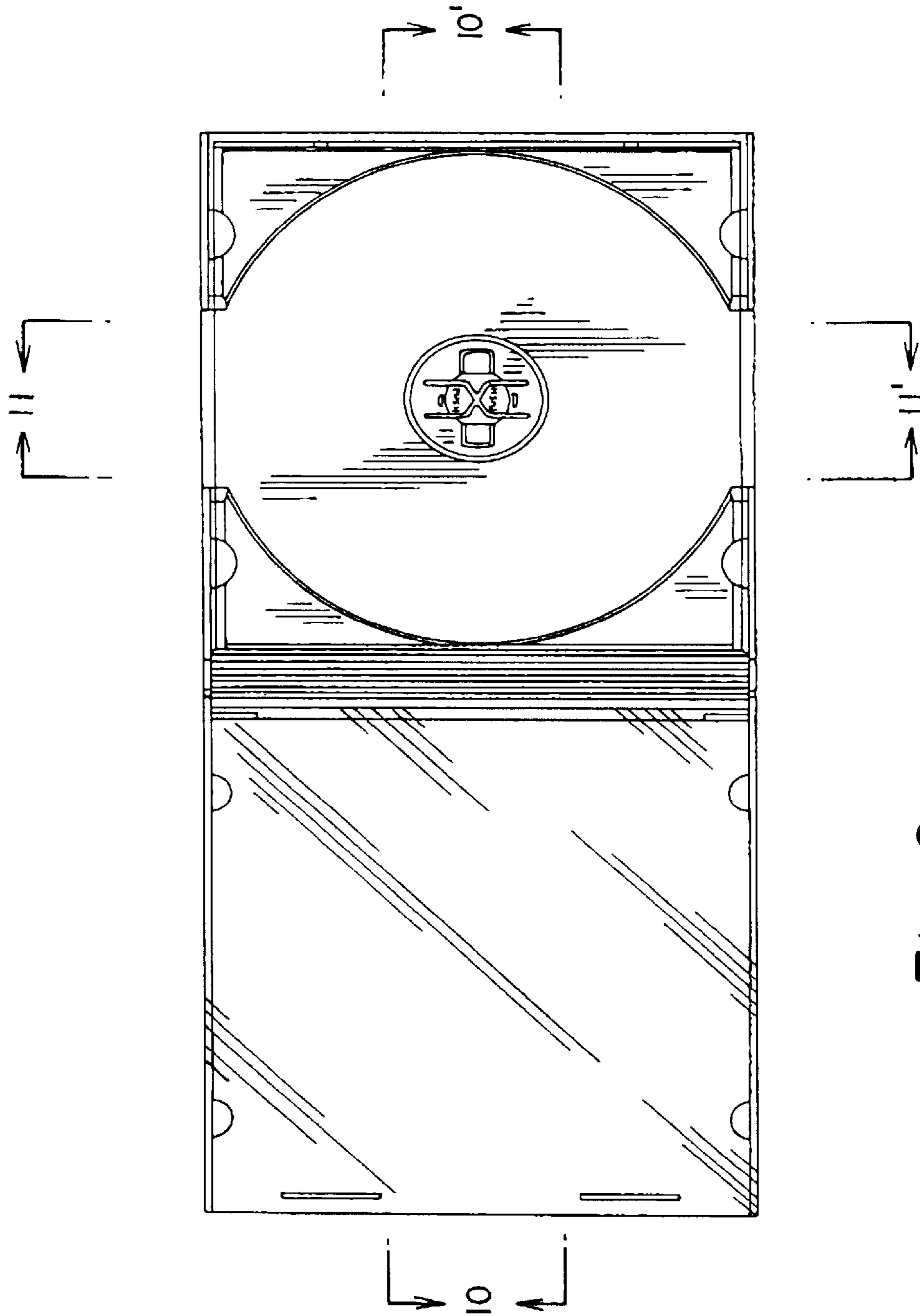


Fig. 8

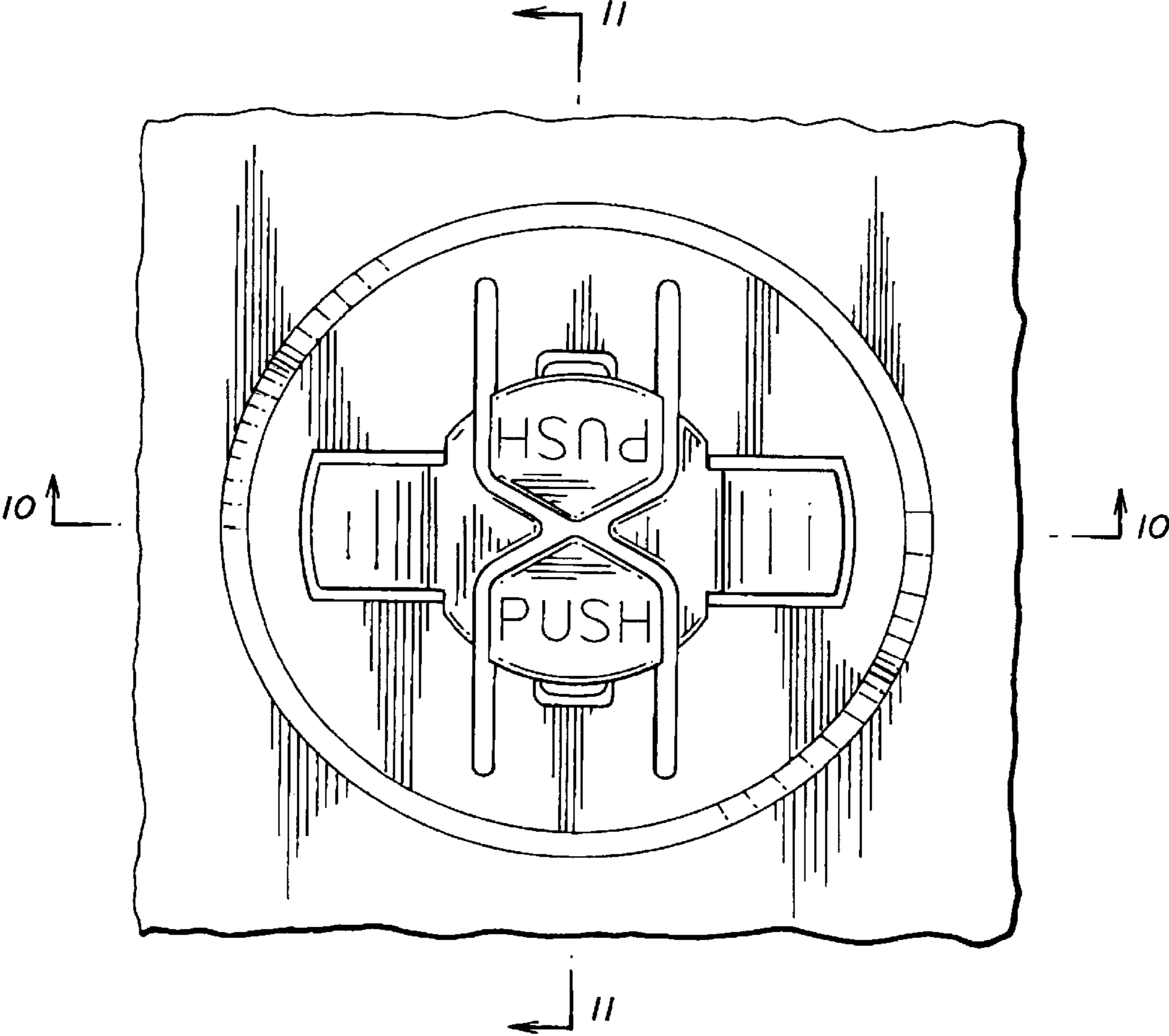


Fig. 9



Fig. 10

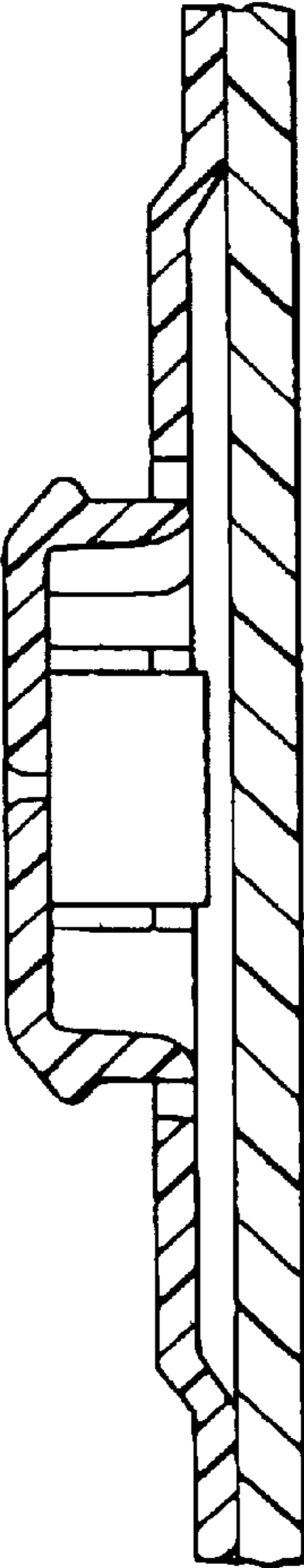
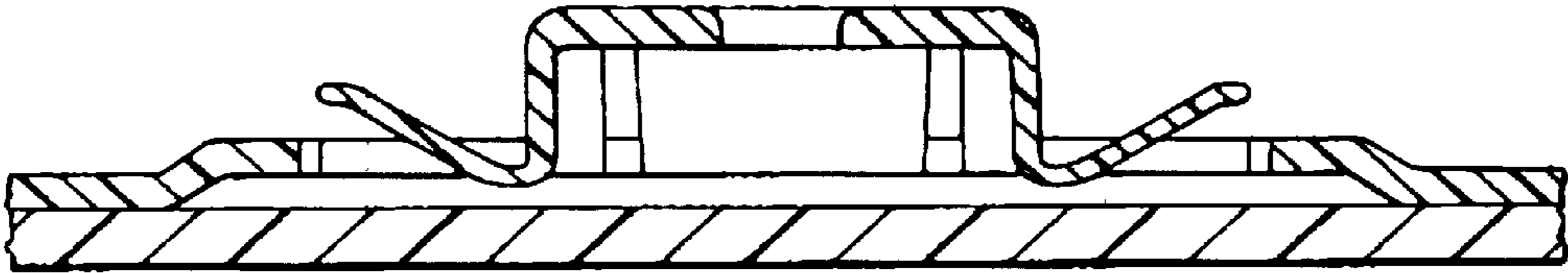


Fig. 11

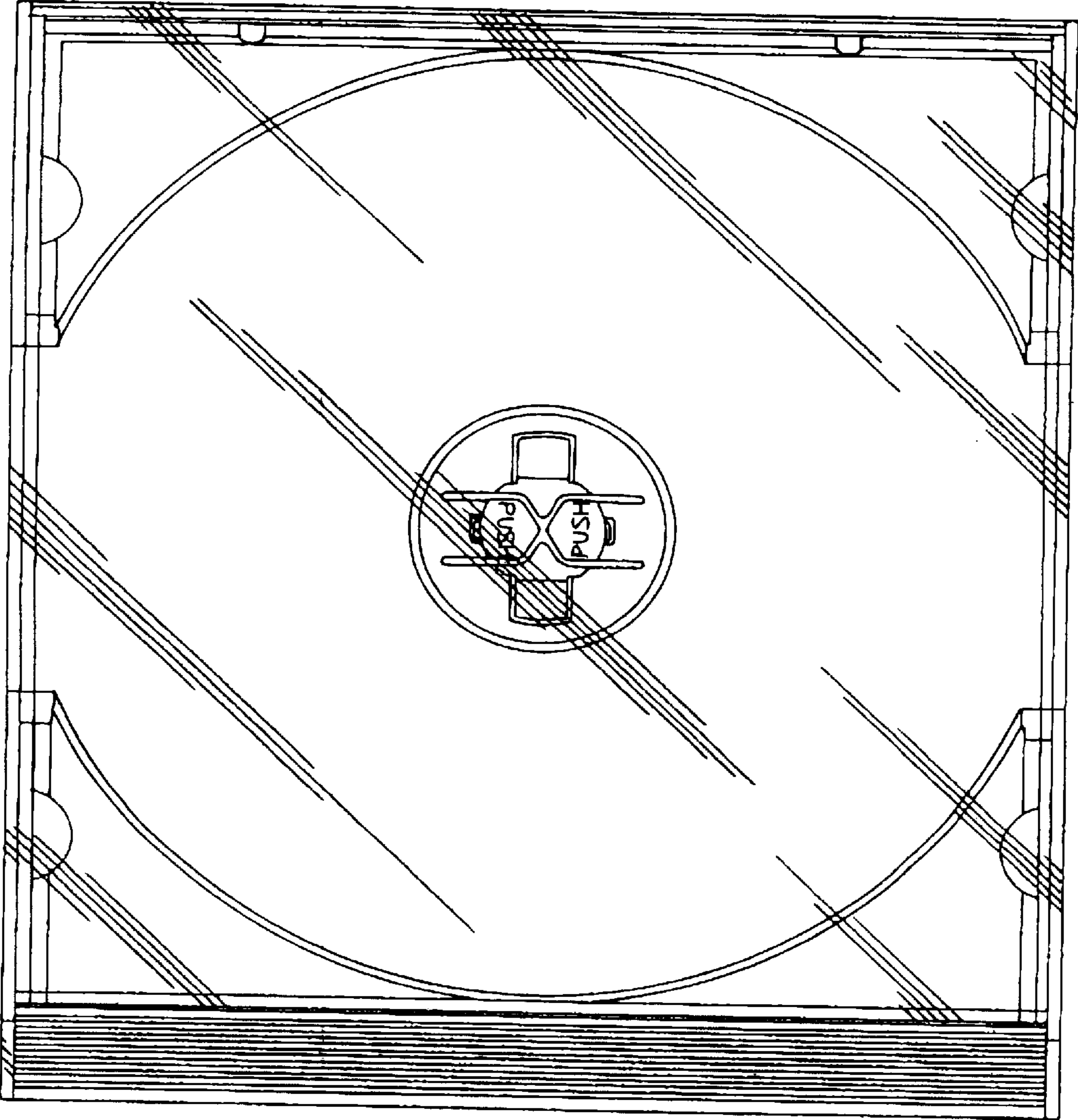


Fig. 12

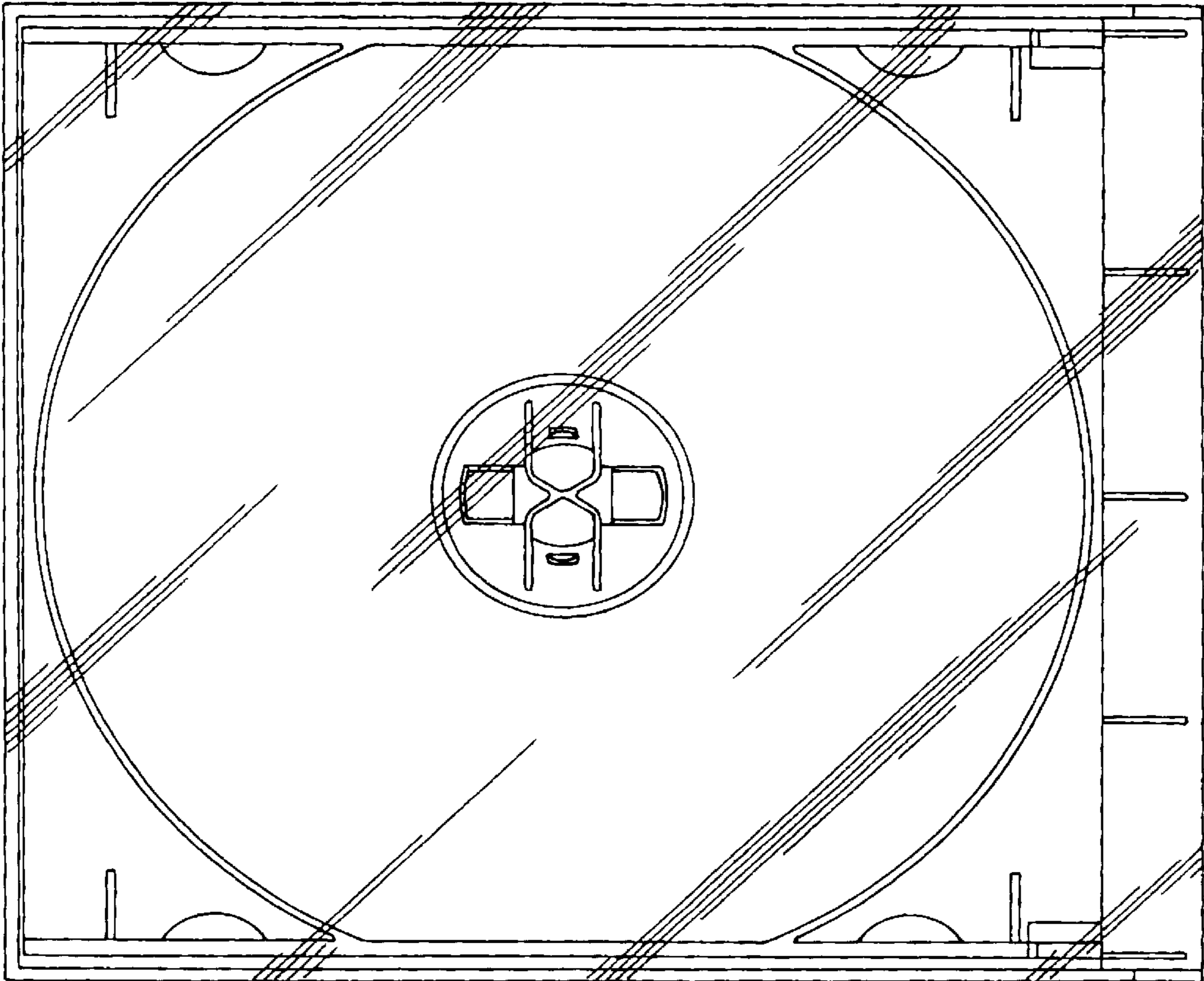


Fig. 13



Fig. 14

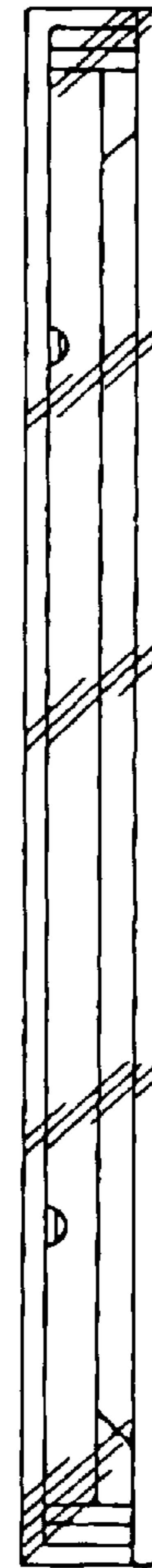


Fig. 15



Fig. 16

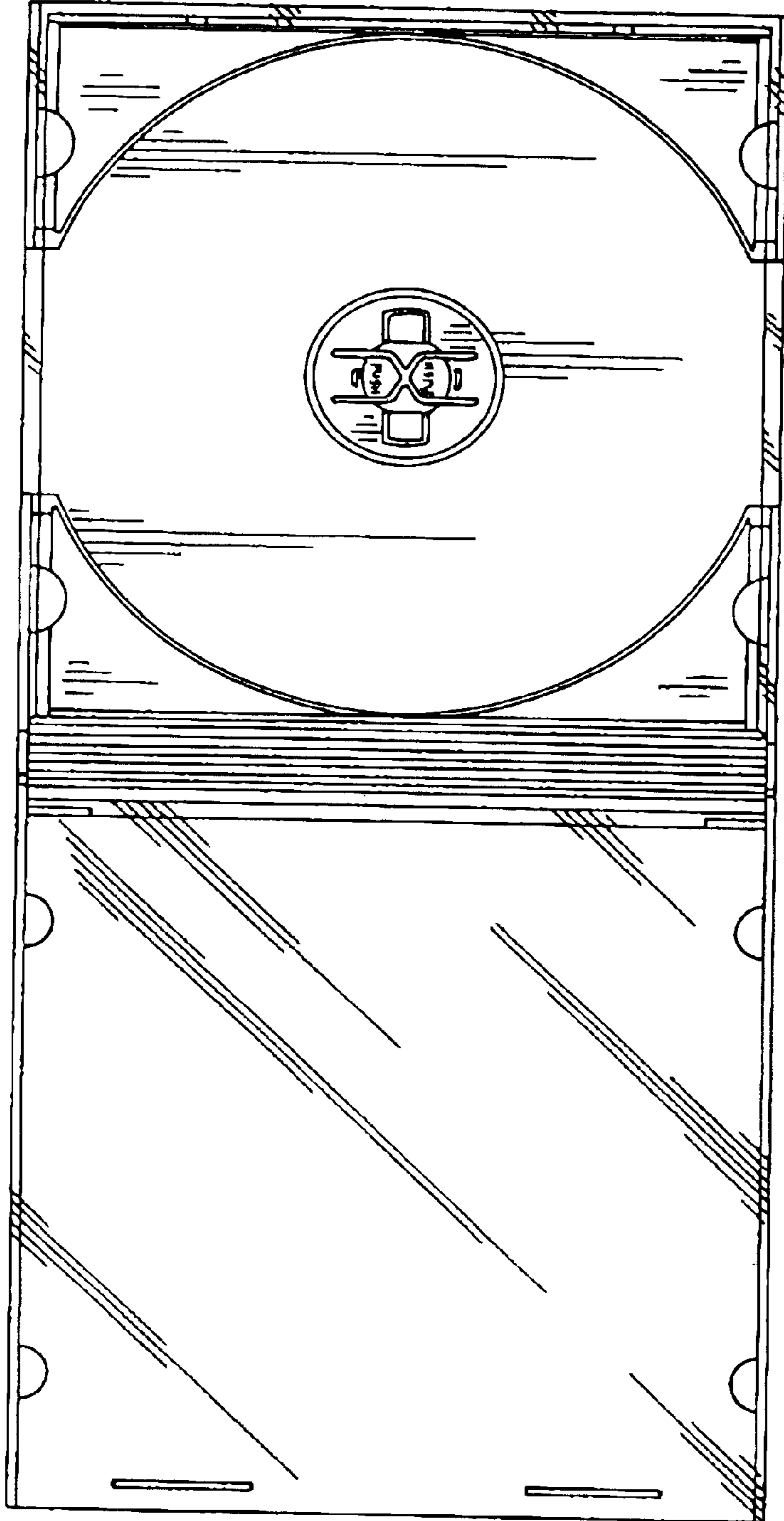
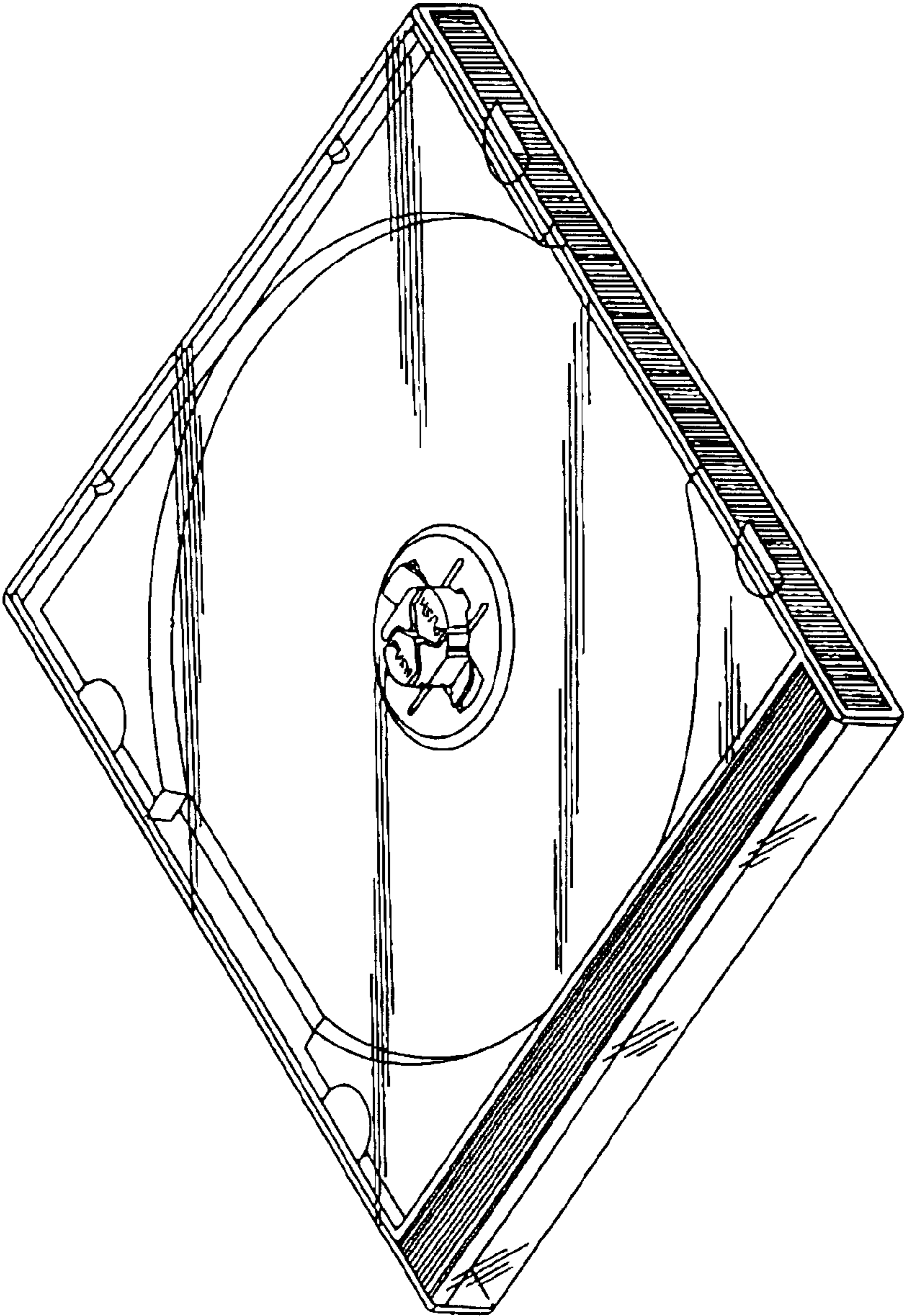


Fig. 17

Fig. 18



UNITED STATES PATENT AND TRADEMARK OFFICE  
**CERTIFICATE OF CORRECTION**

PATENT NO. : Des. 492,535 S  
DATED : July 6, 2004  
INVENTOR(S) : Susumu Hiramatsu

Page 1 of 1

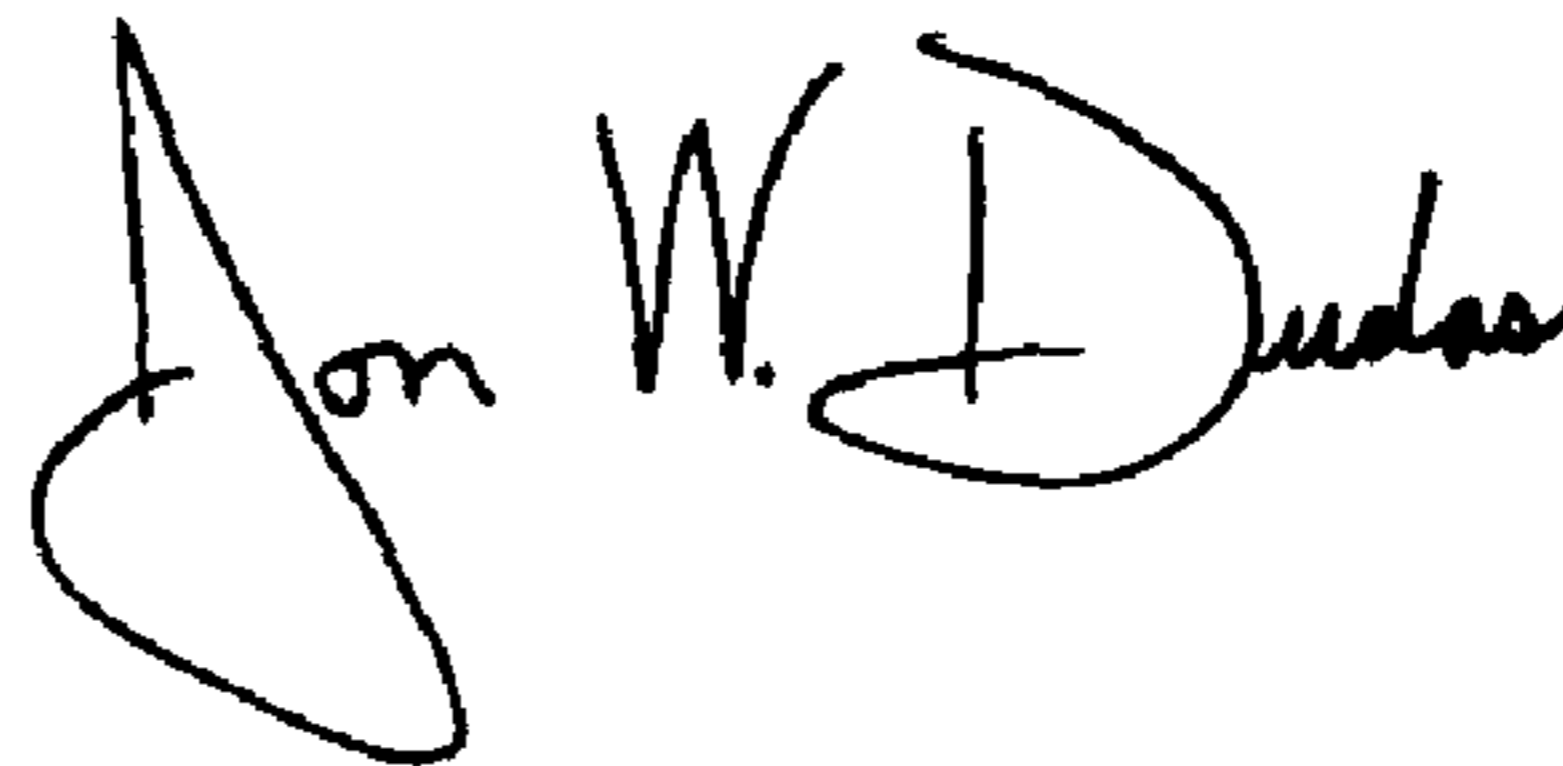
It is certified that error appears in the above-identified patent and that said Letters Patent is hereby corrected as shown below:

Title page,

Item [73], Assignee, please insert the second assignee information, which should read  
-- **Kinyosha Printing Co., Ltd., Tokyo (JP)** --.

Signed and Sealed this

Thirtieth Day of November, 2004

A handwritten signature in black ink that reads "Jon W. Dudas". The signature is written in a cursive style with a large, looped initial "J".

JON W. DUDAS

*Director of the United States Patent and Trademark Office*