



US00D492530S1

(12) **United States Design Patent**
Chen

(10) **Patent No.:** **US D492,530 S**

(45) **Date of Patent:** **** Jul. 6, 2004**

(54) **TOWEL BAR**

(76) **Inventor:** **Lien-Fu Chen**, No. 11, Lane 66, Fu Dong Street, Fu Shan Li, Chung Hua (TW)

(**) **Term:** **14 Years**

(21) **Appl. No.:** **29/193,300**

(22) **Filed:** **Nov. 5, 2003**

(51) **LOC (7) Cl.** **06-04**

(52) **U.S. Cl.** **D6/549**

(58) **Field of Search** D6/546-550, 518-519, D6/522-524; D8/300, 303, 315-321; 108/28-29; 211/13.1, 16, 60.1, 86.01, 87.01, 88.01, 88.04, 100, 105.1-105.2, 123, 181.1, 182; 248/175, 176.1, 251, 302; 16/110.1, 412, 415; 242/570, 590, 595-598

(56) **References Cited**

U.S. PATENT DOCUMENTS

D427,471 S * 7/2000 Chen D6/549
D449,952 S * 11/2001 Lyndon D6/549
D454,743 S * 3/2002 Ou-Young D6/549

D454,745 S * 3/2002 Wright D6/550
D455,592 S * 4/2002 Ou-Young D6/549
D455,823 S * 4/2002 Zetsche D23/304
D472,417 S * 4/2003 Hunt D6/549
D477,951 S * 8/2003 Ouano D6/549
D479,931 S * 9/2003 Gilbert D6/549

* cited by examiner

Primary Examiner—Brian N. Vinson

(74) *Attorney, Agent, or Firm*—Charles E. Baxley

(57) **CLAIM**

The ornamental design for a towel bar, as shown and described.

DESCRIPTION

FIG. 1 is a perspective view of a towel bar showing my new design;

FIG. 2 is a front elevational view thereof;

FIG. 3 is a rear elevational view thereof;

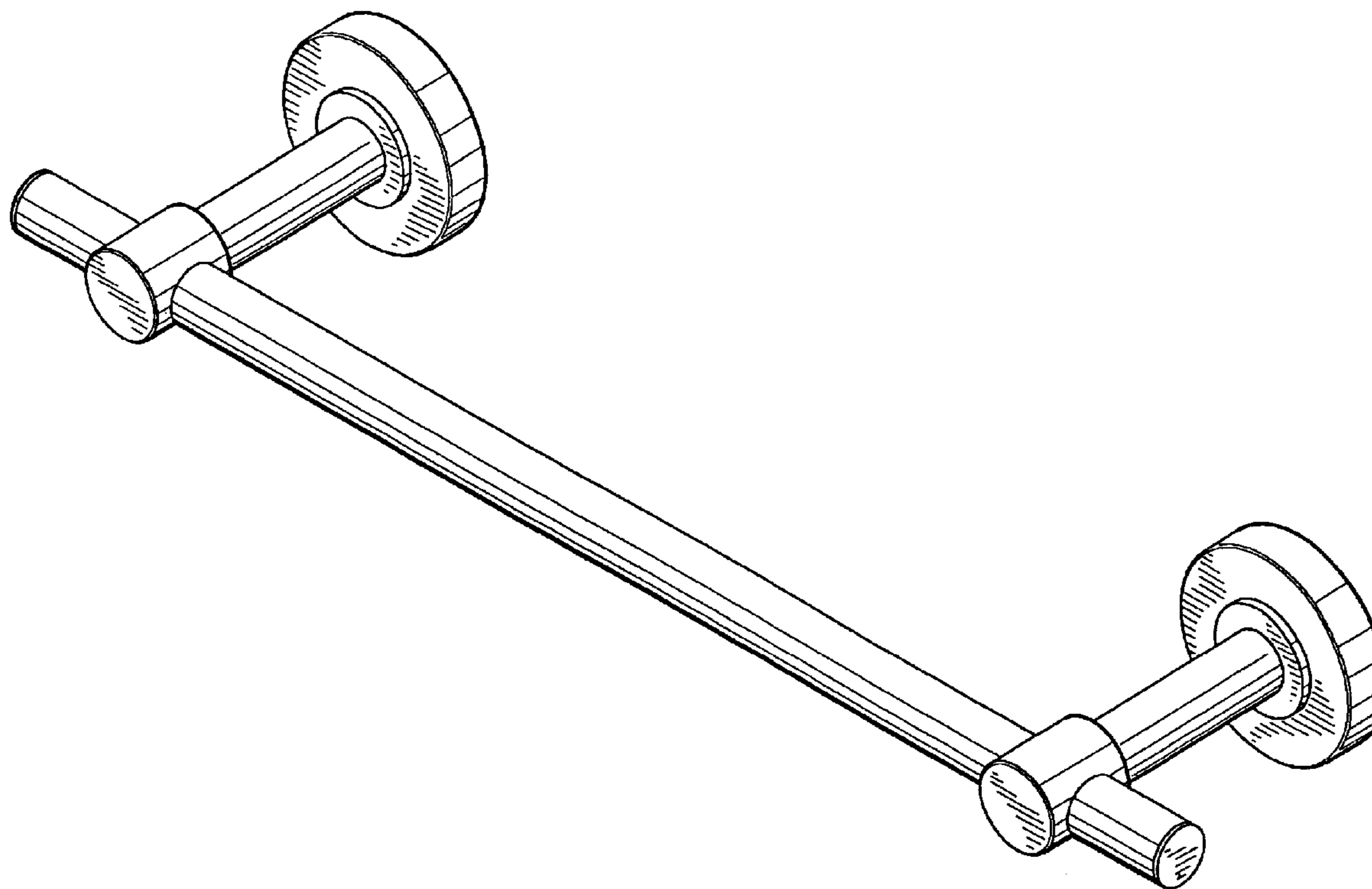
FIG. 4 is a left side elevational view thereof;

FIG. 5 is a right side elevational view thereof;

FIG. 6 is a top plan view thereof; and,

FIG. 7 is a bottom plan view thereof.

1 Claim, 5 Drawing Sheets



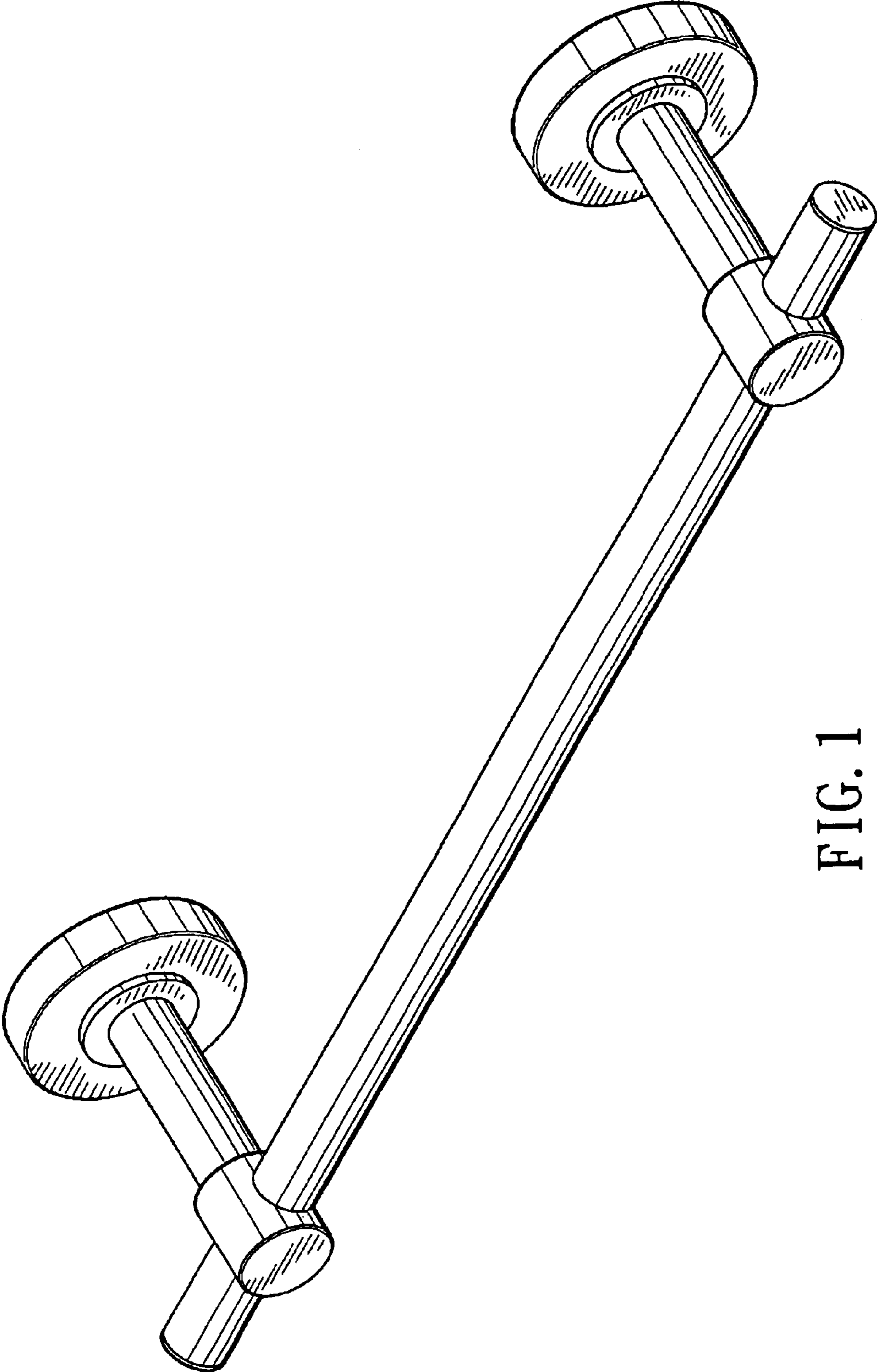


FIG. 1

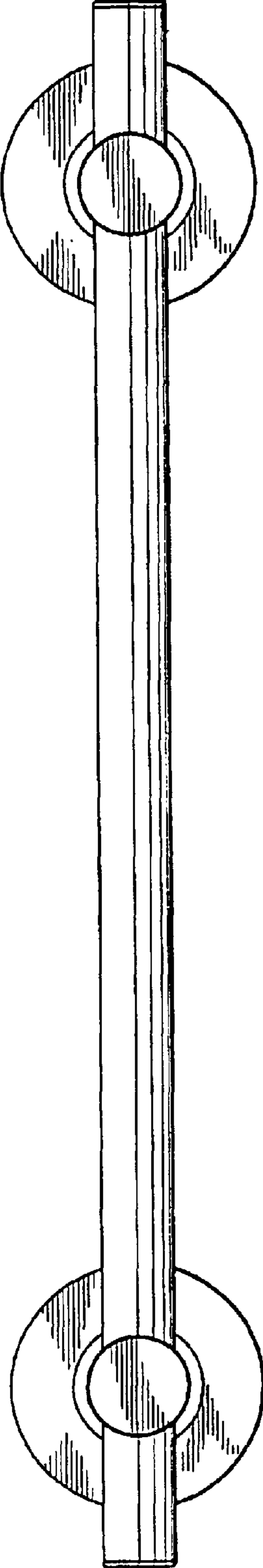


FIG. 2

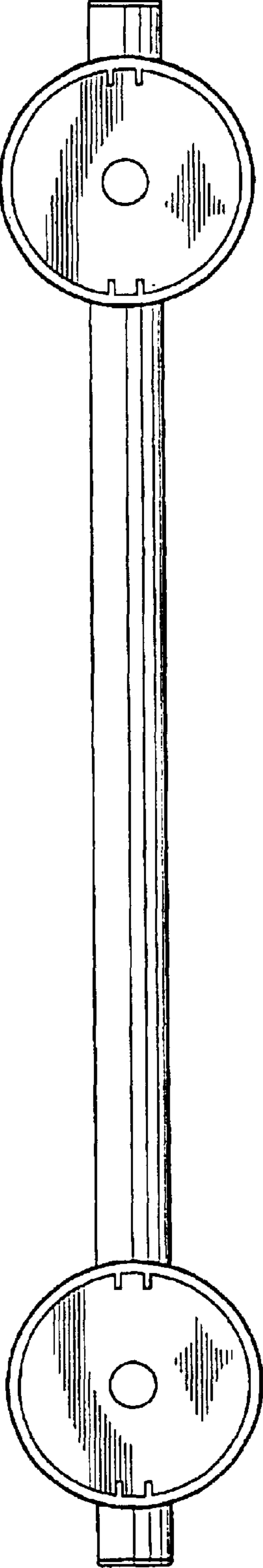


FIG. 3

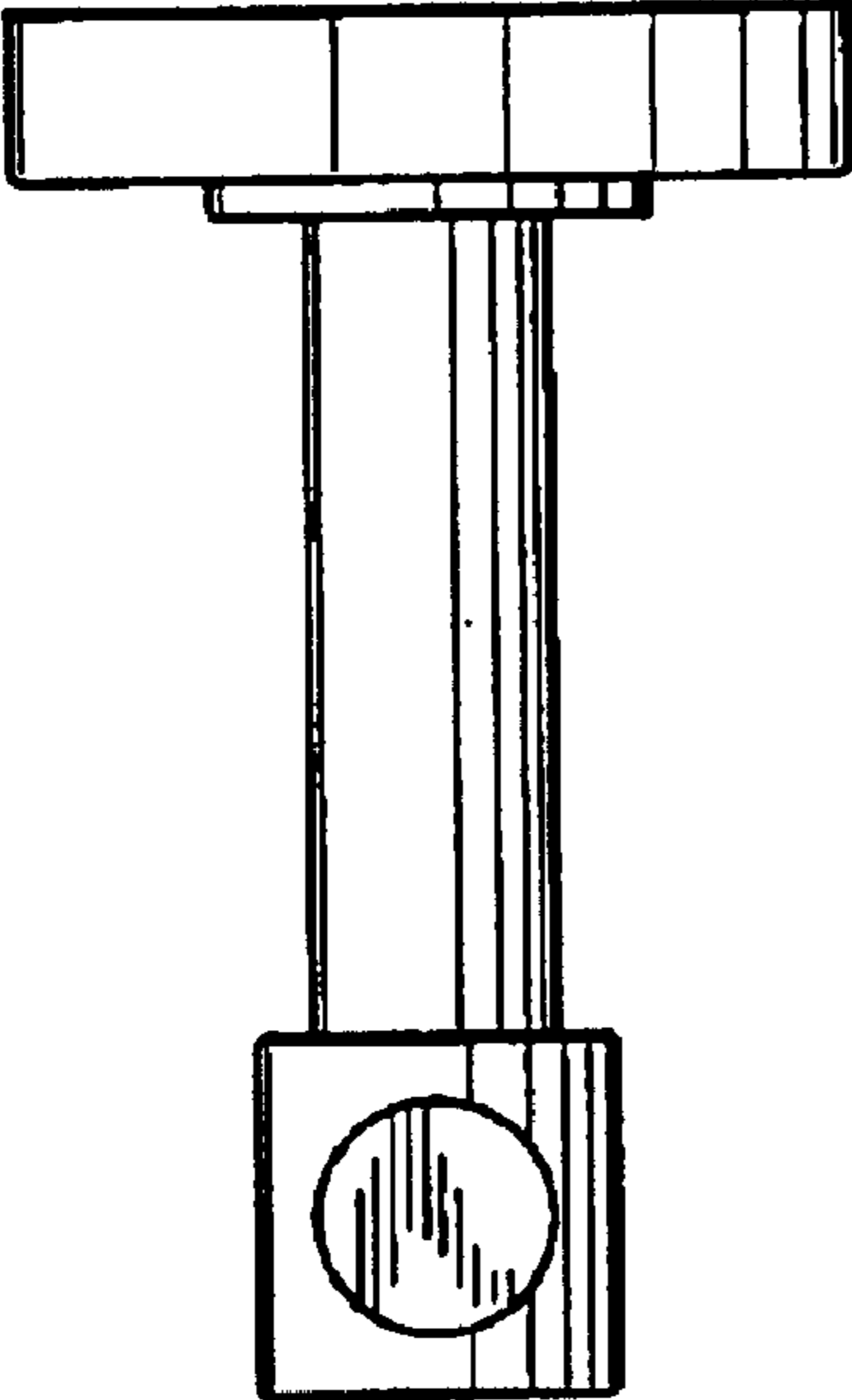


FIG. 5

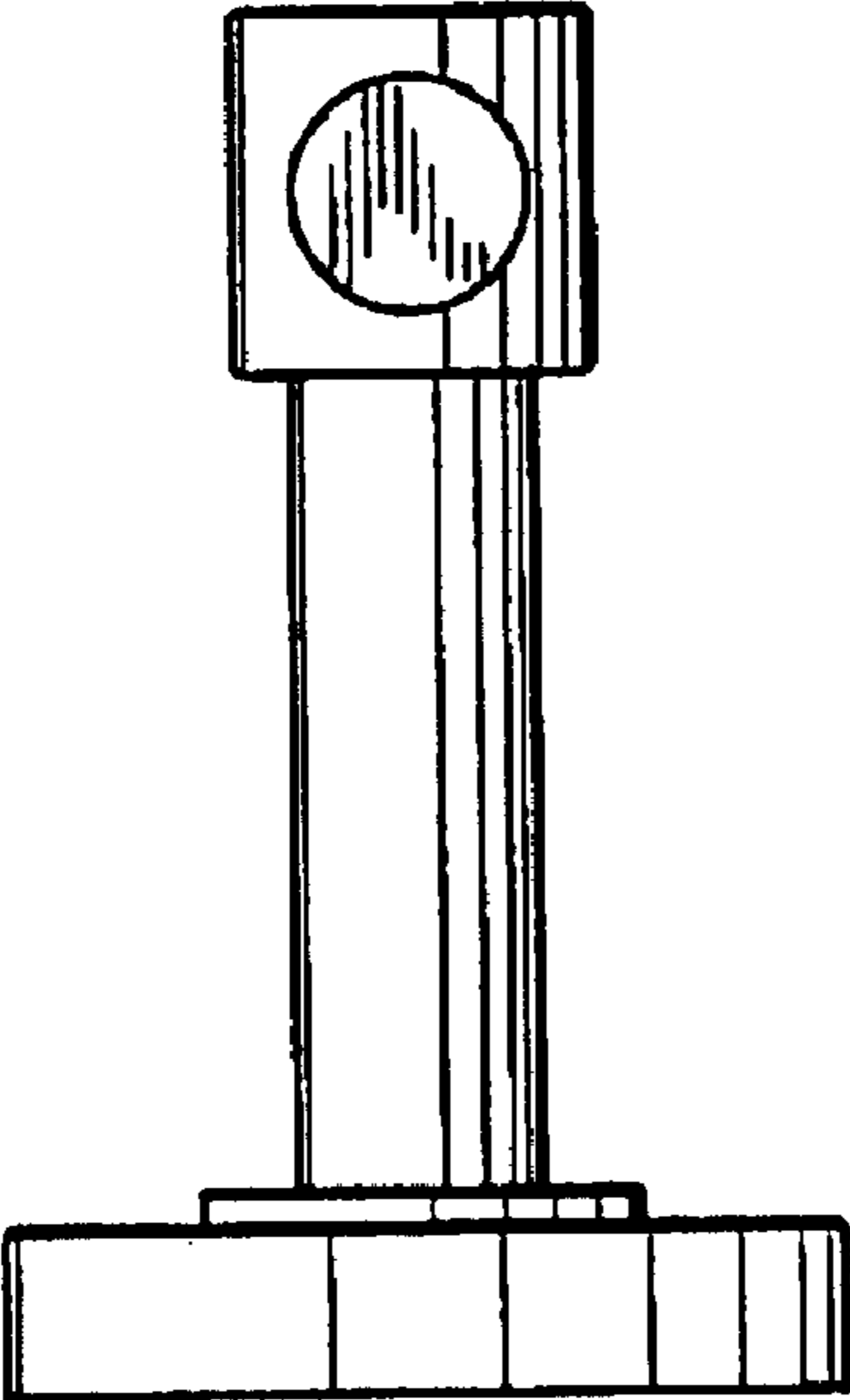


FIG. 4

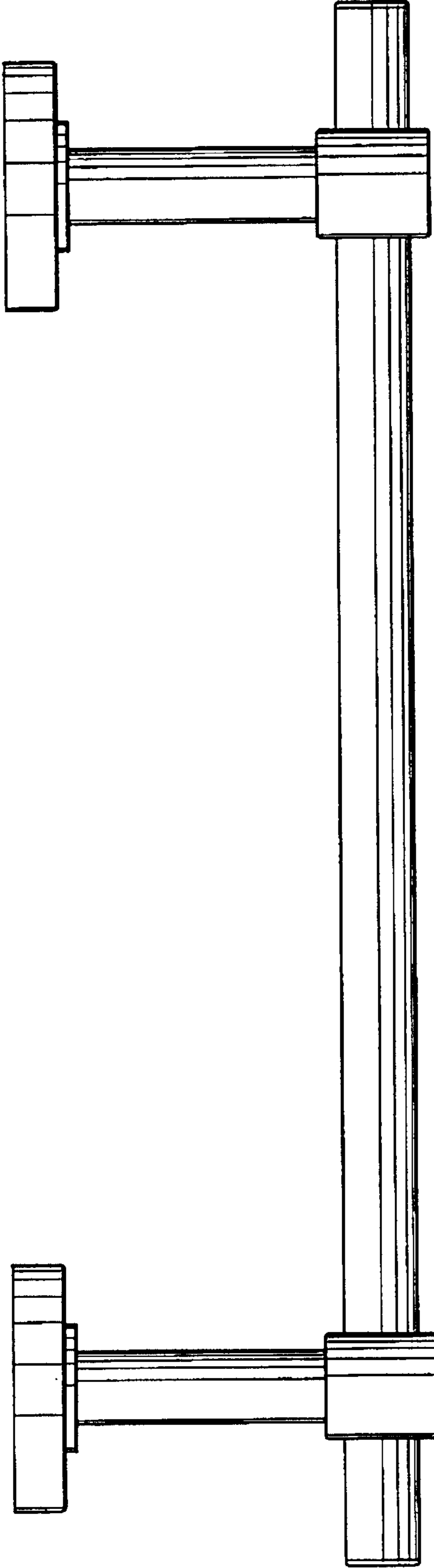


FIG. 6

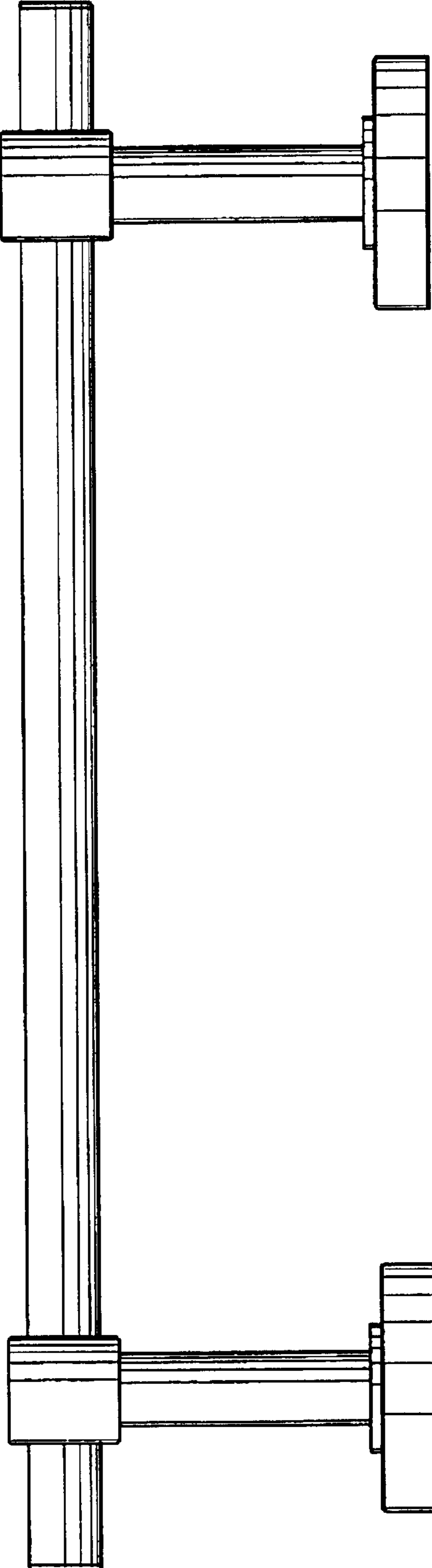


FIG. 7