

US00D492529S1

(12) **United States Design Patent**  
**Chen**

(10) **Patent No.:** **US D492,529 S**

(45) **Date of Patent:** **\*\* Jul. 6, 2004**

(54) **TOWEL BAR**

(76) **Inventor:** **Lien-Fu Chen**, No. 11, Lane 66, Fu Dong Street, Fu Shan Li, Chung Hua City (TW)

(\*\*) **Term:** **14 Years**

(21) **Appl. No.:** **29/185,858**

(22) **Filed:** **Jul. 3, 2003**

(51) **LOC (7) Cl.** ..... **06-04**

(52) **U.S. Cl.** ..... **D6/549**

(58) **Field of Search** ..... D6/546-550, 518-519, D6/522-524; D8/300, 303, 315-321; 108/28-29; 211/13.1, 16, 60.1, 86.01, 87.01, 88.01, 88.04, 100, 105.1-105.2, 123, 181.1, 182; 248/175, 176.1, 251, 302; 16/110.1, 412, 415; 242/570, 590, 595-598

(56) **References Cited**

**U.S. PATENT DOCUMENTS**

D427,471 S \* 7/2000 Chen ..... D6/549  
D449,952 S \* 11/2001 Lyndon ..... D6/549  
D454,743 S \* 3/2002 Ou-Young ..... D6/549

D454,745 S \* 3/2002 Wright ..... D6/550  
D455,592 S \* 4/2002 Ou-Young ..... D6/549  
D455,823 S \* 4/2002 Zetsche ..... D23/304  
D472,417 S \* 4/2003 Hunt ..... D6/549  
D477,951 S \* 8/2003 Ouano ..... D6/549  
D479,931 S \* 9/2003 Gilbert ..... D6/549

\* cited by examiner

*Primary Examiner*—Brian N. Vinson

(74) *Attorney, Agent, or Firm*—Charles E. Baxley

(57) **CLAIM**

The ornamental design for a towel bar, as shown and described.

**DESCRIPTION**

FIG. 1 is a perspective view of a towel bar showing my new design;

FIG. 2 is a front elevational view thereof;

FIG. 3 is a rear elevational view thereof;

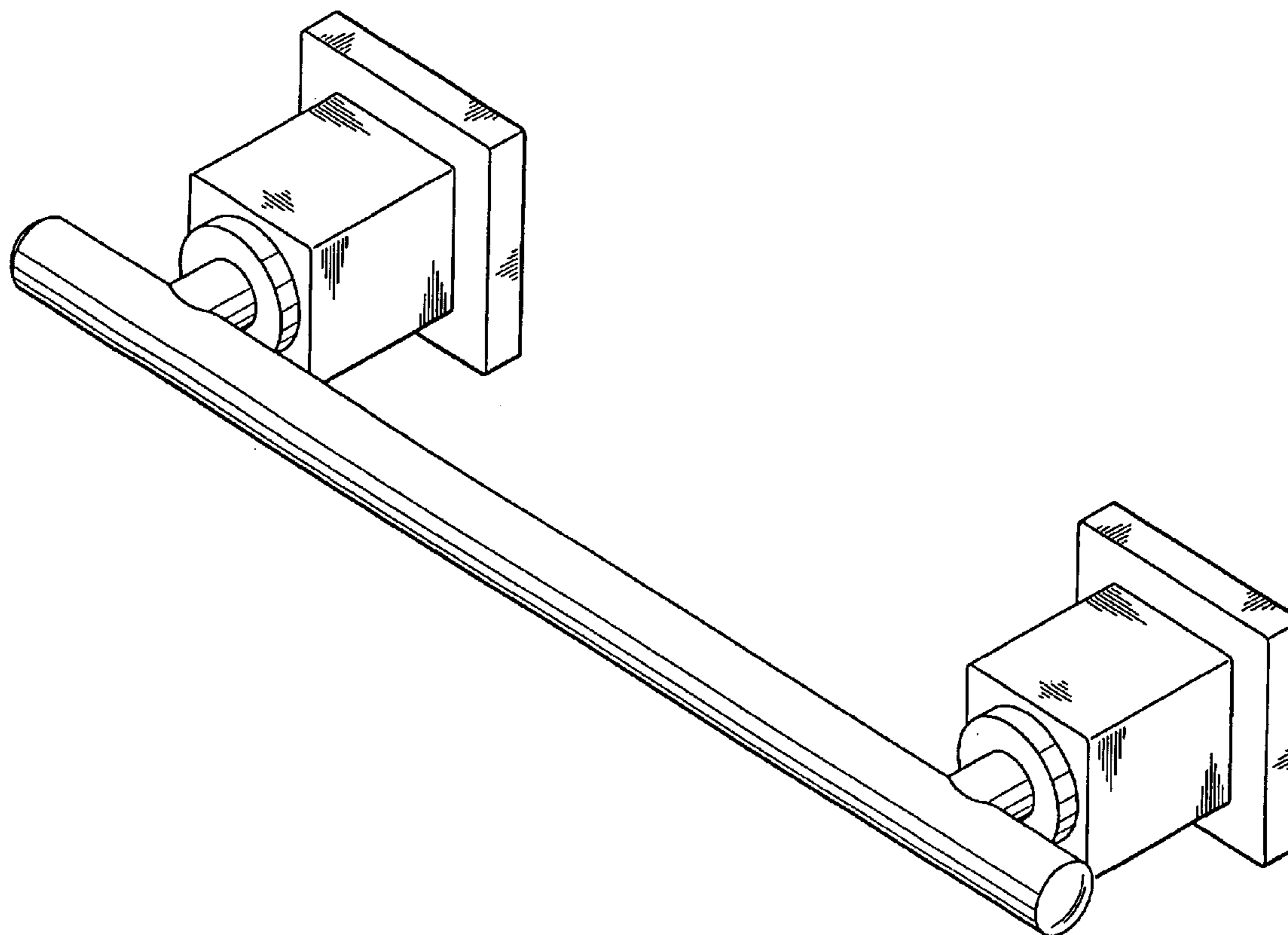
FIG. 4 is a left side elevational view thereof;

FIG. 5 is a right side elevational view thereof;

FIG. 6 is a top plan view thereof; and,

FIG. 7 is a bottom plan view thereof.

**1 Claim, 5 Drawing Sheets**



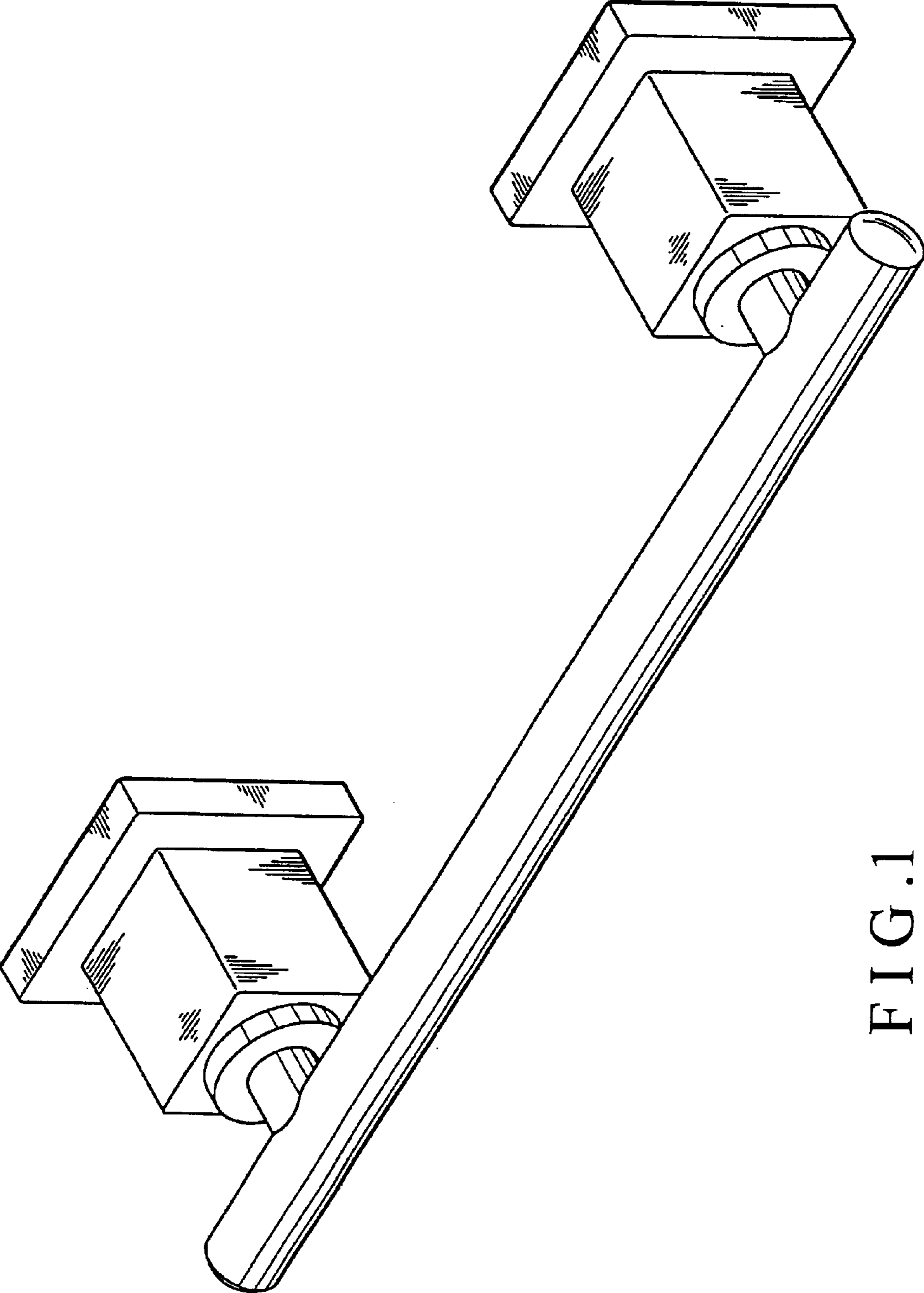


FIG. 1

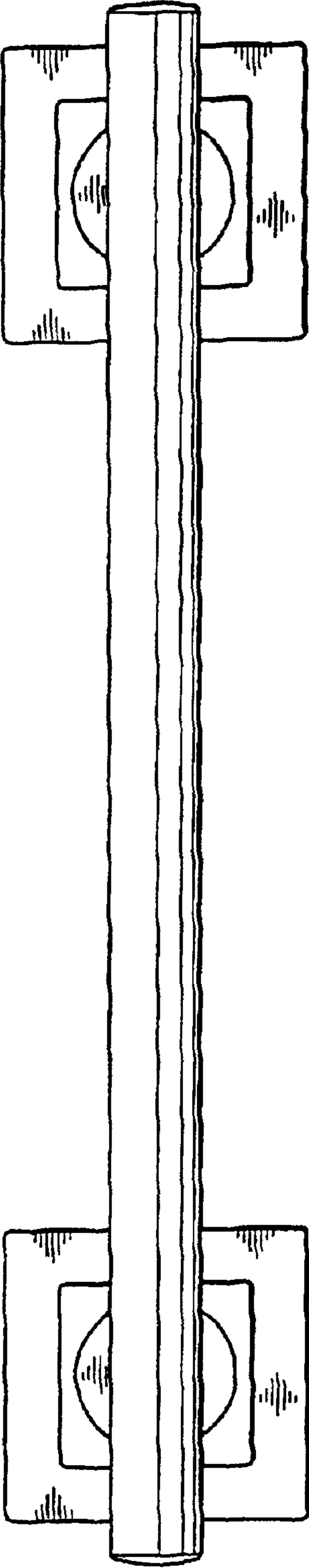


FIG. 2

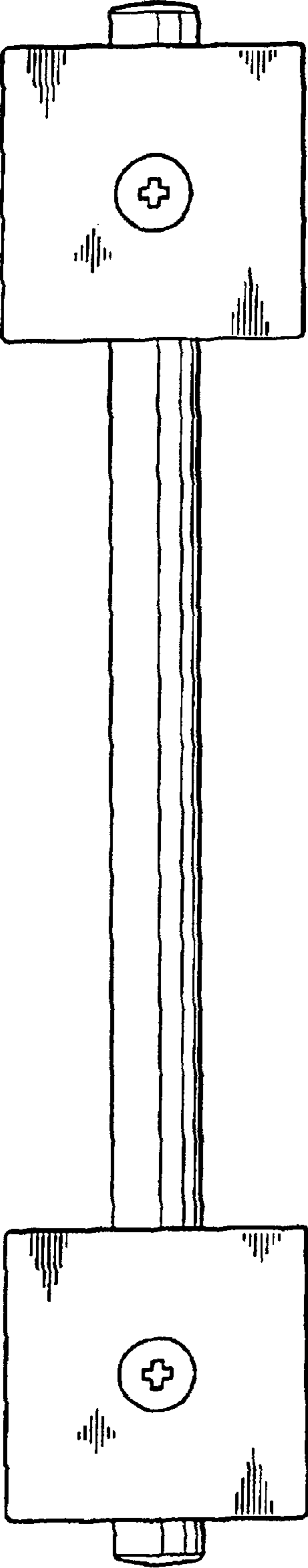


FIG. 3

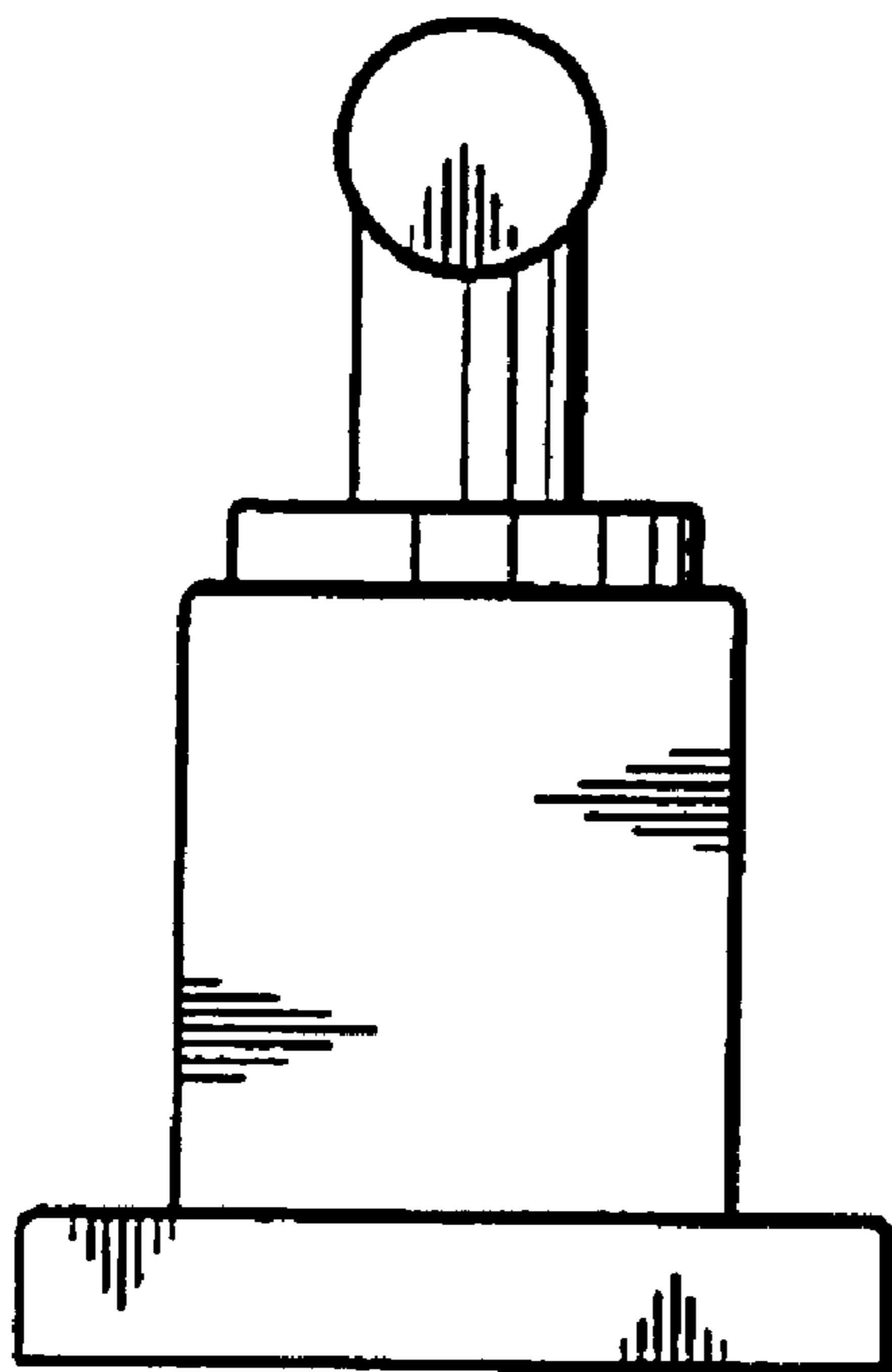
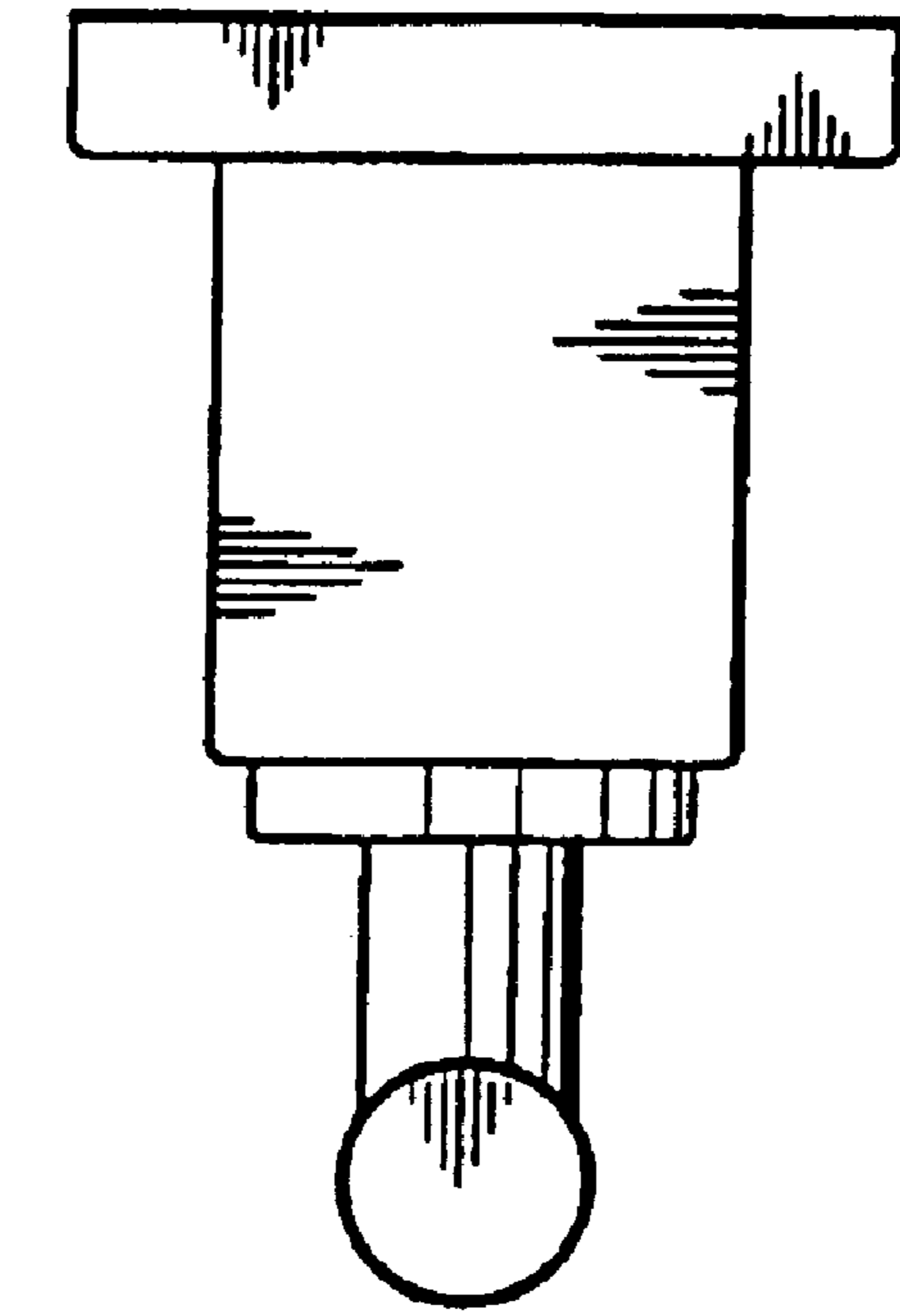


FIG. 5

FIG. 4

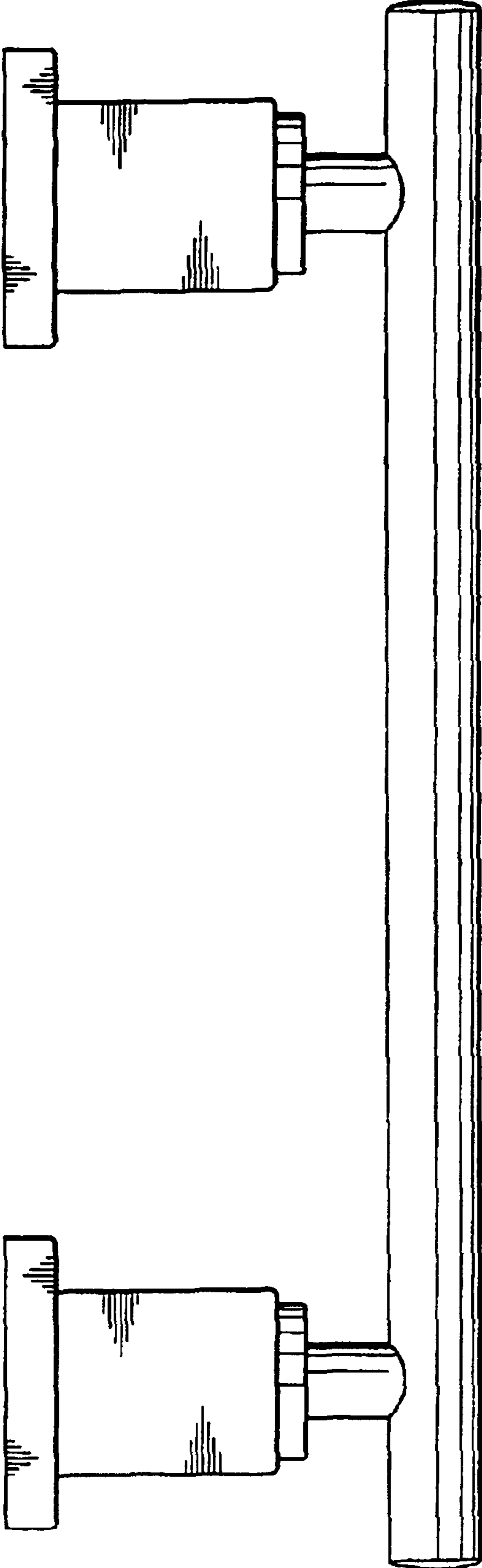


FIG. 6

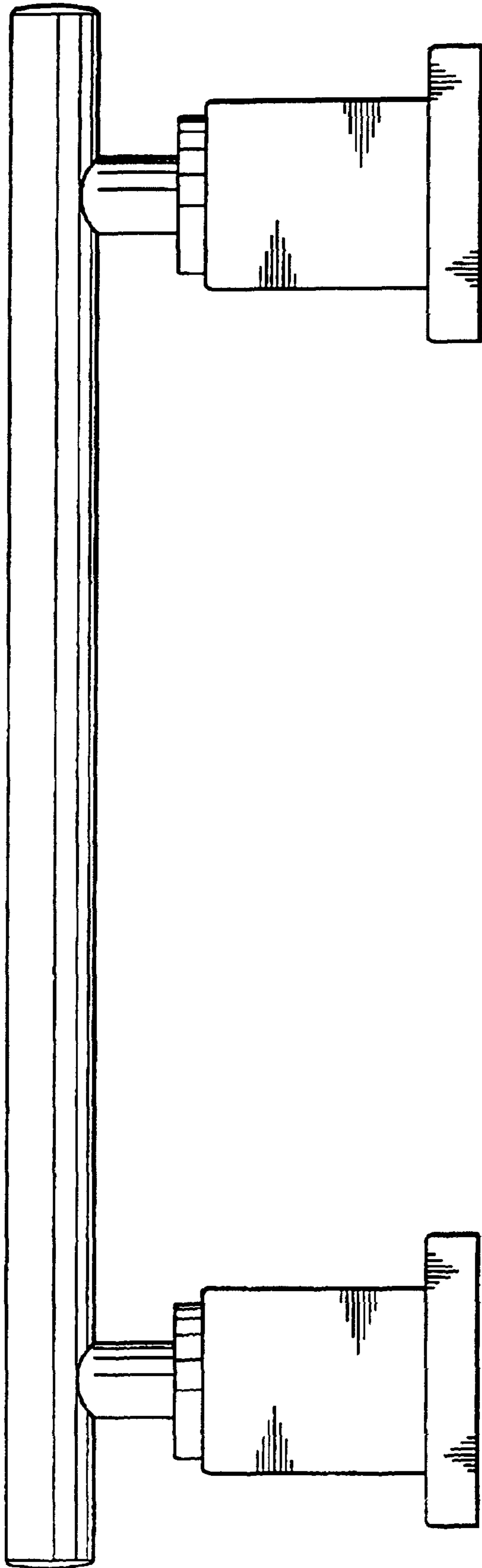


FIG. 7