



US00D492527S1

(12) **United States Design Patent**
Snell

(10) **Patent No.:** **US D492,527 S**
(45) **Date of Patent:** **** Jul. 6, 2004**

(54) **SOAP SAVER**

(75) **Inventor:** **Russell Benton Snell**, Bentleyville, OH (US)

(73) **Assignee:** **InterDesign, Inc.**, Solon, OH (US)

(**) **Term:** **14 Years**

(21) **Appl. No.:** **29/169,649**

(22) **Filed:** **Oct. 24, 2002**

(51) **LOC (7) Cl.** **23-02**

(52) **U.S. Cl.** **D6/536**

(58) **Field of Search** D6/536, 539, 555, D6/556, 601, 524, 532, 529, 533, 534, 535, 537, 538; 5/417, 448, 470, 481, 652, 902, 929; 206/77.1; 24/13.1; 248/346.4

(56) **References Cited**

U.S. PATENT DOCUMENTS

2,886,916 A * 5/1959 Rossi 15/105 X
D368,195 S * 3/1996 Scott et al. D6/536
D397,267 S * 8/1998 Scott D6/536

* cited by examiner

Primary Examiner—Brian N. Vinson

(74) *Attorney, Agent, or Firm*—D. Peter Hochberg; Sean Mellino; Katherine R. Vieyra

(57) **CLAIM**

The ornamental design for a soap saver, as shown and described.

DESCRIPTION

FIG. 1 is a perspective view of the soap saver according to the invention;

FIG. 2 is a front view of the soap saver as shown in FIG. 1;

FIG. 3 is a side view of the soap saver as shown in FIG. 1;

FIG. 4 is a top view of the soap saver as shown in FIG. 1;

FIG. 5 is a side view of the soap saver as shown in FIG. 1,

as shown from the side opposite of that shown in FIG. 3;

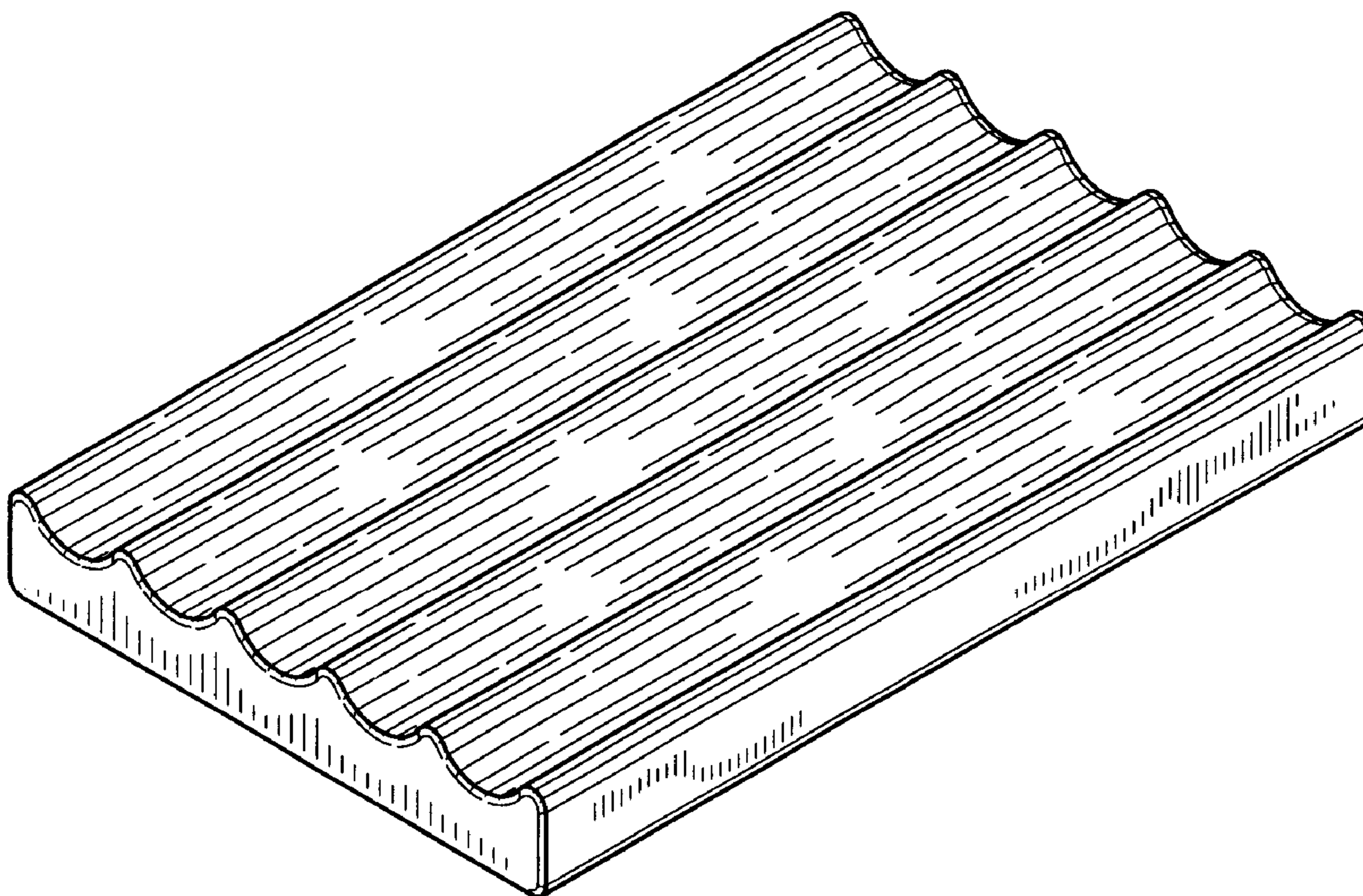
FIG. 6 is a rear view of the soap saver as shown in FIG. 1;

and,

FIG. 7 is a bottom view of the soap saver as shown in FIG.

1.

1 Claim, 2 Drawing Sheets



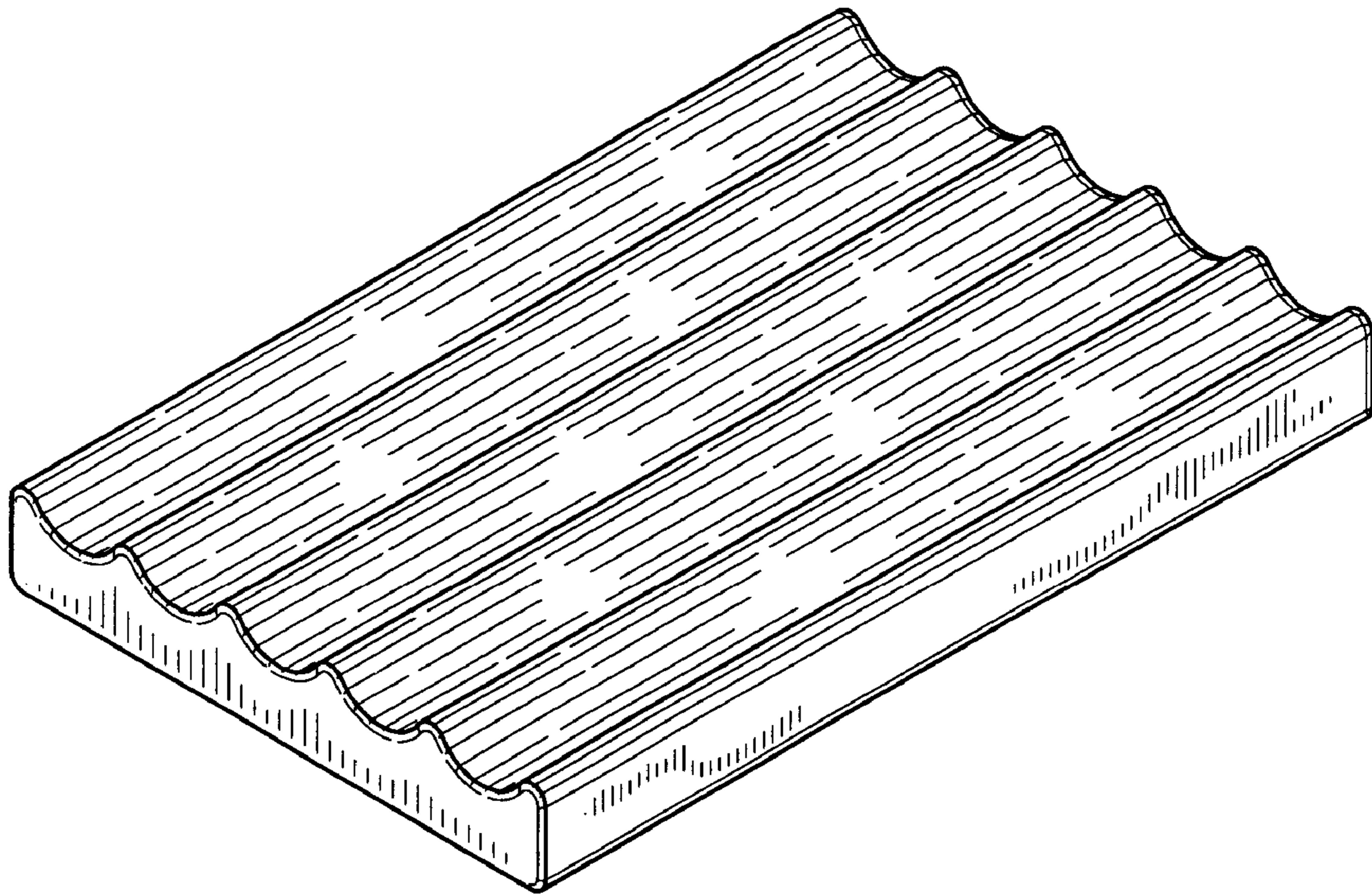


FIG-1

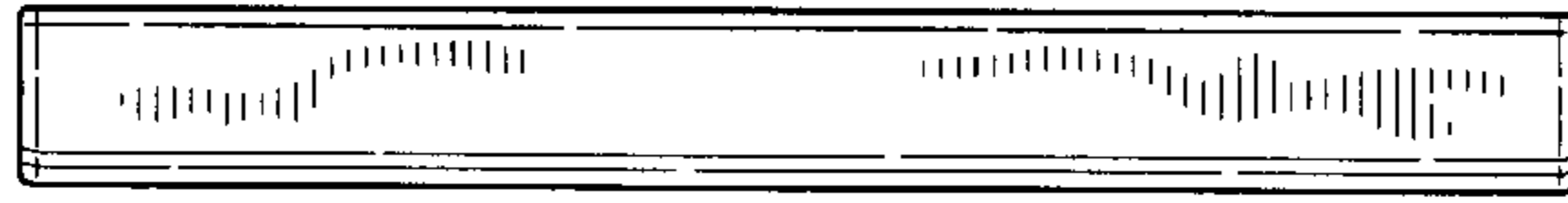


FIG-2

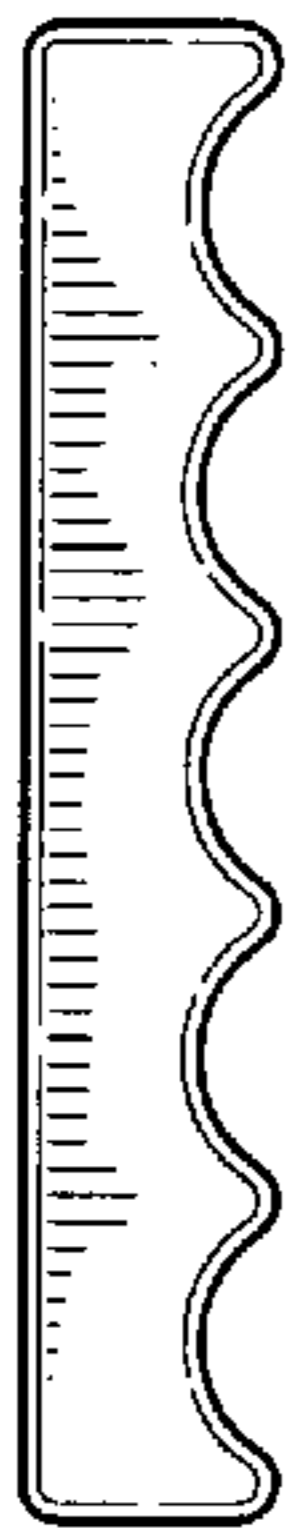


FIG-3

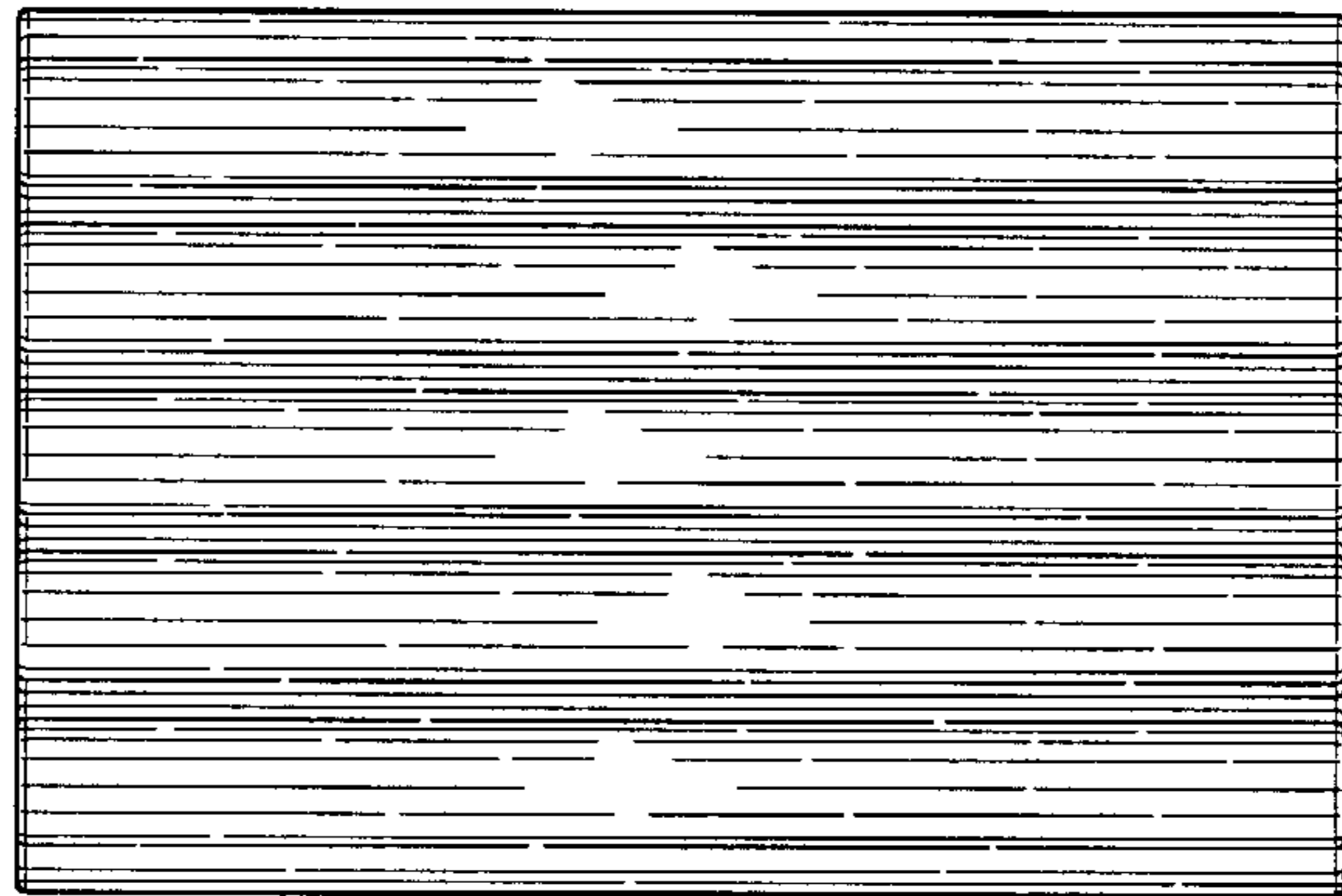


FIG-4



FIG-5

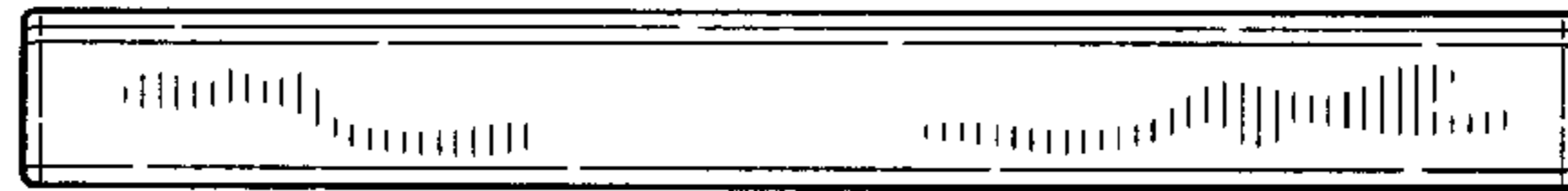


FIG-6

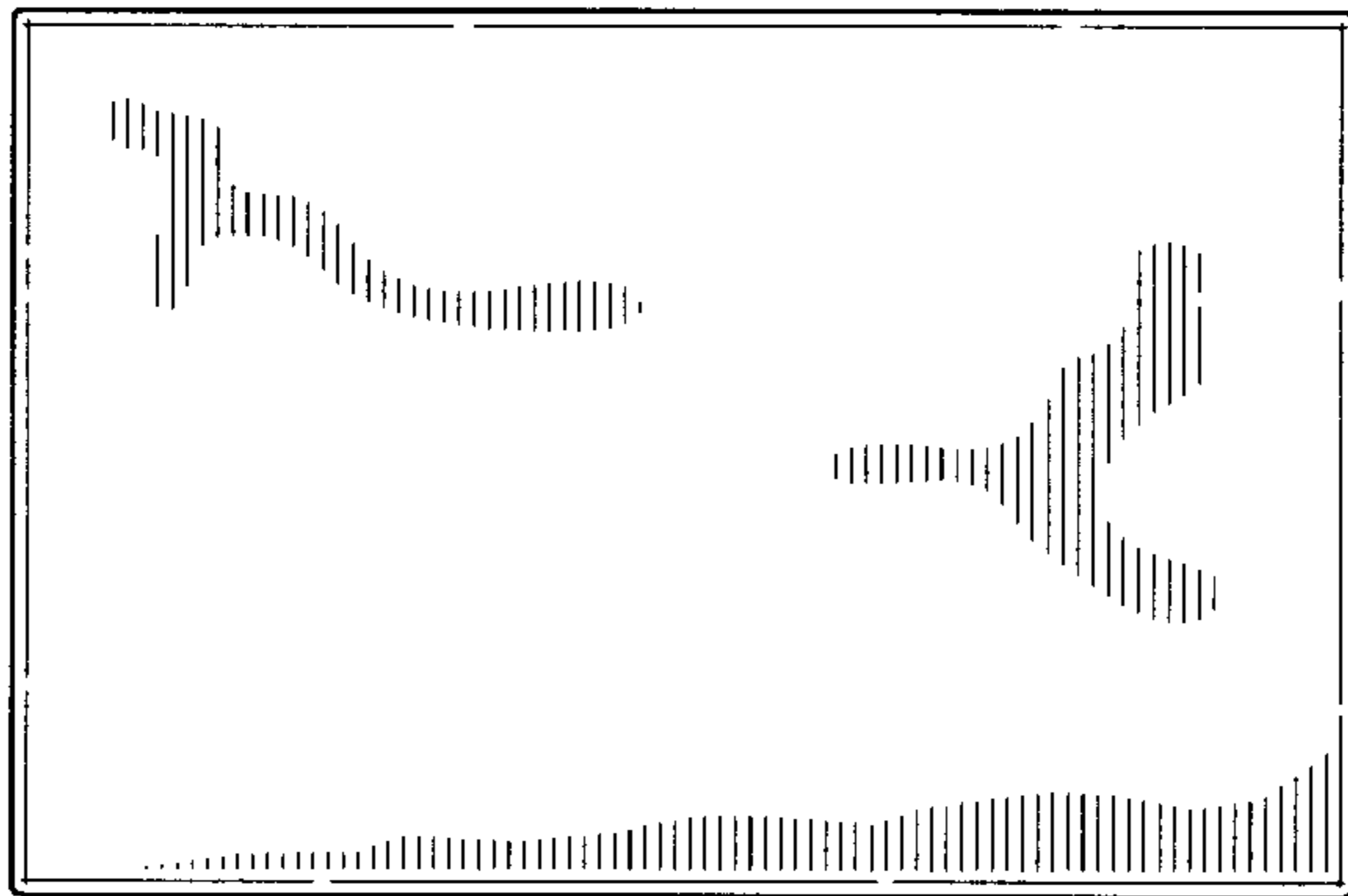


FIG-7