

US00D492526S1

(12) **United States Design Patent**  
**Ayers et al.**

(10) **Patent No.: US D492,526 S**

(45) **Date of Patent: \*\* Jul. 6, 2004**

(54) **TUMBLER HOLDER**

(75) **Inventors: Mark Edward Ayers, Leesport, PA (US); Randy S. Cramer, Lebanon, PA (US)**

(73) **Assignee: Newfrey LLC, Newark, DE (US)**

(\*\*) **Term: 14 Years**

(21) **Appl. No.: 29/190,667**

(22) **Filed: Sep. 24, 2003**

(51) **LOC (7) Cl. .... 23-02**

(52) **U.S. Cl. .... D6/534**

(58) **Field of Search ..... D6/531, 540, 524, D6/553, 567; D29/9, 72, 138, 145; 206/426; 211/13.1, 74, 85.12, 70.7, 75, 71.01, 86.01, 87.01; 248/309.1, 311.2**

(56) **References Cited**

**U.S. PATENT DOCUMENTS**

- D283,283 S \* 4/1986 Sollen ..... D6/535
- D306,689 S \* 3/1990 Hamann ..... D8/363
- D371,735 S \* 7/1996 Motta ..... D8/373

- D416,153 S \* 11/1999 Chen ..... D6/524
- D416,730 S \* 11/1999 Chen ..... D6/540
- D425,742 S \* 5/2000 Duggan ..... D6/535
- D453,646 S \* 2/2002 Gottwald ..... D6/535
- D456,194 S \* 4/2002 Hoernig ..... D6/535
- D478,757 S \* 8/2003 Hoernig ..... D6/535

\* cited by examiner

*Primary Examiner*—Brian N Vinson

(74) *Attorney, Agent, or Firm*—Richard J. Veltman; John D. Del Ponti

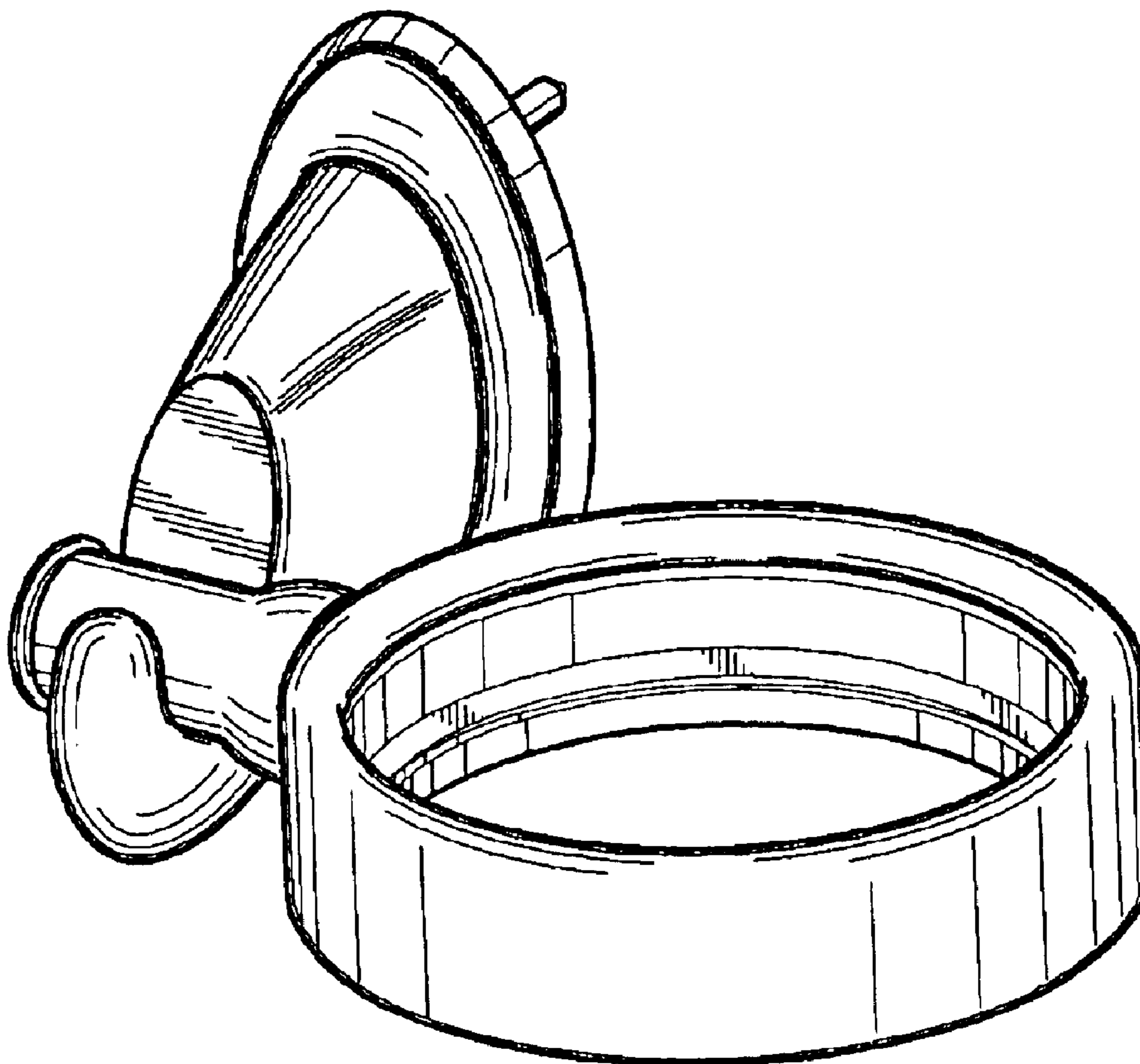
(57) **CLAIM**

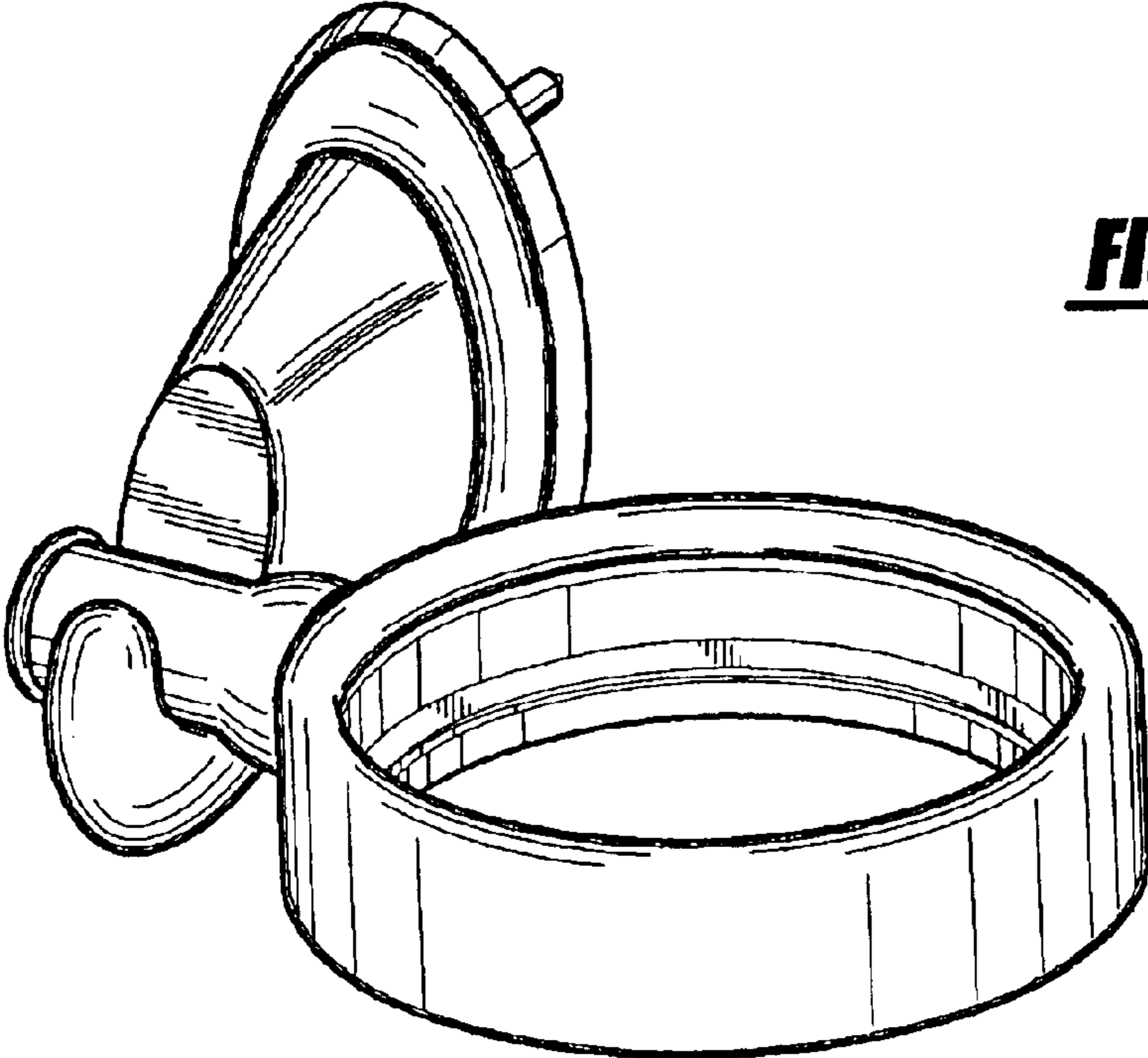
The ornamental design for a tumbler holder, as shown and described.

**DESCRIPTION**

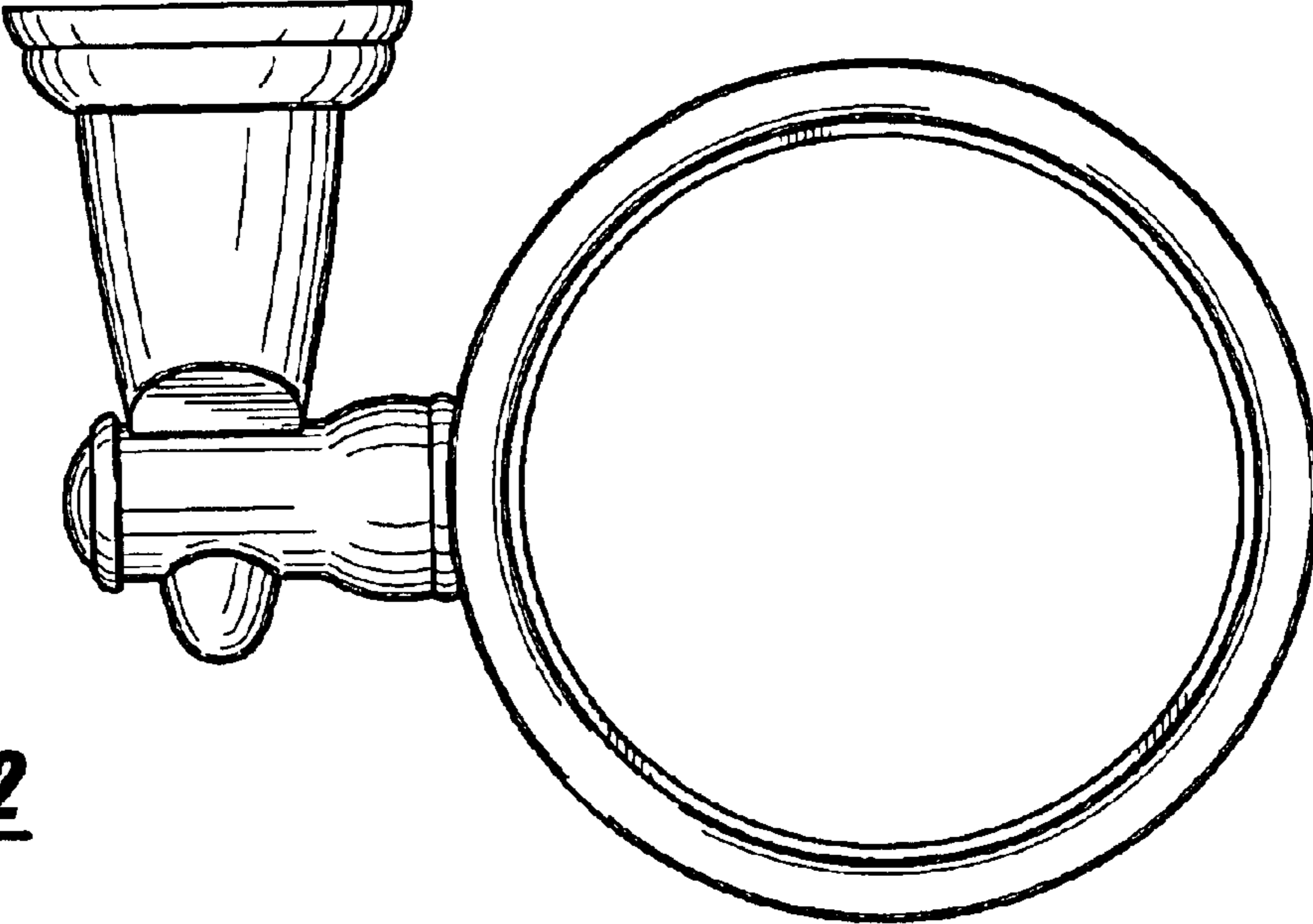
FIG. 1 is a perspective view of a tumbler holder showing our new design;  
 FIG. 2 is a top plan view thereof;  
 FIG. 3 is a right side view thereof;  
 FIG. 4 is a front elevational view thereof;  
 FIG. 5 is a left side view thereof; and,  
 FIG. 6 is a bottom plan view thereof.

**1 Claim, 3 Drawing Sheets**

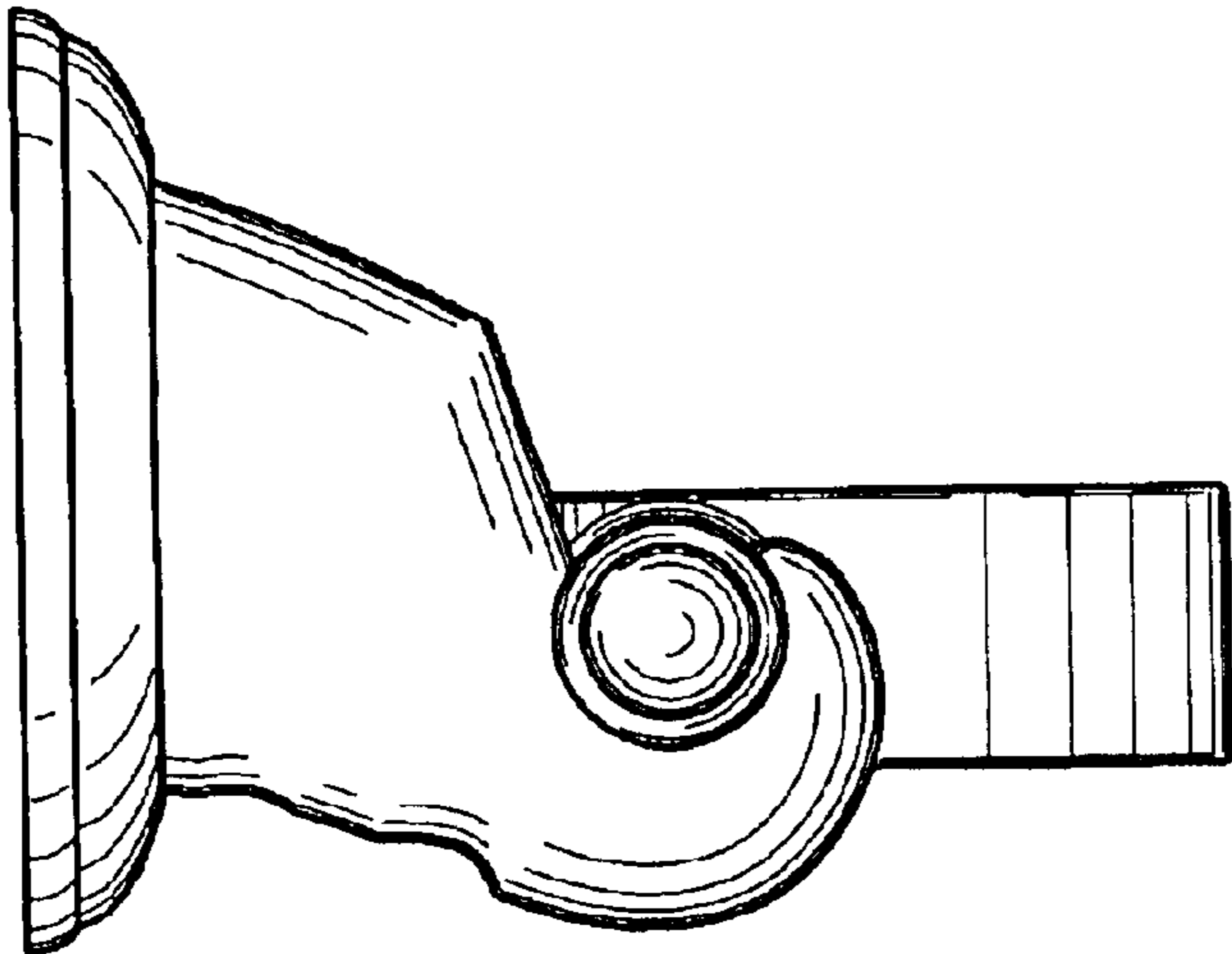




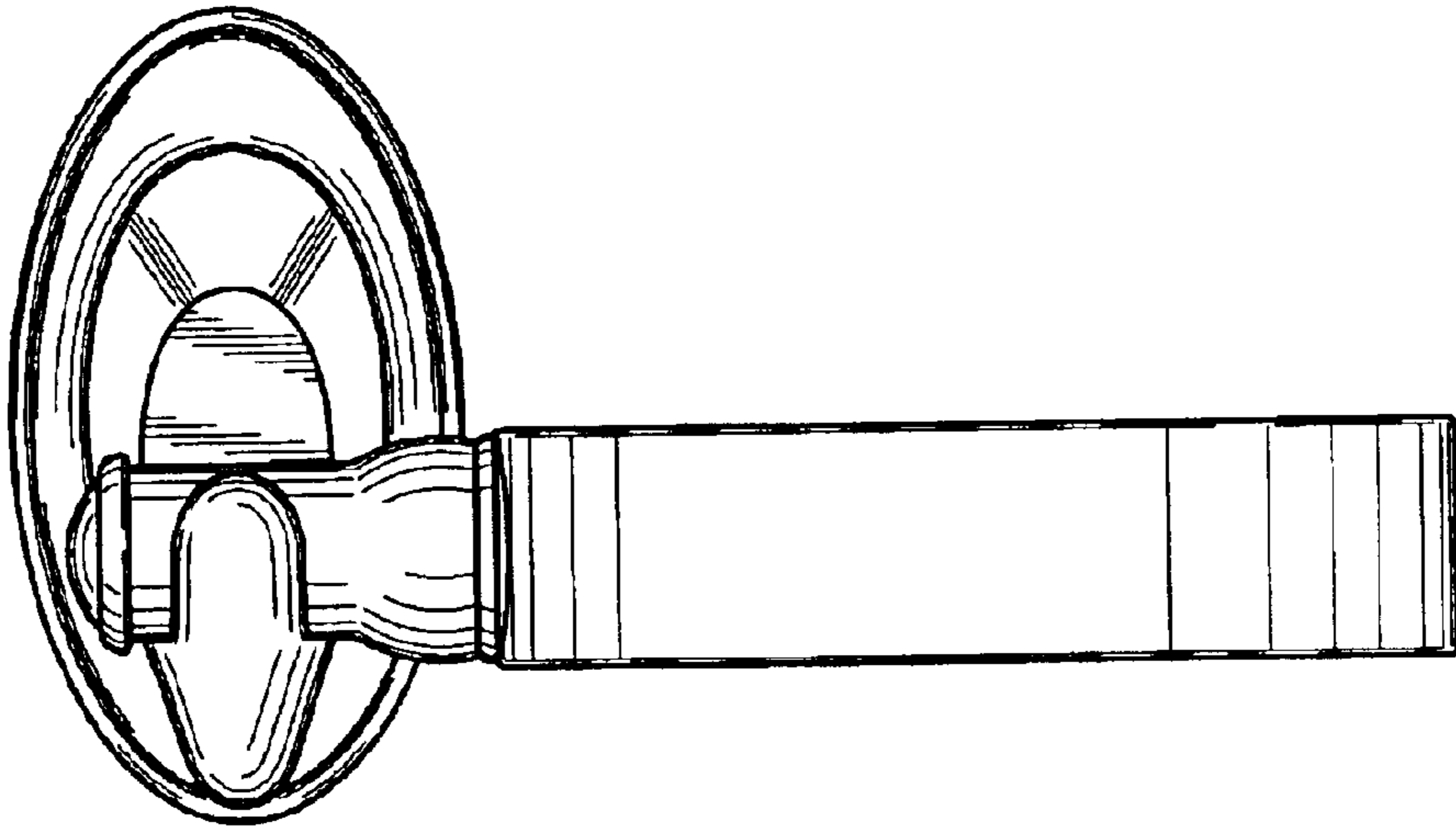
**FIG - 1**



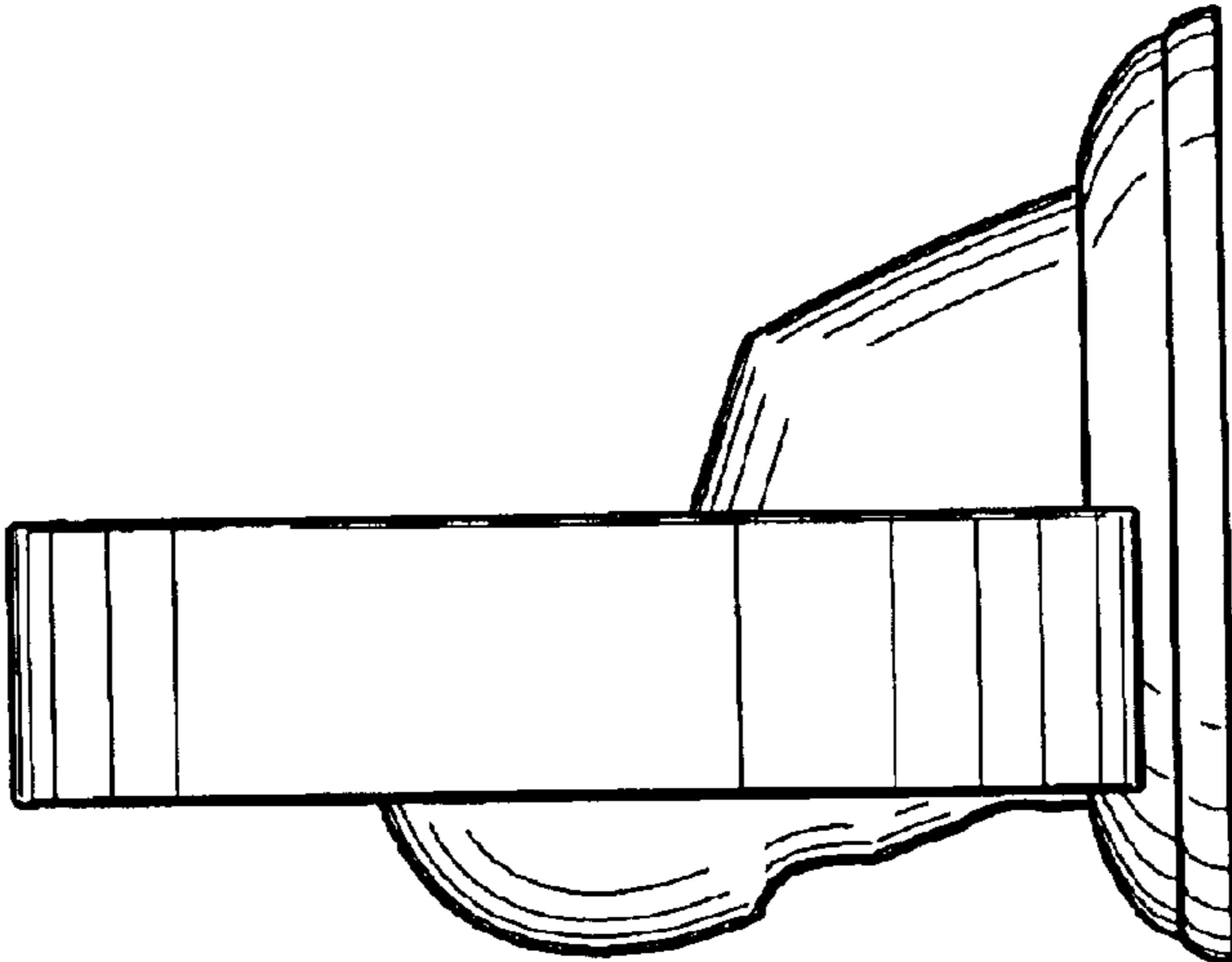
**FIG - 2**



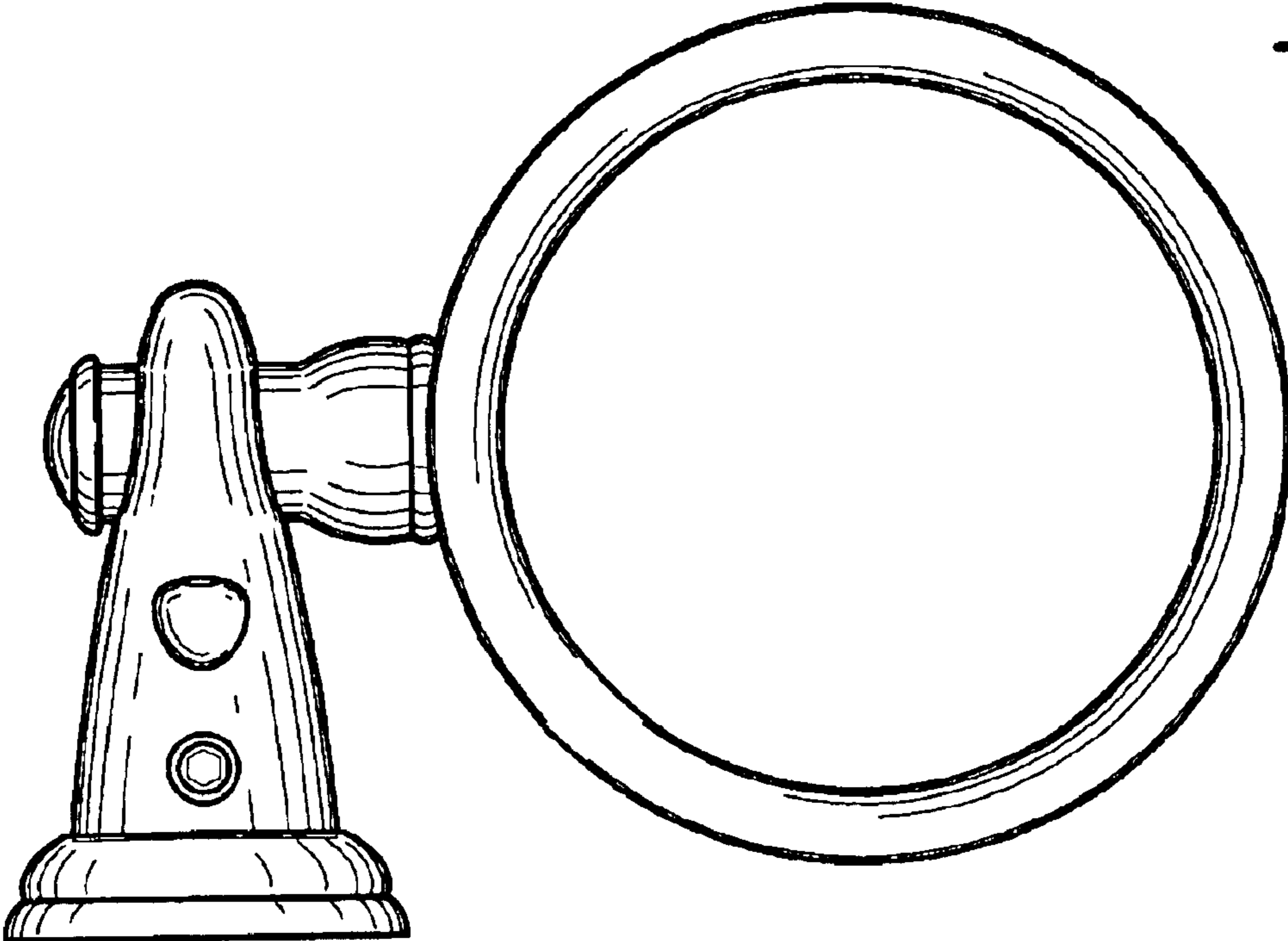
**FIG - 3**



**FIG - 4**



**FIG - 5**



**FIG - 6**