

US00D492524S1

(12) **United States Design Patent**
Roberts, III et al.

(10) **Patent No.:** **US D492,524 S**
(45) **Date of Patent:** **** Jul. 6, 2004**

(54) **BATH ACCESSORY POST**
(75) Inventors: **Rockwood T. Roberts, III**, Shillington, PA (US); **Mark Edward Ayers**, Leesport, PA (US); **Randy S. Cramer**, Lebanon, PA (US)
(73) Assignee: **Newfrey LLC**, Newark, DE (US)
(**) Term: **14 Years**

D431,742 S * 10/2000 Chen D6/524
D431,948 S * 10/2000 Chen D6/524
D449,948 S * 11/2001 Lai D6/524
D449,950 S * 11/2001 Lai D6/524
D451,325 S * 12/2001 Lai D6/524
D452,790 S * 1/2002 Chen D6/524
D466,738 S * 12/2002 Tai D6/524
D466,739 S * 12/2002 Yen D6/524
D477,945 S * 8/2003 Solowiej D6/524
D484,720 S * 1/2004 Moore D6/524

* cited by examiner

(21) Appl. No.: **29/190,755**
(22) Filed: **Sep. 25, 2003**

Primary Examiner—Brian N Vinson
(74) *Attorney, Agent, or Firm*—Richard J. Veltman; John D. Del Ponti

(51) **LOC (7) Cl.** **23-02**
(52) **U.S. Cl.** **D6/524**
(58) **Field of Search** D6/546–550, 518–519, D6/522–524; D8/300, 303, 315–321, 354, 363, 373, 380; 108/28–29; 211/13.1, 16, 60.1, 86.01, 87.01, 88.01, 88.04, 100, 105.1–105.2, 119.003, 123, 126.1, 133.6, 134, 181.1, 182; 248/175, 176.1, 200, 214, 251, 302, 309.1; 16/110.1, 412, 415; 242/570, 590; 206/389, 557

(57) **CLAIM**

The ornamental design for a bath accessory post, as shown and described.

DESCRIPTION

FIG. 1 is a perspective view of a bath accessory post showing our new design;
FIG. 2 is a right side view thereof;
FIG. 3 is a front elevational view thereof;
FIG. 4 is a left side view thereof;
FIG. 5 is a top plan view thereof; and,
FIG. 6 is a bottom plan view thereof.

(56) **References Cited**

U.S. PATENT DOCUMENTS

D337,230 S * 7/1993 Wang D6/550

1 Claim, 4 Drawing Sheets

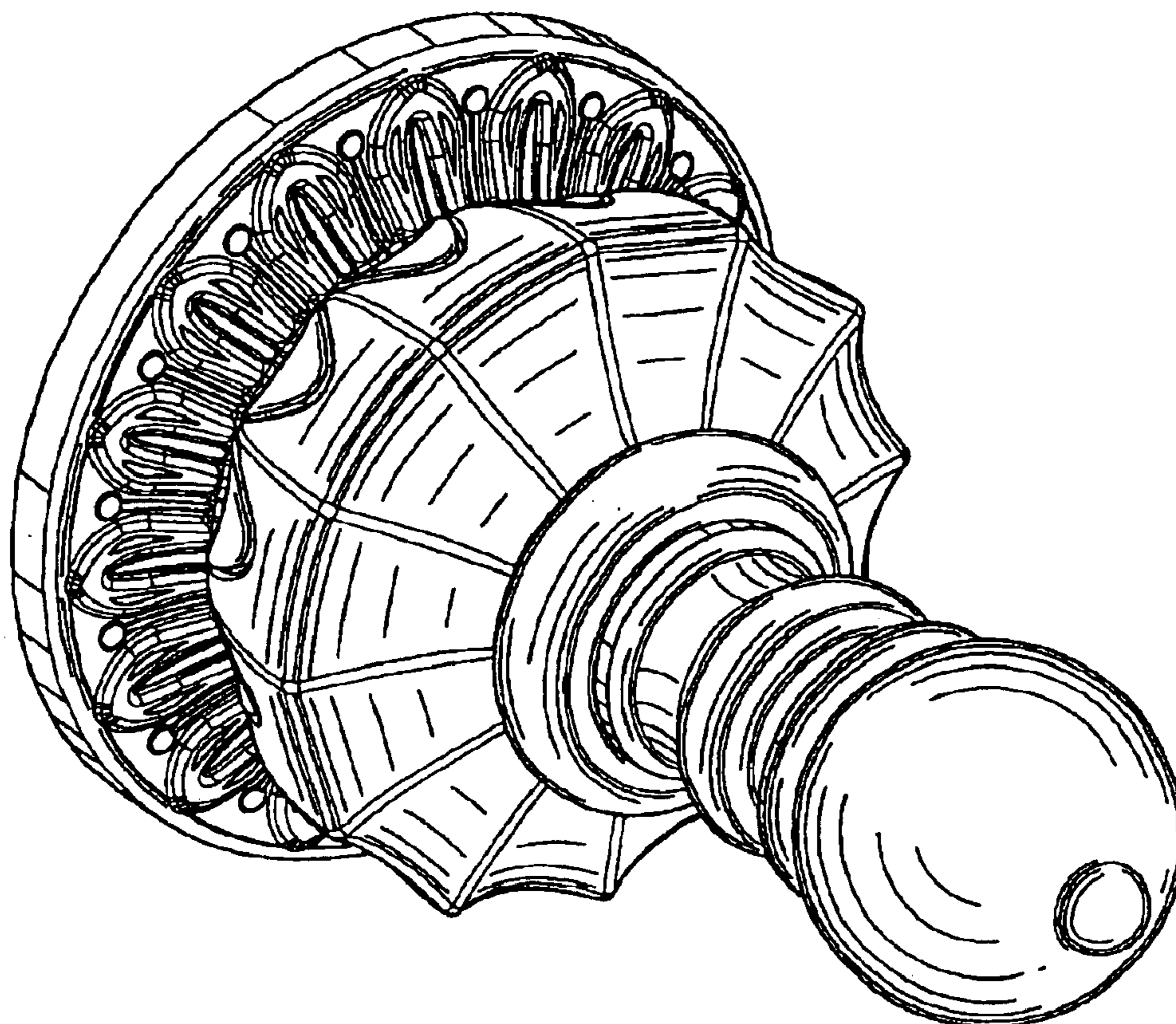


FIG - 1

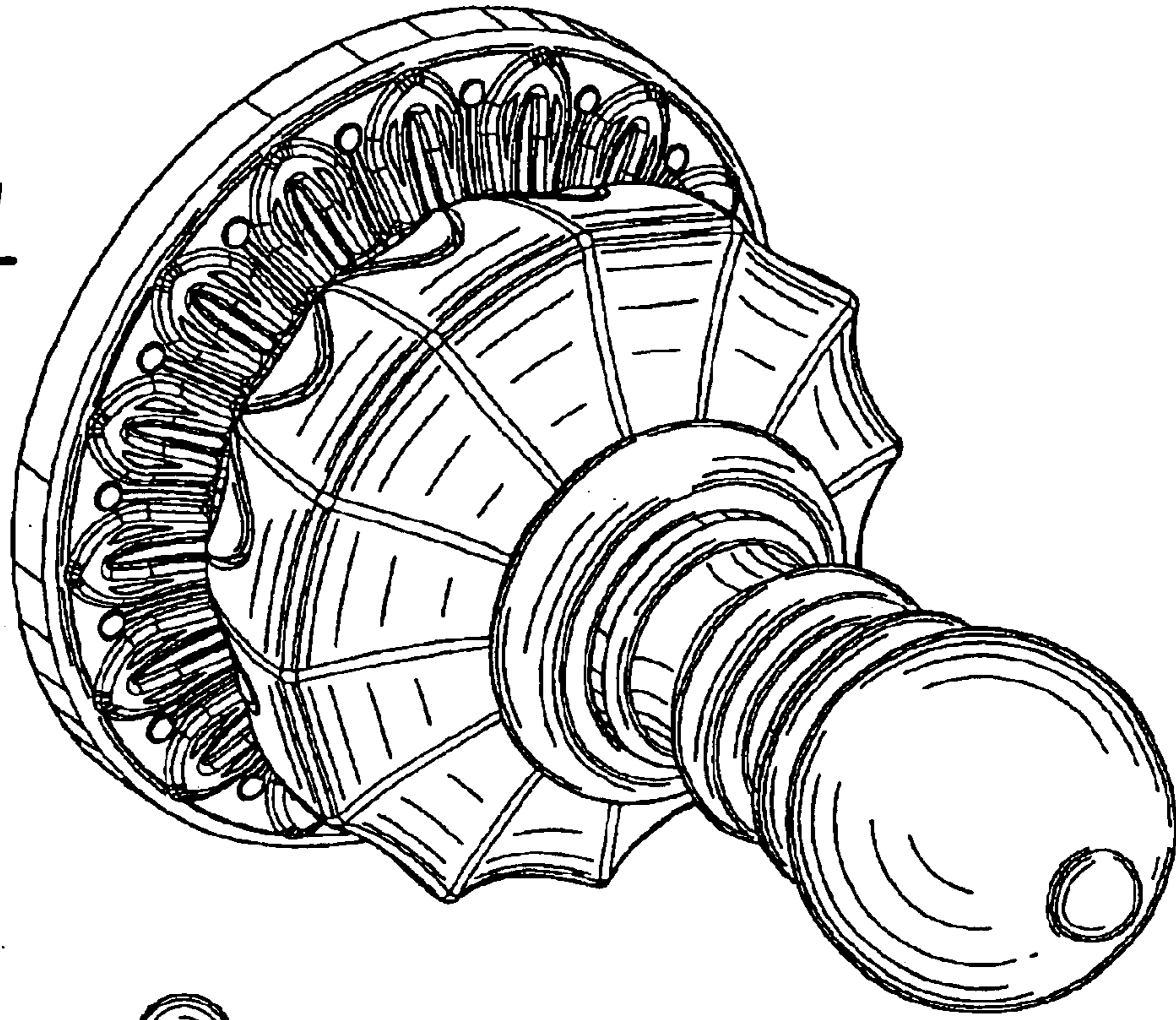


FIG - 2

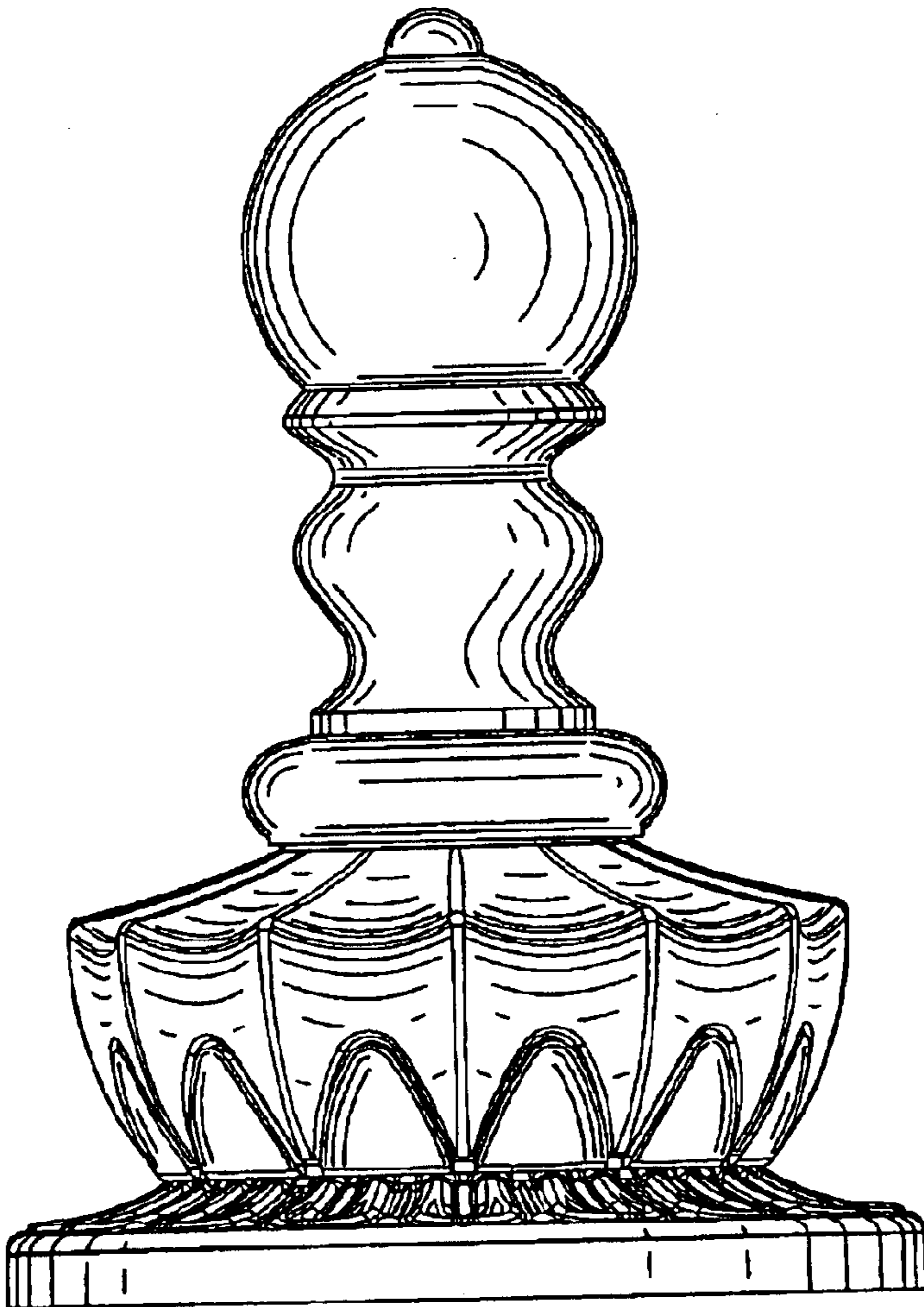


FIG - 3

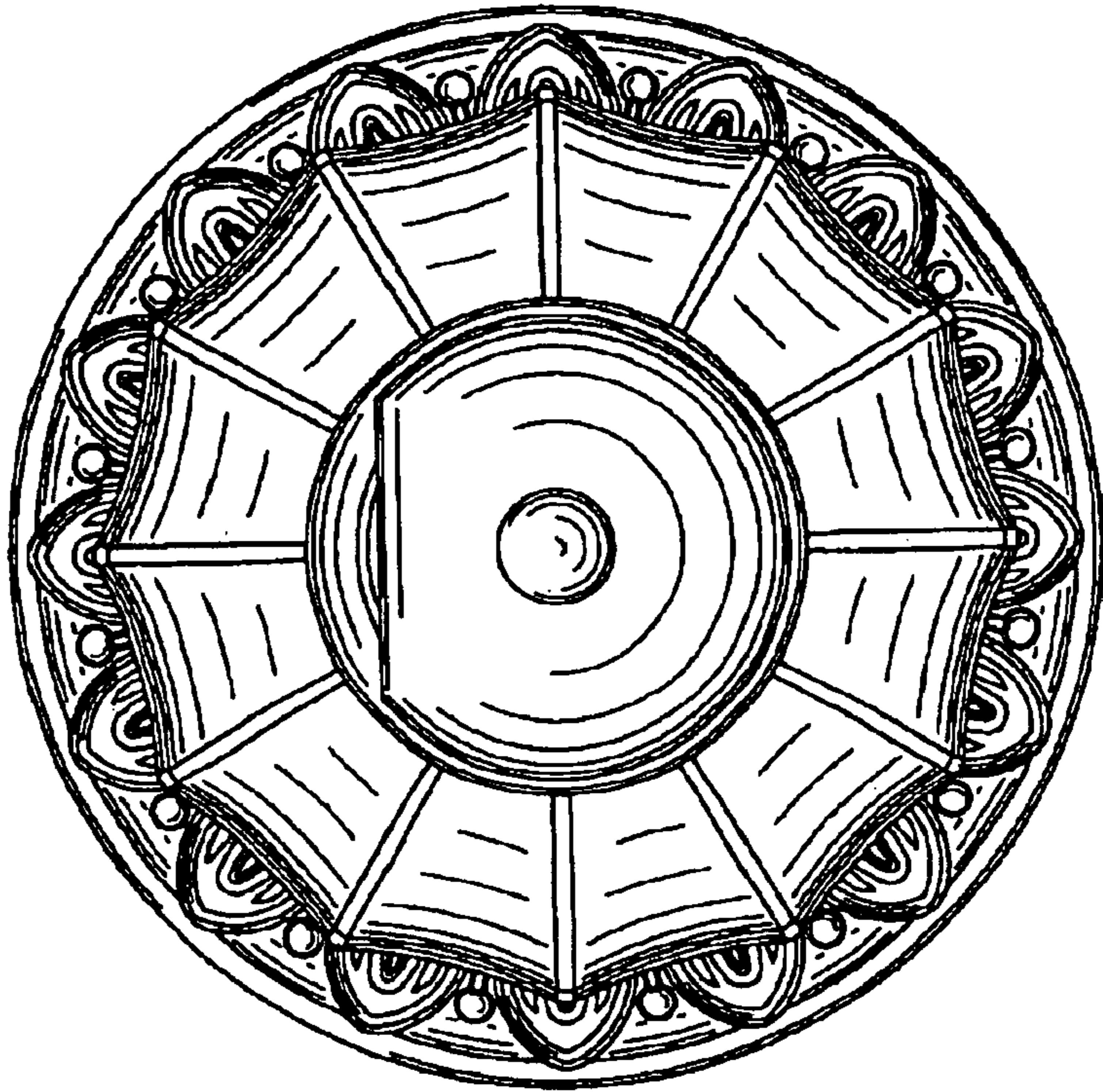
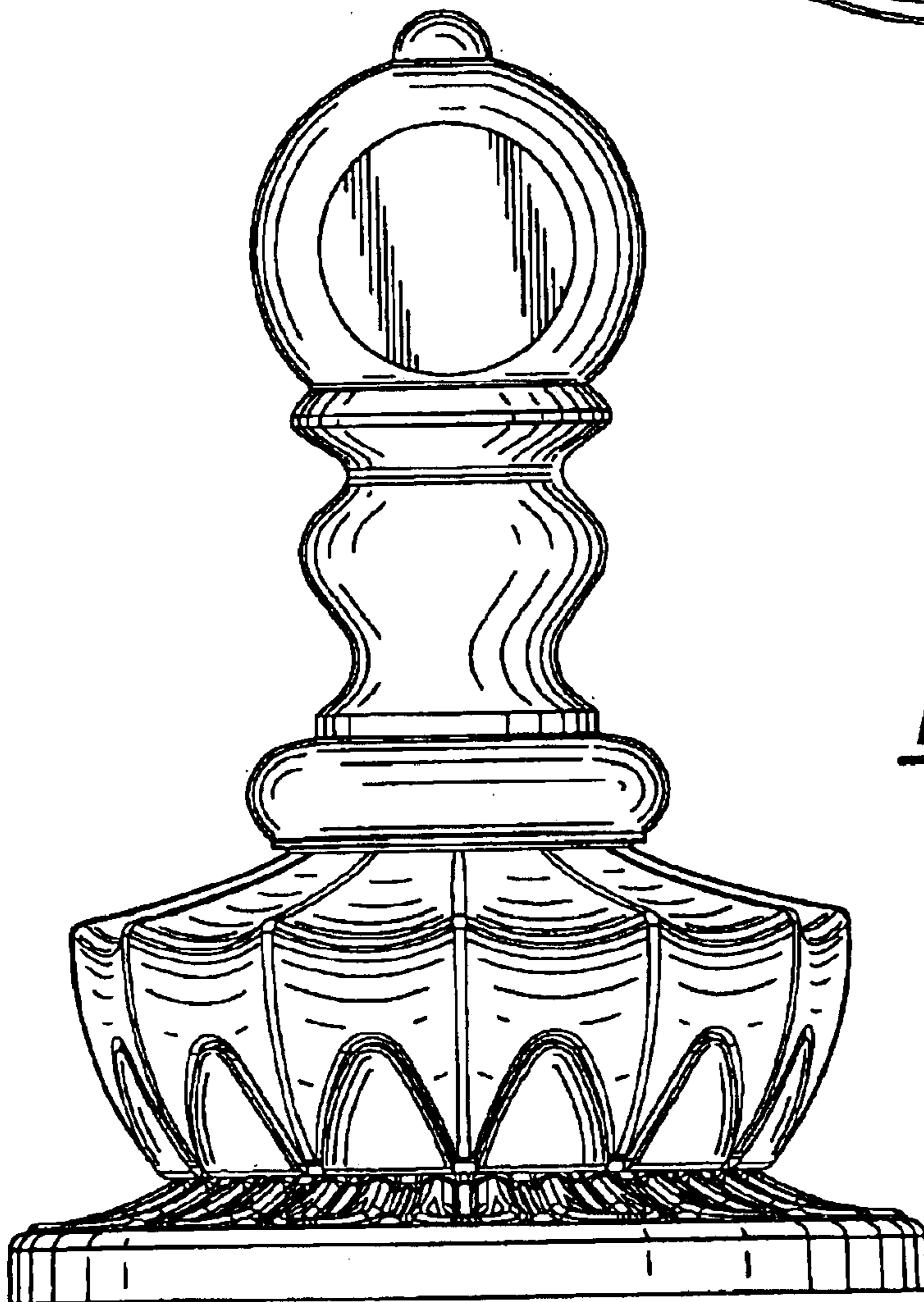


FIG - 4



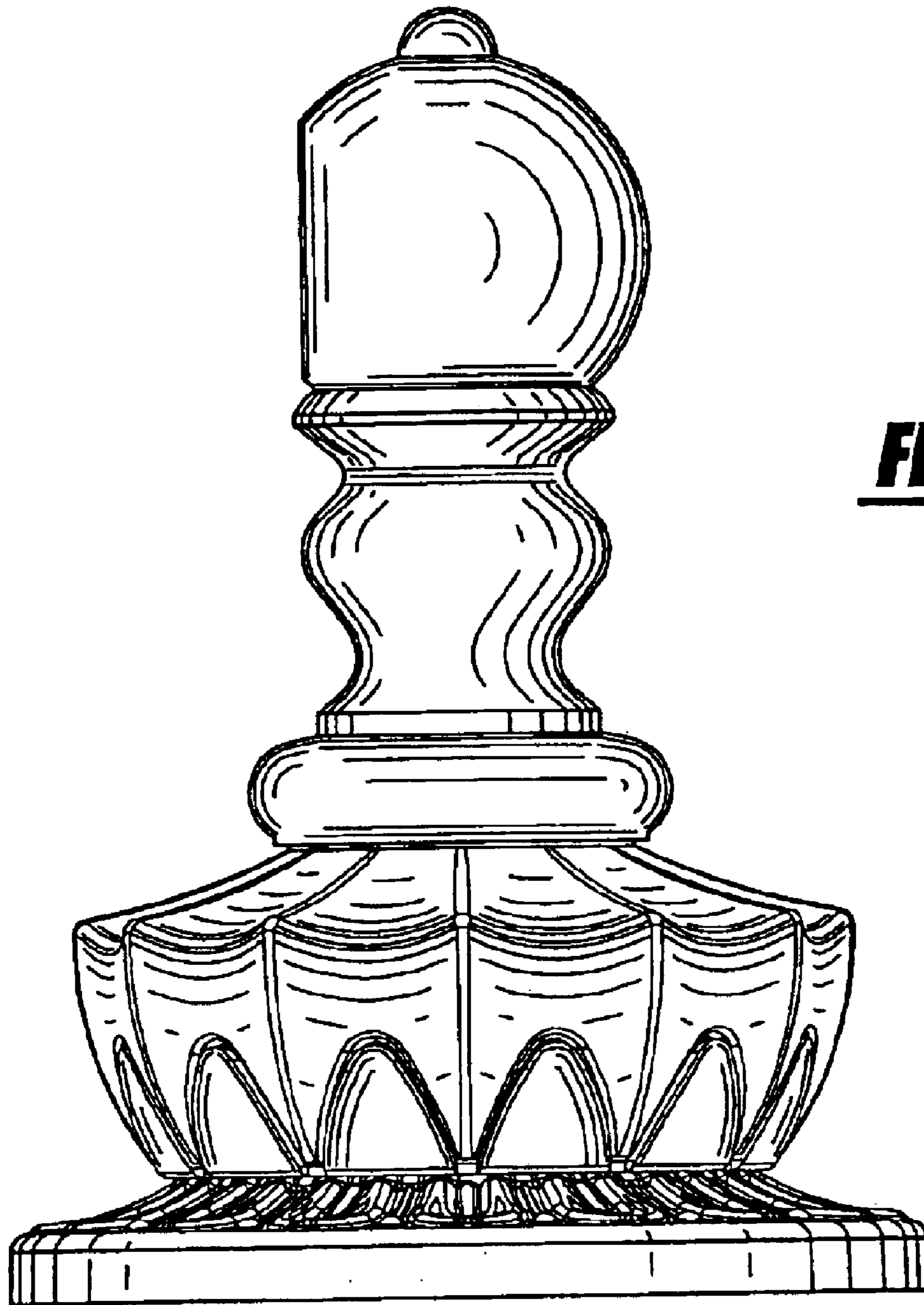


FIG - 5

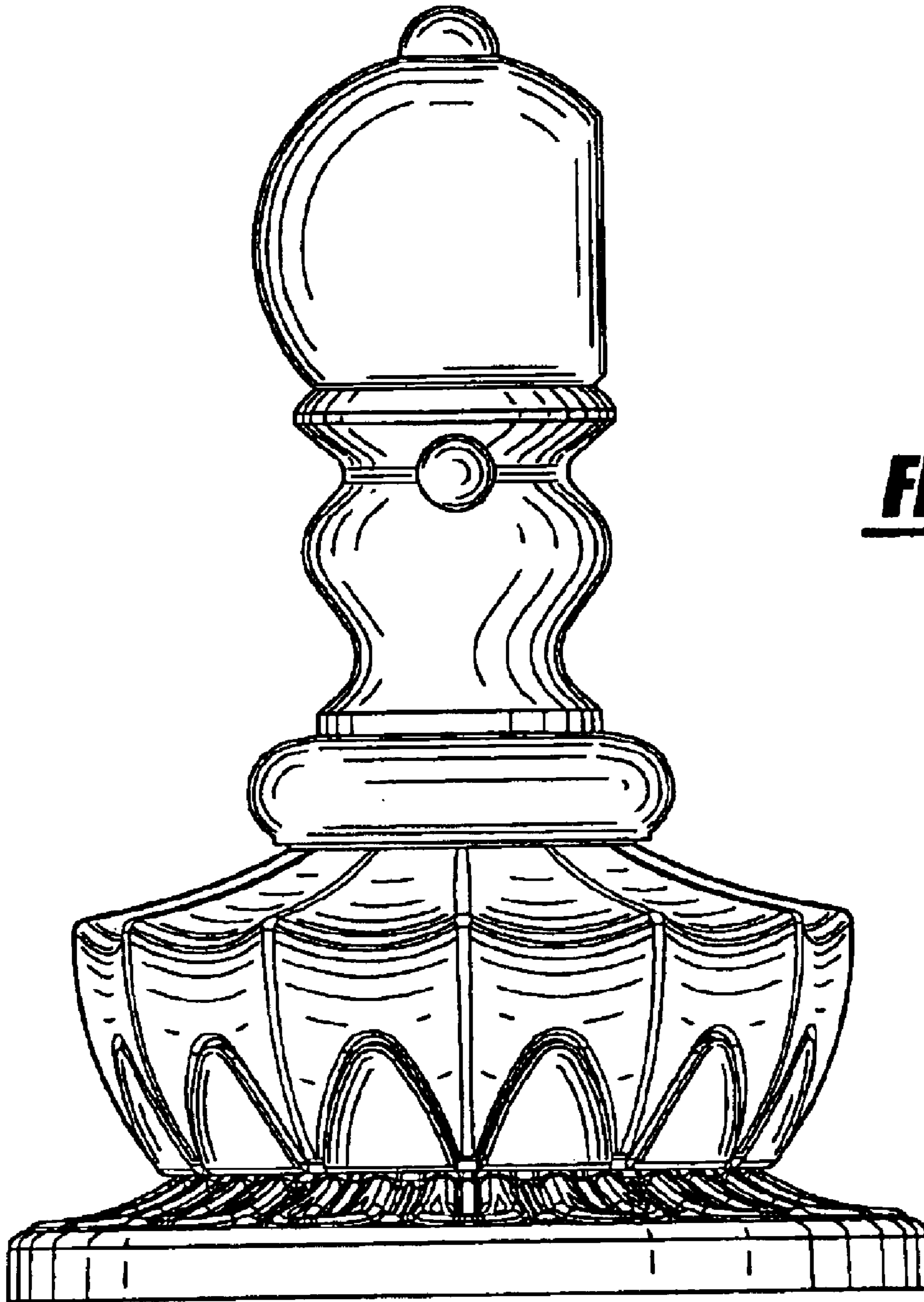


FIG - 6