

US00D492520S1

(12) **United States Design Patent**
Ho

(10) **Patent No.:** **US D492,520 S**

(45) **Date of Patent:** **** Jul. 6, 2004**

(54) **CHAIR ARM**

D468,564 S * 1/2003 Piretti et al. D6/500
D474,346 S * 5/2003 Saylor et al. D6/366

(76) Inventor: **Hsueh Yu Ho**, No. 198, Lane 401, Sec. 1, Yongsing Rd., Wuci Township, Taichung County (TW)

* cited by examiner

(**) Term: **14 Years**

Primary Examiner—Gary D. Watson
(74) *Attorney, Agent, or Firm*—Rosenberg, Klein & Lee

(21) Appl. No.: **29/190,522**

(57) **CLAIM**

(22) Filed: **Sep. 23, 2003**

The ornamental design for a chair arm, as shown and described.

(51) **LOC (7) Cl.** **06-01**

DESCRIPTION

(52) **U.S. Cl.** **D6/501; D6/366**

FIG. 1 is a perspective view of a chair arm showing my new design, wherein the broken line portion is for illustrative purpose only and forms no part of the claimed design.

(58) **Field of Search** D6/334, 335, 364, D6/365, 366, 367, 379, 500, 501, 502; 297/411.2, 411.27, 411.36

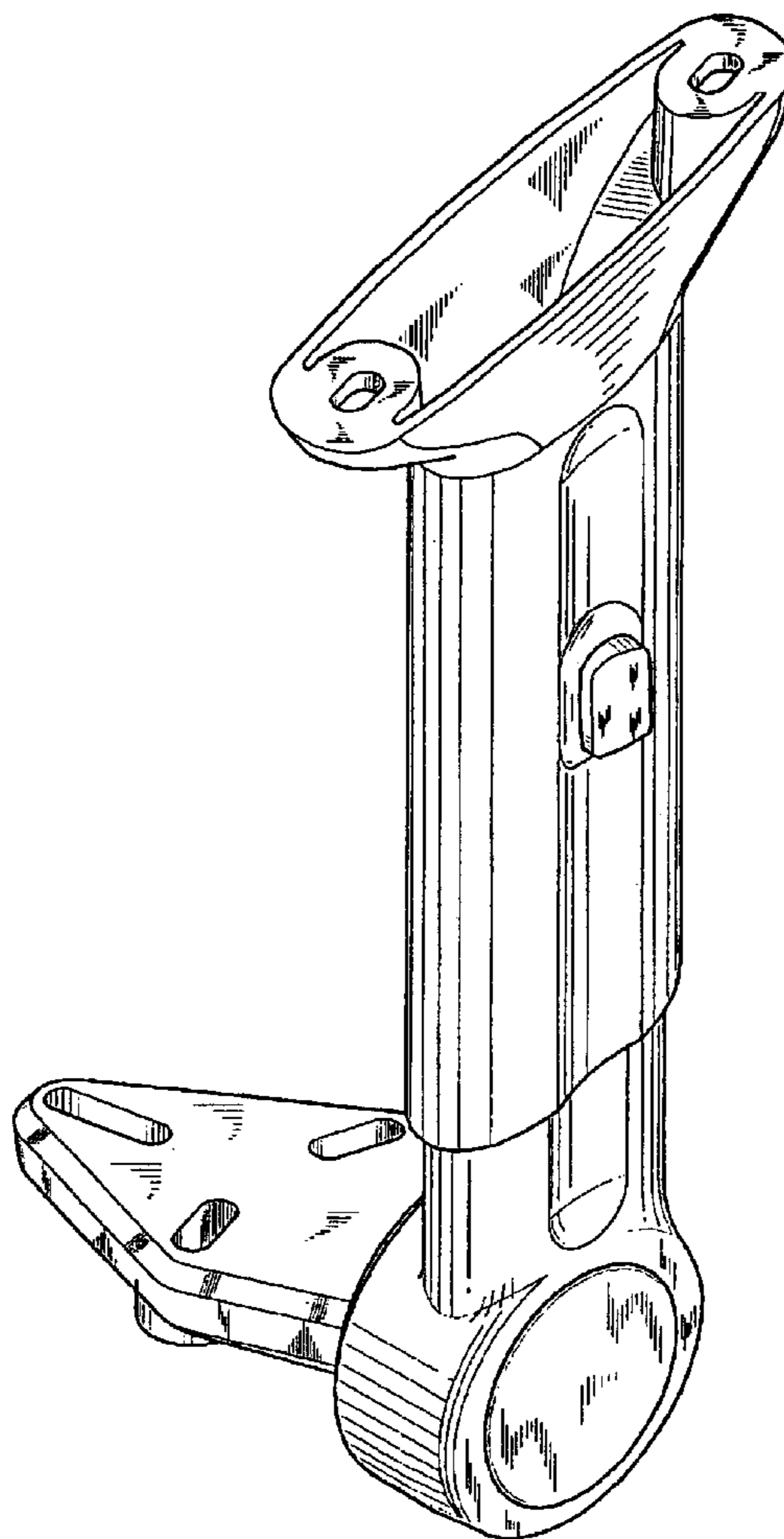
FIG. 2 is a perspective view of the chair arm;
FIG. 3 is a front elevational view of the chair arm;
FIG. 4 is a rear elevational view of the chair arm;
FIG. 5 is a left side view of the chair arm;
FIG. 6 is a right side view of the chair arm;
FIG. 7 is a top plan view of the chair arm; and,
FIG. 8 is a bottom plan view of the chair arm.

(56) **References Cited**

U.S. PATENT DOCUMENTS

D398,174 S * 9/1998 Fahnstrom et al. D6/501
D411,396 S * 6/1999 Stumpf D6/501
D442,790 S * 5/2001 Simons et al. D6/366
D446,062 S * 8/2001 Su D6/501
D450,958 S * 11/2001 Beaulieu D6/501

1 Claim, 8 Drawing Sheets



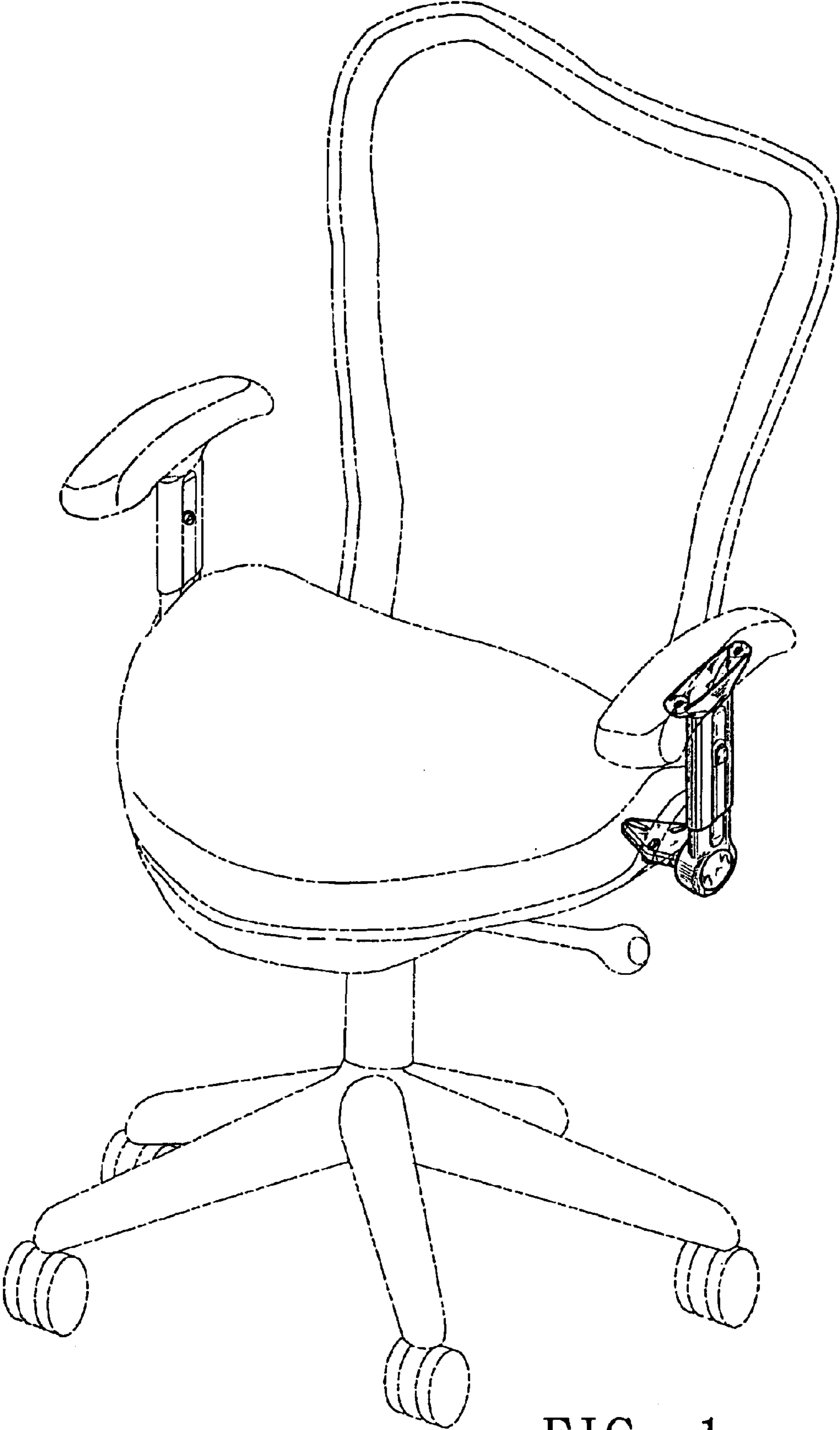


FIG. 1

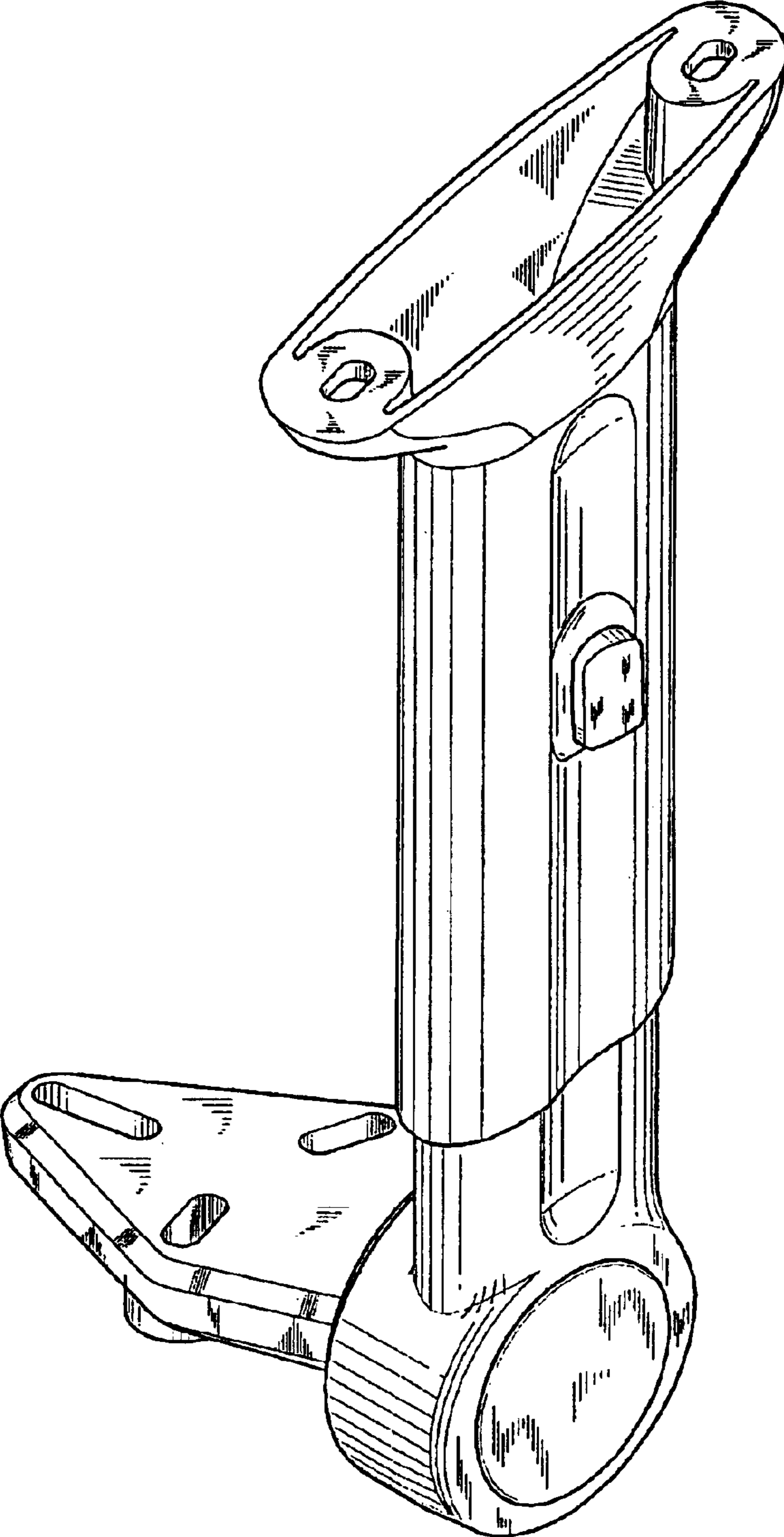


FIG. 2

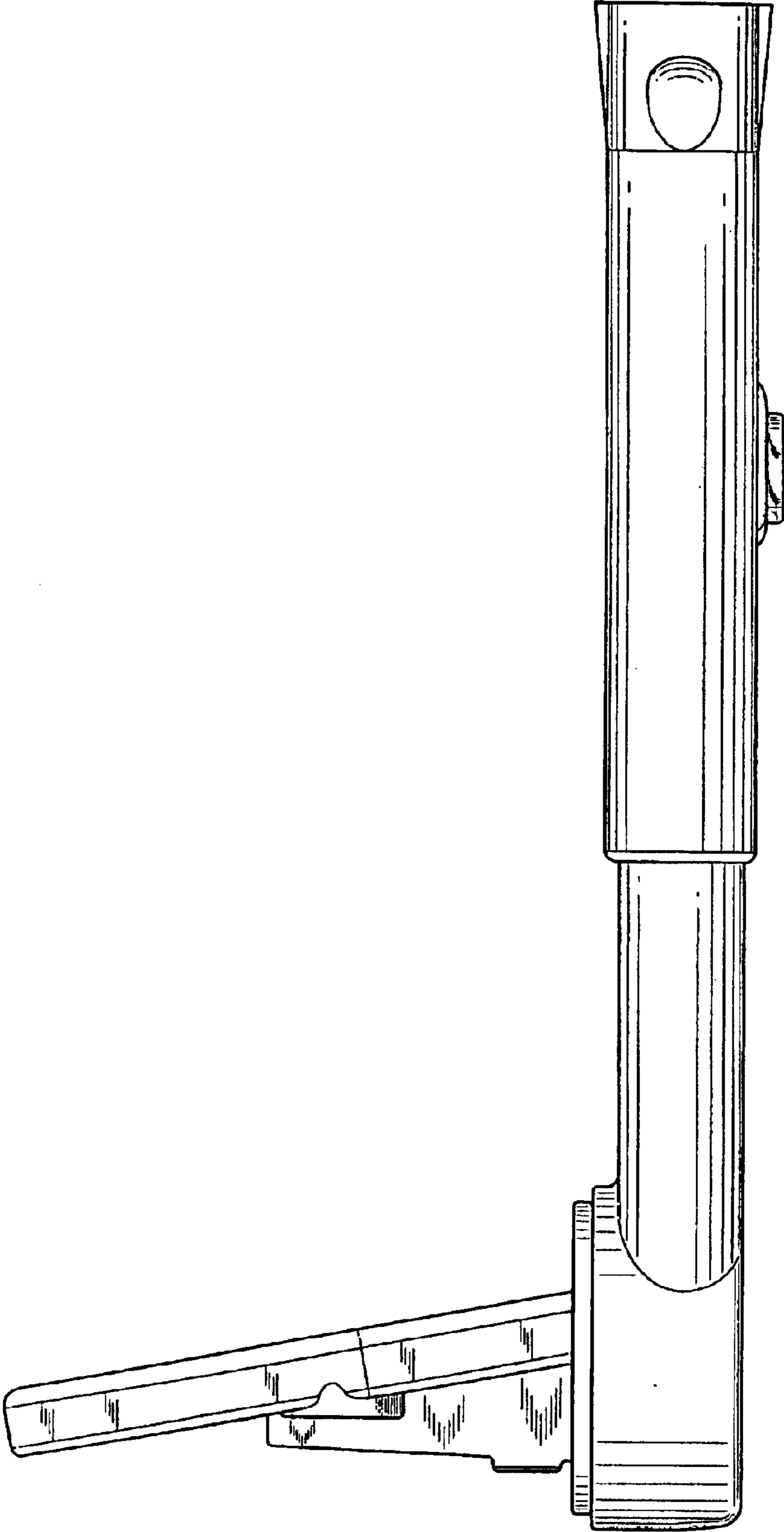


FIG. 3

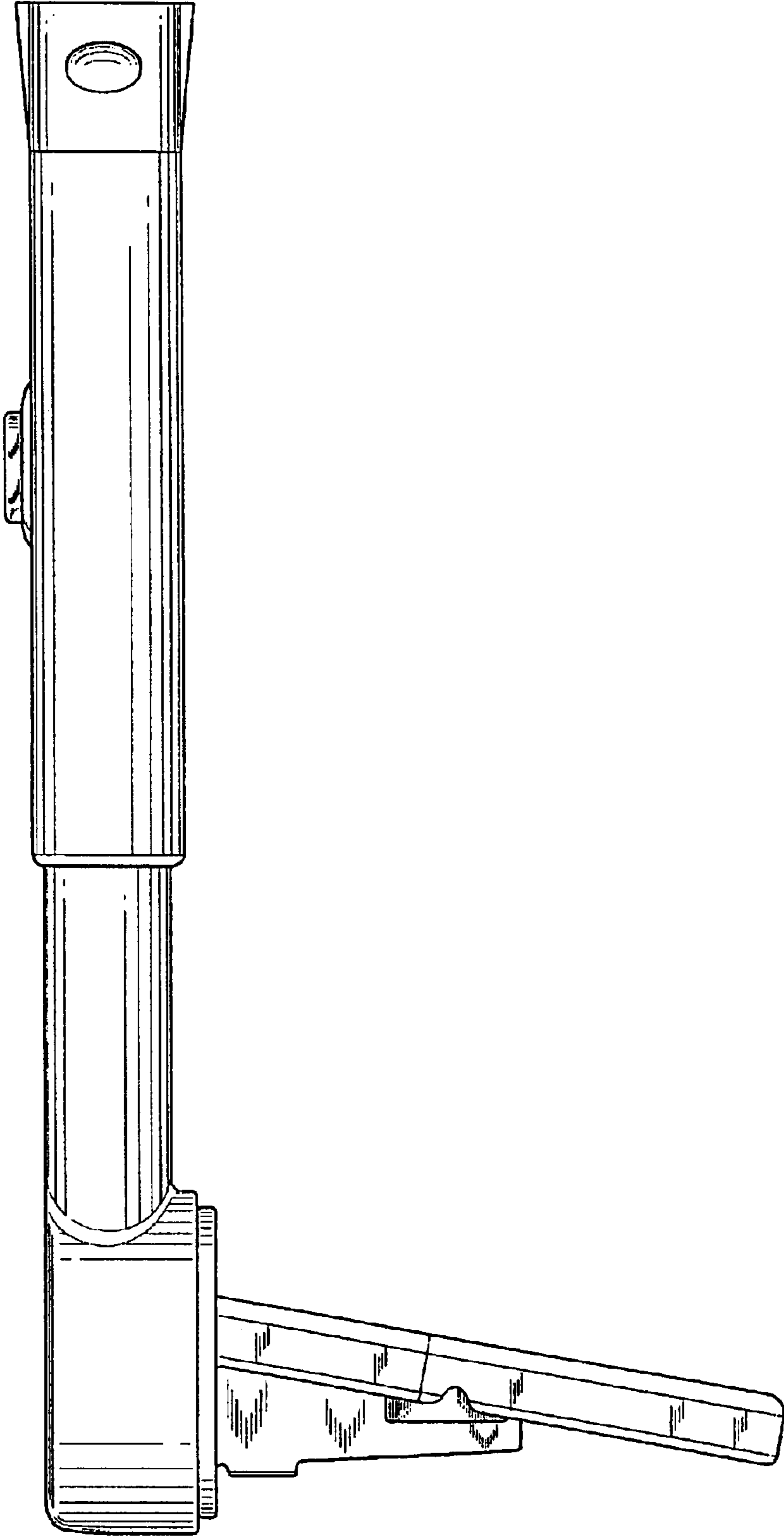


FIG. 4

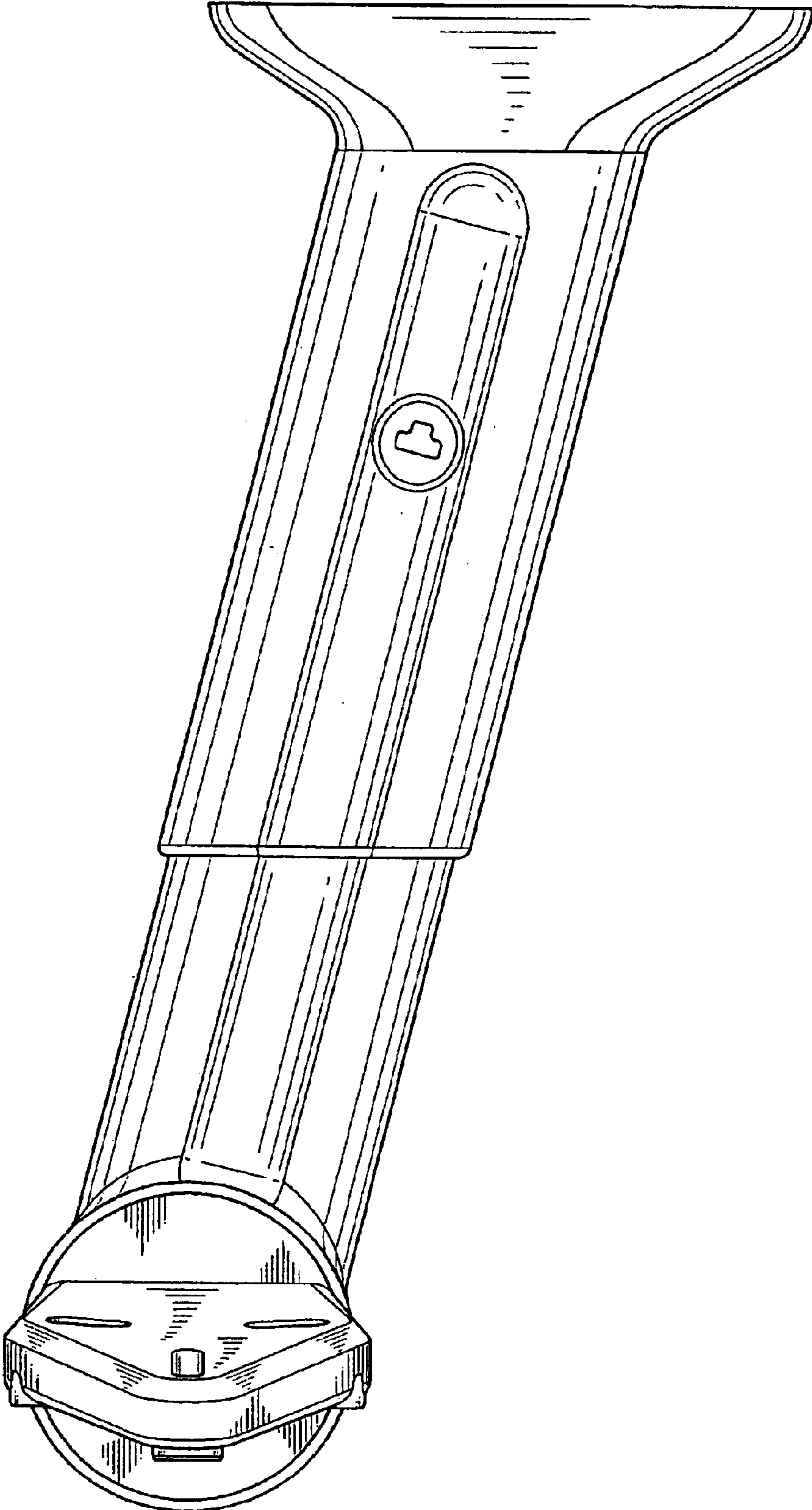


FIG. 5

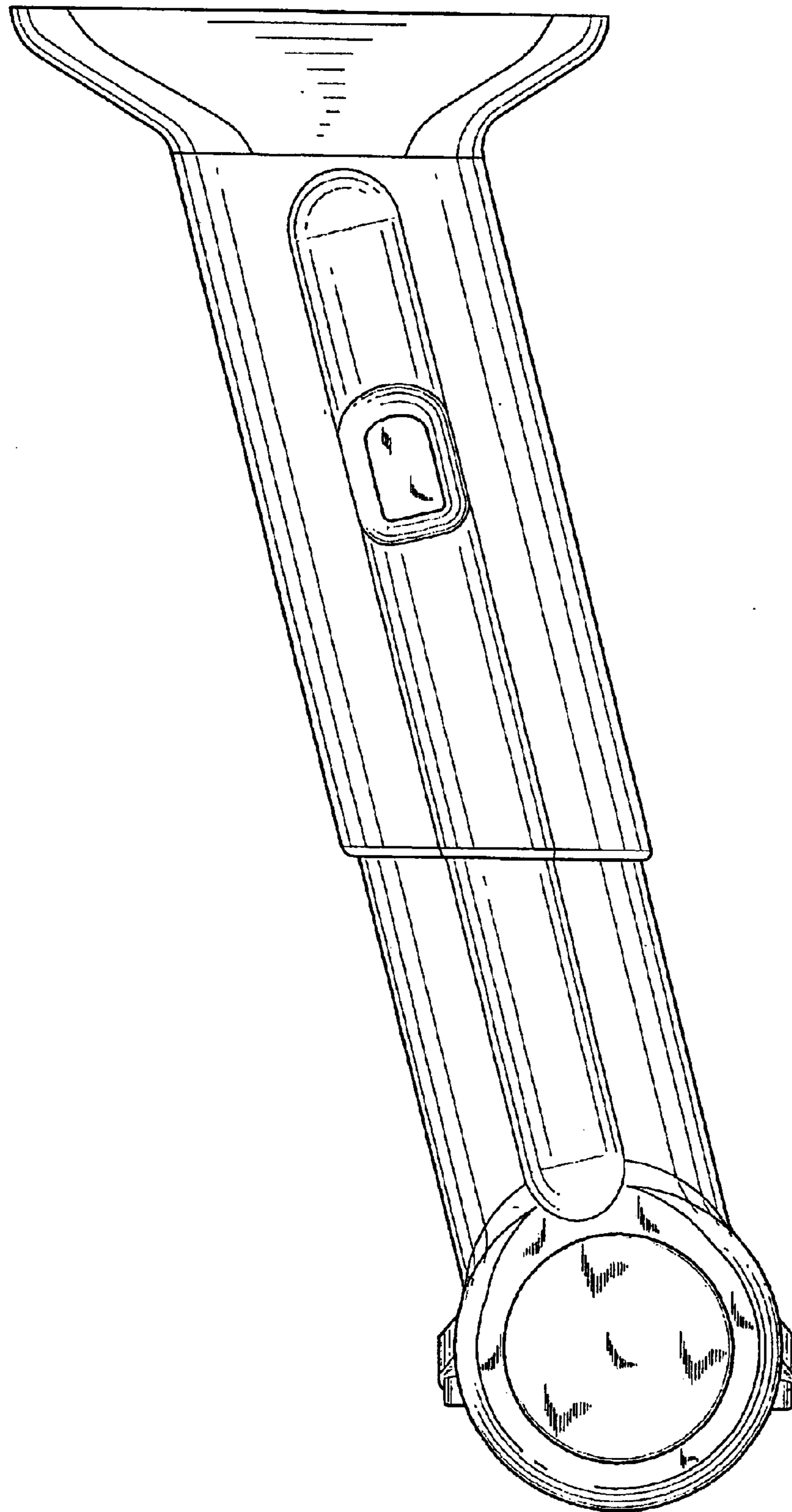


FIG. 6

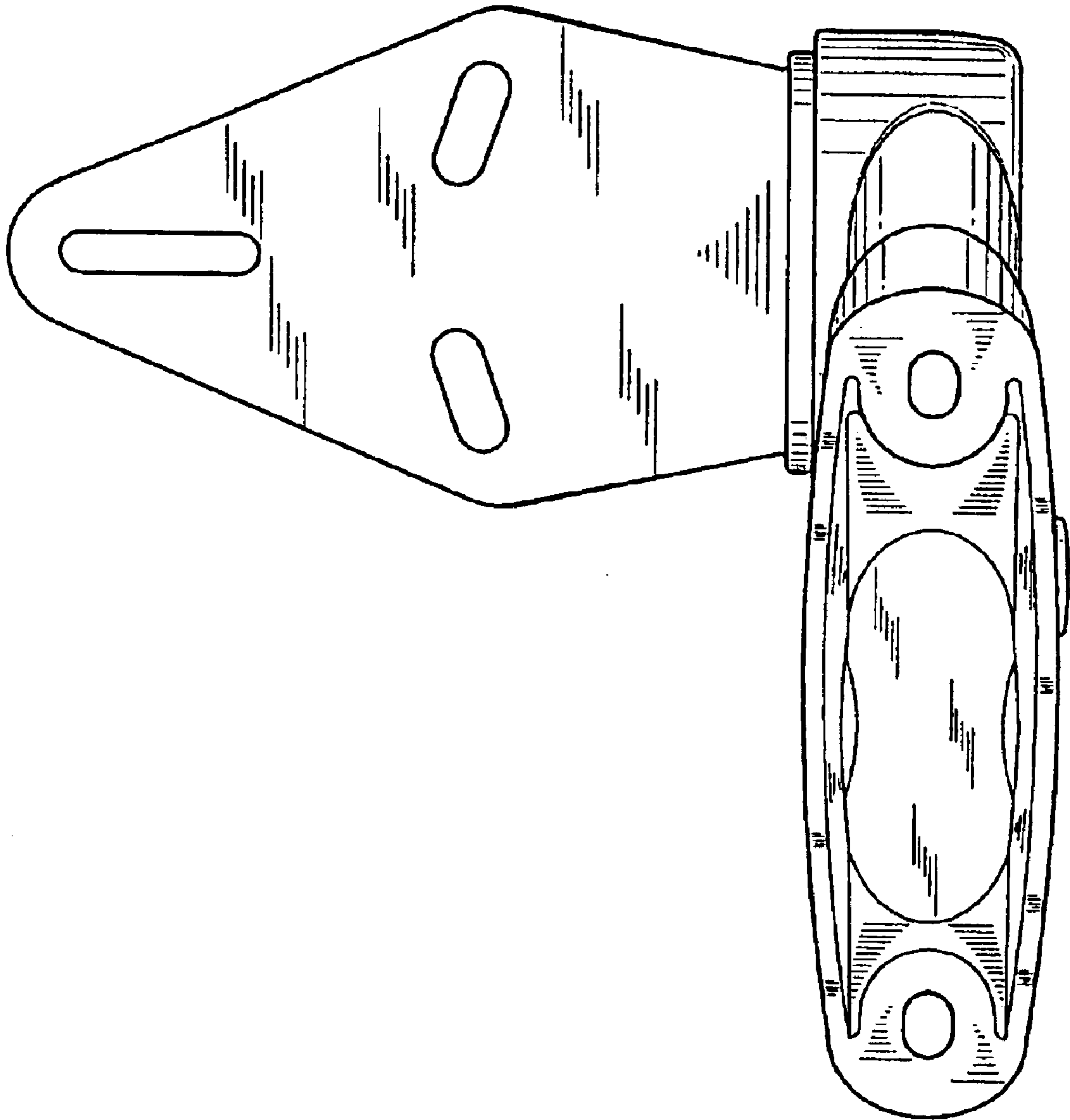


FIG. 7

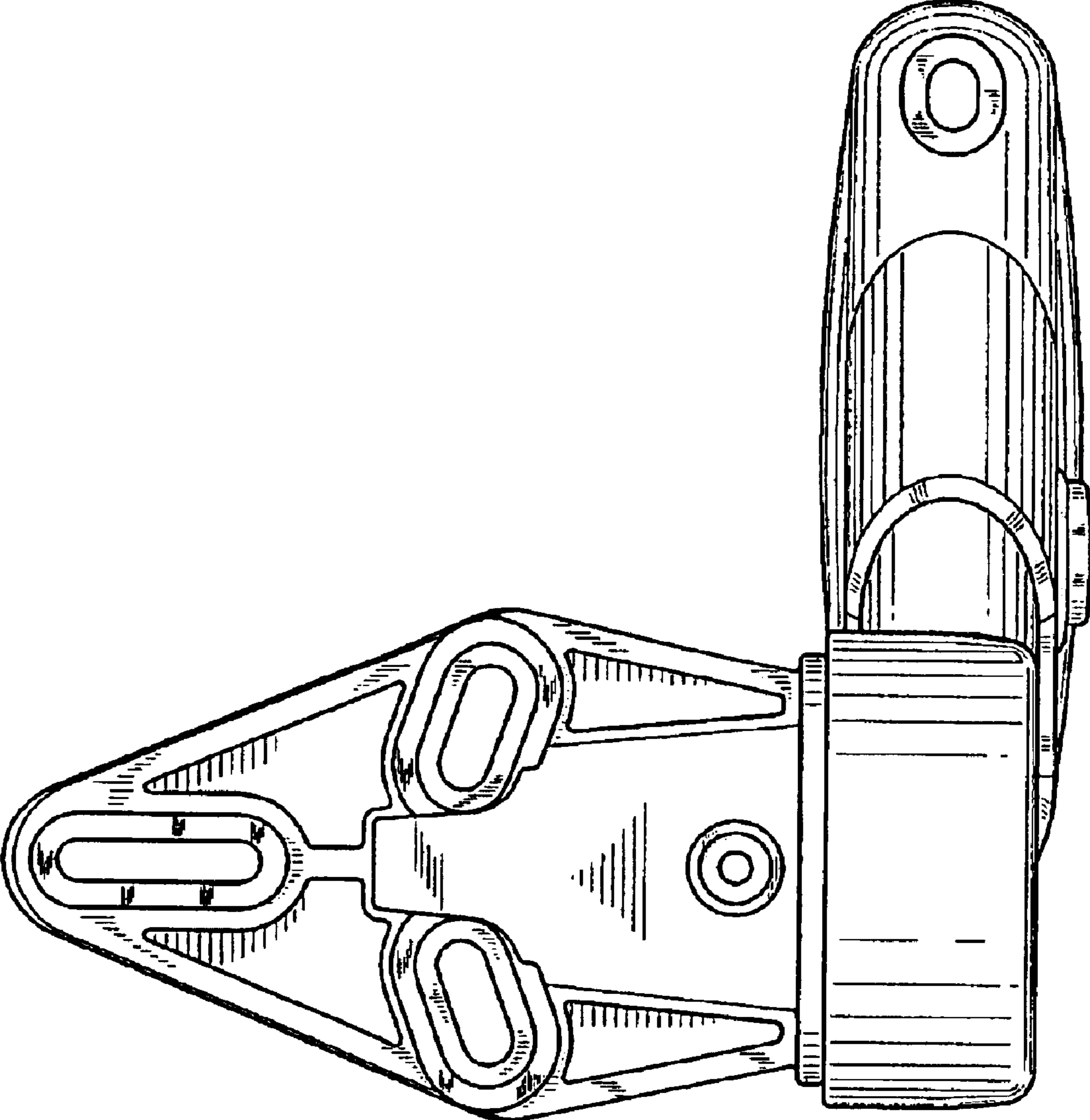


FIG. 8