



US00D492517S1

(12) **United States Design Patent** (10) **Patent No.:** **US D492,517 S**  
**Risdon et al.** (45) **Date of Patent:** **\*\* Jul. 6, 2004**

(54) **TABLE BASE**

(75) Inventors: **Scott M. Risdon**, Greensboro, NC (US); **Timothy M. O'Hare**, Oak Ridge, NC (US)

(73) Assignee: **Pennsylvania House, Inc.**, Greensboro, NC (US)

(\*\*) Term: **14 Years**

(21) Appl. No.: **29/176,457**

(22) Filed: **Feb. 21, 2003**

(51) **LOC (7) Cl.** ..... **06-06**

(52) **U.S. Cl.** ..... **D6/495**

(58) **Field of Search** ..... D6/480-489, 495-499; 108/150, 153.1, 155, 156, 157, 161; 248/188, 188.1, 188.7, 188.8

(56) **References Cited**

**U.S. PATENT DOCUMENTS**

D82,739 S	*	12/1930	French	.....	D6/480
D87,785 S	*	9/1932	Kleaver	.....	D6/486
3,194,189 A	*	7/1965	Bailey	.....	108/150
D356,912 S	*	4/1995	Tatum et al.	.....	D6/486
D385,730 S	*	11/1997	Paus	.....	D6/480

\* cited by examiner

*Primary Examiner*—Janice Seeger  
(74) *Attorney, Agent, or Firm*—Harness, Dickey & Pierce, P.L.C.

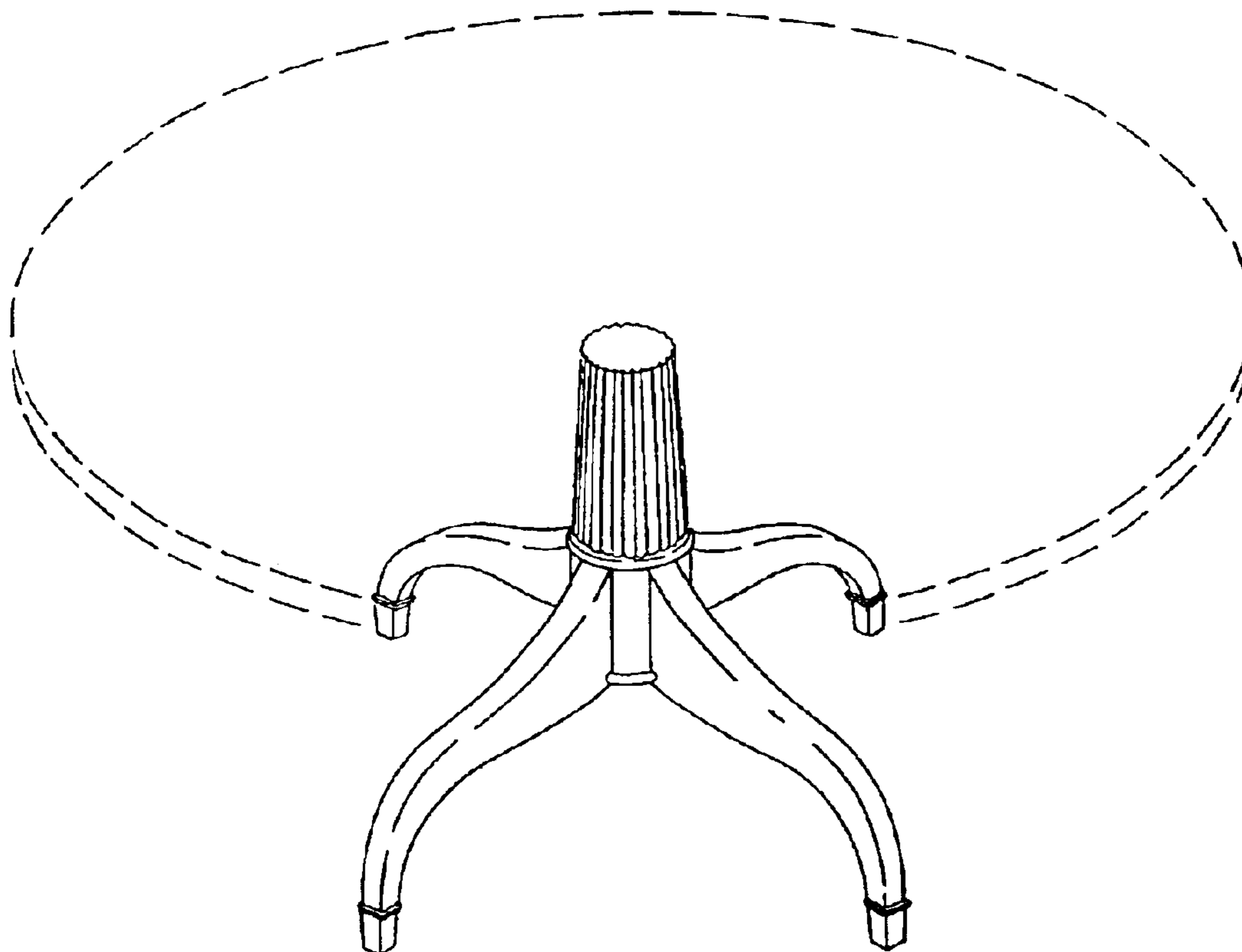
(57) **CLAIM**

The ornamental design for the table base, as shown and described.

**DESCRIPTION**

FIG. 1 is a perspective view of a table base in accordance with the present invention;  
 FIG. 2 is a front view of the table base, the back, left, and right side being a mirror image thereof;  
 FIG. 3 is a top view of the table base, the bottom of the table base is not illustrated as it forms no part of the present invention;  
 FIG. 4 is a cross-sectional view taken along line 4—4 in FIG. 2;  
 FIG. 5 is a front elevational view showing a second embodiment of our new design;  
 FIG. 6 is a top plan view thereof, the bottom forms no part of the claimed design;  
 FIG. 7 is a front elevational view, the rear, left, and right being a mirror image thereof; and,  
 FIG. 8 is a top view thereof.  
 The broken lines are for environmental purposes only and form no part of the claimed design.

**1 Claim, 5 Drawing Sheets**



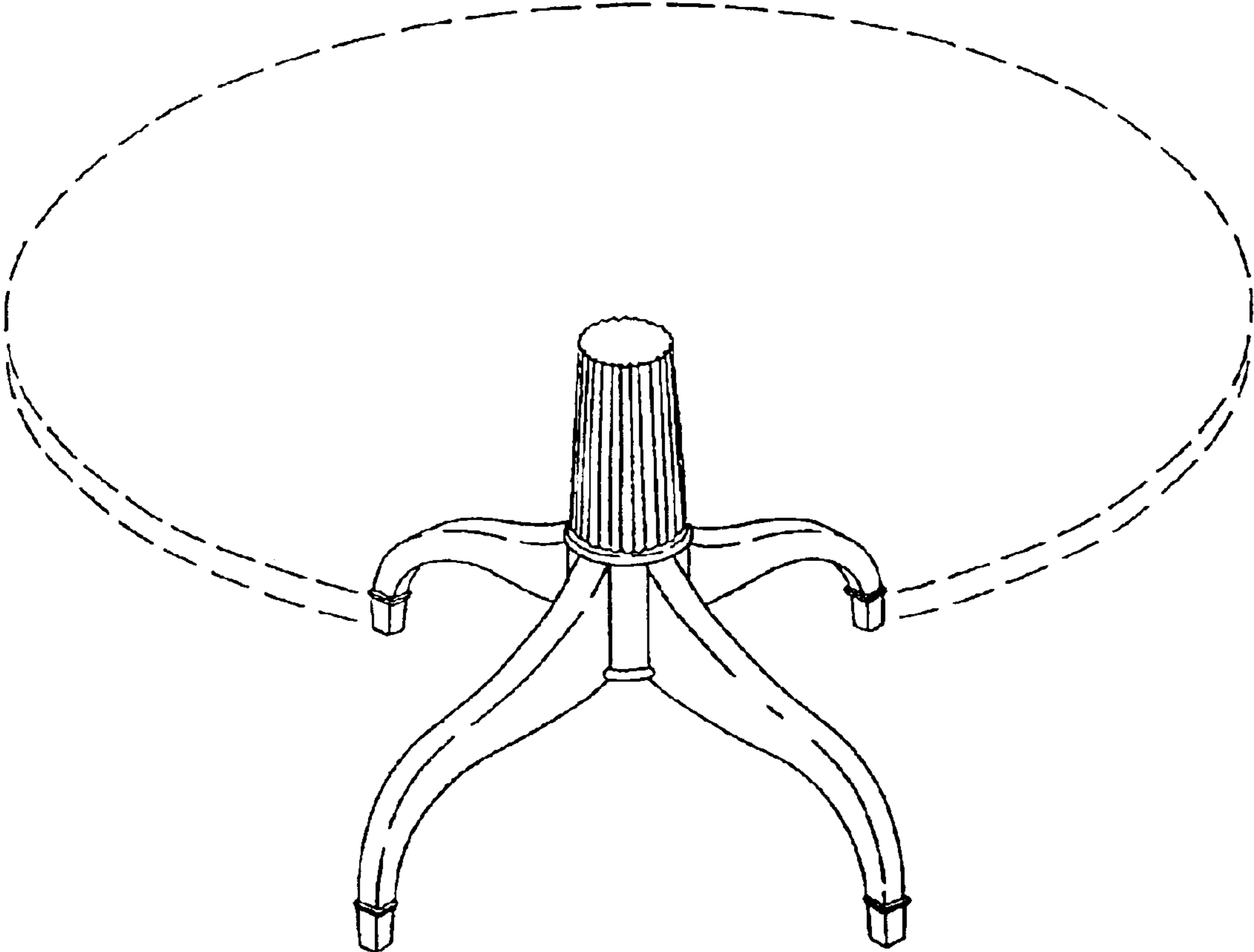
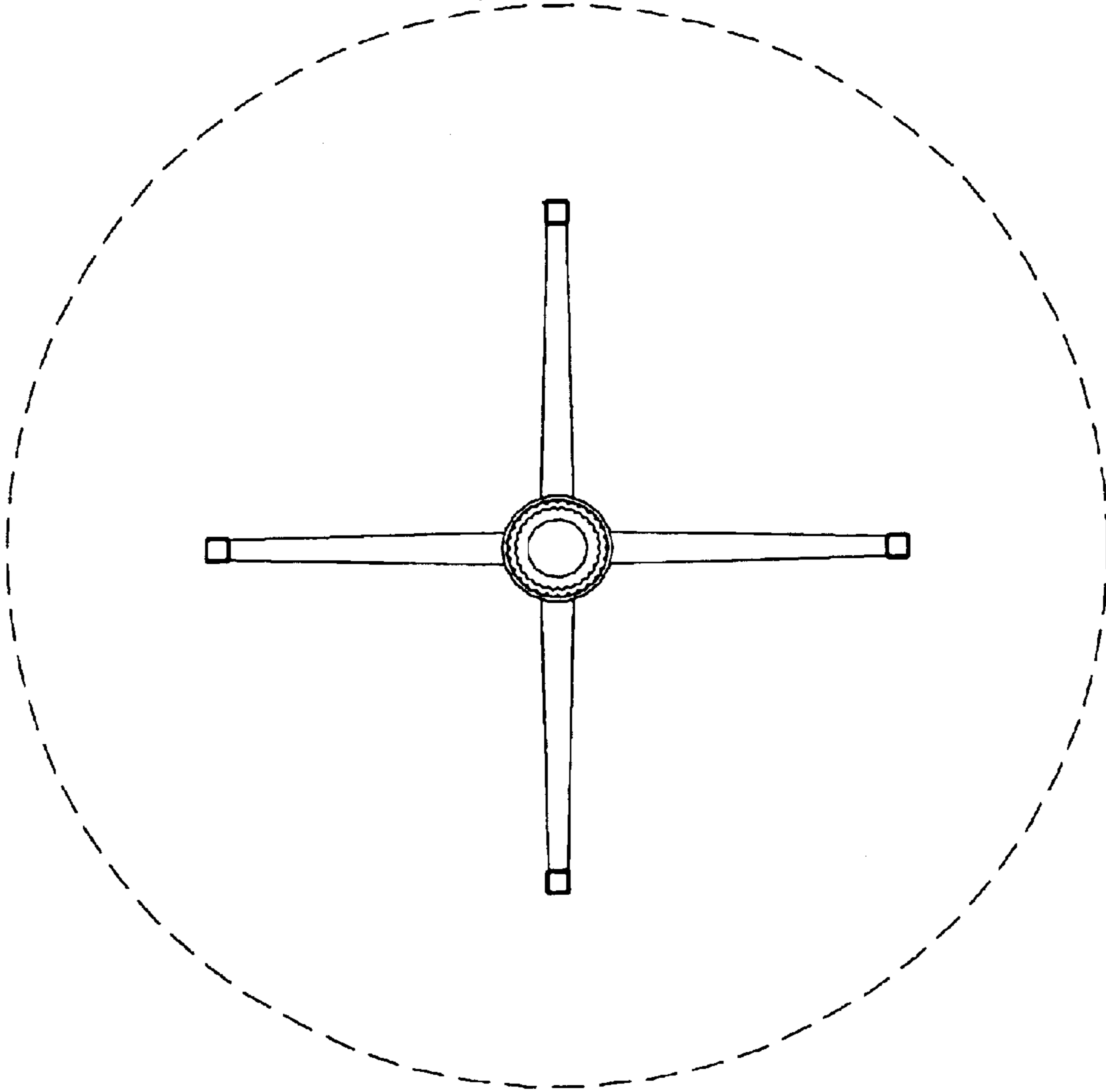


Figure 1

Figure 3



4

4

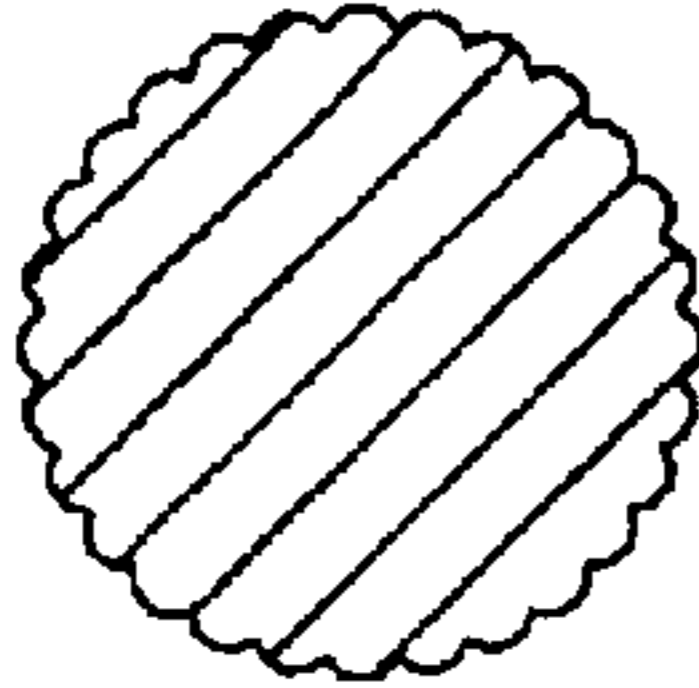


Figure 4

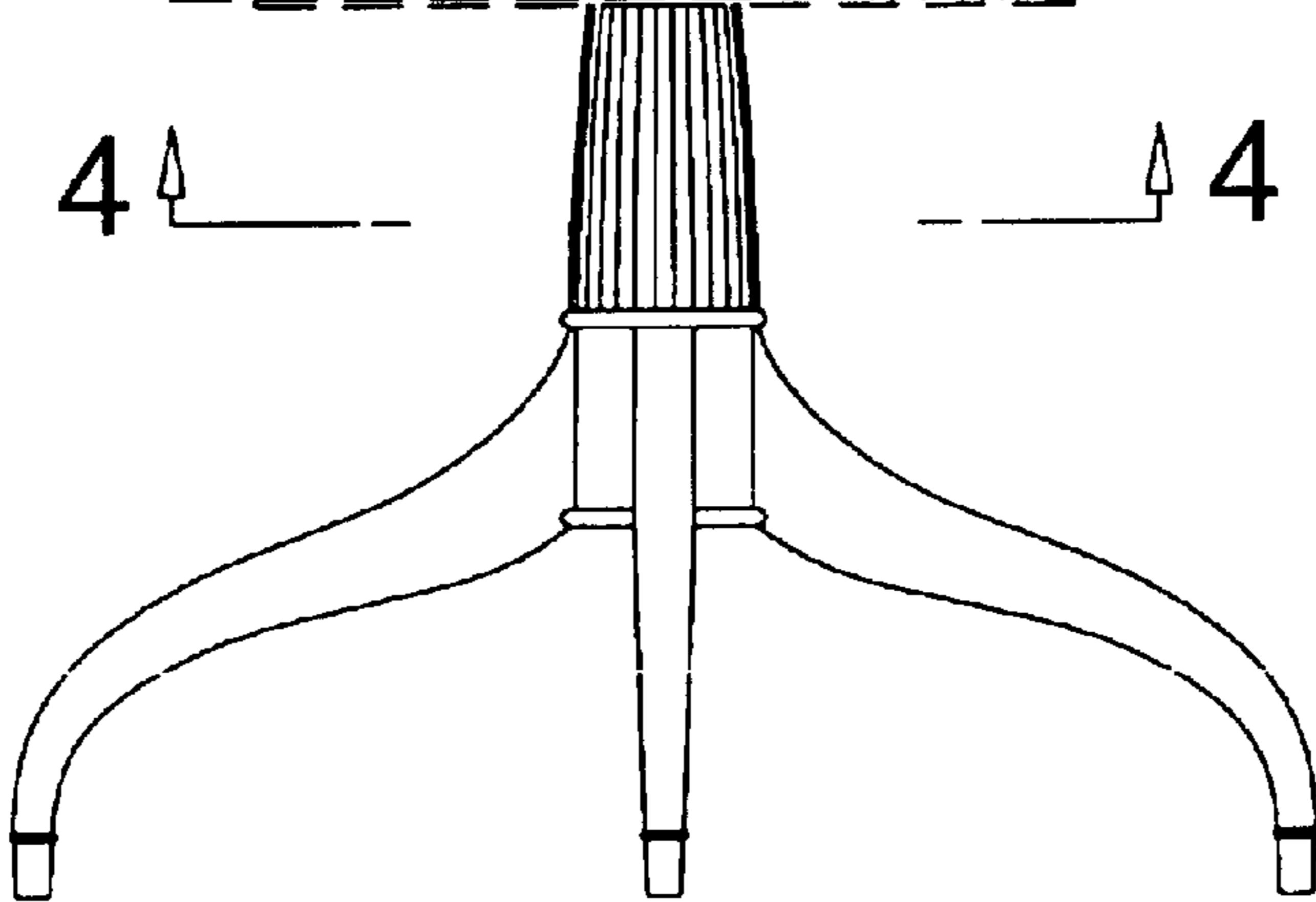


Figure 2

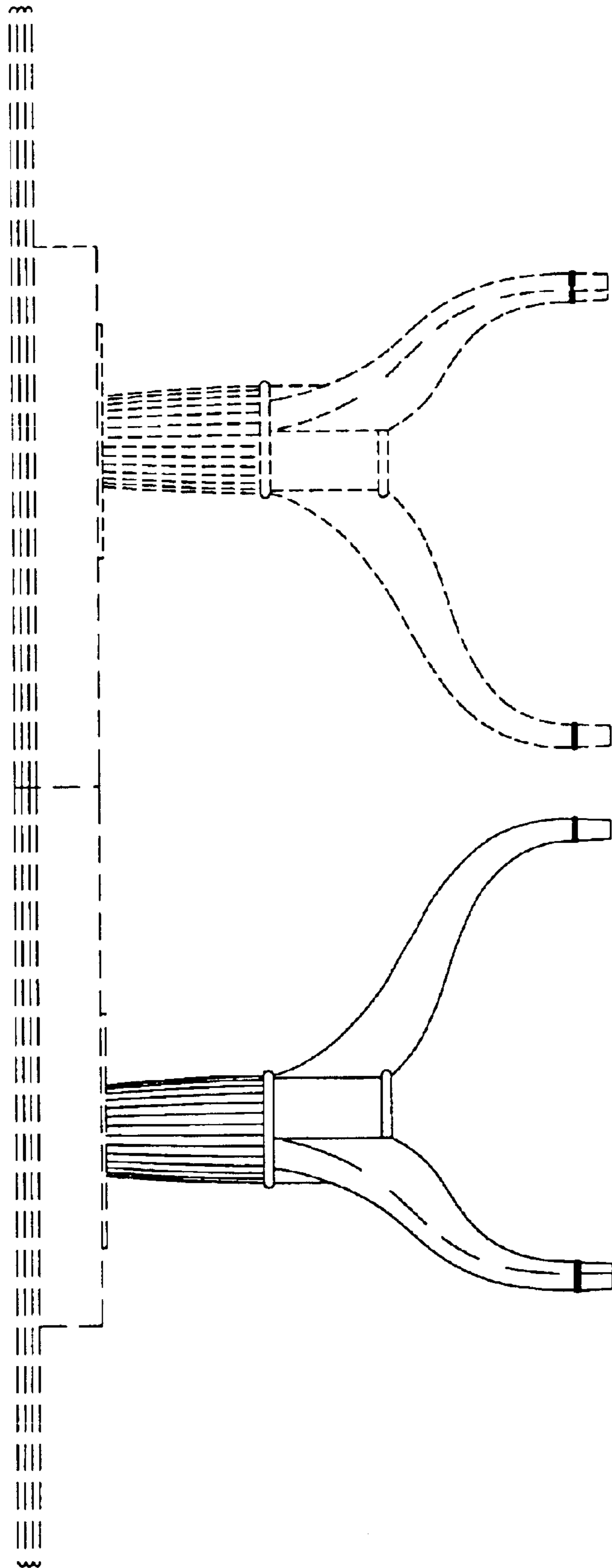


Figure 5

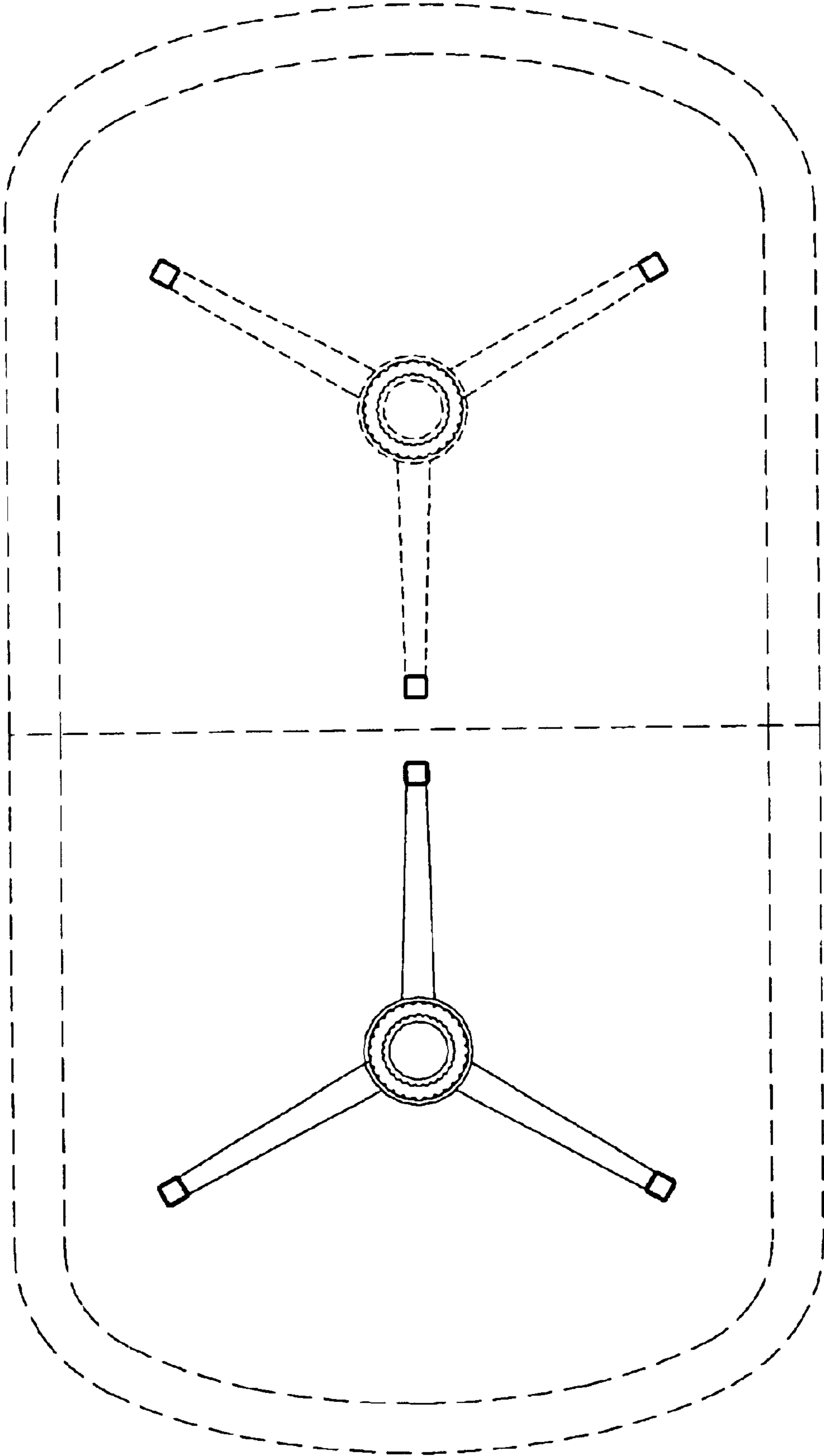


Figure 6

Figure 8

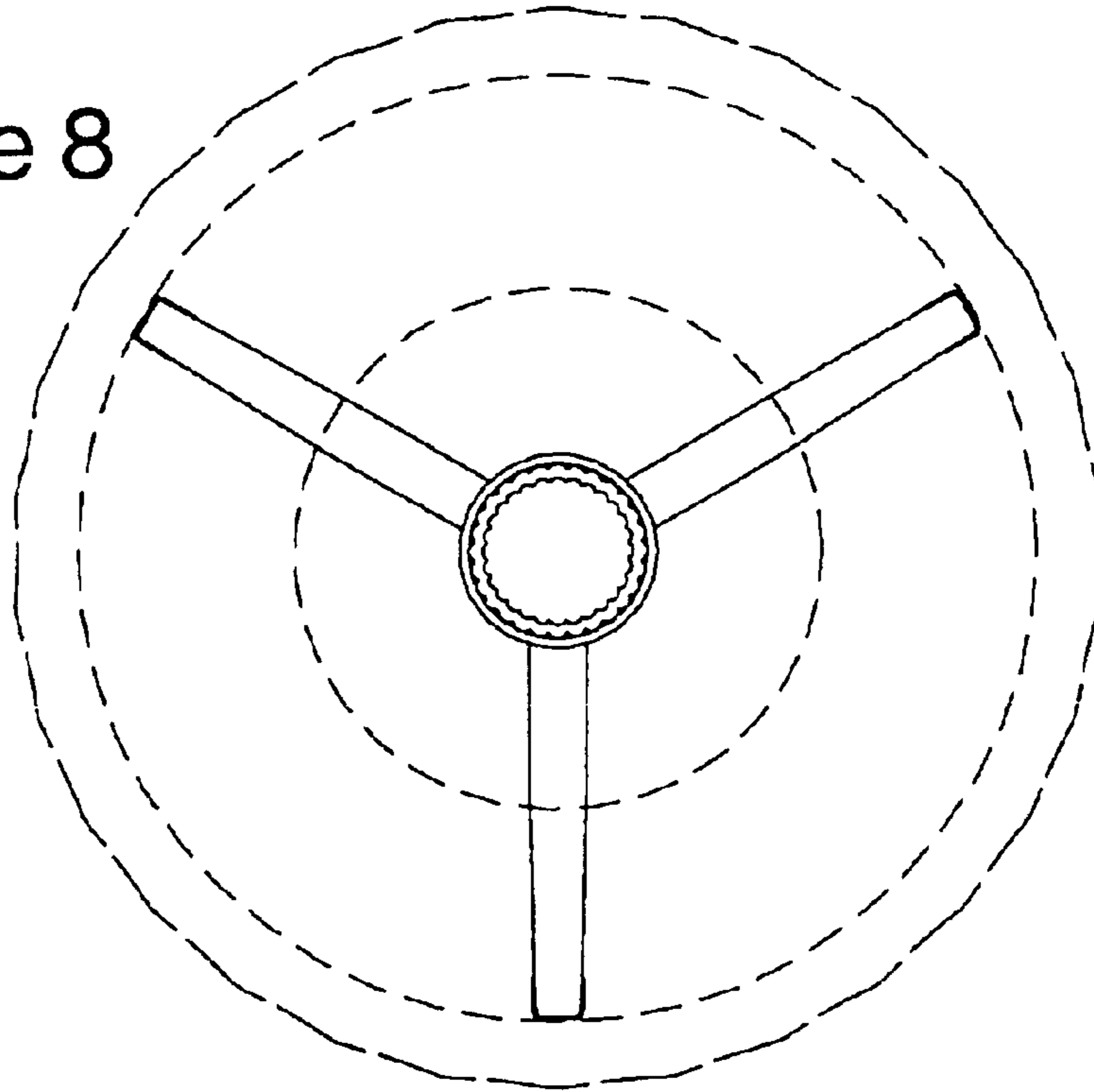


Figure 7

