

US00D492515S1

(12) **United States Design Patent**  
**Domack**

(10) **Patent No.:** **US D492,515 S**  
(45) **Date of Patent:** **\*\* Jul. 6, 2004**

- (54) **PEDESTAL TABLE**
- (75) Inventor: **Randy D. Domack**, Trempealeau, WI (US)
- (73) Assignee: **Ashley Furniture Industries, Inc.**, Arcadia, WI (US)
- (\*\*) Term: **14 Years**
- (21) Appl. No.: **29/181,777**
- (22) Filed: **May 14, 2003**
- (51) **LOC (7) Cl.** ..... **06-03**
- (52) **U.S. Cl.** ..... **D6/480; D6/430**
- (58) **Field of Search** ..... D6/480-489, 495, D6/499, 497, 451, 429, 430; 108/150, 153.1, 155, 156, 157.1, 161, 83; 248/188, 188.1, 188.8

D479,071 S \* 9/2003 Berry et al. .... D6/511  
D486,983 S \* 2/2004 O'Hare ..... D6/480

**OTHER PUBLICATIONS**

British Khaki Furniture, "263 Guerin Dining Table," www.britishkhaki.com.

\* cited by examiner

*Primary Examiner*—Janice Seeger

(74) *Attorney, Agent, or Firm*—Patterson, Thuente, Skaar & Christensen, P.A.

(57) **CLAIM**

I claim the ornamental design for a pedestal table, as shown.

**DESCRIPTION**

FIG. 1 is a top view of a pedestal table according to an embodiment of the invention.

FIG. 2 is a side elevational view of a pedestal table according to an embodiment of the invention. The other side being a mirror-image thereof.

FIG. 3 is a front elevational view of a pedestal table according to an embodiment of the invention. The back view being a mirror-image thereof; and,

FIG. 4 is a left front perspective view of a pedestal table according to an embodiment of the invention.

(56) **References Cited**

**U.S. PATENT DOCUMENTS**

- D236,402 S \* 8/1975 Lubke ..... D6/487
- D323,086 S \* 1/1992 Arcese et al. .... D6/480
- D388,979 S \* 1/1998 Walters et al. .... D6/480
- D394,767 S 6/1998 Nourse
- D404,596 S 1/1999 Luong et al.
- D446,974 S \* 8/2001 Muller ..... D6/480

**1 Claim, 4 Drawing Sheets**

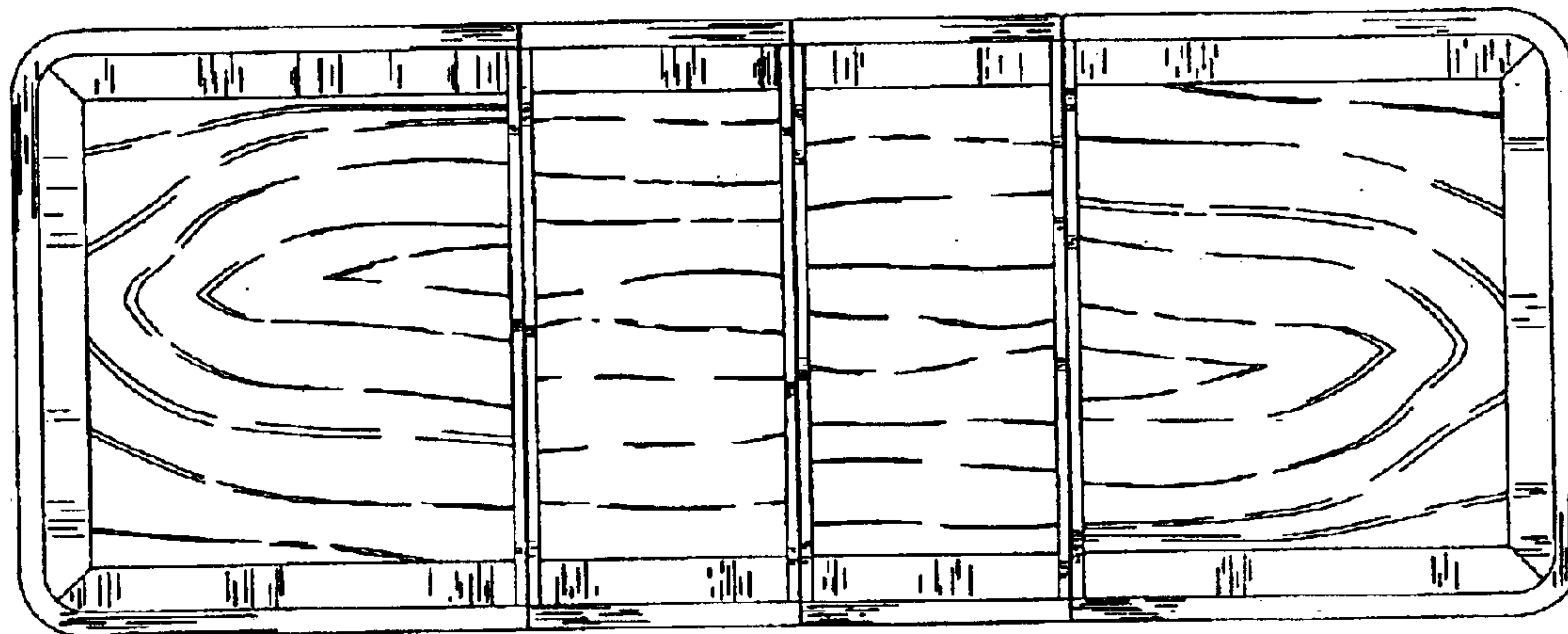


FIG. 1

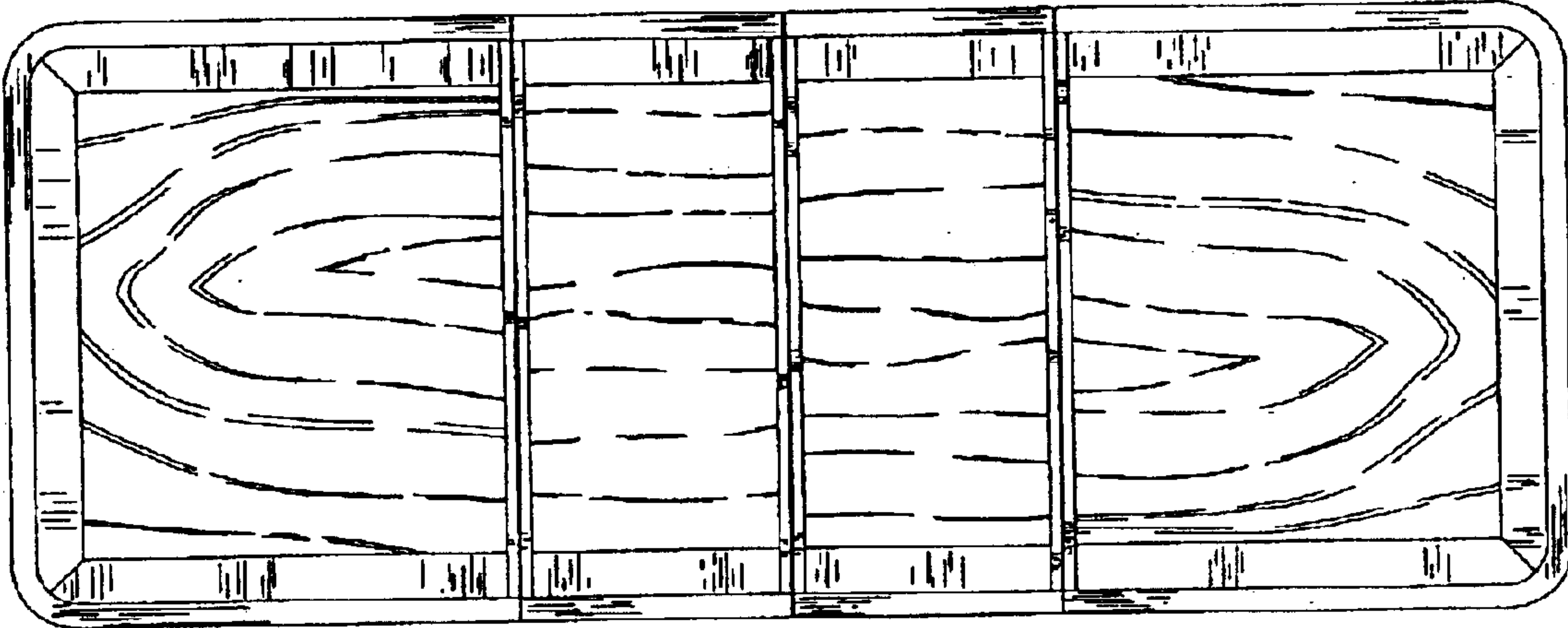


FIG. 2

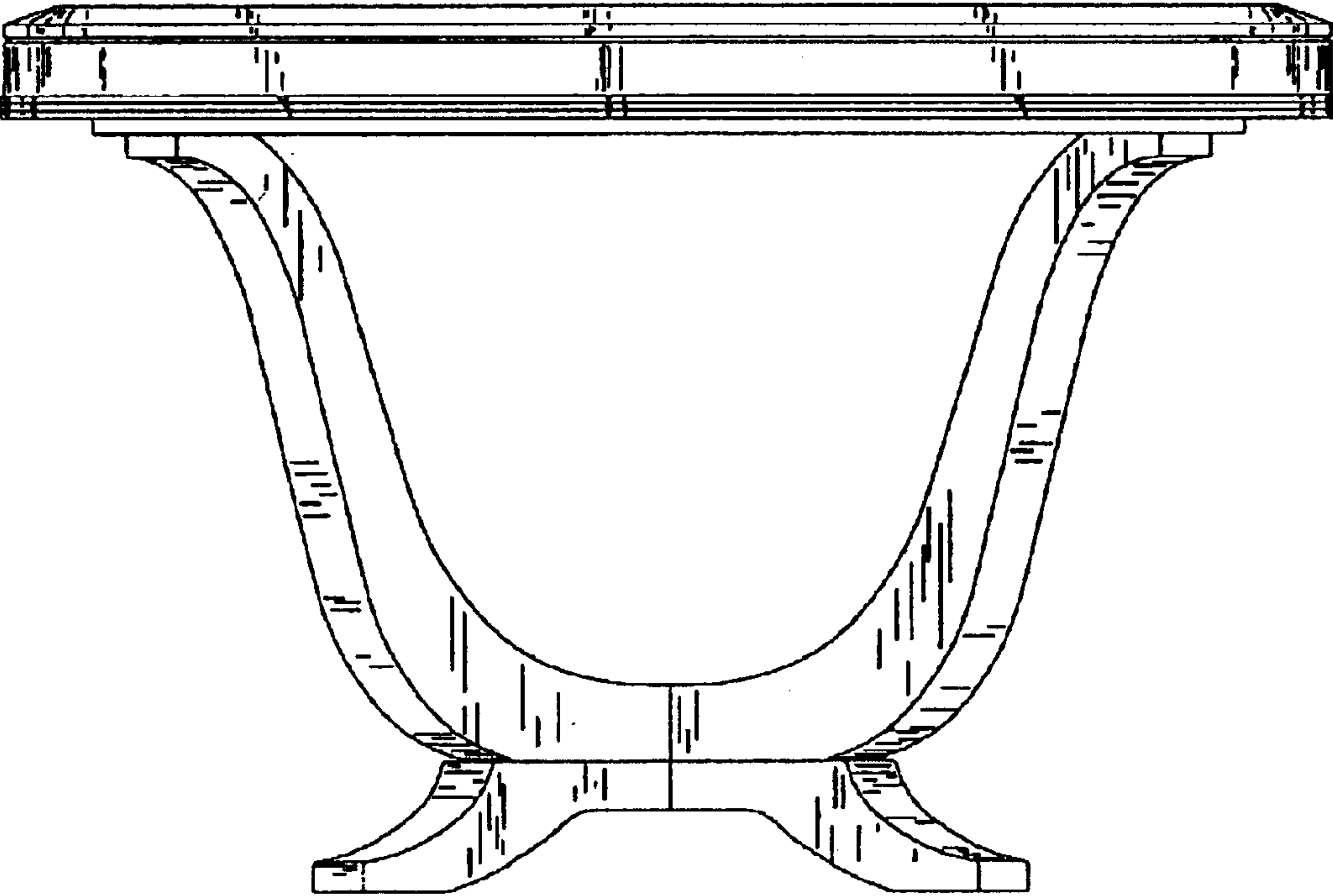


FIG. 3

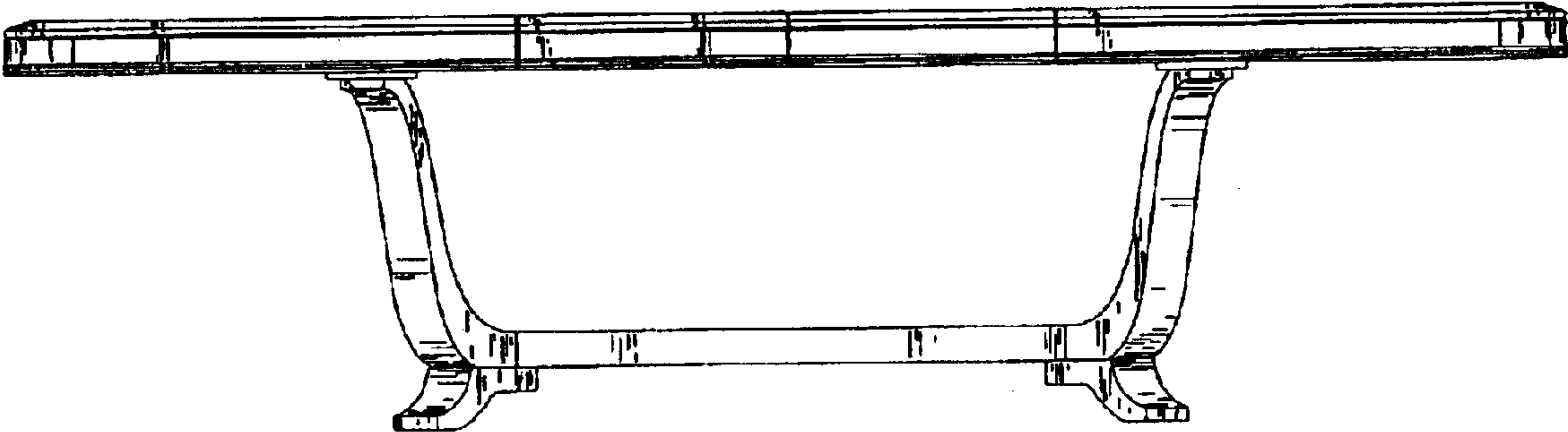


FIG. 4

