



US00D492510S1

(12) **United States Design Patent**
Greenburg

(10) **Patent No.:** **US D492,510 S**
(45) **Date of Patent:** **** Jul. 6, 2004**

(54) **PREPACKAGED FOOD DISPLAY**
(75) Inventor: **Mark Greenburg**, Paradise Valley, AZ (US)
(73) Assignee: **J. H. Trademark Company, LLC**, Paradise Valley, AZ (US)
(**) Term: **14 Years**

Primary Examiner—Cathron C. Brooks
(74) *Attorney, Agent, or Firm*—Schmeiser, Olsen & Watts LLP

(57) **CLAIM**

The ornamental designs for the prepackaged food display, as shown and described.

(21) Appl. No.: **29/169,687**
(22) Filed: **Oct. 23, 2002**
(51) **LOC (7) Cl.** **06-04**
(52) **U.S. Cl.** **D6/466; D6/475**
(58) **Field of Search** D6/396, 397, 449, D6/466, 470, 471, 474, 475, 450; D15/79, 81-83, 89; D7/339-341, 351, 601; 206/320; 312/117, 237, 278, 279; 211/11, 85.4, 85.6, 14, 55, 72, 59.2

DESCRIPTION

FIG. 1 is a front perspective view of a first design for a food display;
FIG. 2 is a back perspective view thereof;
FIG. 3 is a front view thereof;
FIG. 4 is a left side view thereof, the right side view thereof is a mirror image of the left side view.
FIG. 5 is a front perspective view of a second embodiment of the food display;
FIG. 6 is a back perspective view thereof; and,
FIG. 7 is a left side view thereof, the right side view thereof is a mirror image of the left side view.

The front view thereof is identical to that of the first design herein, illustrated in FIG. 3.

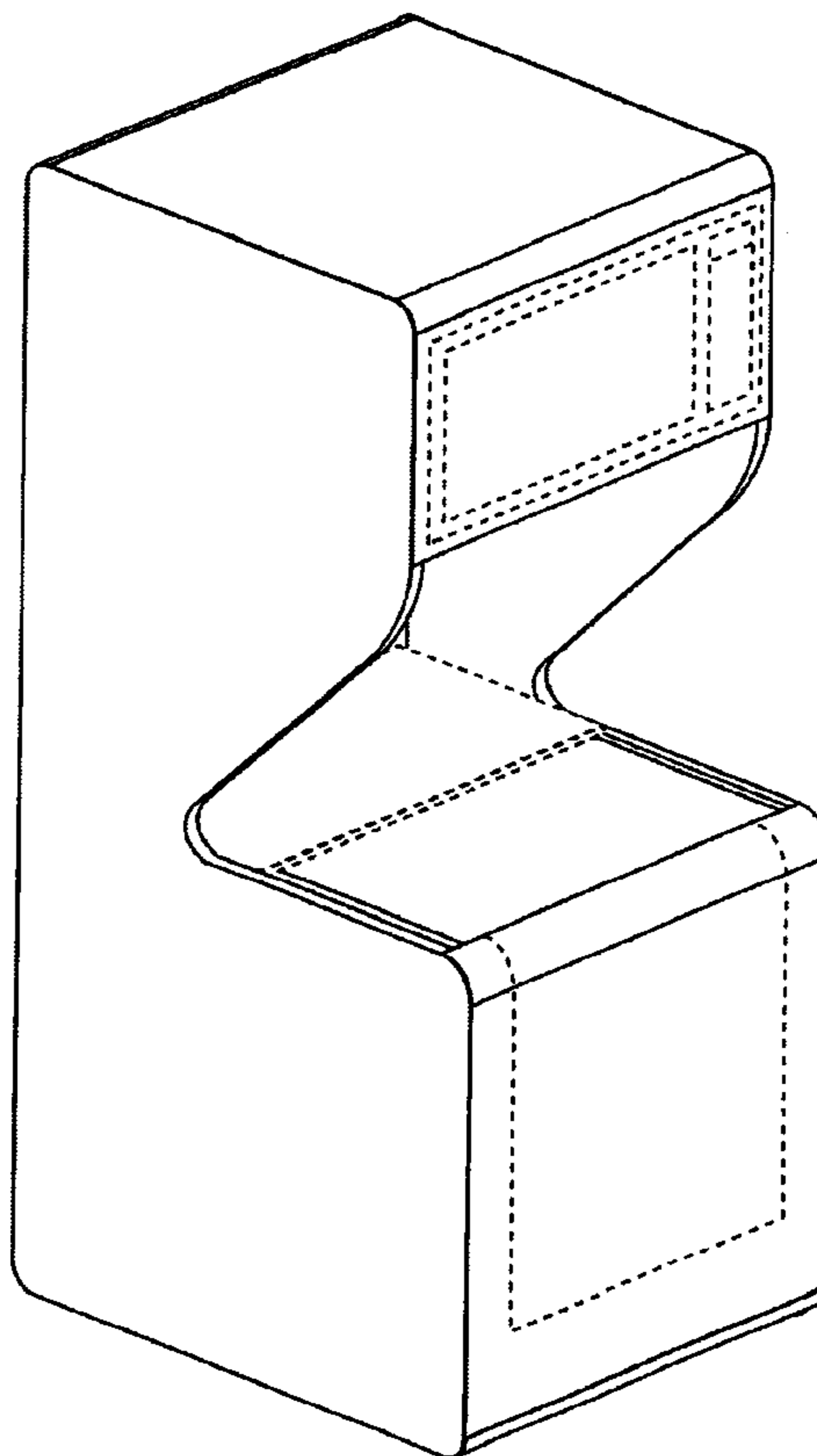
The broken lines shown are for illustrative purposes only and form no part of the claimed design.

(56) **References Cited**
U.S. PATENT DOCUMENTS

4,245,871 A	*	1/1981	Rex	312/7.2
D261,966 S	*	11/1981	Rex	D6/438
4,605,130 A	*	8/1986	Taub	211/72 X
D293,120 S	*	12/1987	Prins	D21/325
D438,403 S	*	3/2001	Greenburg	D6/466
D452,393 S	*	12/2001	Bedard	D6/450

* cited by examiner

1 Claim, 7 Drawing Sheets



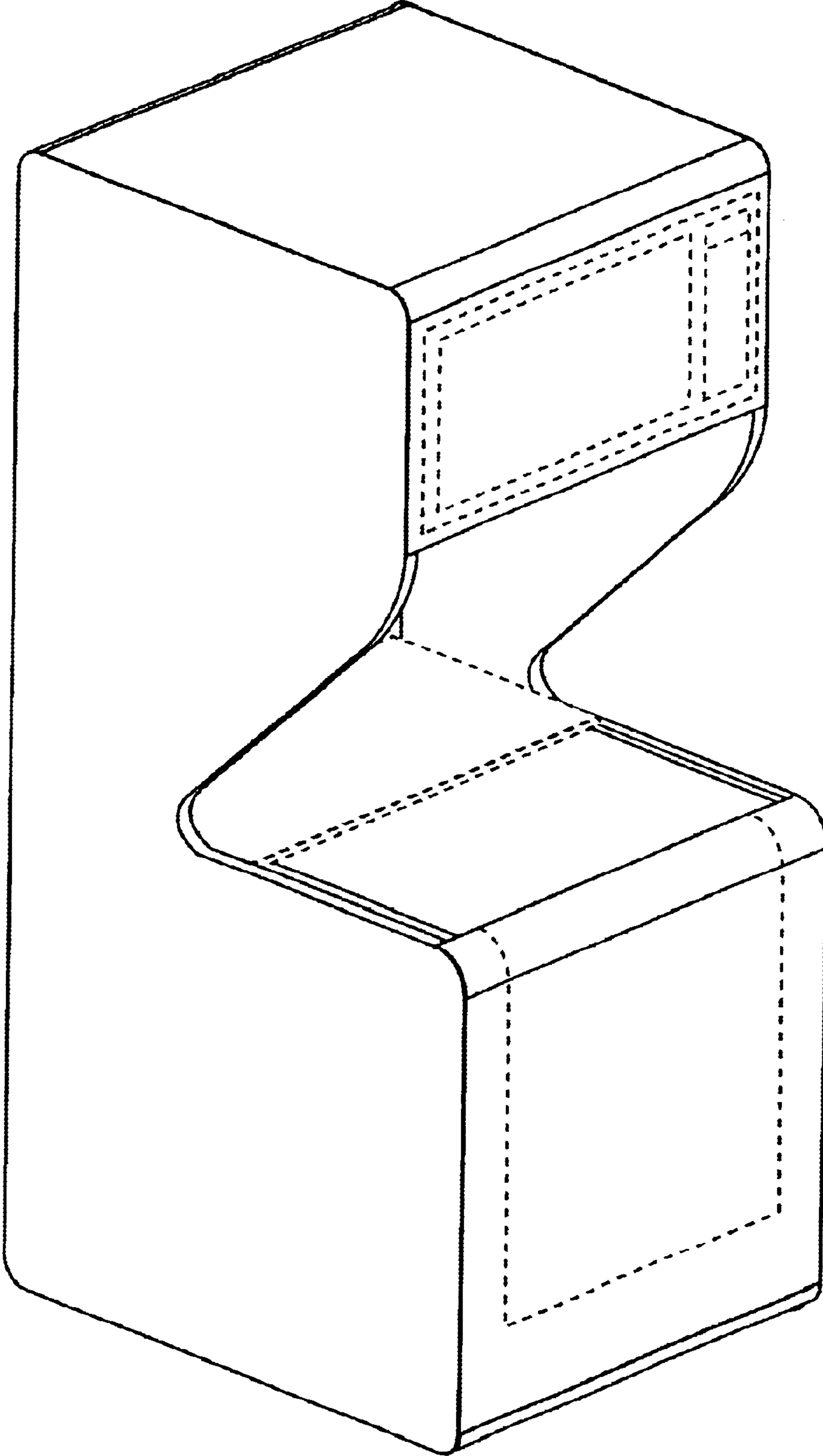


FIG. 1

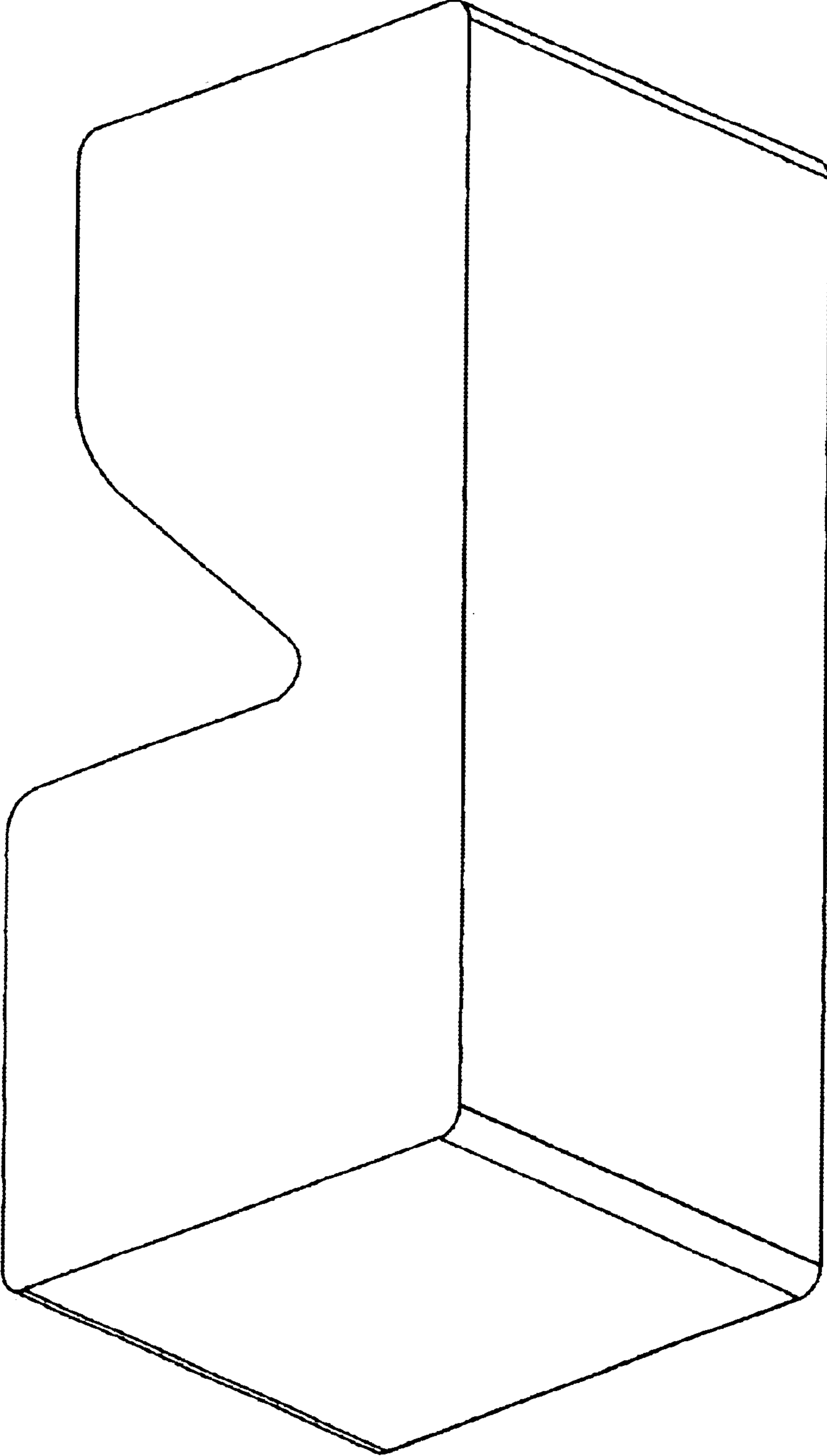


FIG. 2

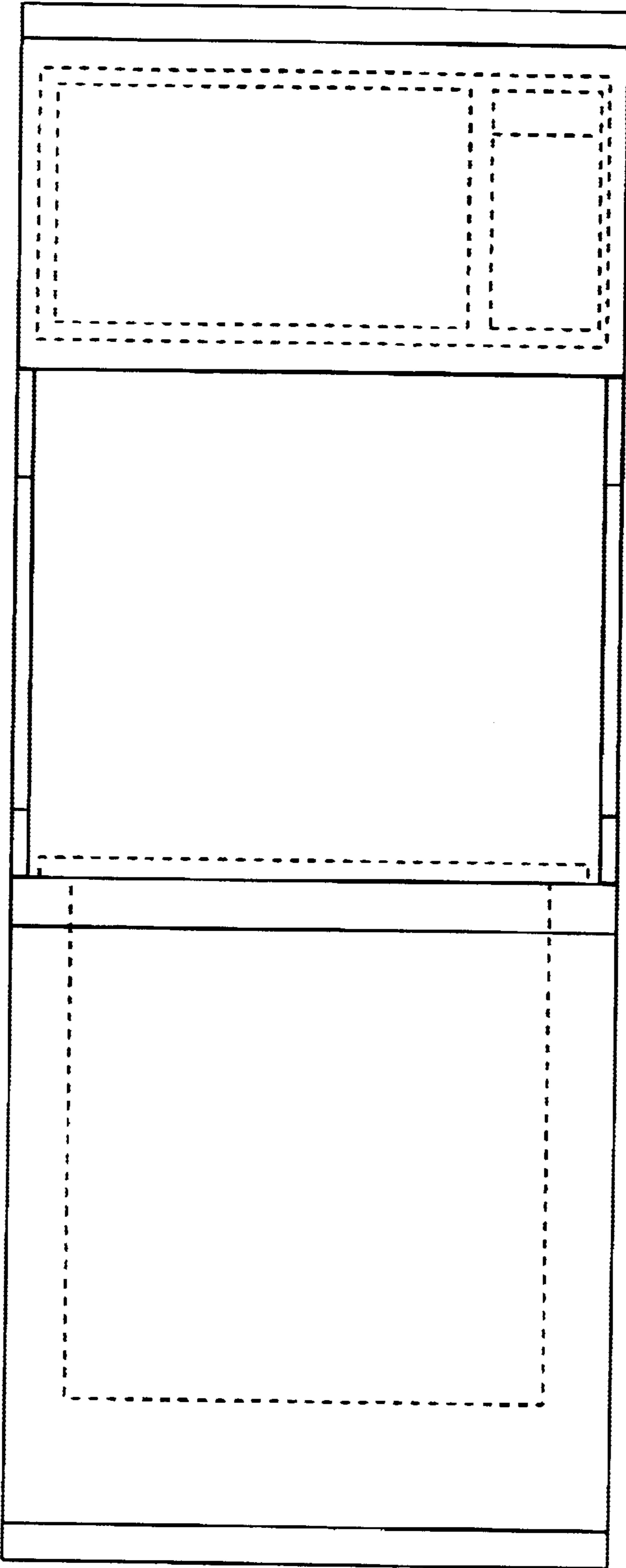


FIG. 3

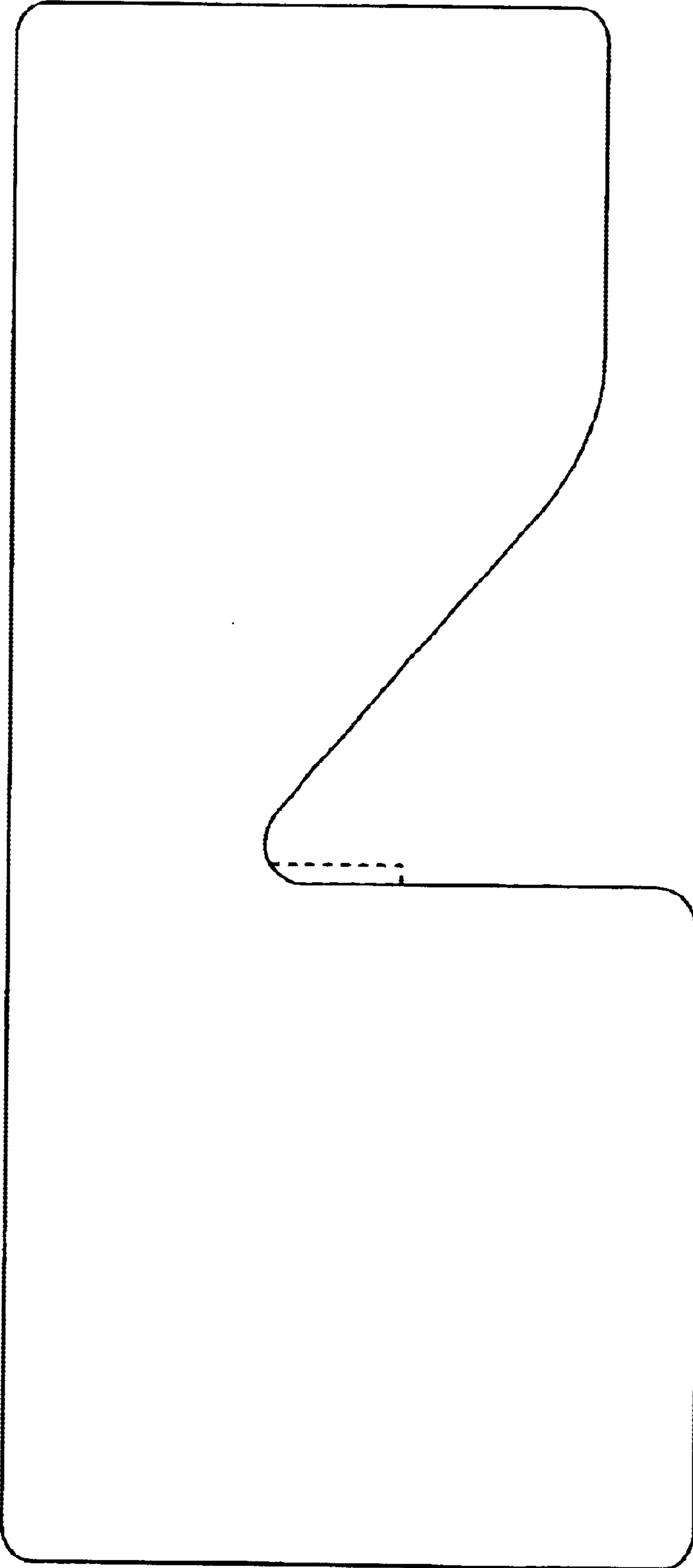


FIG. 4

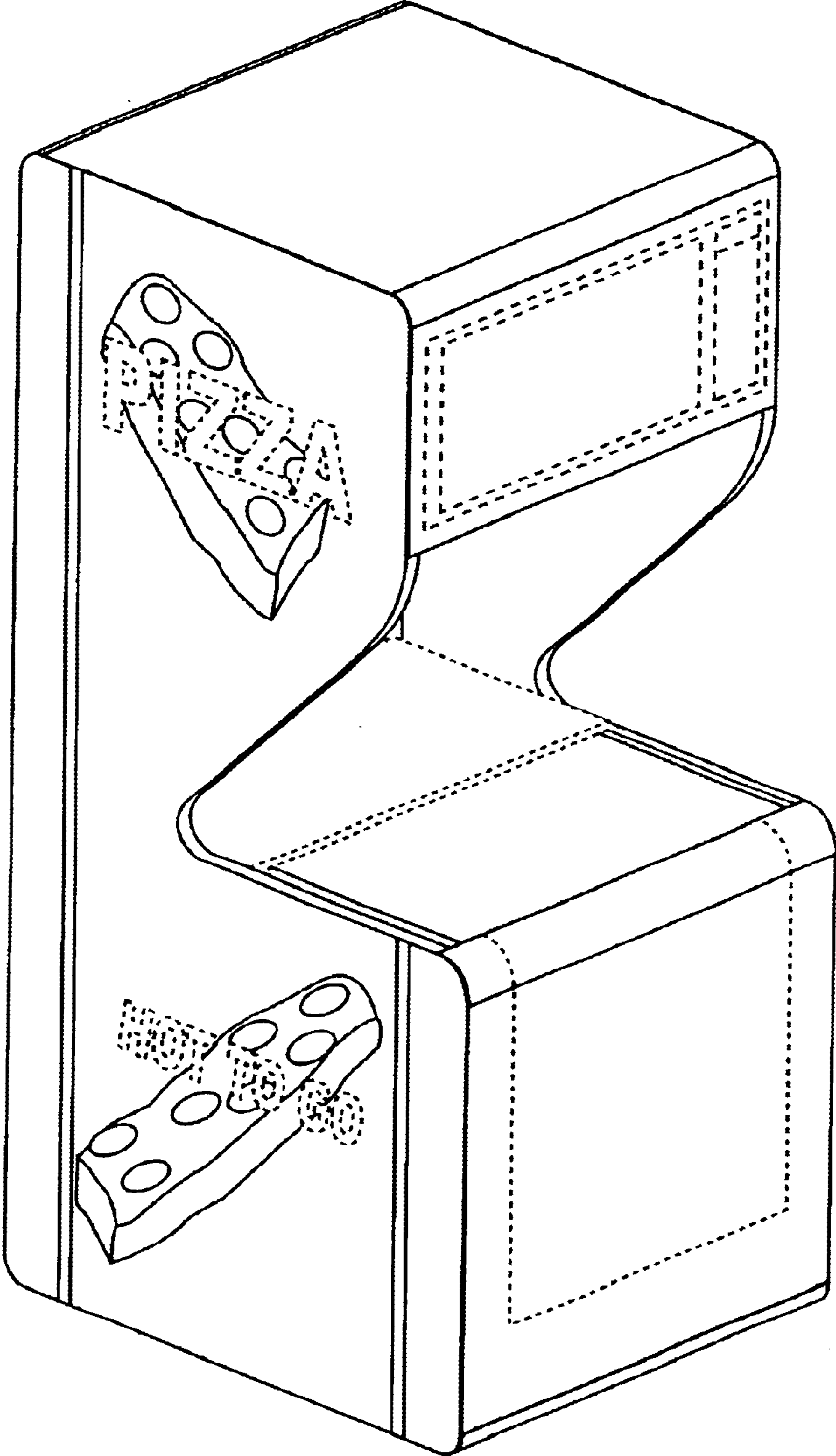


FIG. 5

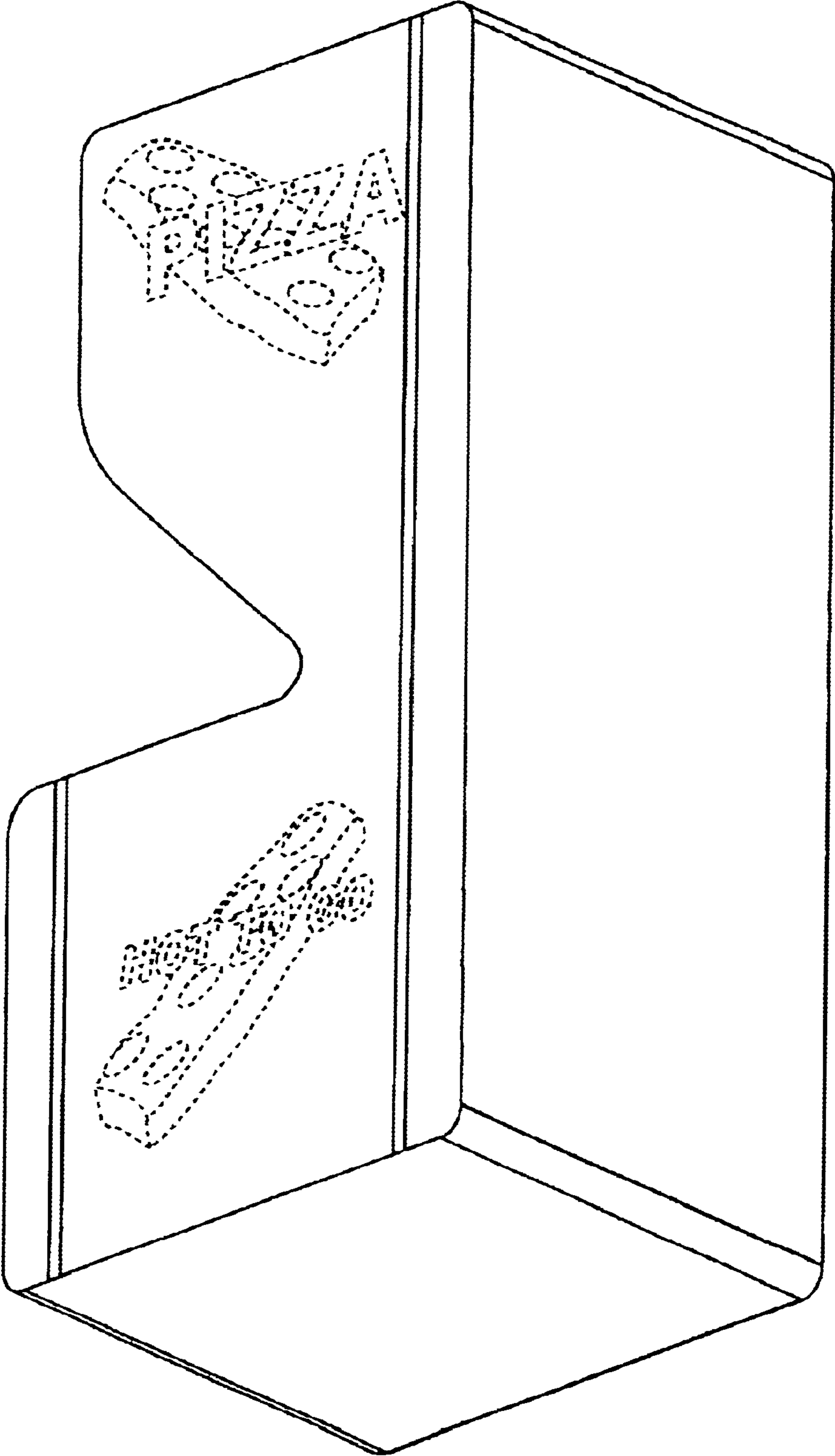


FIG. 6

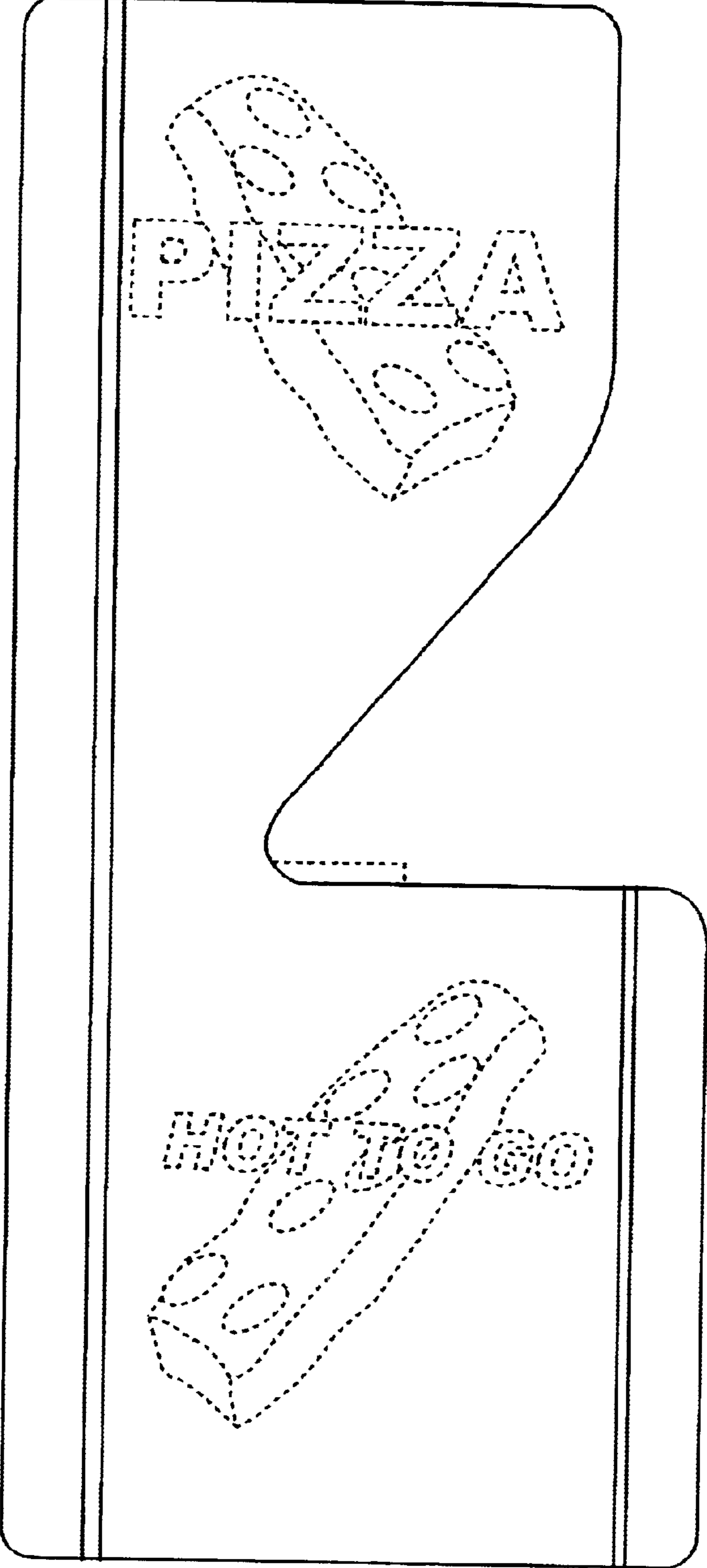


FIG. 7